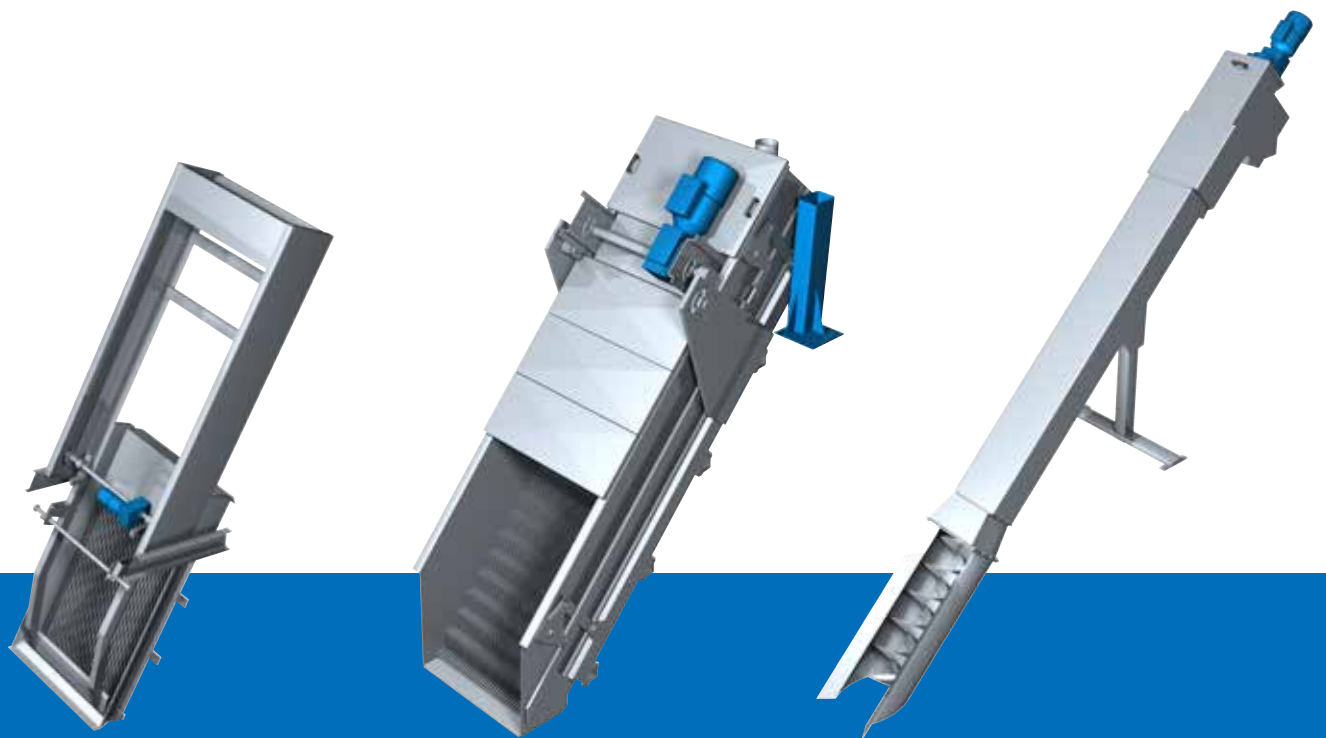




Wastewater Screening Equipment

Comprehensive Product Line
For The Effective Screening
of Wastewater



ConClimber Coarse Bar Screen

ConCable Coarse Screen

ConStep Fine Step Screen

ConSieve Screw Screen

ConDrum Externally Fed Drum Screen

Handling of Screening

Comprehensive Product Line For The Effective Screening of Wastewater

ConPura has a wide range of equipment for the effective screening of wastewater in municipal and industrial wastewater treatment plants. The line includes a widely used range of screw and drum screens as well as fine step screens and coarse climber screens. When you choose products from ConPura you can rest assured that the plant will meet all applicable regulations.

The ConPura Line of Screening Equipment Includes:

ConClimber Coarse Bar Screen – for pump stations and treatment plants.

ConCable Coarse Screen – enclosed screen for limited ceiling heights.

ConStep Fine Step Screen – step screen for solids in wastewater.

ConSieve Screw Screen – designed for efficient handling of screenings.

Both inclined and vertical installations available.

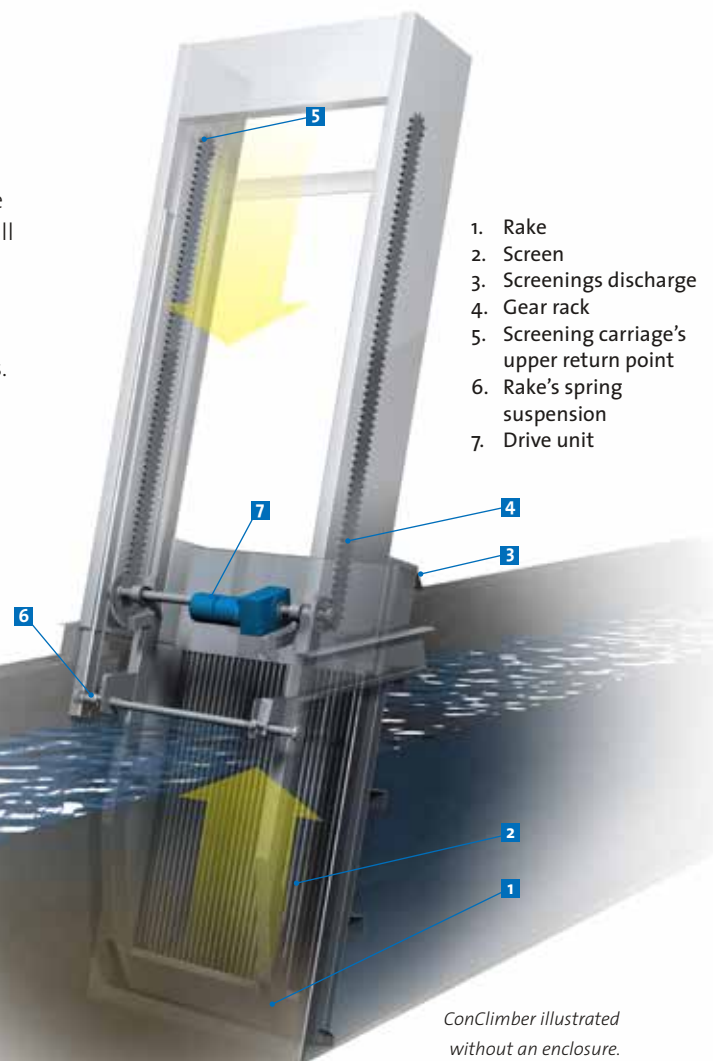
ConDrum Externally Fed Drum Screen – For the effective removal of screenings.

ConClimber Coarse Bar Screen

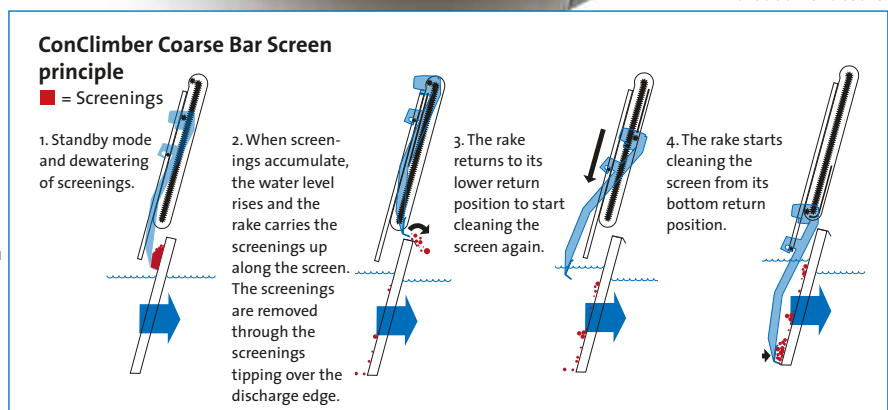
The ConClimber is intended for installation in pumping stations and treatment plants. It is an advanced coarse bar screen, based on proprietary technology and over 25 years of experience. The rack and pinion drive eliminates the need of chain adjustments and provides smooth operation. As the gear racks are fixed to the frame sides, channel depth and discharge heights are unlimited.

Benefits of the ConClimber

- Coarse screen, down to a 6 mm (0.25 inch) slot width
- Stainless steel construction. Other steel available upon request.
- Very few moving parts – no chains
- Suitable for deep channels with a water depth up to 3 meters (10 feet)
- When a higher water depth occasionally occurs, the screen can be equipped with a hydraulic drive
- Width up to 3600 mm (12 feet)
- Reliable and cost-effective drive mechanism with a proprietary involute gear rack operation
- Fully enclosed construction upon request for odor control
- Robust design that is impervious to grit and large screenings
- Rake equipped with springs to extend service life and allow the clearing of large objects
- Cost saving design.



ConClimber illustrated without an enclosure.



ConCable Coarse Screen

The ConCable is a wire driven coarse screen designed for installation in deep and wide channels and is suitable for installation where ceiling heights are limited as the overall height is low in relation to other screens available on the market. The screen is available upon request fully enclosed with a control panel.

Benefits of ConCable

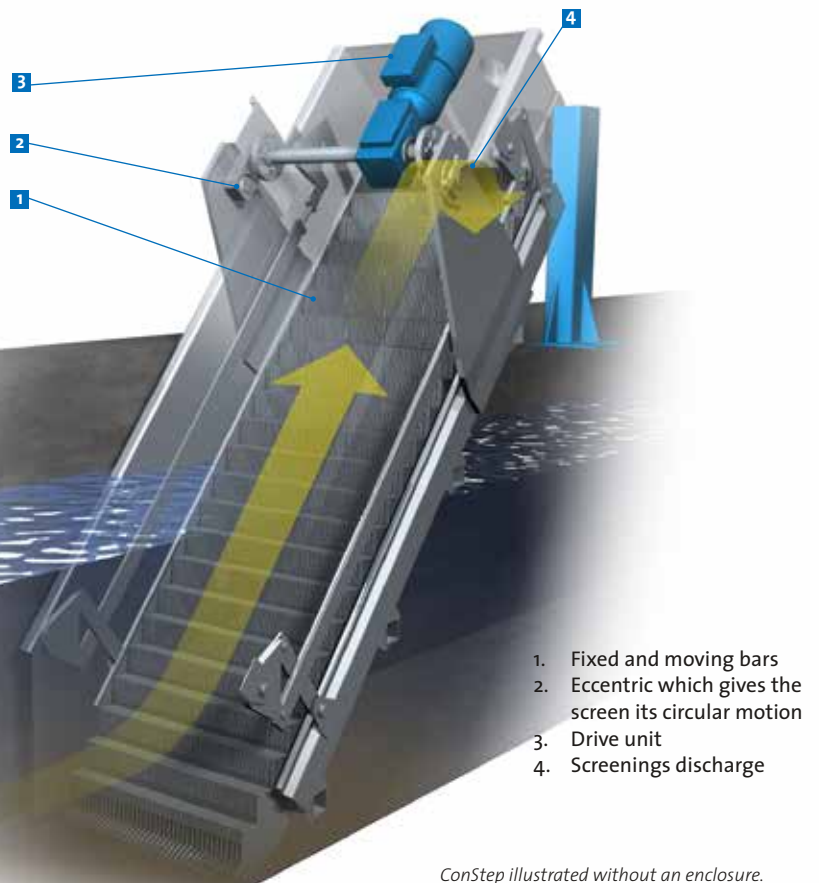
- Suitable for unlimited channel and water depths
- Available for channel widths up to 3 meters (10 feet)
- Robust design that is impervious to grit and large screenings
- Suitable for installation in new and existing installations as the required installation height is significantly lower than other brands on the market. This provides a very low total investment cost
- Wire driven rake screen with few moving parts
- Low operating and maintenance costs.

ConStep Fine Step Screen

The ConStep is a step screen designed to remove particles in wastewater. It is most commonly installed in sewage treatment plants and pumping stations. It is manufactured of all stainless steel (304 or 316) and is fully enclosed.

Benefits of the ConStep

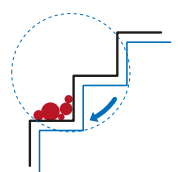
- The screen's large, open area gives a high capacity per unit area and low head loss
- Controlled transport of the screening mat ensures excellent screen performance
- A self-cleaning screen, spray wash and brushes are not necessary
- Bar spacing of 2, 3, or 6mm.
- Can be installed in smaller plants and in stainless steel tanks
- Secure bar fixing ensures exact slot width is always maintained
- Moveable lamellas rotated via link arms and shafts – no rotary parts are in contact with wastewater. No chains or sprockets.
- Fully enclosed for safety and odor control
- Low operating costs
- Service friendly pivoting design



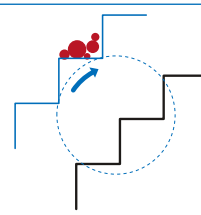
ConStep illustrated without an enclosure.

ConStep principle

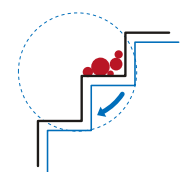
- = Screenings
- = Moving bars
- = Fixed bars



1. The moving bars work through a circular motion.



2. The screenings are lifted up from the fixed bars.



3. For each revolution the movable bars perform, the screenings are lifted one level.



View animation



View animation

ConSieve Screw Screen

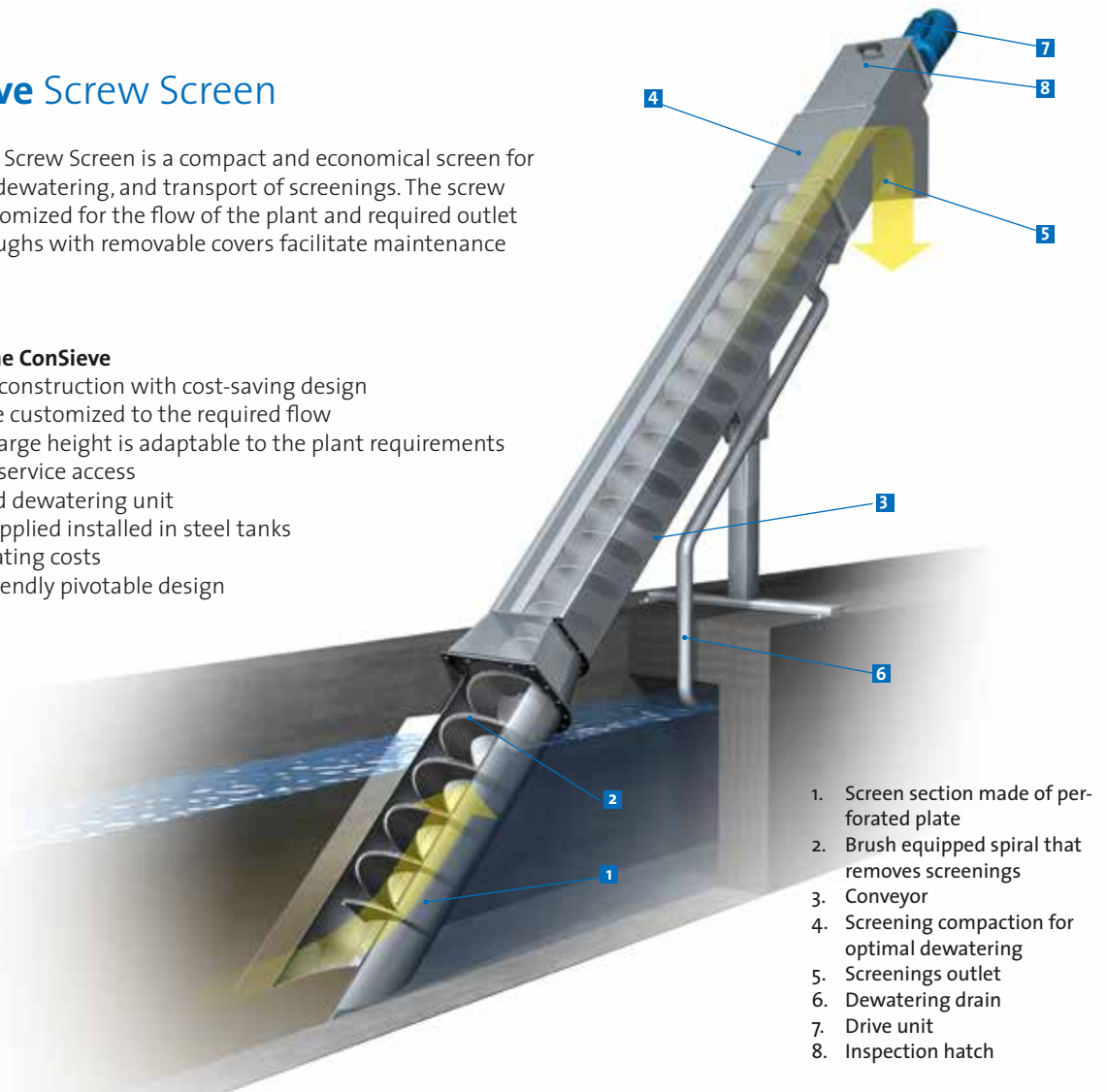
The ConSieve Screw Screen is a compact and economical screen for the removal, dewatering, and transport of screenings. The screw screen is customized for the flow of the plant and required outlet height. U-troughs with removable covers facilitate maintenance and cleaning.

Benefits of the ConSieve

- Compact construction with cost-saving design
- Screw size customized to the required flow
- The discharge height is adaptable to the plant requirements
- Excellent service access
- Integrated dewatering unit
- Can be supplied installed in steel tanks
- Low operating costs
- Service friendly pivotable design



View animation



1. Screen section made of perforated plate
2. Brush equipped spiral that removes screenings
3. Conveyor
4. Screening compaction for optimal dewatering
5. Screenings outlet
6. Dewatering drain
7. Drive unit
8. Inspection hatch

ConDrum Drum Screen

The ConDrum is an externally fed drum screen, which is ideal for use with septage trucks where screenings and solid particles need to be separated before being routed to the next process. The ConDrum can also be beneficial when used in the food industry. The drum screen is a pre treatment unit with relatively few moving parts. It consists of a drive unit and a cylinder shaped drum. The screen is supplied with slot widths of between 0.25 - 1.5 mm. The ConDrum has a stainless steel design and fully enclosed.

Benefits of ConDrum

- Drum and parts coming into contact with fluid made of stainless steel (304 or 316)
- Efficient self-cleaning during operation
- Easy to install
- Low operating and maintenance cost
- Adjustable automatic doctor blade assembly to wipe away solids.

In our offices in Mönsterås and Lund you will find tradition and knowledge. In cooperation with customers and suppliers, we concentrate on design and development of mechanical waste water products.

The project's nature and extent determines who is our closest partner. In projects we work with contractors, end users or consultants with whom we have an open dialogue to provide mutual success.

We export more than 80% of what we produce. A strong global network of knowledgeable representatives with local ties is our bridge to the world. Together we try to fulfil our common vision and ideals.

Since 1972 when the company started, the concept has so far given us more than 10,000 references to clients in more than 50 countries worldwide.



تلفن تماس: ۸ و ۸۸۳۲۴۹۳۷ - ۰۲۱

E-mail : sales@brp.co.ir



ADDRESS:

Conpura AB, Torsåsgatan 5F, 392 39 Kalmar
Sweden

TELEPHONE: +46 (0)480-770 100

E-MAIL: info@conpura.se

WEBSITE: www.conpura.se