

## Up to PL e of EN ISO 13849-1 PNOZ X3.10P



Safety relay for monitoring E-STOP pushbuttons, safety gates and light beam devices

### Approvals

PNOZ X3.10P	
	◆
	◆
	◆

### Unit features

- ▶ Positive-guided relay outputs:
  - 3 safety contacts (N/O), instantaneous
  - 1 auxiliary contact (N/C), instantaneous
- ▶ 1 semiconductor output
- ▶ Connection options for:
  - E-STOP pushbutton
  - Safety gate limit switch
  - Reset button
  - Light barriers
- ▶ LED indicator for:
  - Switch status channel 1/2
  - Supply voltage
- ▶ Semiconductor output signals:
  - Switch status channel 1/2
- ▶ Plug-in connection terminals (either spring-loaded terminal or screw terminal)
- ▶ See order reference for unit types

### Unit description

The safety relay meets the requirements of EN 60947-5-1, EN 60204-1 and VDE 0113-1 and may be used in applications with

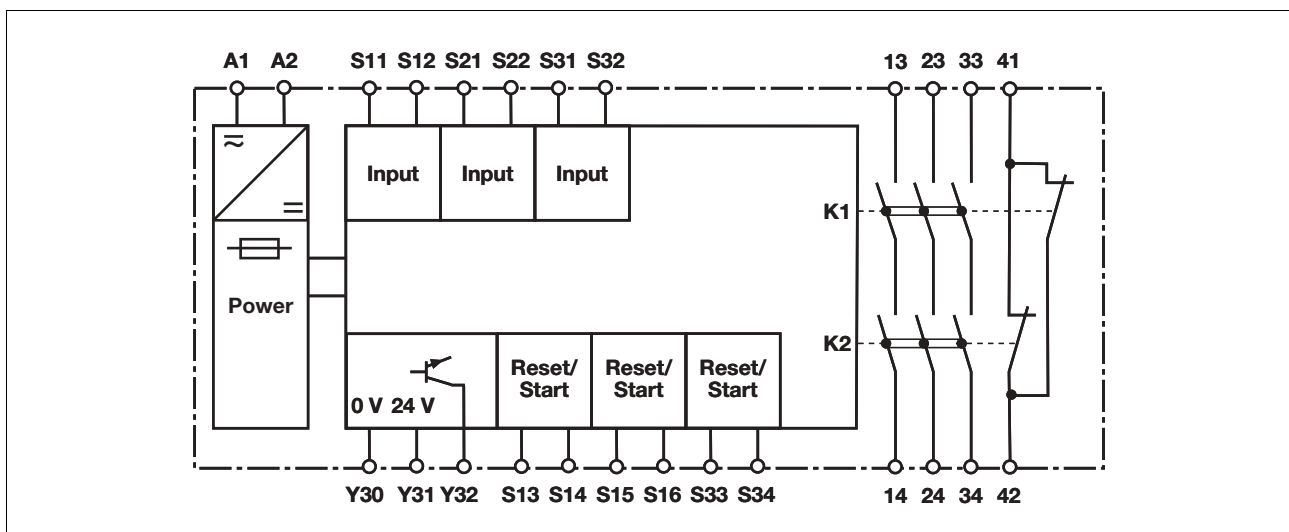
- ▶ E-STOP pushbuttons
- ▶ Safety gates
- ▶ Light beam devices

### Safety features

The relay meets the following safety requirements:

- ▶ The circuit is redundant with built-in self-monitoring.
- ▶ The safety function remains effective in the case of a component failure.
- ▶ The correct opening and closing of the safety function relays is tested automatically in each on-off cycle.

### Block diagram

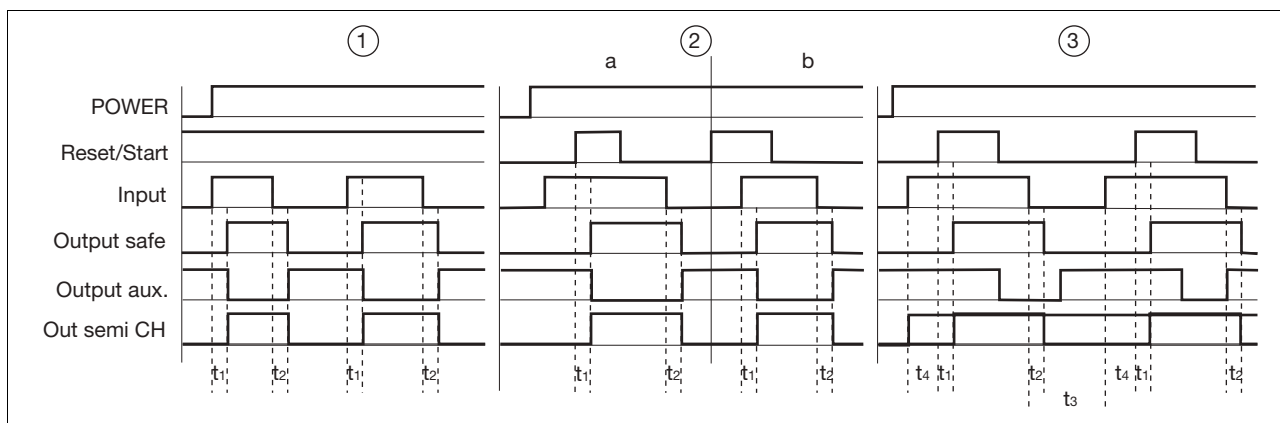


## Up to PL e of EN ISO 13849-1 PNOZ X3.10P

### Function description

- ▶ Single-channel operation: no redundancy in the input circuit, earth faults in the reset and input circuit are detected.
- ▶ Dual-channel operation with detection of shorts across contacts: redundant input circuit, detects
  - earth faults in the reset and input circuit,
- short circuits in the input circuit and, with a monitored reset, in the reset circuit too,
- shorts between contacts in the input circuit.
- ▶ Automatic start: Unit is active once the input circuit has been closed.
- ▶ Manual reset: Unit is active once the input circuit is closed and then the reset circuit is closed.
- ▶ Monitored reset: Unit is active once the input circuit is closed and once the reset circuit is closed after the waiting period has elapsed (see technical details).
- ▶ Increase in the number of available instantaneous safety contacts by connecting contact expansion modules or external contactors.

### Timing diagram



### Key

- ▶ Power: Supply voltage
- ▶ Reset/Start: Reset circuit S13-S14, S33-S34
- ▶ Input: Input circuits S11-S12, S21-S22, S31-S32
- ▶ Output safe: Safety contacts 13-14, 23-24, 33-34
- ▶ Output aux.: Auxiliary contacts 41-42
- ▶ Out semi CH: Semiconductor output switch status Y32
- ▶ ①: Automatic reset
- ▶ ②: Manual reset
- ▶ ③: Monitored reset
- ▶ a: Input circuit closes before reset circuit
- ▶ b: Reset circuit closes before input circuit
- ▶  $t_1$ : Switch-on delay
- ▶  $t_2$ : Delay-on de-energisation
- ▶  $t_3$ : Recovery time
- ▶  $t_4$ : Waiting period

### Wiring

Please note:

- ▶ Information given in the “Technical details” must be followed.
- ▶ Outputs 13-14, 23-24, 33-34 are safety contacts, output 41-42 is an auxiliary contact (e.g. for display).
- ▶ To prevent contact welding, a fuse should be connected before the output contacts (see technical details).
- ▶ Calculation of the max. cable runs  $l_{max}$  in the input circuit:

$$l_{max} = \frac{R_{lmax}}{R_l / km}$$

$R_{lmax}$  = max. overall cable resistance (see technical details)

$R_l / km$  = cable resistance/km

- ▶ Use copper wire that can withstand 60/75 °C.
- ▶ Sufficient fuse protection must be provided on all output contacts with capacitive and inductive loads.

## Up to PL e of EN ISO 13849-1 PNOZ X3.10P

### Preparing for operation

► Supply voltage

Supply voltage	AC	DC

► Input circuit

Input circuit	Single-channel	Dual-channel
E-STOP <b>without</b> detection of shorts across contacts		
E-STOP <b>with</b> detection of shorts across contacts		
Safety gate <b>without</b> detection of shorts across contacts		
Safety gate <b>with</b> detection of shorts across contacts		
Light beam device <b>with</b> detection of shorts across contacts via ESPE		

## Up to PL e of EN ISO 13849-1 PNOZ X3.10P

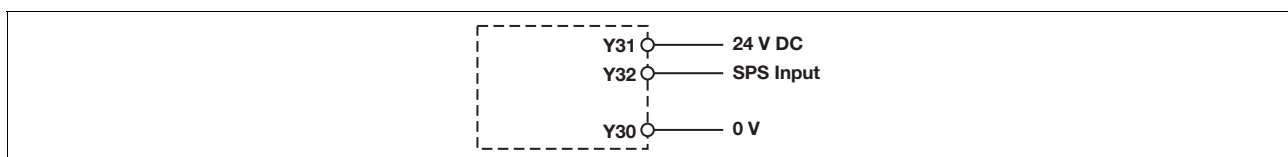
### ▶ Reset circuit

Reset circuit	E-STOP wiring, safety gate	Safety gate (dual-channel)
Automatic reset		
Manual reset		
Monitored reset		

### ▶ Feedback circuit

Feedback circuit	Automatic reset	Monitored reset
Contacts from external contactors		

### ▶ Semiconductor output

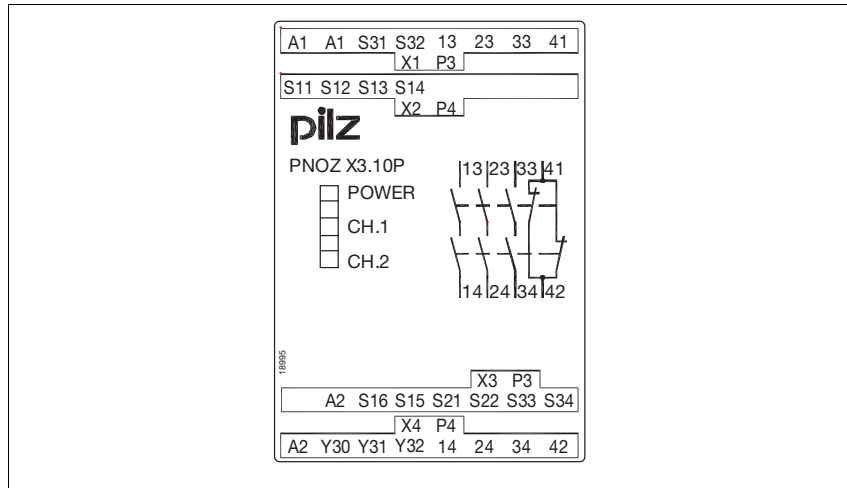


### ▶ Key

S1/S2	E-STOP/safety gate switch
S3	Reset button
	Switch operated
	Gate open
	Gate closed

## Up to PL e of EN ISO 13849-1 PNOZ X3.10P

### Terminal configuration

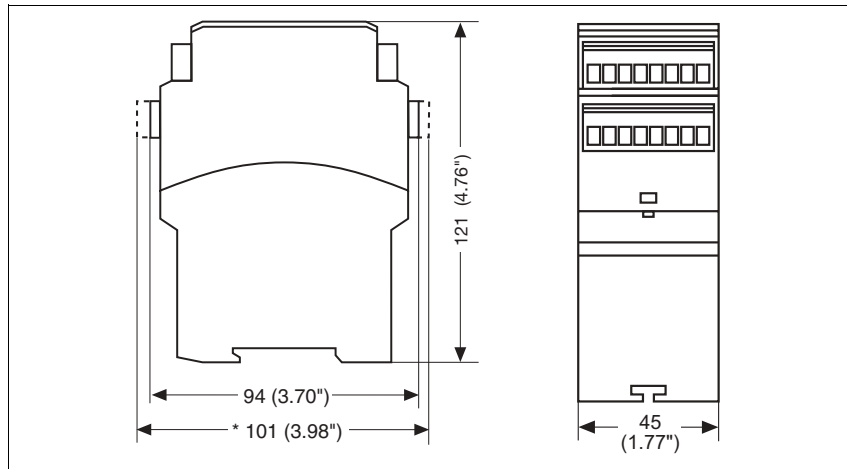


### Installation

- ▶ The safety relay should be installed in a control cabinet with a protection type of at least IP54.
- ▶ Use the notch on the rear of the unit to attach it to a DIN rail.
- ▶ Ensure the unit is mounted securely on a vertical DIN rail (35 mm) by using a fixing element (e.g. retaining bracket or an end angle).

### Dimensions

\* with spring-loaded terminals

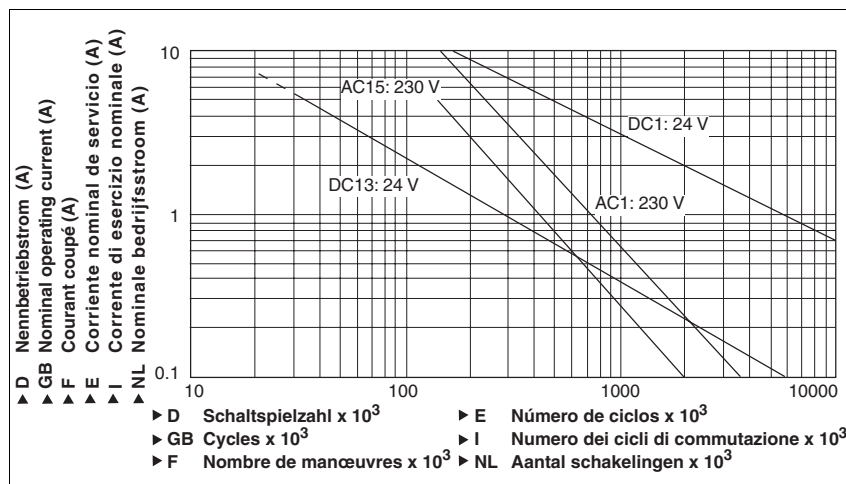


## Up to PL e of EN ISO 13849-1 PNOZ X3.10P

### Notice

This data sheet is only intended for use during configuration. For installation and operation, please refer to the operating instructions supplied with the unit.

### Service life graph



### Technical details

#### Electrical data

Supply voltage	
Supply voltage U <sub>B</sub> AC/DC	<b>24 V</b>
Voltage tolerance	<b>-15 %/+10 %</b>
Power consumption at U <sub>B</sub> AC	<b>5.0 VA</b>
Power consumption at U <sub>B</sub> DC	<b>2.5 W</b>
Frequency range AC	<b>50 - 60 Hz</b>
Residual ripple DC	<b>160 %</b>
Voltage and current at	
Input circuit DC: <b>24.0 V</b>	<b>40.0 mA</b>
Reset circuit DC: <b>24.0 V</b>	<b>70.0 mA</b>
Feedback loop DC: <b>24.0 V</b>	<b>20.0 mA</b>
Number of output contacts	
Safety contacts (S) instantaneous:	<b>3</b>
Auxiliary contacts (N/C):	<b>1</b>
Utilisation category in accordance with <b>EN 60947-4-1</b>	
Safety contacts: AC1 at <b>240 V</b>	I <sub>min</sub> : <b>0.01 A</b> , I <sub>max</sub> : <b>8.0 A</b> P <sub>max</sub> : <b>2000 VA</b>
Safety contacts: DC1 at <b>24 V</b>	I <sub>min</sub> : <b>0.01 A</b> , I <sub>max</sub> : <b>8.0 A</b> P <sub>max</sub> : <b>200 W</b>
Auxiliary contacts: AC1 at <b>240 V</b>	I <sub>min</sub> : <b>0.01 A</b> , I <sub>max</sub> : <b>8.0 A</b> P <sub>max</sub> : <b>2000 VA</b>
Auxiliary contacts: DC1 at <b>24 V</b>	I <sub>min</sub> : <b>0.01 A</b> , I <sub>max</sub> : <b>8.0 A</b> P <sub>max</sub> : <b>200 W</b>
Utilisation category in accordance with <b>EN 60947-5-1</b>	
Safety contacts: AC15 at <b>230 V</b>	I <sub>max</sub> : <b>5.0 A</b>
Safety contacts: DC13 at <b>24 V</b> (6 cycles/min)	I <sub>max</sub> : <b>6.0 A</b>
Auxiliary contacts: AC15 at <b>230 V</b>	I <sub>max</sub> : <b>5.0 A</b>
Auxiliary contacts: DC13 at <b>24 V</b> (6 cycles/min)	I <sub>max</sub> : <b>6.0 A</b>
Contact material	<b>AgSnO<sub>2</sub> + 0.2 µm Au</b>

## Up to PL e of EN ISO 13849-1 PNOZ X3.10P

<b>Electrical data</b>	
External contact fuse protection ( $I_K = 1 \text{ kA}$ ) to <b>EN 60947-5-1</b>	
Blow-out fuse, quick	
Safety contacts:	<b>10 A</b>
Auxiliary contacts:	<b>10 A</b>
Blow-out fuse, slow	
Safety contacts:	<b>6 A</b>
Auxiliary contacts:	<b>6 A</b>
Circuit breaker 24 VAC/DC, characteristic B/C	
Safety contacts:	<b>6 A</b>
Auxiliary contacts:	<b>6 A</b>
Semiconductor outputs (short circuit proof)	<b>24.0 V DC, 20 mA</b>
External supply voltage	<b>24.0 V DC</b>
Voltage tolerance	<b>-20 %/+20 %</b>
Max. overall cable resistance $R_{lmax}$ input circuits, reset circuits	
single-channel at $U_B$ DC	<b>150 Ohm</b>
single-channel at $U_B$ AC	<b>180 Ohm</b>
dual-channel without detect. of shorts across contacts at $U_B$ DC	<b>300 Ohm</b>
dual-channel without detect. of shorts across contacts at $U_B$ AC	<b>360 Ohm</b>
dual-channel with detect. of shorts across contacts at $U_B$ DC	<b>15 Ohm</b>
dual-channel with detect. of shorts across contacts at $U_B$ AC	<b>30 Ohm</b>
<b>Safety-related characteristic data</b>	
PL in accordance with <b>EN ISO 13849-1</b>	<b>PL e (Cat. 4)</b>
Category in accordance with <b>EN 954-1</b>	<b>Cat. 4</b>
SIL CL in accordance with <b>EN IEC 62061</b>	<b>SIL CL 3</b>
PFH in accordance with <b>EN IEC 62061</b>	<b>2.31E-09</b>
SIL in accordance with <b>IEC 61511</b>	<b>SIL 3</b>
PFD in accordance with <b>IEC 61511</b>	<b>2.03E-06</b>
$t_M$ in years	<b>20</b>
<b>Times</b>	
Switch-on delay	
with automatic reset typ.	<b>250 ms</b>
with automatic reset max.	<b>500 ms</b>
with automatic reset after power on typ.	<b>280 ms</b>
with automatic reset after power on max.	<b>550 ms</b>
with manual reset typ.	<b>200 ms</b>
with manual reset max.	<b>500 ms</b>
on monitored reset with rising edge typ.	<b>35 ms</b>
on monitored reset with rising edge max.	<b>50 ms</b>
Delay-on de-energisation	
with E-STOP typ.	<b>15 ms</b>
with E-STOP max.	<b>30 ms</b>
with power failure typ.	<b>180 ms</b>
with power failure max.	<b>260 ms</b>
Recovery time at max. switching frequency 1/s	
after E-STOP	<b>50 ms</b>
after power failure	<b>350 ms</b>
Waiting period with a monitored reset	
with rising edge	<b>300 ms</b>
Min. start pulse duration with a monitored reset	
with rising edge	<b>30 ms</b>
Simultaneity, channel 1 and 2	<b>∞</b>
Supply interruption before de-energisation	<b>150 ms</b>

## Up to PL e of EN ISO 13849-1 PNOZ X3.10P

Environmental data	
EMC	EN 60947-5-1, EN 61000-6-2
Vibration to EN 60068-2-6	
Frequency	10 - 55 Hz
Amplitude	0.35 mm
Climatic suitability	EN 60068-2-78
Airgap creepage in accordance with EN 60947-1	
Pollution degree	2
Overvoltage category	III
Rated insulation voltage	250 V
Rated impulse withstand voltage	4.0 kV
Ambient temperature	-20 - 55 °C
Storage temperature	-40 - 85 °C
Protection type	
Mounting (e.g. cabinet)	IP54
Housing	IP40
Terminals	IP20
Mechanical data	
Housing material	
Housing	PPO UL 94 V0
Front	ABS UL 94 V0
Cross section of external conductors with screw terminals	
1 core flexible	0.25 - 2.50 mm <sup>2</sup> , 24 - 12 AWG Order no.: 777314
2 core, same cross section, flexible:	
with crimp connectors, without insulating sleeve	0.25 - 1.00 mm <sup>2</sup> , 24 - 16 AWG Order no.: 777314
without crimp connectors or with TWIN crimp connectors	0.20 - 1.50 mm <sup>2</sup> , 24 - 16 AWG Order no.: 777314
Torque setting with screw terminals	0.50 Nm Order no.: 777314
Cross section of external conductors with spring-loaded terminals: Flexible with/without crimp connectors	0.20 - 1.50 mm <sup>2</sup> , 24 - 16 AWG Order no.: 787314
Spring-loaded terminals: Terminal points per connection	2 Order no.: 787314
Stripping length	8 mm Order no.: 787314
Dimensions	
Height	101.0 mm Order no.: 787314 94.0 mm Order no.: 777314
Width	45.0 mm
Depth	121.0 mm
Weight	270 g Order no.: 787314 280 g Order no.: 777314

The standards current on **2007-09** apply.

Conventional thermal current		
Number of contacts	$I_{th}$ (A) at $U_B$ DC	$I_{th}$ (A) at $U_B$ AC
1	8.00 A	8.00 A
2	8.00 A	7.00 A
3	7.00 A	6.00 A

Order reference			
Type	Features	Terminals	Order no.
PNOZ X3.10P C	24 VAC/DC	Spring-loaded terminals	787 314
PNOZ X3.10P	24 VAC/DC	Screw terminals	777 314