

MK3

MANUAL
BALANCING MACHINE



Features:

MK3 is a general purpose balancing machine recommended for processing small productions or to be used in testing laboratories for production development or to perform quality controls.

The unbalance correction is carried out manually by adding or removing material.

This machine is supplied with a mechanical measuring device connected to an industrial PC.

The unit is equipped with all the devices and tools necessary for rapid and secure changeover.

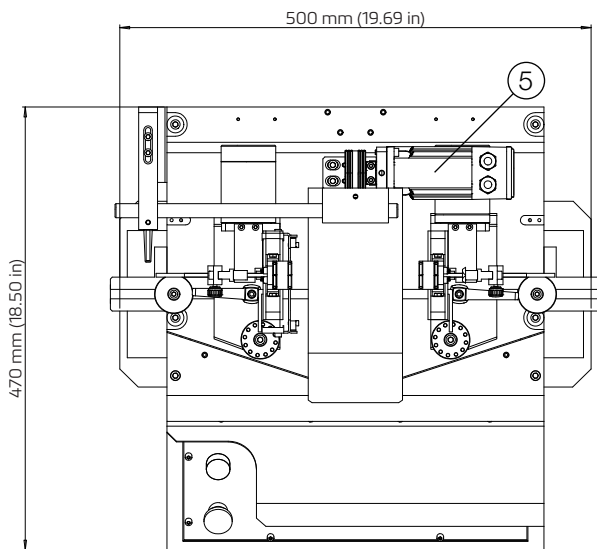
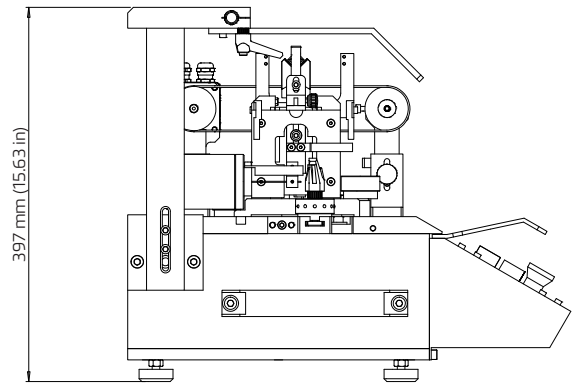
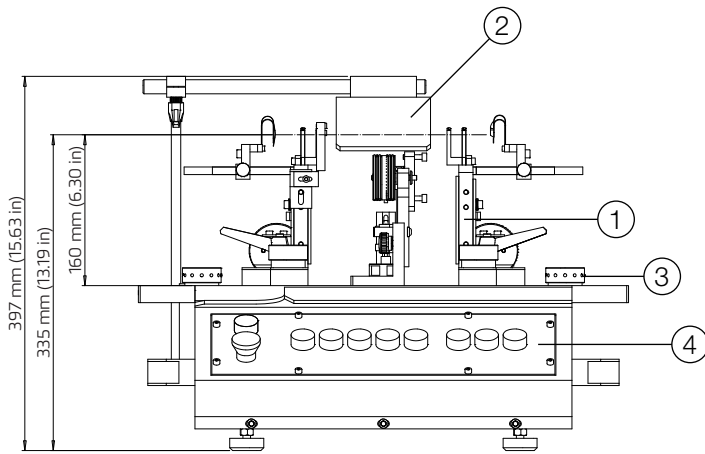
Software is available to support the operator to correct unbalances by drilling.

The standard machine includes SPC, diagnostics, safety shield.

MK3 may also be installed in an automatic line so as to act as a sorting machine (GO-GO no sorter).

Advantages:

- High accuracy
- High balancing precision
- User friendly
- Quick and precise changeover through preset mechanical stops



- 1) Measuring support
- 2) Safety shield
- 3) Revolving mechanical preset stops
- 4) Console
- 5) Spinning motor

Technical data

Parts max weight:	3 kg (6.61 lb)
Parts diameters min/max:	15-90 mm (0.59-3.54 in)
Stack lamination height min/max:	20-80 mm (0.79-3.15 in)
Unbalance measuring time:	7 s
Controlled by:	Industrial PC
Measuring accuracy:	0.1 gmm/kg max (0.04 oz.in/lb)
Power supply:	110-240 V 50/60 Hz
Power requirement:	0.3 kW

Options

Table
Tele-Service
Printer
Independent manual correction unit by drilling

TIRGAN
VIBRATION ANALYSIS & CONDITION MONITORING EQUIPMENT

www.tirgan.org info@tirgan.org

TIRGAN Co. Ltd. (Official Agent in Iran)

Add.: Unit 6, No. 52, Jouybar St, Tehran - 1415795361, IRAN

Tel. +98 21 88996360 Fax. +98 21 88992367

تیرگان تراز پایان (نماینده رسمی در ایران)

نشانی: تهران، خیابان جویبار، پلاک ۵۲، شماره ۶، کد پستی: ۱۴۱۵۷۹۵۳۶۱

تلفن: ۰۲۱-۸۸۹۹۶۳۵۸-۶۰ فکس: ۰۲۱-۸۸۹۹۲۳۶۷

Balance Systems S.r.l
Via Roberto Ruffilli, 8/10
20060 Pessano con Bornago
(Milan) - Italy
Tel. (+39) 02.9504955
Fax (+39) 02.9504977
info@balancesystems.it
www.balancesystems.com

Balance Systems



Specifications may be subject to change without notice - © 2016 | 09 | Balance Systems S.r.l.