

CLHA, CLHP Type Grease Manual Lubricator

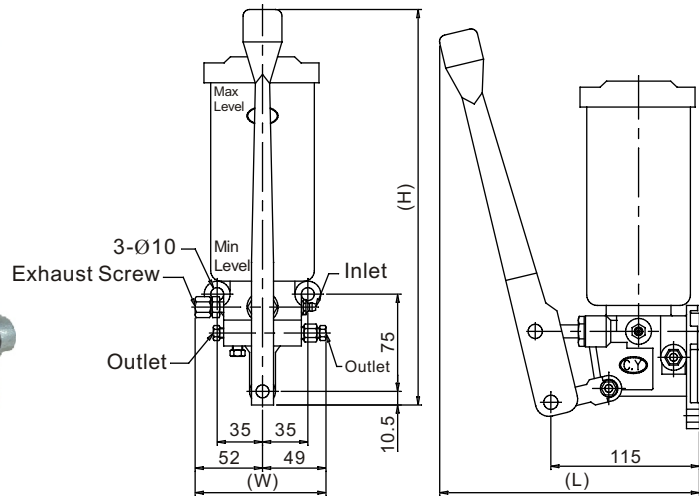


CLHA, CLHP Type Grease Manual Lubricator



CLHA-25

CLHA-20

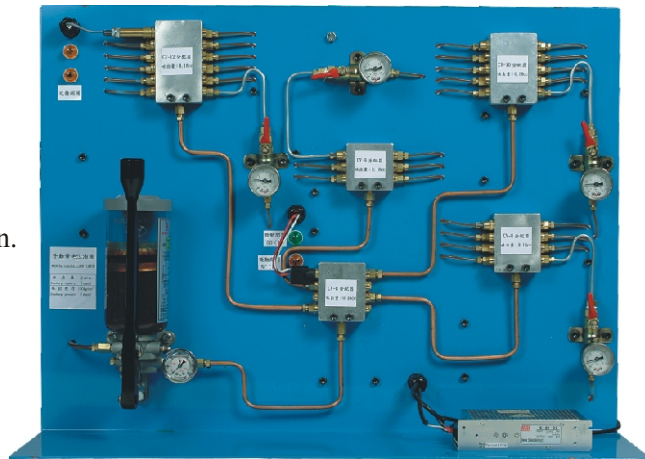


◆ Features

1. CLHA type has good tight pressing iron, which can press grease out smoothly.
2. Low cost, and high practicality.
3. Easy to operate by handling the grip for feeding oil repeatedly.
4. Small size and easy to install.
5. CLHA-25 is a new product and has to work with grease tube, which is easier to operate and keep clean.
6. CLHA type is suitable for grease NLGI grades 0 to 000, and new type CLHP type is suitable for grease NLGI grades 0 to 2.

◆ Application of Machines Equipment

1. It is suitable for the machinery that does not need to feed oil at certain time.
2. It usually works with press, woodworking or thermal treatment machinery.



The Piping of CLHA Type Grease Lubrication System

Model	Capacity	Max Volume	Max Pressure	Discharge Bore	Fixed Hole Distance(mm)	Length (mm)	Width (mm)	Height (mm)	Weight (kg)
CLHA/P-10	300cc	2 cc/stroke	100kgf/cm ²	Ø4 Ø6 Ø8 PT1/8	70	132	103	315	1.08
CLHA/P-25	400cc				70	132	103	430	1.78
CLHA/P-20	600cc				70	132	103	315	1.14
CLHA/P-35	1000cc				70, 75	166	106	345	2.20
CLHA/P-40	800cc				70	132	106	330	1.39
CLHA/P-50	2000cc				70, 75	166	120	390	2.09

◆ Order Code :

CLH	A	20	1	※
Model :		Tank Capacity	Discharge Bore	Special Request
A: suitable for grease NLGI grease 0 to 000.		10 : 300cc	0 : Ø4	
P: suitable for grease NLGI grease 0 to 2.		25 : 400cc With Grease Tube	1 : Ø6	
		20 : 600cc	2 : Ø4 (With Pressure Gauge)	
		35 : 1000cc	3 : Ø6 (With Pressure Gauge)	
		40 : 800cc	4 : Ø8	
		50 : 2000cc	5 : Ø8 (With Pressure Gauge)	
			6 : PT1/8	
			7 : PT1/8 (With Pressure Gauge)	