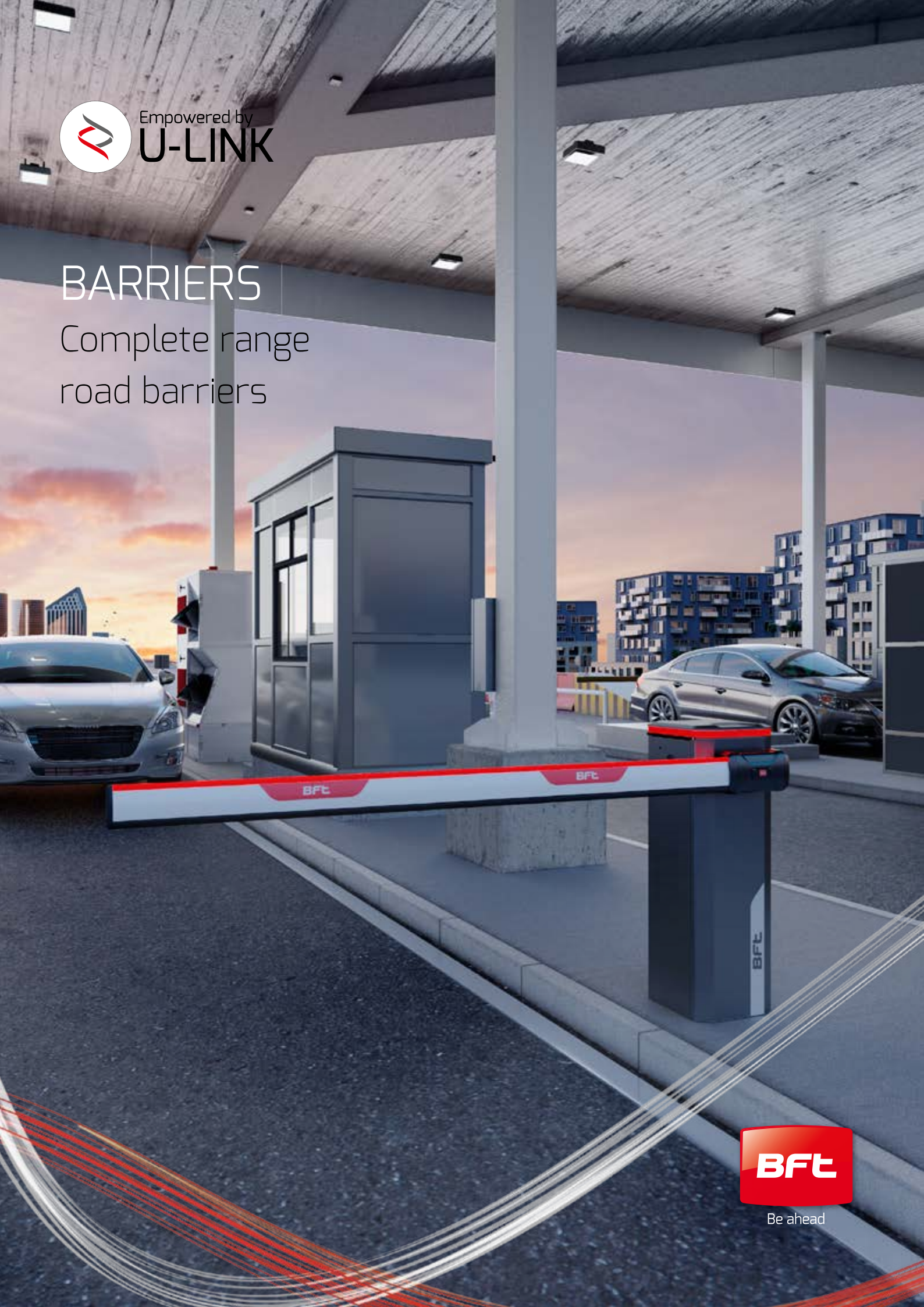




Empowered by
U-LINK

BARRIERS

Complete range
road barriers



Be ahead



New power in **your** hands.

Innovative technology that gives you more power

An industry first, exclusive from Bft, offering surprising state-of-the-art performance: U-Link is a platform that allows us to create technological ecosystems offering maximum control.

- **U-Control:** is the new Android application capable of unfurling the entire U-SBK potential in the public and trade sectors in a few easy steps.
- **U-Base 2:** makes it easy to control a system using the U-Link platform, allowing for the control of automation parameters.
- **U-SDK:** allows system integrators to establish communication between other-brand automation systems with Bft products on the U-Link platform.



B-eba

A direct link to your operators.

B-eba expansion cards connect external devices such as PCs, smartphones and tablets to a Bft operator and a Clonix receiver or connect multiple Bft products in a U-Link network. These accessories integrate with U-Link technology and with Bluetooth, Z-Wave and TCP/IP, protocols as well as with the RS485 serial interface. A device that demonstrates exactly what Bft means by interconnectivity.



Clonix U-Link

Allows you to connect legacy products and non-Bft products to U-Link systems.

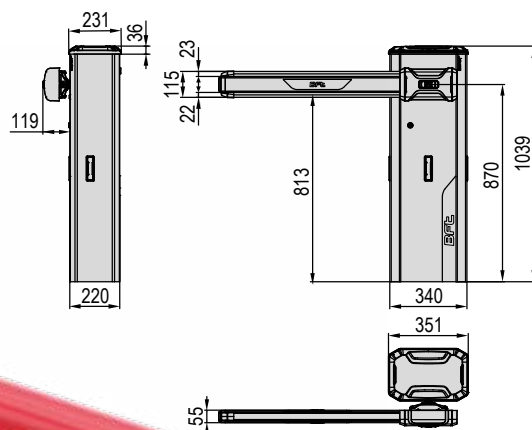
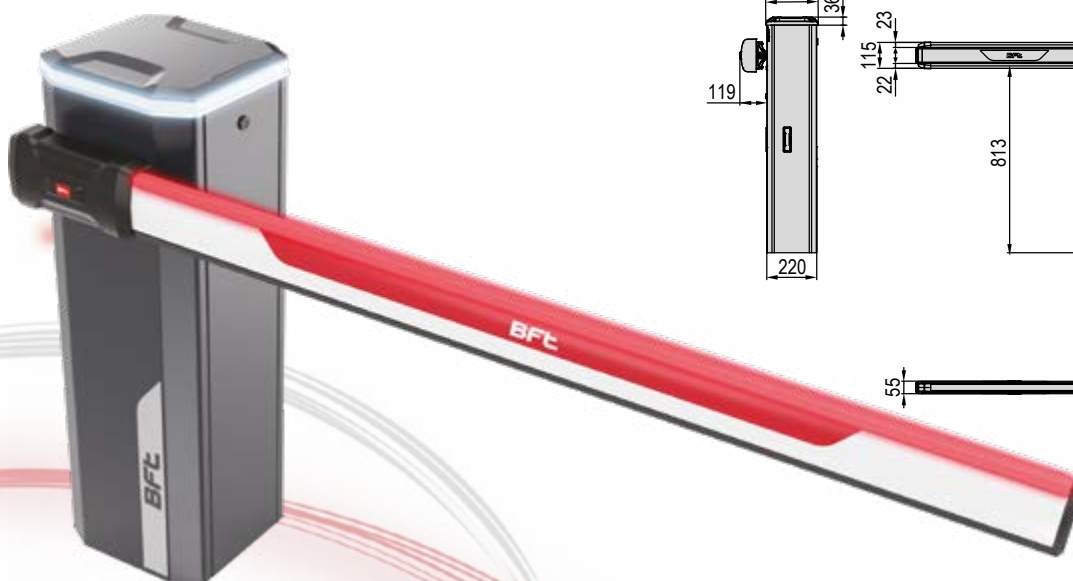
Non-native U-Link Bft operators or products affiliated to other brands: can they connect to U-Link? Yes, thanks to the Clonix receivers. Limitless accessories.



MAXIMA ULTRA 36

Automatic barrier for constant use

· Electromechanical barrier with inverter technology and three-phase asynchronous motor for high frequency use, developed and designed for a wide range of operating conditions such as large car parks, motorway toll booths with very heavy traffic levels and industrial facilities. Entrance width can be configured using electronic control unit. Mechanical crankshaft movement which can deliver fluidity of movement to the bar, whilst also controlling soft opening and closing. The same mechanism guarantees a high degree of anti-vandalism protection for the gear motor. With U-Link protocol for integration with Parking Management or Building Management systems. Thanks to the RGB illuminated cap (optional), the barrier is able to communicate via self-diagnostics any problems and indicate them with a colour code without accessing the control unit. EX4 version available for automatic opening in the event of a power cut.



U-Link



rolling code



Oil Gear



Encoder



inverter



Block



tri

FEATURES

- Constant use
- Oil bath gear motor
- One model for openings up to 6 m
- Self-diagnostics function
- Three-phase asynchronous motor with inverter
- Control unit under the cap, compatible with U-Link
- Three access points for simplified maintenance
- Anti-vandalism protection thanks to crankshaft system

DIMENSIONS

MODEL	a	b	c	d	e	f	g
MAXIMA Ultra 36	1030	110	338	45	493	870	338

TECHNICAL DETAILS

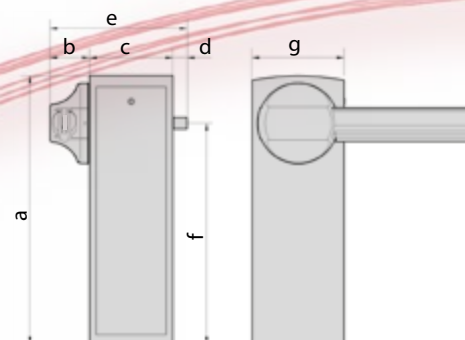
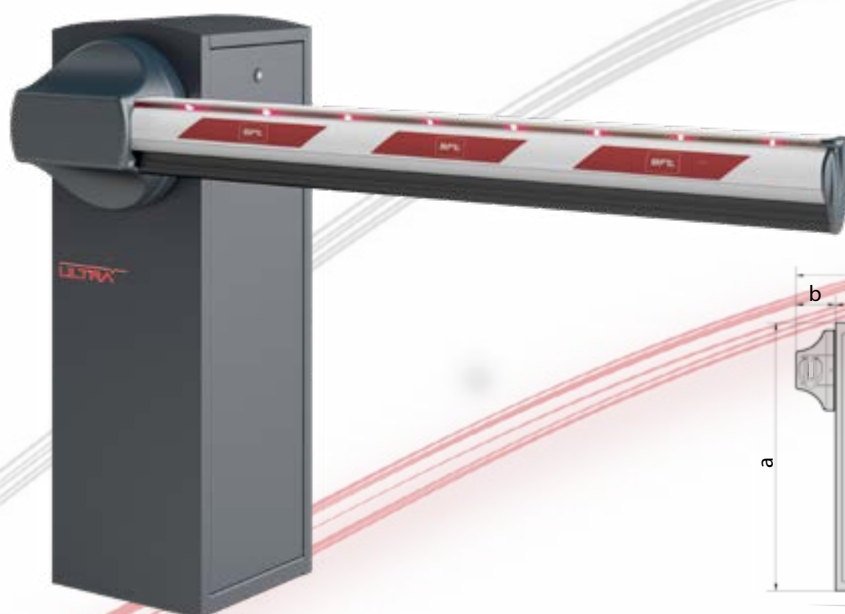
	MAXIMA ULTRA 36	MAXIMA ULTRA 36 XL	MAXIMA ULTRA 36 EX4
Opening	2 - 6 m	2 - 6 m	2 - 4 m
Frequency of use	20,000 movements/day (@3 m)	5,000 movements/day (@6 m)	20,000 movements/day (@3 m)
Opening and closing	0.7 - 3.9 sec.	0.7 - 3.9 sec.	1 - 4 sec.
Control unit	CSB Xtreme	CSB Xtreme	CSB Xtreme
Motor type	three-phase asynchronous	three-phase asynchronous	three-phase asynchronous
Gearbox type	oil bath	oil bath	oil bath
MCBF	7,000,000 movements	7,000,000 movements	7,000,000 movements
Motor power supply	230 V	230 V	230 V
Opening during power cut	-	-	EX4
Slowdown of movements	during opening and closing	during opening and closing	during opening and closing
Impact reaction	encoder	encoder	encoder
Locking	non-reversible mechanics	non-reversible mechanics	using levers
Unlocking	Manual, inside the structure	Manual, inside the structure	spontaneous in a power cut
Environmental conditions	-40°C to +60°C	-40°C to +60°C	-40°C to +60°C
Protection rating	IP55	IP55	IP55



MAXIMA ULTRA 68

Automatic barrier for very intensive/constant use.

· Range of professional 230 VAC electromechanical barriers for high frequency use with three-phase asynchronous motor with inverter. Developed and designed to operate in a wide range of operating conditions such as large car parks, motorway toll booths with very heavy traffic levels and industrial facilities. Option to configure the opening clearance using an electronic control unit. Mechanical crankshaft movement which can deliver fluidity of movement to the bar, whilst also controlling soft opening and closing. The same mechanism is able to provide a high degree of anti-vandalism protection for the gear motor. With U-Link protocol for integration with Parking Management or Building Management systems.



U-Link



rolling code



Oil Gear



Encoder



inverter



Block



tri

FEATURES

- Constant use
- Oil bath gear motor
- Three-phase asynchronous motor with inverter
- Control unit compatible with U-Link
- Anti-vandalism protection thanks to crankshaft system

DIMENSIONS

MODEL	a	b	c	d	e	f	g
MAXIMA Ultra 35	1110	120	320	40	480	950	280
MAXIMA Ultra 68	1155	170	360	60	590	950	400

TECHNICAL DETAILS

Opening
 Frequency of use
 Opening and closing
 Control unit
 Motor type
 Gearbox type
 MCBF (mean cycles between failures)
 Motor power supply
 Slowdown of movements
 Impact reaction
 Locking
 Unlocking
 Environmental conditions
 Protection rating

MAXIMA ULTRA 68

from 4 to 8 m
 3,000 movements/day
 4.5 - 6 sec.
 CSB Xtreme
 three-phase asynchronous
 oil bath
 2,000,000 movements
 230 V
 during opening and closing
 encoder
 mechanical
 inside the structure
 -30°C + 60°C
 IP54



MAXIMA

Electromechanical barrier for very intensive use.

- Range of professional 230 VAC electromechanical barriers for high frequency of use, designed to operate in a wide variety of uses, such as large car parks, motorway toll booths and industrial facilities. Mechanical movement with crankshaft which can deliver fluidity of movement to the bar, whilst also controlling soft opening and closing. The same mechanism is able to provide a high degree of anti-vandalism protection for the gear motor.



rolling code



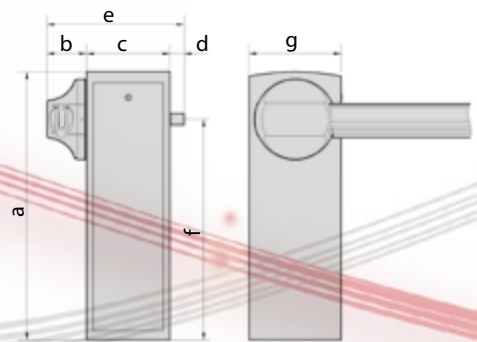
Oil Gear



Encoder



Block



FEATURES

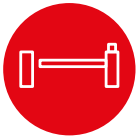
- Very intensive use
- Oil bath gear motor
- Anti-vandalism protection thanks to crankshaft system

DIMENSIONS

MODEL	a	b	c	d	e	f	g
MAXIMA 30	1110	120	320	40	480	950	280
MAXIMA 60	1155	170	360	60	590	950	400
MAXIMA 80	1155	170	360	60	590	950	400

TECHNICAL DETAILS

	MAXIMA 30	MAXIMA 60	MAXIMA 80
Opening	from 1.7 to 3 m	from 4 to 6 m	from 6 to 8 m
Control unit	CSB-BR	CSB-BR	CSB-BR
Power supply	Single-phase 230 V	Single-phase 230 V	Single-phase 230 V
Opening and closing	1.7 sec.	9 sec.	9 sec.
Frequency of use	10,000 movements/day	2,000 movements/day	2,000 movements/day
MCBF (mean cycles between failures)	5,000,000 movements	2,000,000 movements	2,000,000 movements
Slowdown of movements	during opening and closing	during opening and closing	during opening and closing
Impact reaction	encoder	encoder	encoder
Locking	mechanical	mechanical	mechanical
Unlocking	inside the structure	inside the structure	inside the structure
Environmental conditions	-30°C + 60°C	-30°C + 60°C	-30°C + 60°C
Protection rating	IP54	IP54	IP54



GIOTTO BT A ULTRA 36

Electromechanical barrier for intensive use.

• Range of barriers for intensive use, capable of controlling openings up to 6 metres wide. Fitted with 24 VDC motors, with an extensive range of accessories which make them the perfect choice for any setting. Same design as Maxima Ultra 36. MERAK control unit with U-Link for extremely fast and precise installations thanks to the scenario programming of the installation. With just a handful of selections of the display, it is possible to fully programme the control unit, saving time and ensuring the best results. Control unit located in the upper part of the barrier and protected by a solid aluminium casing for easy and safe collection, programming and maintenance operations. Compatible with ES bar and PS bar



U-Link



rolling code



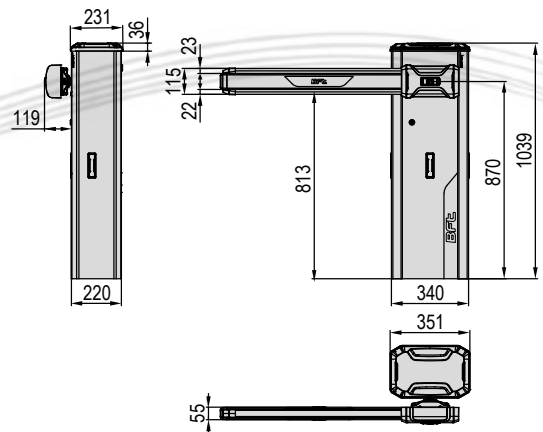
er ready



ee link



24 V

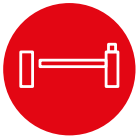


FEATURES

- Encoder technology
- Control unit with U-Link and programming display
- 24 V motor

TECHNICAL DETAILS

	GIOTTO BT A ULTRA 36	GIOTTO BT A ULTRA 36 XL
Opening	max. 4 metres	max. 6 metres
Frequency of use	5,000 movements per day	2,000 movements per day
Opening and closing	2.2 sec. (@3 m)	4 sec. (@6 m)
Control unit	MERAK	MERAK
Motor power supply	24 V	24 V
Gearbox type	grease lubricated	grease lubricated
Limit switch type	electromechanical	electromechanical
Slowdown of movements	adjustable	adjustable
Locking	mechanical	mechanical
Unlocking	personalised key	personalised key
Environmental conditions	-20°C/+55°C	-20°C/+55°C
Protection rating	IP54	IP54



GIOTTO BT A

Electromechanical barrier for intensive use.

- Range of barriers for intensive use, capable of controlling openings up to 6 metres wide. Fitted with 24 VDC motors, with an extensive range of accessories which make them the perfect choice for any setting.
- Scenario programming: the MERAK BG control units are fitted with U-Link for extremely fast and precise installations thanks to the scenario programming of the installation. With just a handful of selections of the display, it is possible to fully programme the control unit, saving time and ensuring the best results.
- Control unit at the top: the control unit located in the upper part of the barrier is protected by a solid aluminium casing for easy and safe collection, programming and maintenance operations.



U-Link



rolling code



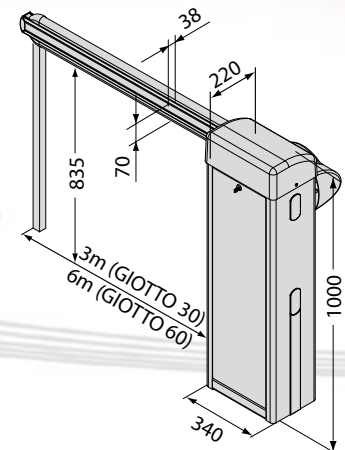
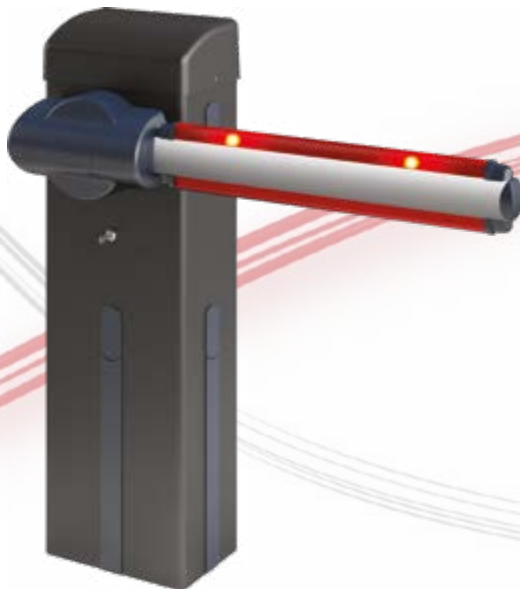
er ready



ee link



24 V



FEATURES

- Encoder technology
- Control unit with U-Link and programming display
- 24 V motor

TECHNICAL DETAILS

	GIOTTO BT A 30 U	GIOTTO BT A 60 U
Opening	3 metres	6 metres
Control unit	MERAK BG	MERAK BG
Motor power supply	24 V	24 V
opening and closing	4 seconds	5 seconds
Limit switch type	electronic opening/closing	electronic opening/closing
Slowdown of movements	adjustable	adjustable
Impact reaction	encoder	encoder
Locking	mechanical	mechanical
Unlocking	personalised key	personalised key
Frequency of use	intensive	intensive
Environmental conditions	from -10°C (-40°C with thermo accessory) to 50°C	from -10°C (-40°C with thermo accessory) to 50°C
Protection rating	IP54	IP54



MICHELANGELO BT A

Automatic barrier for intensive use.

- Range of barriers for intensive use, for controlling openings up to 8 metres wide. The extensive range of accessories, with integrated beacon and fittings for installation of photocells made them the perfect choice for any setting.
- Control unit with U-Link, programming display and built-in two-channel radio receiver fitted into the upper part of the machine for easier and more practical use.
- Electronically controlled limit switch which speeds up installation and ensures the highest possible precision of movement.
- Backup battery power supply system, which can be installed on the machine.
- Protection rating IP54



U-Link



rolling code



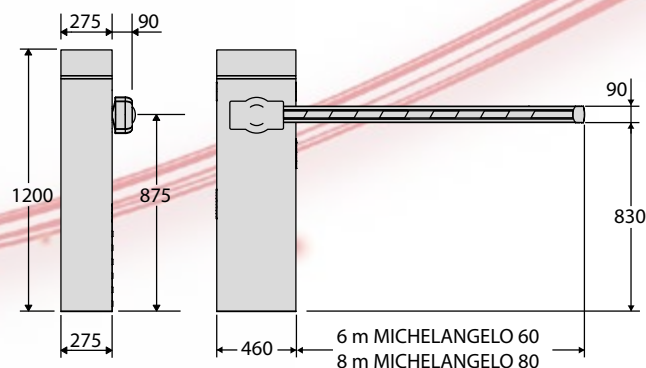
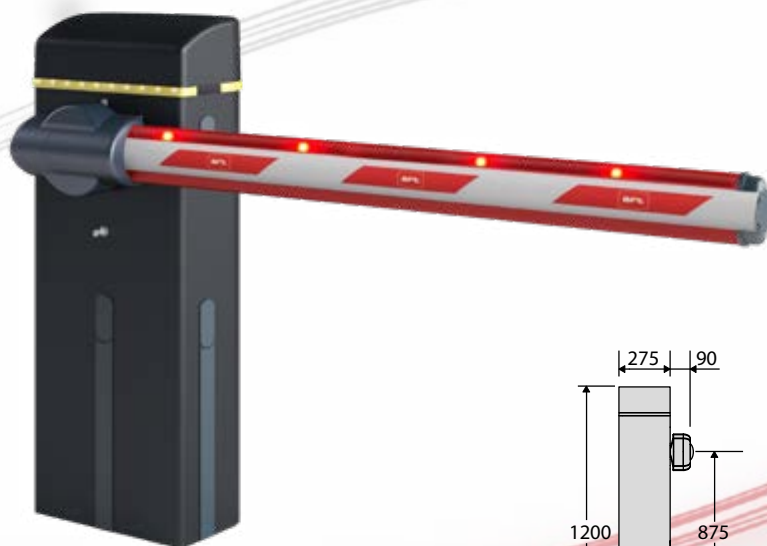
er ready



ee link



24 V



FEATURES

- Control unit with U-Link and programming display
- IP54 protection rating
- Management of opposing gate panels

TECHNICAL DETAILS

	MICHELANGELO BT A 60 U	MICHELANGELO BT A 80 U
Opening	6 m	8 m
Control unit	MERAK BM	MERAK BM
Power supply	24 V	24 V
Opening and closing	6 sec.	8 sec.
Limit switch type	electronic	electronic
Slowdown of movements	adjustable	adjustable
Locking	mechanical	mechanical
Unlocking	key	key
Frequency of use	intensive	intensive
Environmental conditions	from -20°C (-40°C with thermo accessory) to 50°C	
Protection rating	IP 54	IP 54



MOOVI

Electromechanical barrier for intensive use.

- Range of barriers for intensive use, capable of controlling openings up to 6 metres wide. The extensive range of available accessories make them the perfect choice for any setting.
- Also available in the new fast Moovi 30S version, with opening time of 1.5 seconds (plus slowdown) for intensive use.
- Control unit with programming display and built-in two-channel radio receiver (models Moovi 30/60RMM/30S)



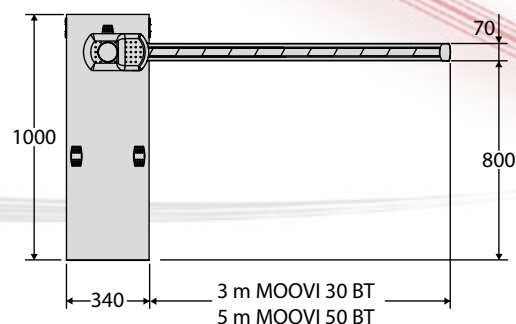
rolling code



er ready



ee link



FEATURES

- Control unit with built-in display and receiver
- Impact reaction via encoder (RMM version)

TECHNICAL DETAILS

	MOOVI 30S	MOOVI 30	MOOVI 30 RMM	MOOVI 60	MOOVI 60 RMM
Opening	3 metres	3 metres	3 metres	6 metres	6 metres
Control unit	Leo MV D	Alpha Bom	Leo MV D	Alpha Bom	Leo MV D
Motor power supply	230 V	230 V	230 V	230 V	230 V
opening and closing	1.5 sec. + slowdown	4 seconds	4 seconds	8 seconds	8 seconds
Limit switch type	Built-in electronic and adjustable limit switch type				
Slowdown of movements	adjustable	adjustable	adjustable	adjustable	adjustable
Impact reaction	sensitive edge	sensitive edge	encoder	sensitive edge	encoder
Locking	mechanical	mechanical	mechanical	mechanical	mechanical
Unlocking	personalised key				
Frequency of use	intensive	semi-intensive	semi-intensive	semi-intensive	semi-intensive
Environmental conditions	from -20°C to +50°C*	from -20°C to +50°C*	from -20°C to +50°C*	from -20°C to +50°C*	from -20°C to +50°C*
Protection rating	IP24	IP24	IP24	IP24	IP24

Work as a team with us: be ahead!

Advanced solutions with unique, exclusive features.
They are also simple, accessible and user-friendly.
State-of-the-art technologies designed to improve the lives of
everyone: installers and users.

This is who we are today: a company focusing on modern day demands, with a close eye on the future. A professional organisation with a strong human touch, we work alongside our partners and ensure they proceed at a dynamic pace, thanks to a specialist full-access approach, to always stay ahead of the game. A company where technical aspects are supported by passion, where engineering know-how is complemented by the brilliance of our inventive creativity. Because we like to listen to you and understand you, meeting your requirements and providing you with new opportunities; always giving you our utmost, offering you ever more advanced tools, designed to improve performance. Technology which is fast, smart and always accelerating: to advance the pace of innovation and, together, always be a step ahead.



BFT SpA

Via Lago di Vico, 44 - 36015 Schio (Vicenza), Italy
Direct Telephone Number 06 96 706 706 for professionals working in the sector.
Fax. +39 0445 69 65 22- info@bft.it

www.bft-automation.com



Be ahead