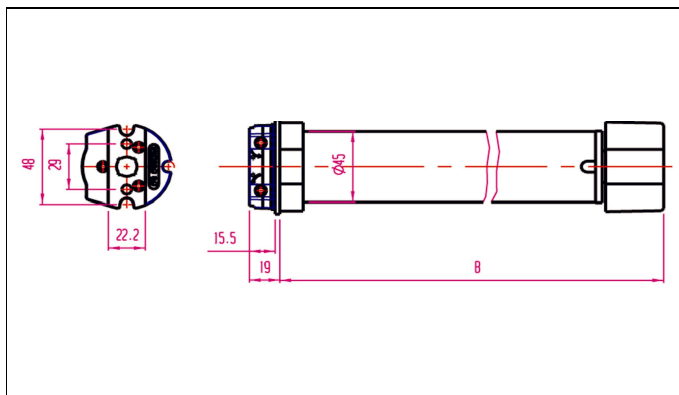




Type	Nm	In.Lb	r.p.m.	V/Hz	W	B	Kgf Ø 50 mm
CRONO 150.US	11	97 max	14	120/60	120	640 mm	45
CRONO 300.US	24	212 max	14	120/60	190	640 mm	98
CRONO 600.US	42	371 max	14	120/60	290	640 mm	171



Continuous operating time	4 min.
Protection	IP44
Power input cable	4x0,75 mm ²
Insulation rate	H
Switch rotation limit	0÷30
Markings	

PRODUCT QUALITY CERTIFICATIONS



COMPANY QUALITY CERTIFICATIONS



ISO 9001 Certified



Certificate no. 900582

QUALITY CONFORMITY

