

**FADINI**<sup>®</sup>  
MECCANICA



AUTOMATIC SYSTEMS FOR GATES,  
GARAGE DOORS, INDUSTRIAL DOORS  
AND AUTOMATIC BARRIERS

**CATALOGUE**  
11.2021



**FADINI**<sup>®</sup>  
l'apricancello

# INDEX

---

**20**

Automations for  
**SLIDING GATES**

**36**

Automations for  
**SWINGING GATES**

**70**

Automations for  
**GARAGE AND  
INDUSTRIAL DOORS**

**82**

**AUTOMATIC  
BARRIERS**

**102**

**SAFETY AND  
COMMAND  
ELECTRONICS**

**124**

**ELECTRONIC  
CONTROL UNITS**

**150**

**KIT** automations

**162**

**GATE COMPONENTS**

**164**

**INSTALLATION  
DIAGRAMS**

**172**

**PROGRESSIVE INDEX  
OF CODES**

**176**

**NOTES INDEX**

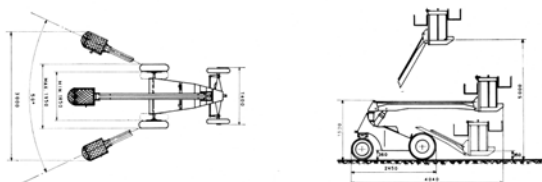


Creativity is imagining tomorrow. Projects where design and quality are the answer to your questions. Without a past there can be no future. Fadini automation, history is not fantasy. It all began in 1967, when the three Fadini brothers put up a small mechanical workshop specialized in oil-hydraulic agriculture machines. The transformation from a family business into an industrial group occurred though in the late 70s when an increasingly growing process started and the company became worldwide known in gate automation. Since 2010 the three founders are supported by their sons. Fadini is a reality today, that finds its place among the main players in the world in manufacturing and trading automatic systems for gates, doors of any kind, garages, road barriers, automatic, semiautomatic, removable and fixed bollards. The company's philosophy has been the same since the foundation and is characterized by a balanced combination of tradition and modernity, quality and reliability. Fadini, an exclusive though unmistakable product.



## 1969

Meccanica Fadini produces and puts on the market CIGNO: an oil-hydraulic platform for pruning and picking up fruits.





Head offices  
manufacturing factory

## THE COMPANY

Meccanica Fadini s.n.c. is a leading company today in Europe and the world in gate automation, with sales and assistance outlets in more than 60 nations. The main seat is in Cerea (VR) and spreads over a total surface of more than 130.000 m<sup>2</sup>, 30.000 m<sup>2</sup> of which are ruffed, where automatic systems for gates, garage doors, industrial doors and road barriers are designed, manufactured and tested, including also a vast range of bollards, oil-hydraulic and automatic models, but also semiautomatic, removable and fixed. Other two factories in Vicenza province are dedicated to the production of control and safety accessories.

More than 45 years of ideas, passion and success.

The history of Meccanica Fadini is a path marked by a constant evolution towards new technological and marketing frontiers.

Yesterday, today and

### MEC 400

First operator for sliding gates. Meccanica Fadini is a pioneer in Italy and in the world in producing and trading automatic gate systems.

19  
74



19  
77



### MEC 800 SPECIAL

First oil-hydraulic operator for swinging gates. A great technical intuition: transferring the know-how in oil-hydraulics into the newly born gate automation field.

### MEC 900

First traffic barrier with oil-hydraulic technology.



19  
83



### HONGI 83

Oil-hydraulic operator with electric motor integrated in the oil reservoir. Updated and improved over the years, today the same features can be found in HINDI 880 EVO, as a guarantee of quality and reliability.

### MEC 85

Super-regenerative and quartz 250/300 MHz transmitters, one, two and three channels.

19  
85



**19  
91**

## STRABUC 918

The first retractable, oil-hydraulic, automatic bollards are started in this period. Today they are included in a dedicated catalogue. Meccanica Fadini presents a complete range of automatic, semiautomatic, removable and fixed bollards.

Consult the dedicated catalogue to find out more.

*in the future.*

## NYOTA 115

Geared motor operator with clutch in oil bath and mechanical brake. Constantly updated. Still in production as NYOTA 115 EVO version.

**19  
86**



**19  
93**



## COMBI 740

First oil-hydraulic underground operator where motor pump and jack are all in one casing. Constantly updated and available in a wide range of versions, COMBI 740 is still in production; with the addition of COMBI 787 the choice of operators for large gates is thus even bigger.

## JUNIOR 624/633/650

Range of geared motor operators for sliding gates, oil bath and EN 12445 - EN 12453 certified.

**20  
10**



**20  
17**



## DARDO 424/430

First Fadini electromechanical operator for residential swinging gates.

## ZERO

Complete line of accessories for swinging and sliding gates. Flashing light, photocells, transponder reader, key-switches, digital keypad, three-button switch and support posts.

**20  
21**



# THE VALUES OF INNOVATION

Mechanics is our creed. Meccanica Fadini has made significant investments in technology: today the most modern and efficient CNC machines of the latest generation can be found inside our factories.





# OIL-HYDRAULIC TECHNOLOGY

The perfect solution for all those technical requirements that demand safety, quietness, smooth movements, precision and reliability. A successful market response, the high standards of performance and long life of Fadini installations are the real witnesses of such technical intuition: oil-hydraulic technology as a synonym for timeless quality.







## **CHOOSING FADINI MEANS CHOOSING QUALITY**

Materials of high quality standards and a strictly controlled manufacturing process ensure reliability and long lasting performance with all its operators. All the mechanical, electromechanical and electronic parts undergo severe control during the various machining phases, assembling and final testing. Meccanica Fadini's products are CE marked and conform to the European safety regulations and installation guidelines.

# RESEARCH AND DEVELOPMENT

Meccanica Fadini invests in innovation and latest state-of-the-art technologies. Software programs are used for 3D design, control, sustainable projects, communication and data processing. Creation of models of new products that quickly become alive thanks to the help of 3D multi-material printers.



# WWW.FADINI.NET

Meccanica Fadini always supports its products by providing the following: instructions manuals, technical data sheets, catalogues and brochures; all can be easily consulted in the download section of the company's web site. Attentive also to the commercial needs of the distributors' network, Meccanica Fadini can provide advertising and demonstration material: various kind of demo-gates, luminous signs and gadgets, in addition to a line of Fadini-branded garments.



# ZERO



## **ZERO.L**

LED flashing light, with integrated aerial



## ZERO.PH

Surface and recess photocells



## ZERO.DGT

Surface and recess digital keypad  
with cable connection



## ZERO.K

Surface and recess key-switches



## ZERO.EK

Surface and recess key-switches



## ZERO.PB

Surface and recess  
indoor 3-button switch



## ZERO.SAPE

Surface and recess proximity reader  
for transponders

**ZERO.PT**  
Anodized aluminium outdoor posts



## DIVO 71

Rolling code, auto-learning, 433,92 MHz transmitter, compatible with ASTRO 43 and JUBI 433 series.

4 colours available: lime green, mustard yellow, candy lilac and skyline grey.



# DIVO 71



# BEAM WITH LEDS

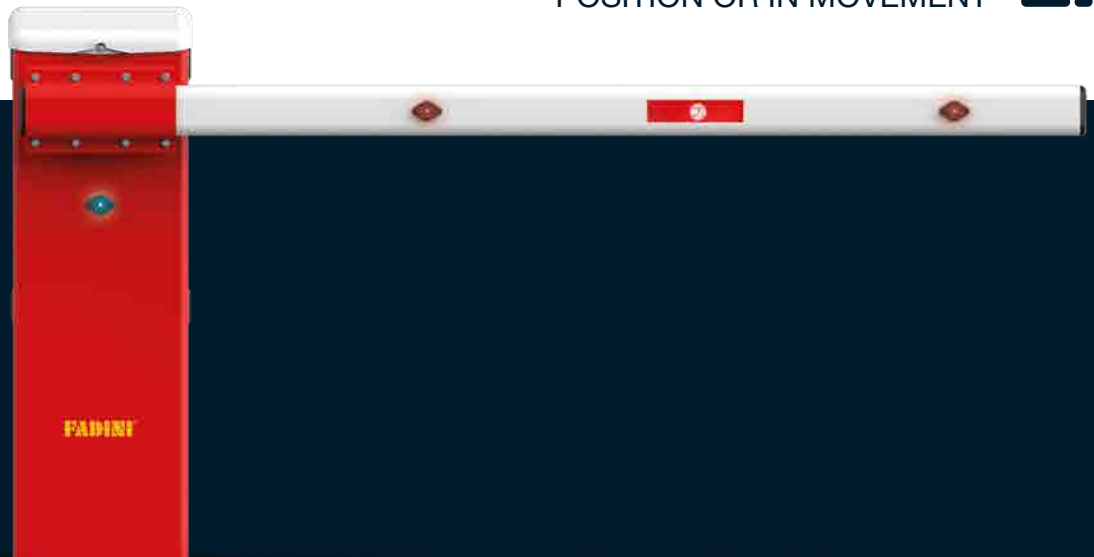
**TRAFFIC LIGHTS EFFECT  
FOR THE AUTOMATIC BAYT 980 BARRIER**



GREEN LED FLASHING  
LIGHT WITH BEAM IN  
VERTICAL POSITION



RED LED FLASHING LIGHT  
WITH BEAM IN HORIZONTAL  
POSITION OR IN MOVEMENT





## ELECTROMECHANICAL TECHNOLOGY

Operator that is designed to transmit motion by means of an electric motor and a speed reducer (worm gear and crown gear).



## OIL-HYDRAULIC TECHNOLOGY

Operator that is designed to transmit motion by means of oil pressure.



## EVO VALVE

It is possible to set the locking features directly on the operator depending on the installation requirements: **N** always non locking / **A** locking in open gate position / **B** locking in closed gate position / **BB** bidirectional locking.



## LOCKING IN OPEN GATE POSITION

With the gate in open position, the operator needs overriding to allow closing by hand. With the gate in closed position, no locking action and opening by hand is allowed.



## LOCKING IN CLOSED GATE POSITION

With the gate in closed position, the operator needs overriding to allow opening by hand. With the gate in open position, no locking action and closing by hand is allowed.



## BIDIRECTIONAL HYDRAULIC LOCKING DEVICE

The gates are hydraulically hold in open and closed positions (motor stops). The actuator requires to be overridden for open and close operations by hand.



## REVERSIBLE NON LOCKING

No hydraulic locking device is fitted. It is always possible to open and close the gate by hand. With these installations, an electric lock or latch is always required to hold the gate in closed position.



## BRAKING

Oil-hydraulic operator incorporating a hydraulic device slowing down (braking) the gate: either in opening or closing phases or in both directions, depending on the operator type. Electromechanical operator incorporating an electronic braking control allowing slowdown in opening and closing phases of the gate.



## FLOW REGULATOR

Oil-hydraulic operator fitted with flow regulator allowing for gate speed control during the entire opening and closing phases.



## -40 °C

Technology applied to dedicated devices allowing the motor operators to be used in extremely cold environments, where temperature can go lower than -40 °C, avoiding freezing of the equipment. Specific accessories are available to meet the various application requirements:

- HELIOS 29 card for the ELPRO range of electronic control units
- thermal probe for hydraulic motor-pumps
- heating device for automatic bollards



## LED

The LED technology allows to save 95% of energy and duration is 50 times higher than an incandescent lamp. High luminosity and visibility. Environment friendly, being in compliance with 2005/32/CE Directive.



## RT DATA

Real Time Logic for quick response to any possible external event (weather conditions, temperature variations, mechanical frictions, etc.) that may interfere with the correct functioning of the installation. The time of data elaboration by the microprocessor is such that the electronic control board is able to increase the thrust power (motor torque) to the required level so that the closing and opening operations of the gate are always correctly performed, respecting though the safety conditions. This feature of Real Time reading has been studied in order to provide the installer with a reliable support during the phase of the installation setting.



## D.S.A. - Device for Safety Auto-test

Technology allowing for the testing of the photocells connected to the installation. In case any malfunction is detected with any one of the photocells, the entire system does not work until the problem is detected and cured. This logic ensures a high level of safety.



## D.A.C.S. - Device for Auto-test - Safety Edges

Technology to control the safety edges connected to the system (in compliance with the EN 12978 and EN 13849-1 Norms). Thanks to a dedicated micro-controller circuit, separately fitted on to the board, the actual integrity and correct functioning of the safety system is constantly controlled. Any possible fault or loss of efficiency is signalled by the safety edge diagnostic LEDs keeping flashing.



## BATTERY

Wireless power supply by battery.



## RADIO LINK

Distance extension of the radio signal of a transmitter by creating a radio link between the receivers.



## ROLLING CODE

This technology ensures total reliability in radio signal transmission and cloning prevention. The transmission code changes with any pulse, and the receiver is able to assess each code by an algorithm of synchronism and verify that it is a correct one.



## TRANSCEIVER

Transmission of a bidirectional radio signal, with feedback on the transmitter confirming reception of the radio receiver signal.



## SOFTWARE

User interface allowing simple control and managing operations: the installer can manage data and parameters of the installation by a pc.



## 200° ROTATION

Infra-red safety device, 200° max. rotation on the horizontal axis.

## 1PH

230 Vac single-phase electric motor

## 3PH

230/400 Vac three-phase electric motor

# HOW TO READ THE CATALOGUE

**The catalogue is studied to enable the user to quickly consult it and select the product that best meets the application requirements.**

If the name of the product is unknown, the *index* on page 1 can direct you to the reference page for the products in that specific family including their names.

If the item code number of the product is known, consult pages 172-175, showing the *item code numbers in a progressive order*.

If you are looking for the ideal solution to your installation, but no product name or item code number are known, consult the *pages guide to choice* included at the beginning of each section of the catalogue.

There is also the possibility that pages 164-171 be consulted to see the *installation diagrams* of the various automations.

## CAPTIONS



Residential and collective use



Industrial use



Urban applications



Automations for sliding gates



Automations for swinging gates



Automations for industrial and garage doors



Automatic barriers



Command and safety electronics



Electronic control units



KIT automations

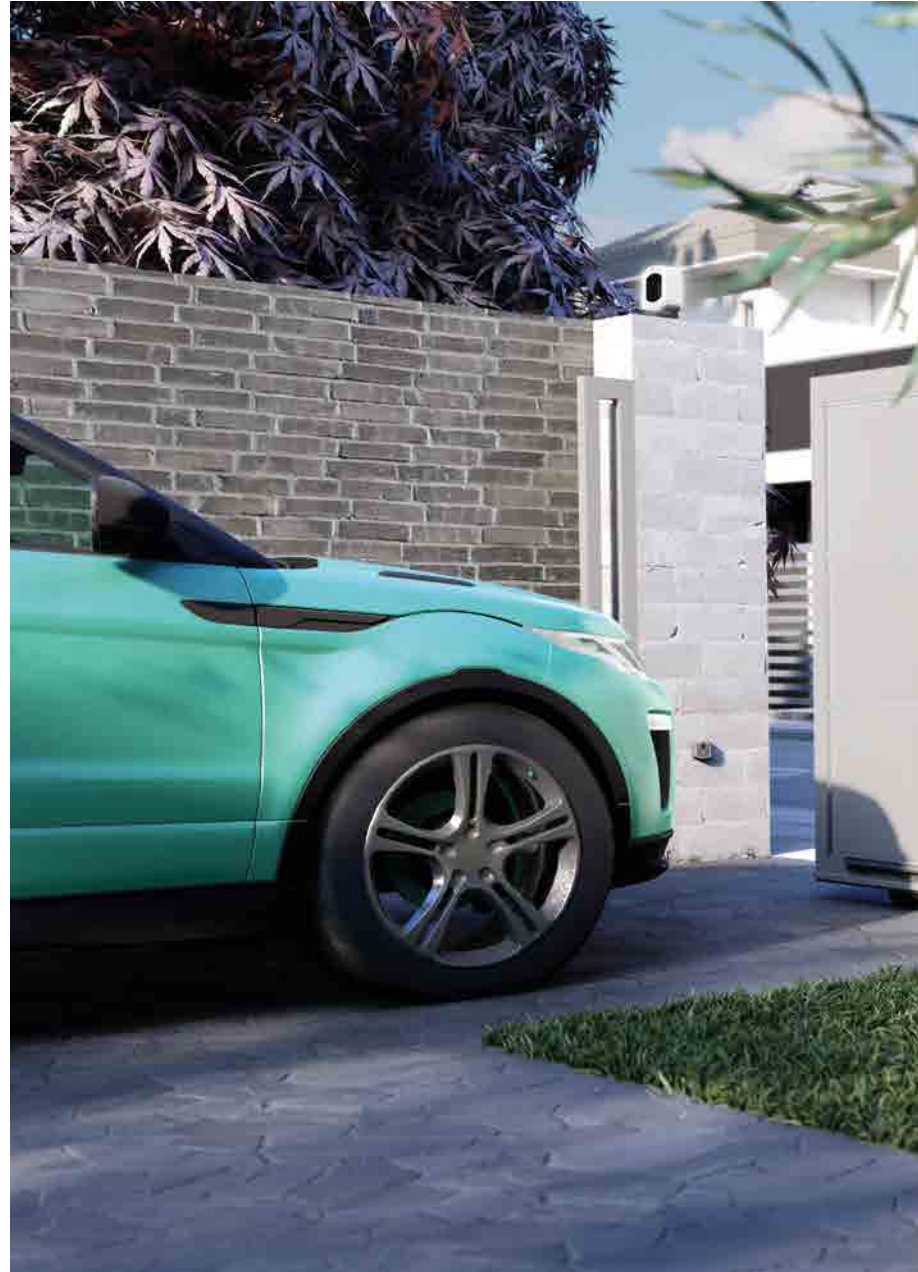


Gate components



---

Automations for  
**SLIDING  
GATES**





### **JUNIOR 624**

24

---

### **JUNIOR 633**

26

---

### **JUNIOR 650**

28

---

### **NYOTA 115 EVO**

30

---

### **MEC 200**

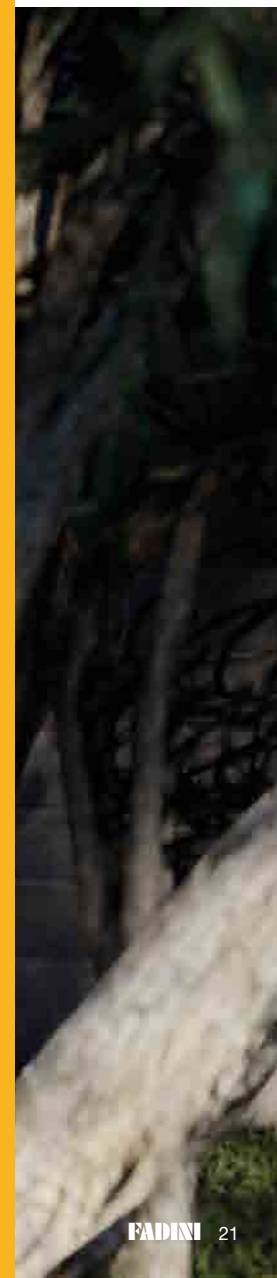
32

---

### **FIBO 300 / FIBO 400**

34

---





# GUIDE TO CHOICE



## JUNIOR

**624**

max 400 kg  
24 Vdc



## NYOTA 115 EVO

**0,5 HP**

1PH  
max 1.200 kg  
230 Vac



## MEC 200

**0,5 HP**

1PH  
max 1.200 kg  
230 Vac



## FIBO

**300**

1,5 HP  
3PH  
max 2.500 kg  
230/400 Vac



**633**

max 600 kg  
230 Vac



**1 HP**

1PH  
max 1.800 kg  
230 Vac



**1 HP**

1PH  
max 1.800 kg  
230 Vac



3PH  
max 1.850 kg  
230/400 Vac

3PH  
max 1.850 kg  
230/400 Vac

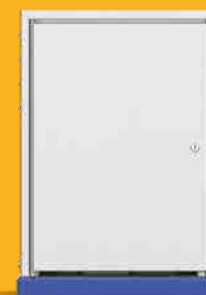
**650**

max 1.200 kg  
230 Vac



**1,5 HP**

3PH  
max 2.000 kg  
230/400 Vac



**400**

3 HP  
3PH  
max 4.000 kg  
230/400 Vac









# JUNIOR 624

MAX 400 kg

24 Vdc

## FOR SLIDING GATES

Electromechanical geared motor operator

For residential applications

### DESIGN

Modern style, the cover is fitted with a blue led light indicating status of the automation.

### QUIET

24 Vdc geared motor operator, coupling of worm and plastic crown gear in oil bath, on ball bearings.

### SMART AND SAFE

Gate travel is simple to program by a button, acceleration and deceleration on each cycle. Magnetic limit switch. Anti-crush system by the combined action of the encoder and amperometric detection of obstacles reversing gate travel. Release by the aluminium handle by a key.

### VERSATILE

Double bi-parting sliding gate function available by selecting the master/slave option on ELPRO 62.

Pre-set for battery backup in case of power failure.

### TESTED AND CERTIFIED

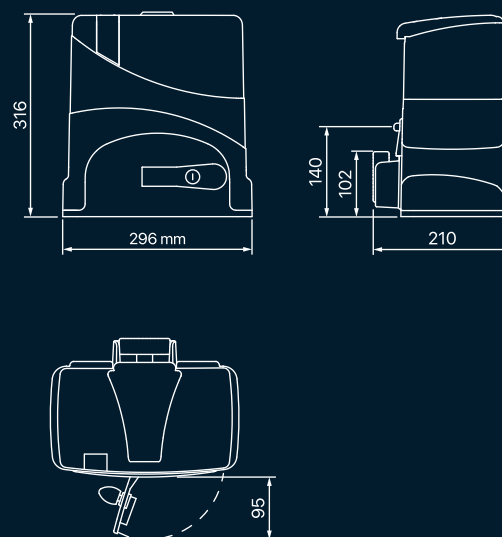
In compliance with the European Norms EN 12445 and EN 12453 and CE marking following type tests.



## TECHNICAL DATA

Power supply (Vac – Hz)	230 - 50
Motor voltage (V)	24
Max. absorbed power (W)	220
Max. absorbed current (A)	6,3
Max. torque (N)	400
Motor revolutions (rpm)	3.000
Speed (m/min)	12
Gear ratio	1:61
Grade of protection IP	54
Oil type	706L
Working temperature (°C)	-20 ÷ +50
Weight (kg)	11
Frequency of use	intensive

## OVERALL DIMENSIONS



## JUNIOR 624

CODE	VERSION	INCORPORATED	MAX. WEIGHT (kg) [A]
<b>624L</b>	24 Vdc	ELPRO 62	400

Each code includes an electromechanical geared motor operator with electronic control unit, encoder to ensure anti-crush safety, pinion for the rack, anchoring base plate with hooks for ground fixing, two keys for the release handle, magnetic limit switch and a pair of limit switch brackets.

### SPECIFIC ACCESSORIES



CODE	DESCRIPTION
<b>632L</b>	Pack of 2 x 2,6 Ah - 12 V batteries complete with cables for connections to ELPRO 62 control unit



<b>671L</b>	Mechanical limit switch, complete with striking plates and screws
-------------	---



<b>2118L</b>	Nylon gear rack m4x1.000 mm with fastening supports, metal core, complete with screws and square washers. Max 700 kg. Pack of 10 pcs.
--------------	---



<b>706L</b>	"FADINI UTTO oil" for gears, in 2 liter can
-------------	---



**620L**  
ELPRO 62



**JUNIOR 624 kit**

[A]: The gate structure, size and possible strong winds may affect the values as indicated. Always make sure the gate is adequate to be automatically operated and remove any possible friction points.



# JUNIOR 633

MAX 600 kg

230 Vac



## FOR SLIDING GATES

Electromechanical geared motor operator

For residential and industrial applications

### DESIGN

Modern style, the cover is fitted with a blue led light indicating status of the automation.

### QUIET

230 Vac geared motor operator, coupling of worm and plastic crown gear in oil bath, on ball bearings.

### SMART AND SAFE

Gate travel is simple to program by a button, acceleration and deceleration on each cycle. Magnetic limit switch. Anti-crush system by the combined action of the encoder and amperometric detection of obstacles reversing gate travel. Release by the aluminium handle by a key.

### VERSATILE

Double bi-parting sliding gate function available by selecting the master/slave option on ELPRO 63.

### TESTED AND CERTIFIED

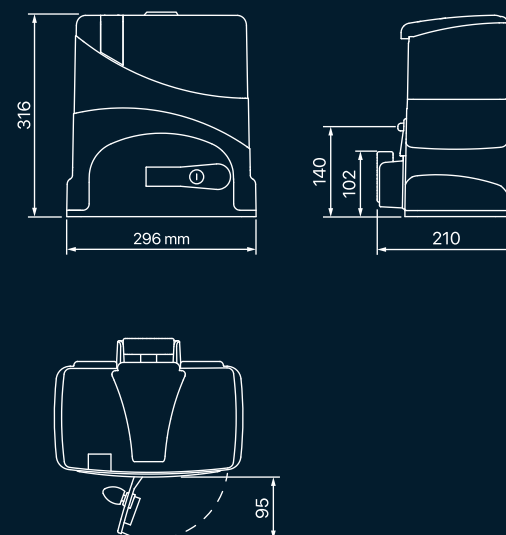
In compliance with the European Norms EN 12445 and EN 12453 and CE marking following type tests.




## TECHNICAL DATA

Power supply (Vac – Hz)	230 - 50
Max. absorbed power (W)	400
Max. absorbed current (A)	2
Max. torque (N)	600
Motor revolutions (rpm)	1.350
Speed (m/min)	10
Gear ratio	1:31
Grade of protection IP	54
Oil type	706L
Working temperature (°C)	-20 ÷ +50
Motor thermal protection (°C)	160
Weight (kg)	11,3
Frequency of use	intensive

## OVERALL DIMENSIONS



## JUNIOR 633

CODE	VERSION	POWER (kW / HP)	INCORPORATED 	MAX. WEIGHT (kg) <sup>[A]</sup>
<b>633L</b>	230 Vac 1PH	0,25 / 0,33	ELPRO 63	600

Each code includes an electromechanical geared motor operator with electronic control unit, encoder to ensure anti-crush safety, pinion for the rack, anchoring base plate with hooks for ground fixing, two keys for the release handle, magnetic limit switch and a pair of limit switch brackets.

### SPECIFIC ACCESSORIES



CODE	DESCRIPTION
<b>671L</b>	Mechanical limit switch, complete with striking plates and screws



<b>2118L</b>	Nylon gear rack m4x1.000 mm with fastening supports, metal core, complete with screws and square washers. Max 700 kg. Pack of 10 pcs.
--------------	---



<b>706L</b>	"FADINI UTTO oil" for gears, in 2 liter can
-------------	---



**630L**  
ELPRO 63



**JUNIOR 633 kit**

[A]: The gate structure, size and possible strong winds may affect the values as indicated. Always make sure the gate is adequate to be automatically operated and remove any possible friction points.



# JUNIOR 650

MAX 1.200 kg 230 Vac

## FOR SLIDING GATES

Electromechanical geared motor operator  
For industrial applications

### DESIGN

Modern style, the cover is fitted with a blue led light indicating status of the automation.

### QUIET

230 Vac geared motor operator, coupling of worm and bronze crown gear in oil bath, on ball bearings.

### SMART AND SAFE

Gate travel is simple to program by a button, acceleration and deceleration on each cycle. Magnetic limit switch. Anti-crush system by the combined action of the encoder and amperometric detection of obstacles reversing gate travel. Release by the aluminium handle by a key.

### VERSATILE

Double bi-parting sliding gate function available by selecting the master/slave option on ELPRO 63.

### TESTED AND CERTIFIED

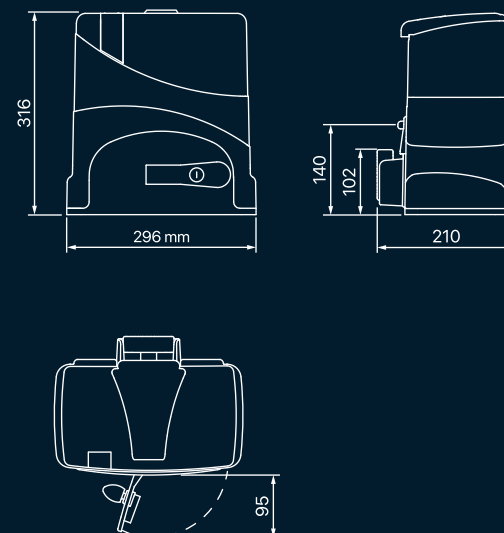
In compliance with the European Norms EN 12445 and EN 12453 and CE marking following type tests.



## TECHNICAL DATA

Power supply (Vac – Hz)	230 - 50
Max. absorbed power (W)	510
Max. absorbed current (A)	2,4
Max. torque (N)	1.000
Motor revolutions (rpm)	1.350
Speed (m/min)	10
Gear ratio	1:32
Grade of protection IP	54
Oil type	706L
Working temperature (°C)	-20 ÷ +50
Motor thermal protection (°C)	160
Weight (kg)	13,5
Frequency of use	intensive

## OVERALL DIMENSIONS



## JUNIOR 650

CODE	VERSION	POWER (kW / HP)	INCORPORATED 	MAX. WEIGHT (kg) <sup>[A]</sup>
<b>650L</b>	230 Vac 1PH	0,37 / 0,5	ELPRO 63	1.200

Each code includes an electromechanical geared motor operator with electronic control unit, encoder to ensure anti-crush safety, pinion for the rack, anchoring base plate with hooks for ground fixing, two keys for the release handle, magnetic limit switch and a pair of limit switch brackets.

### SPECIFIC ACCESSORIES



CODE	DESCRIPTION
<b>671L</b>	Mechanical limit switch, complete with striking plates and screws



<b>2118L</b>	Nylon gear rack m4x1.000 mm with fastening supports, metal core, complete with screws and square washers. Max 700 kg. Pack of 10 pcs.
--------------	---



<b>706L</b>	"FADINI UTTO oil" for gears, in 2 liter can
-------------	---



**630L**  
ELPRO 63



**JUNIOR 650 kit**

[A]: The gate structure, size and possible strong winds may affect the values as indicated. Always make sure the gate is adequate to be automatically operated and remove any possible friction points.



# NYOTA 115 EVO

## FOR SLIDING GATES

Electromechanical geared motor operator  
For residential and industrial applications

MAX 1.200 kg 230 Vac

MAX 1.850 kg 230/400 Vac



### POWERFUL AND STYLISH

230 Vac and 400 Vac geared motor operator, coupling of worm and bronze crown gear in oil bath, on ball bearings.

### RELIABLE

Aluminium gear box and cover are a total guarantee of long life over the time. Release by the aluminium handle by a key.

### SAFE

Anti-crush system by the combined action of the encoder and amperometric detection of obstacles reversing gate travel.  
Electronic brake, acceleration and deceleration on each cycle.

### VERSATILE

Full range of models with various types of electric motors. The electronic control unit can be incorporated inside NYOTA 115 EVO or stand alone in a polycarbonate box. Gate travel is simple to program by a button. Master/slave function available for operating bi-parting sliding gates.

### TESTED AND CERTIFIED

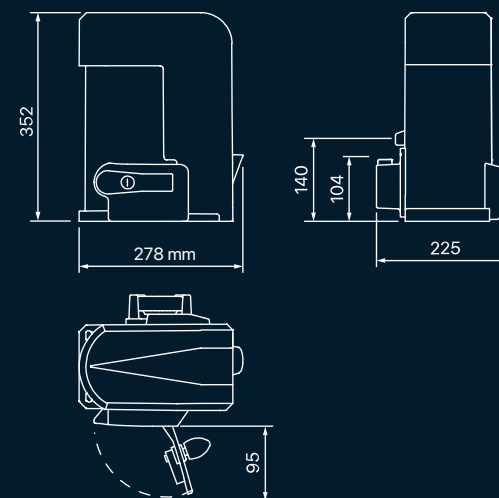
CE marking following type tests.



## TECHNICAL DATA


	0,5 HP - 1PH	0,5 HP - 3PH	1 HP - 1PH	1 HP - 3PH
Power supply (Vac – Hz)	230 - 50	230/400 - 50	230 - 50	230/400 - 50
Max. absorbed power (W)	600	575	1.130	1.030
Max. absorbed current (A)	3,2	2,1/1,2	5,7	3,7/2,2
Power yield (kW)	0,37	0,37	0,73	0,73
Motor revolutions (rpm)	1.380	1.380	1.380	1.380
Capacitor (µF)	30	-	30/40	-
Rated torque (Nm)	40	40	80	80
Travel speed (m/min)	10	10	10	10
Gear ratio	1/32	1/32	1/32	1/32
Working temperature (°C)	-25 ÷ +80	-25 ÷ +80	-25 ÷ +80	-25 ÷ +80
Motor thermal protection (°C)	160	160	160	160
Limit switch	magnetic	magnetic	magnetic	magnetic
Grade of protection IP	55	55	55	55
Oil type	706L	706L	706L	706L
Weight (kg)	18,5	18	20	19,5
Frequency of use	very intensive	very intensive	very intensive	very intensive

## OVERALL DIMENSIONS





## NYOTA 115 EVO

CODE	VERSION	POWER (kW / HP)	INCORPORATED 	MECHANICAL CLUTCH	ENCODER	• standard	- not available
						ELECTRONIC BRAKE	MAX. WEIGHT (kg) <sup>[A]</sup>
<b>1113L</b>	230/400 Vac 3PH	0,37 / 0,5	-	•	-	•	1.250
<b>1114L</b>	230/400 Vac 3PH	0,73 / 1	-	•	-	•	1.850
<b>1116L</b>	230 Vac 1PH	0,37 / 0,5	-	•	-	•	1.200
<b>1117L</b>	230 Vac 1PH	0,73 / 1	-	•	-	•	1.800
<b>1121L</b>	230 Vac 1PH	0,37 / 0,5	ELPRO 12 EVO	-	•	•	1.200
<b>1122L</b>	230 Vac 1PH	0,73 / 1	ELPRO 12 EVO	-	•	•	1.800
<b>1269L</b>	230 Vac 1PH reversible <sup>[B]</sup>	0,37 / 0,5	-	•	-	•	1.200
<b>1271L</b>	230 Vac 1PH reversible <sup>[B]</sup>	0,37 / 0,5	ELPRO 12 PLUS FN	•	-	•	1.200

Each code includes an electromechanical geared motor operator with pinion for the rack, anchoring base plate with screws for ground fixing, two keys for the release handle, magnetic limit switch and a pair of limit switch brackets. Electronic control unit and encoder are included only for the code numbers as indicated in the chart.

## SPECIFIC ACCESSORIES



CODE	DESCRIPTION
<b>7069L</b>	Polycarbonate box 110x210x295 mm for ELPRO 12 EVO, complete with connector for the encoder
<b>7231L</b>	LIMY 51 electronic card allowing duplication of the magnetic limit switch single contact. Only for NYOTA 115 EVO
<b>204L</b>	Zinc gear rack m4 30x8x1.000 mm with fixing holes
<b>207L</b>	Zinc gear rack m4 30x12x1.000 mm with fixing holes
<b>208L</b>	Gear rack fixing set including bolt and washer
<b>2039L</b>	Zinc gear rack m4 22x22x2.000 mm for welding
<b>706L</b>	"FADINI UTTO oil" for gears, in 2 liter can



**7063L**  
ELPRO 12 EVO

**7064L**  
ELPRO 12 PLUS FN

**7087L**  
ELPRO 37

**7180L**  
ELPRO 37 DS

**7184L**  
ELPRO 37 FN

[A]: The gate structure, size and possible strong winds may affect the values as indicated. Always make sure the gate is adequate to be automatically operated and remove any possible friction points.  
[B]: It is possible to open or close the gate by hand in case of power failure; no need that release handle or release spanner be operated.



# MEC 200

## FOR SLIDING GATES

Electromechanical operator

For industrial applications

MAX 1.800 kg 230 Vac

MAX 2.000 kg 230/400 Vac



### POWERFUL

230 Vac and 400 Vac geared motor operator, coupling of worm and bronze crown gear in oil bath, on ball bearings.

### RELIABLE

Aluminium gear box and cover are a total guarantee of long life over the time.

### SAFE

Adjustable torque control provided by a mechanical clutch system; the discs are lubricated by multifunctional grease to improve performance.

### STRONG AND COMPACT

Base plate of pressure cast aluminium.

### VERSATILE

Full range of models with various types of electric motors, options with air-cooled motors and electro-brake available. Depending on the way the rack is fixed on to the gate, models with horizontal or vertical pinion are available. The electronic control unit can be incorporated inside MEC 200 or stand alone in a polycarbonate box.

### TESTED AND CERTIFIED

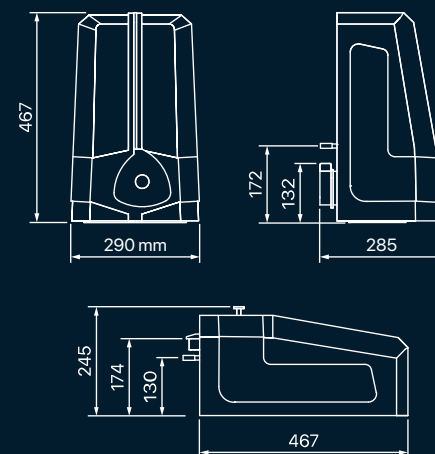
CE marking following type tests.




## TECHNICAL DATA

	0,5 HP - 1PH	0,5 HP - 3PH	1 HP - 1PH	1 HP - 3PH	1,5 HP - 3PH
Power supply (Vac - Hz)	230 - 50	230/400 - 50	230 - 50	230/400 - 50	230/400 - 50
Absorbed power (W)	510	575	1.130	1.030	1.500
Absorbed current (A)	2,4	2,1/1,2	5,7	3,7/2,2	5,1/3
Power yield (kW)	0,37	0,37	0,73	0,73	1,1
Motor revolutions (rpm)	1.380	1.380	1.380	1.380	1.380
Capacitor (µF)	20	-	40	-	-
Rated torque (Nm)	40	40	80	80	110
Travel speed (m/min)	10	10	10	10	10
Gear ratio	1/32	1/32	1/32	1/32	1/32
Working temperature (°C)	-25 ÷ +80	-25 ÷ +80	-25 ÷ +80	-25 ÷ +80	-25 ÷ +80
Limit switch	mechanical	mechanical	mechanical	mechanical	mechanical
Grade of protection IP	55 [C]	55 [C]	55 [C]	55 [C]	55 [C]
Oil type	706L	706L	706L	706L	706L
Weight (kg)	19,5 o. - 19 v.	18,5 o. - 18 v.	23,5 o. - 23 v.	21,5 o. - 21 v.	25,5 o. - 25 v.
Frequency of use	very intensive	very intensive	very intensive	very intensive	very intensive

## OVERALL DIMENSIONS






## MEC 200

CODE	VERSION	POWER (kW / HP)	v. = vertical	o. = horizontal	• standard	- not available
			INCORPORATED 	AIR-COOLED MOTOR WITH ELECTRO-BRAKE	MAX. WEIGHT (kg) [A]	
<b>1964L</b>	230 Vac 1PH o.	0,37 / 0,5	-	-	-	1.200
<b>1994L</b>	230 Vac 1PH o.	0,37 / 0,5	ELPRO 70/3 Plus	-	-	1.200
<b>197567L</b>	230 Vac 1PH o.	0,73 / 1	-	-	•	1.800
<b>196L</b>	230/400 Vac 3PH o.	0,37 / 0,5	-	-	-	1.250
<b>197L</b>	230/400 Vac 3PH o.	0,73 / 1	-	-	-	1.850
<b>198L</b>	230/400 Vac 3PH o.	1,1 / 1,5	-	-	-	2.000
<b>199L</b>	230/400 Vac 3PH o.	0,37 / 0,5	ELPRO 70/3 Plus	-	-	1.250
<b>19767L</b>	230/400 Vac 3PH o.	0,73 / 1	-	-	•	1.850
<b>19867L</b>	230/400 Vac 3PH o.	1,1 / 1,5	-	-	•	2.000
<b>2114L</b>	230 Vac 1PH v.	0,37 / 0,5	-	-	-	1.200
<b>2154L</b>	230 Vac 1PH v.	0,37 / 0,5	ELPRO 70/3 Plus	-	-	1.200
<b>212567L</b>	230 Vac 1PH v.	0,73 / 1	-	-	•	1.800
<b>211L</b>	230/400 Vac 3PH v.	0,37 / 0,5	-	-	-	1.250
<b>212L</b>	230/400 Vac 3PH v.	0,73 / 1	-	-	-	1.850
<b>213L</b>	230/400 Vac 3PH v.	1,1 / 1,5	-	-	-	2.000
<b>215L</b>	230/400 Vac 3PH v.	0,37 / 0,5	ELPRO 70/3 Plus	-	-	1.250
<b>21267L</b>	230/400 Vac 3PH v.	0,73 / 1	-	-	•	1.850
<b>21367L</b>	230/400 Vac 3PH v.	1,1 / 1,5	-	-	•	2.000
<b>7154L</b>	230 Vac 1PH v. reversible [B]	0,37 / 0,5	-	-	-	1.200
<b>7155L</b>	230/400 Vac 3PH v. reversible [B]	0,37 / 0,5	-	-	-	1.250

Each code includes an electromechanical geared motor operator with mechanical clutch, pinion for the rack, anchoring base plate for ground fixing with screws, mechanical limit switch, a pair of limit switch striking plates, release spanner. Electronic control unit and air-cooled motor with electro-brake are included only for the code numbers as indicated in the chart.

## SPECIFIC ACCESSORIES

	CODE	DESCRIPTION
 <b>206L</b> Safety switch with support for 24 Vac low voltage cut-off.	<b>204L</b>	Zinc gear rack m4 30x8x1.000 mm with fixing holes
 <b>2097L</b> Gear box for MEC 200 horizontal, complete with base plate, clutch, limit switch	<b>207L</b>	Zinc gear rack m4 30x12x1.000 mm with fixing holes
 <b>2098L</b> Gear box for MEC 200 vertical, complete with base plate, clutch, limit switch	<b>208L</b>	Gear rack fixing set including bolt and washer
	<b>2039L</b>	Zinc gear rack m4 22x22x2.000 mm for welding
	<b>706L</b>	"FADINI UTTO oil" for gears, in 2 liter can



**7060L**

ELPRO 70/3 PLUS

**7087L**

ELPRO 37

**7180L**

ELPRO 37 DS

[A]: The gate structure, size and possible strong winds may affect the values as indicated. Always make sure the gate is adequate to be automatically operated and remove any possible friction points.

[B]: It is possible to open or close the gate by hand in case of power failure; no need that release handle or release spanner be operated.

[C]: Inside the housing cover or casing.



# FIBO 300

# FIBO 400

MAX 2.500 kg

230/400  
Vac

MAX 4.000 kg

230/400  
Vac



## FOR SLIDING GATES

Electromechanical operator

For industrial applications

### VERSATILE

FIBO 300 geared motor operator 1,5 HP - 230/400 Vac for sliding gates up to 2.500 kg.

FIBO 400 geared motor operator 3 HP - 230/400 Vac for sliding gates up to 4.000 kg.

### RELIABLE

Coupling of worm and bronze crown gear in oil bath, on ball bearings. Made safe by the mechanical clutch.

### PROTECTED

The geared motor is housed in a protection casing made of steel sheet.

### FUNCTIONAL

The electronic control unit ELPRO 37 HP with power contactors is inside a polycarbonate box. Mechanical limit switches.



## TECHNICAL DATA

	1,5 HP - 3PH	3 HP - 3PH
Power supply (Vac - Hz)	230/400 - 50/60	230/400 - 50/60
Absorbed power (W)	1.500	2.800
Absorbed current (A)	5,1/3	9,4/5,4
Power yield (kW / HP)	1,1 / 1,5	2,2 / 3
Motor revolutions (rpm - Hz)	1.400 - 50   1.700 - 60	1.400 - 50   1.700 - 60
Rated torque (Hz - Nm)	50 - 300	50 - 600
Rated torque (Hz - Nm)	60 - 247	60 - 490
Travel speed (rpm - Hz - m/min)	1.400 - 50 - 10,5	1.400 - 50 - 10,5
Travel speed (rpm - Hz - m/min)	1.700 - 60 - 12,8	1.700 - 60 - 12,8
Gear ratio	1/40	1/40
Working temperature (°C)	-25 ÷ +80	-25 ÷ +80
Limit switch	mechanical	mechanical
Grade of protection IP	55 [C]	55 [C]
Oil type	706L	706L
Weight (kg)	62	89
Frequency of use	intensive	intensive

## OVERALL DIMENSIONS



## FIBO 300 - FIBO 400

CODE	MODEL	VERSION	POWER (kW / HP)	LIMIT SWITCH	MAX. WEIGHT (kg) [A]
<b>3002L</b>	FIBO 300	230/400 Vac 3PH	1,1 / 1,5	mechanical	2.500
<b>4002L</b>	FIBO 400	230/400 Vac 3PH	2,2 / 3	mechanical	4.000

Each code includes an electromechanical geared motor operator with mechanical clutch, pinion for the rack, base plate for ground fixing, mechanical limit switch, a pair of limit switch striking plates, protection cover, two keys to access the cover, one release spanner. The electronic control unit ELPRO 37 HP, CODE 7185L, is not included and must be ordered separately.

### SPECIFIC ACCESSORIES



CODE	DESCRIPTION
<b>2039L</b>	Zinc gear rack m4 22x22x2.000 mm for welding



<b>706L</b>	"FADINI UTTO oil" for gears, in 2 liter can
-------------	---

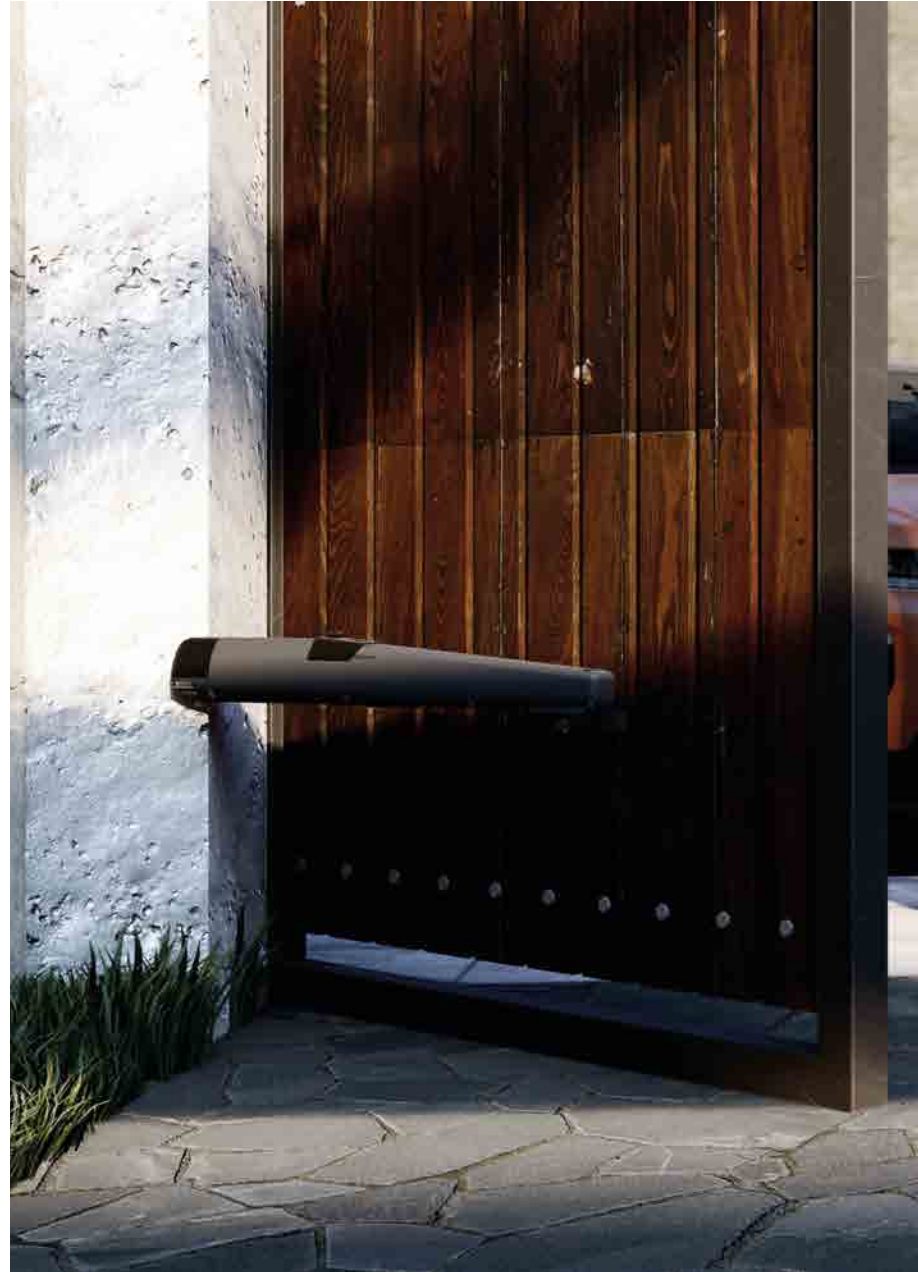


**7185L**  
ELPRO 37 HP

[A]: The gate structure, size and possible strong winds may affect the values as indicated. Always make sure the gate is adequate to be automatically operated and remove any possible friction points.  
[C]: Inside the housing cover or casing.

---

Automations for  
**SWINGING  
GATES**





**DARDO 424**

40

---

**DARDO 430**

42

---

**HINDI 880 SPRINT**

44

---

**NUPI 66**

46

---

**HINDI 880 EVO**

48

---

**MEC 800 SPECIAL**

52

---

**BART 350**

56

---

**APROLI 280 BATT**

58

---

**APROLI 280/700 ROBUSTO**

60

---

**COMBI 740**

62

---

**COMBI 787**

66

---

**DRIVE 700**

68

---





# GUIDE TO CHOICE

ON-THE-GATE MOUNT



## DARDO

**424**

max 400 kg  
2,5 m  
24 Vdc



## HINDI **880** SPRINT

max 400 kg  
2,3 m  
230 Vac



## NUPI **66**

max 400 kg  
2,5 m  
230 Vac



## HINDI **880** EVO

150 mm  
max 300 kg  
1,5 m  
230 Vac



## MEC **800** SPECIAL

280 mm  
max 400 kg  
2,8 m  
230 Vac



400 mm  
max 700 kg  
4 m  
230 Vac



500 mm  
max 700 kg  
5 m  
230 Vac



600 mm  
max 800 kg  
6 m  
230 Vac



700 mm  
max 900 kg  
7 m  
230 Vac



800 mm  
max 1.000 kg  
8 m  
230 Vac



900 mm  
max 1.100 kg  
9 m  
230 Vac



1.000 mm  
max 1.200 kg  
10 m  
230 Vac







**ON-THE-GATE MOUNT**  
with articulated arm



**BART**  
**350**



max 300 kg  
1,8 m  
24 Vdc



**APROLI**  
**280** BATT



max 400 kg  
2 m  
230 Vac



**280/700**

ROBUSTO

max 400 kg  
3 m  
230 Vac



**UNDER-THE-GROUND MOUNT**



**COMBI**



**740**

max 700 kg  
4 m  
230 Vac



**DRIVE**  
**700**



max 700 kg  
4 m  
230 Vac



**787**



max 1.000 kg  
6 m  
230 Vac





# DARDO 424

MAX 400 kg  
2,5 m 24 Vdc



## FOR SWINGING GATES

Electromechanical operator on-the-gate mount  
For residential applications

### QUIET

24 Vdc irreversible electromechanical operator. The mechanics include a steel rolled worm screw, brass threaded nut, teflon crown gear, radial bearing and lubricated bushings.

### SIMPLE

Release system for manual operations by means of the same key that also opens the protection cover.

### SMART

Gate delay can be simply programmed automatically, or manually by a button in the electronic control unit ELPRO 42. Mechanical stop plates in open and closed positions, fitted to the cover and adjustable.

### SAFE

Anti-crush system by the encoder and amperometric constant monitoring to ensure the correct functioning of the operator, reversing gate travel on impact with possible obstacles. Acceleration and deceleration on each cycle.

### ROBUST AND COMPACT

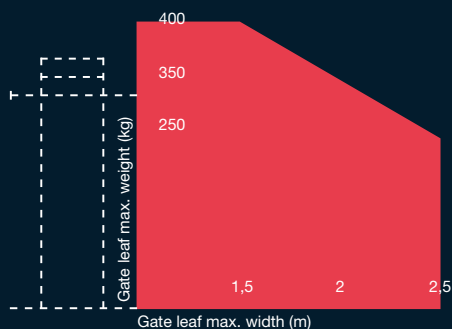
Protection cover made of pressure cast aluminium and polyester powder coating.



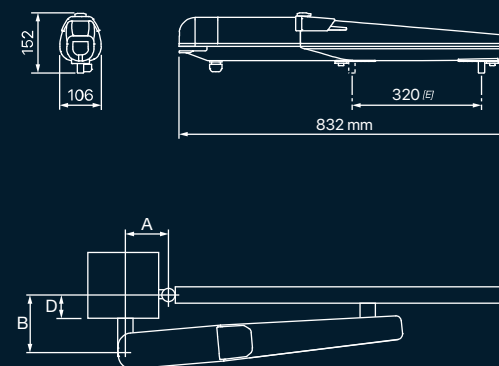
## TECHNICAL DATA

Power supply (Vac – Hz)	230 - 50
Motor voltage (Vdc)	24
Max. absorbed power (W)	80
Max. absorbed current (A)	3,5
Opening time 90° (s)	16 ÷ 20 [D]
Speed (mm/s)	16 ÷ 20 [D]
Max. torque (N)	1.000
Working temperature (°C)	-20 ÷ +50
Grade of protection IP	44
Rod useful stroke (mm)	320 [E]
Weight (kg)	6,5
Frequency of use	very intensive

## APPLICATIONS [A]



## OVERALL DIMENSIONS



A (mm)	B (mm)	D (mm)
100-160	130-210	40-120

## DARDO 424

CODE	VERSION	SINGLE GATE MAX. WIDTH (m) <sup>[A]</sup>	SINGLE GATE MAX. WEIGHT (kg) <sup>[A]</sup>
<b>424L</b>	24 Vdc	2,5	400

Each code includes an electromechanical operator complete with rear and front brackets fixing by screws, incorporated open and close stop plates, cable inlet gland for power supply and encoder, two keys to open the sliding lid protecting the release device. For gates wider than 2 m per leaf, an electric lock is required.



**4200L**  
ELPRO 42



**DARDO 424** kit

[A]: The gate structure, size and possible strong winds may affect the values as indicated. Always make sure the gate is adequate to be automatically operated and remove any possible friction points.

[D]: Opening and closing times depend on the fixing distances, speed adjustment and gate inertia.

[E]: Without the mechanical stops it is possible to extend travel by 60 mm, but it is required that gate stops be fitted on to the ground both in open and closed gate positions.



# DARDO 430

MAX 350 kg  
2,8 m 230 Vac



## FOR SWINGING GATES

Electromechanical operator on-the-gate mount  
For residential applications

### QUIET

230 Vac irreversible electromechanical operator. The mechanics include a steel rolled worm screw, brass threaded nut, teflon crown gear, radial bearing and lubricated bushings.

### SIMPLE

Release system for manual operations by means of the same key that also opens the protection cover.

### SMART

Gate delay can be simply programmed automatically, or manually by a button in the electronic control unit ELPRO 43. Mechanical stop plates in open and closed positions, fitted to the cover and adjustable.

### SAFE

Anti-crush system by the encoder and amperometric constant monitoring to ensure the correct functioning of the operator, reversing gate travel on impact with possible obstacles. Acceleration and deceleration on each cycle.

### ROBUST AND COMPACT

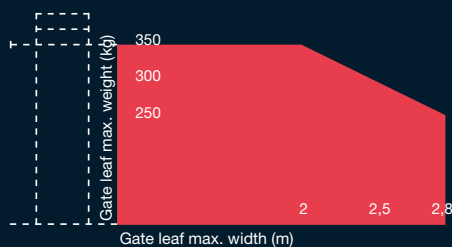
Protection cover made of pressure cast aluminium and polyester powder coating.



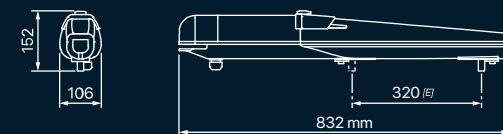
## TECHNICAL DATA

Power supply (Vac – Hz)	230 - 50
Max. absorbed power (W)	300
Max. absorbed current (A)	1,7
Opening time 90° (s)	16 ÷ 20 [D]
Speed (mm/s)	16 ÷ 20 [D]
Max. torque (N)	3.000
Working temperature (°C)	-20 ÷ +50
Motor thermal protection (°C)	160
Grade of protection IP	44
Rod useful stroke (mm)	320 [E]
Weight (kg)	8
Frequency of use	semi-intensive 35%

## APPLICATIONS [A]



## OVERALL DIMENSIONS



A (mm)	B (mm)	D (mm)
100-160	130-210	40-120

## DARDO 430

CODE	VERSION	POWER (kW / HP)	SINGLE GATE MAX. WIDTH (m) <sup>[A]</sup>	SINGLE GATE MAX. WEIGHT (kg) <sup>[A]</sup>
<b>430L</b>	230 Vac 1PH	0,24 / 0,33	2,8	350

Each code includes an electromechanical operator complete with rear and front brackets fixing by screws, incorporated open and close stop plates, cable inlet gland for power supply and encoder, two keys to open the sliding lid protecting the release device. For gates wider than 2 m per leaf, an electric lock is required.



**4300L**  
ELPRO 43



**DARDO 430** kit

[A]: The gate structure, size and possible strong winds may affect the values as indicated. Always make sure the gate is adequate to be automatically operated and remove any possible friction points.

[D]: Opening and closing times depend on the fixing distances, speed adjustment and gate inertia.

[E]: Without the mechanical stops it is possible to extend travel by 60 mm, but it is required that gate stops be fitted on to the ground both in open and closed gate positions.



# HINDI 880 SPRINT

MAX 400 kg  
2,3 m 230 Vac



## FOR SWINGING GATES

Oil-hydraulic operator on-the-gate mount

For residential and collective applications

### OIL-HYDRAULIC

Anti-crush safety ensured by the two by-pass valves incorporated in the actuator. Easy release system by special key.

### ROBUST

Structure entirely made of aluminium. Simple to install and adjust. It comes in a kit format including the accessories.

### VERSATILE

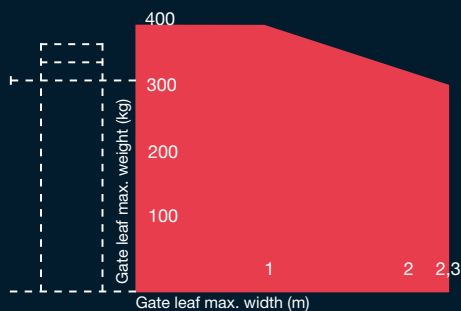
Several options are available such as reversible non locking, locking by hydraulic device in closed gate position or double locking.



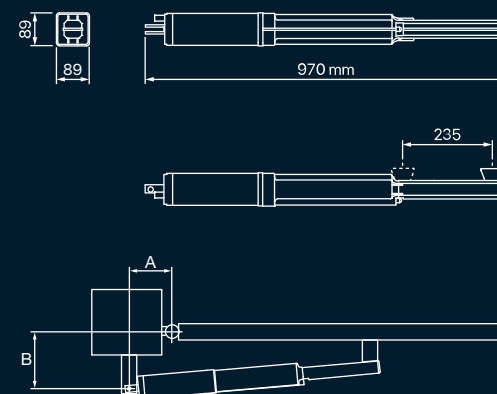
## TECHNICAL DATA

Power supply (Vac – Hz)	230 - 50
Absorbed power (W)	250
Power yield (W)	180
Max. absorbed current (A)	1,2
Rod stroke (mm)	235
Rod diameter (mm)	16
Linear speed opening/closing (mm/s)	~ 16
Opening force (N)	0 ÷ 5.100
Closing force (N)	0 ÷ 6.200
Working temperature (°C)	-25 ÷ +80 [F]
Oil type	708L
Grade of protection IP	67
Frequency of use	intensive
Weight (kg)	9,5

## APPLICATIONS [A]



## OVERALL DIMENSIONS



A (mm)

110

B (mm)

110

## HINDI 880 SPRINT

CODE	VERSION	POWER (kW / HP)	HYDRAULIC LOCKING	SINGLE GATE MAX. WIDTH (m) [A]	SINGLE GATE MAX. WEIGHT (kg) [A]
<b>887L</b>	230 Vac 1PH	0,18 / 0,25	reversible	2,3	400
<b>888L</b>	230 Vac 1PH	0,18 / 0,25	on gate closed	2,3	400
<b>889L</b>	230 Vac 1PH	0,18 / 0,25	bidirectional	2,3	400

Each code includes an oil-hydraulic operator complete with rear and front fixing brackets to weld, electric power supply cable and release key. The cover of HINDI 880 SPRINT can be either left- or right-handed. For gates wider than 2 m per leaf, an electric lock is required. With non locking (reversible) models an electric lock is always needed.

### SPECIFIC ACCESSORIES



CODE	DESCRIPTION
<b>708L</b>	"FADINI HF.PLI oil" for hydraulic systems, in 2 liter can



**7047L**  
ELPRO 27



**HINDI 880 SPRINT** kit

[A]: The gate structure, size and possible strong winds may affect the values as indicated. Always make sure the gate is adequate to be automatically operated and remove any possible friction points.  
[F]: -40 °C with specific optional accessories, see page 16.



# NUPI 66

MAX 400 kg  
2,5 m 230 Vac



## FOR SWINGING GATES

Oil-hydraulic operator on-the-gate mount

For residential and collective applications



### SAFE

Oil-hydraulic actuator with an innovative valve assembly allowing for the thrust power to be controlled by the electronics. Incorporated capacitor. Stylish design and choice of high quality materials to make it highly resistant to weather conditions.

### EASY TO INSTALL AND ADJUST

Available in KIT complete with accessories.

### PRACTICAL

Quick-to-respond release system by key.

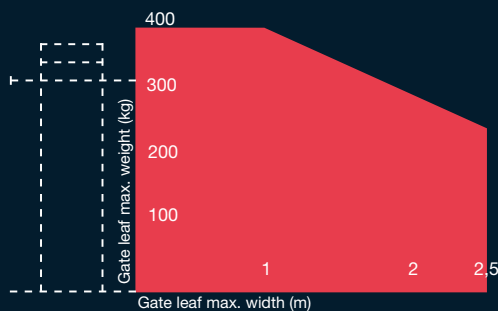
### TESTED AND CERTIFIED

CE marking following type tests.

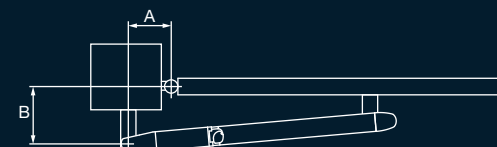
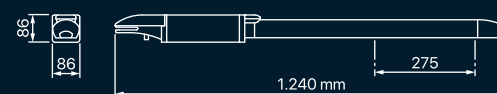
## TECHNICAL DATA

Power supply (Vac – Hz)	230 - 50
Absorbed power (W)	250
Power yield (W)	180
Max. absorbed current (A)	1,2
Rod stroke (mm)	235
Rod diameter (mm)	16
Linear speed opening/closing (mm/s)	~ 16
Opening force (N)	0 ÷ 5.100
Closing force (N)	0 ÷ 6.200
Working temperature (°C)	-25 ÷ +80 [F]
Oil type	708L
Grade of protection IP	67
Frequency of use	intensive
Weight (kg)	9,5

## APPLICATIONS [A]



## OVERALL DIMENSIONS



A (mm) B (mm)

130

130



## NUPI 66

CODE	VERSION	POWER (kW / HP)	HYDRAULIC LOCKING	SINGLE GATE MAX. WIDTH (m) [A]	SINGLE GATE MAX. WEIGHT (kg) [A]
<b>661L</b>	230 Vac 1PH	0,18 / 0,25	on gate closed	2,5	400

Each code includes an oil-hydraulic operator complete with rear and front fixing brackets to weld and two release keys. For gates wider than 2 m per leaf, an electric lock is required.

## SPECIFIC ACCESSORIES



CODE	DESCRIPTION
<b>708L</b>	"FADINI HF.PLI oil" for hydraulic systems, in 2 liter can



**6610L**  
ELPRO 7 RP



**NUPI 66** kit

[A]: The gate structure, size and possible strong winds may affect the values as indicated. Always make sure the gate is adequate to be automatically operated and remove any possible friction points.  
[F]: -40 °C with specific optional accessories, see page 16.



# HINDI 880<sup>EVO</sup>

MAX 550 kg  
4,5 m 230 Vac



## FOR SWINGING GATES

Oil-hydraulic operator on-the-gate mount

For residential, collective and industrial applications



### OIL-HYDRAULIC

The innovative EVO valve design allows, in a single model, to configure the hydraulic locking device as required:

- N** reversible non locking
- A** locking in open position
- B** locking in closed position
- BB** bidirectional locking.

Hydraulic slowdown (braking) in opening only, in closing only, in opening and closing, or non braking at all.

### FUNCTIONAL

Anti-crush safety ensured by the two by-pass valves incorporated in the actuator. Easy release system by customized key.

### QUALITY

Stylish design, external structure made of extruded anodized aluminium and accurate selection of high quality materials to ensure the utmost resistance to weather conditions. Easy to install: an adjustable ball bearing ring provides fixing on to the gate.

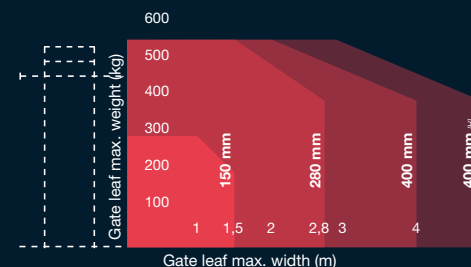
### TESTED AND CERTIFIED

CE marking following type tests.

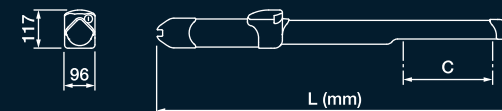
## TECHNICAL DATA

	150	280	400
Rod stroke (mm)	150	280	400
Power supply (Vac – Hz)	230 – 50	230 – 50	230 – 50
Absorbed power (W)	250	250	250
Power yield (W)	180	180	180
Max. absorbed current (A)	1,2	1,2	1,2
Pump flow rate (l/min)	1,4 (P5)	1,4 (P5)   0,85 (P3)	1,4 (P5)   0,85 (P3)
Rod diameter (mm)	20	20	20
Linear speed opening (mm/s)	~ 15	~ 17 (P5)   ~ 11 (P3)	~ 17 (P5)   ~ 11 (P3)
Linear speed closing (mm/s)	~ 14	~ 14 (P5)   ~ 9 (P3)	~ 14 (P5)   ~ 9 (P3)
Opening force (N)	0 ÷ 4.000	0 ÷ 4.200 (P5)   0 ÷ 4.700 (P3)	0 ÷ 4.200 (P5)   0 ÷ 4.700 (P3)
Closing force (N)	0 ÷ 5.600	0 ÷ 5.400 (P5)   0 ÷ 6.300 (P3)	0 ÷ 5.200 (P5)   0 ÷ 6.300 (P3)
Working temperature (°C)	-25 ÷ +80 [F]	-25 ÷ +80 [F]	-25 ÷ +80 [F]
Oil type	708L	708L	708L
Grade of protection IP	67	67	67
Frequency of use	very intensive	very intensive	very intensive
Weight (kg)	9,5	11	14

## APPLICATIONS [A]



## OVERALL DIMENSIONS



C (actual stroke)	145	275	395
L	830	1.094	1.374

## HINDI 880 EVO

CODE	STROKE (mm)	EVO HYDRAULIC LOCKING DEVICE	BRAKING SLOWDOWN	OPENING TIME (s) <sup>[G]</sup>	PUMP	• standard	- not available
						SINGLE GATE MAX. WIDTH (m) <sup>[A]</sup>	SINGLE GATE MAX. WEIGHT (kg) <sup>[A]</sup>
<b>870P5L</b>	150	•	-	~10	P5 fast	1,5	300
<b>87084P5L</b>	150	•	•	~10 + TR <sup>[J]</sup>	P5 fast	1,5	300
<b>880P5L</b>	280	•	-	~17	P5 fast	2,8	550
<b>88084P5L</b>	280	•	•	~17 + TR <sup>[J]</sup>	P5 fast	2,8	550
<b>880P3L</b>	280	•	-	~26	P3 slow	3,2	550
<b>88084P3L</b>	280	•	•	~26 + TR <sup>[J]</sup>	P3 slow	3,2	550
<b>890P5L</b>	400	•	-	~26	P5 fast	4	550
<b>89084P5L</b>	400	•	•	~26 + TR <sup>[J]</sup>	P5 fast	4	550
<b>890P3L</b>	400	•	-	~37	P3 slow	4,5	550
<b>89084P3L</b>	400	•	•	~37 + TR <sup>[J]</sup>	P3 slow	4,5	550
<b>884P3L</b> <sup>[H]</sup>	400	-	-	~ 45	P3 slow	8	550
<b>88484P3L</b> <sup>[H]</sup>	400	-	•	~45 + TR <sup>[J]</sup>	P3 slow	8	550

Each code includes an oil-hydraulic actuator complete with rear and front plates to weld, protection cover with tightening spanner, two keys to open the sliding lid, one release key, rear end cap and electric power supply cable.

[A]: the gate structure, size and possible strong winds may affect the values as indicated. Always make sure the gate is adequate to be automatically operated and remove any possible friction points.

[F]: -40 °C with specific optional accessories, see page 16.

[G]: The value indicated is an average time, it can change depending on external factors.

[H]: Oil-hydraulic actuator fitted with EVO valve assembly without chance of hydraulic locking configuration: the actuator is always reversible, non locking.

[J]: TR is the slowdown time, a value changing according to the adjustment made on the actuator.



## HINDI 880 EVO

### TECHNICAL NOTES

- For gates wider than 2 m per leaf it is required that an electric lock be fitted.
- With gate leaves wider than 4 m, the reversible version (no hydraulic locking device) is recommended plus an electric lock on the gate.
- With all HINDI 880 EVO actuators whose valve configuration is reversible (no hydraulic locking device), an electric lock is required on to the gate.
- On request, HINDI 880 EVO P10 faster (twice as much approx.) than P5 model: it is advisable to consult our technical office for such installations.

### SPECIFIC ACCESSORIES

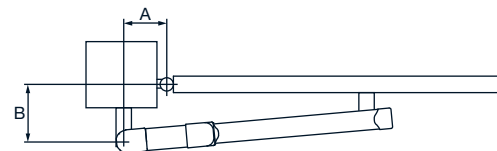
CODE	DESCRIPTION
 <b>8310L</b>	120 x 120 mm zinc-coated plate to weld, for the front fixing bracket
 <b>8311L</b>	150 x 150 mm zinc-coated plate to weld, for the rear fixing bracket
 <b>8312L</b>	84 x 84 mm zinc-coated plate
 <b>708L</b>	"FADINI HF.PLI oil" for hydraulic systems, in 2 liter can

**7047L**

ELPRO 27

### INSTALLATION DISTANCES

Stroke (mm)	OPENING 95°		OPENING 120°	
	A	B	A	B
150	60	80	-	-
280	130	130	130	85
280 braking	120	130	130	80
400	210	180	190	120
400 braking	200	160	200	90







# MEC 800 SPECIAL

MAX 1.200 kg  
10 m 230 Vac



## FOR SWINGING GATES

Oil-hydraulic actuator for on-the-gate mount with separate oil-hydraulic motor-pump

For industrial applications

### SOLID

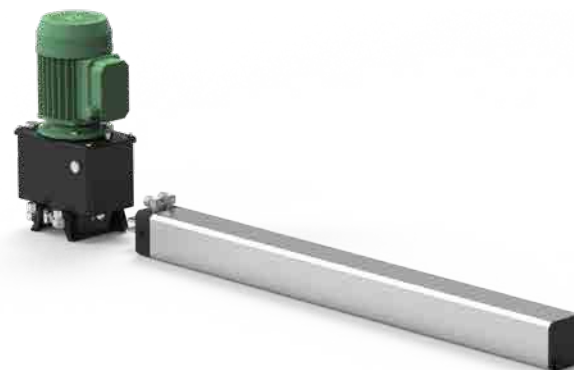
Capable of operating large, (even in-filled) gates, doors and trap doors without limit of operations.

### COMPLETE RANGE

Piston stroke options available up to 1.000 mm. Hydraulic slowdown (braking) on opening/closing (optional). It is possible that even two actuators can be fitted on to one single gate by using the double-tank, oil-hydraulic motor-pump unit.

### RELIABLE

Each component is of extremely high quality level and made to endure any weather conditions. Release by special spanner on the hydraulic motor-pump.



## TECHNICAL DATA

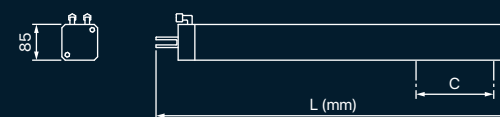
### MEC 700/80 VENTIL MOTOR-PUMP

Power supply (Vac – Hz)	230 - 50
Absorbed power (W)	510
Absorbed current (A)	2,4
Max. pressure (atm)	40
Working temperature (°C)	-25 ÷ +80 [F]
Grade of protection IP	65 [C]
Hydraulic pump flow rate (l/min)	1,6 [P6]   2,6 [P12]
Oil type	708L
Frequency of use	intensive
Weight – code 7014P6L (kg)	10
Weight – code 7012L (kg)	5,5
Weight – code 7037L (kg)	7,2

### ACTUATOR MEC 800 SPECIAL

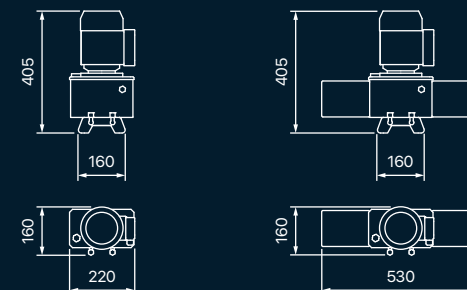
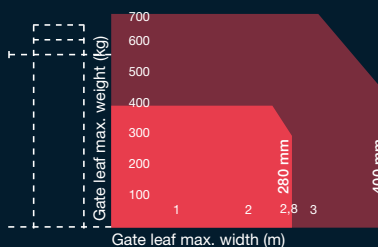
Rod diameter (mm)	22
Piston stroke (mm)	280 / 400 / 500 / 600 / 700 / 800 / 900 / 1.000 mm
Force (N)	0 ÷ 7.000 N

### OVERALL DIMENSIONS



C (actual stroke)	280	400
L	840	1.070

### APPLICATIONS [A]



## MEC 800 SPECIAL

• standard

- not available

CODE	ROD STROKE (mm)	BRAKING SLOWDOWN	SINGLE GATE MAX. WIDTH (m) <sup>[A]</sup> <sup>[J]</sup>	SINGLE GATE MAX. WEIGHT (kg) <sup>[A]</sup>
<b>7012L</b>	280	-	2,8	400
<b>701284L</b>	280	on opening / closing	2,8	400
<b>7037L</b>	400	-	4	700
<b>703784L</b>	400	on opening / closing	4	700
<b>7114L</b>	500	-	5	700
<b>711484L</b>	500	on opening / closing	5	700
<b>7115L</b>	600	-	6	800
<b>711584L</b>	600	on opening / closing	6	800
<b>7116L</b>	700	-	7	900
<b>711684L</b>	700	on opening / closing	7	900
<b>7117L</b>	800	-	8	1.000
<b>711784L</b>	800	on opening / closing	8	1.000
<b>7118L</b>	900	-	9	1.100
<b>711884L</b>	900	on opening / closing	9	1.100
<b>7119L</b>	1.000	-	10	1.200
<b>711984L</b>	1.000	on opening / closing	10	1.200

Each code includes a double-acting oil-hydraulic actuator complete with rear and front fixing plates to weld, joints and protection cover.

## MEC 700/80 VENTIL

CODE	HYDRAULIC LOCKING	PUMP	RESERVOIR TYPE
<b>7014P6L</b>	reversible	P6 slow	single
<b>7014P12L</b>	reversible	P12 fast	single
<b>7022P6L</b>	bidirectional	P6 slow	single
<b>7022P12L</b>	bidirectional	P12 fast	single
<b>701486P6L</b>	reversible	P6 slow	double
<b>701486P12L</b>	reversible	P12 fast	double
<b>702286P6L</b>	bidirectional	P6 slow	double
<b>702286P12L</b>	bidirectional	P12 fast	double

Each code includes an oil-hydraulic motor-pump complete with joints, manual release knob and electric cable for power supply.

[A]: The gate structure, size and possible strong winds may affect the values as indicated. Always make sure the gate is adequate to be automatically operated and remove any possible friction points.

[C]: Inside the housing cover or casing.

[F]: -40 °C with specific optional accessories, see page 16.

[J]: For gate leaves wider than 5 m it is recommended that the gate structure be carefully assessed: gate post and rotation hinges must be adequate to support the gate weight and inertia during the complete cycles of opening and closing.

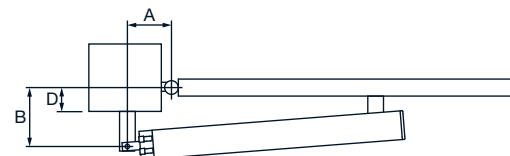
## MEC 800 SPECIAL

### TECHNICAL NOTES

- An electric lock is always recommended with gate leaves wider than 2 m.
- The hydraulic motor-pump unit fitted with a P12 pump operates a gate at a speed that is twice as much as that of a P6 pump (recommended version). Speed varies according to the type of actuator MEC 800 SPECIAL used and gate inertia.
- Installations with two actuators on single-leaf gates (max 400 mm piston stroke) require that the double-tank oil-hydraulic motor-pump be used.
- The double-tank motor-pump unit is also required with 500 - 600 - 700 - 800 - 900 - 1.000 mm piston strokes.
- The reversible (non locking) oil-hydraulic motor-pump unit requires an electric lock on the gate.

### INSTALLATION DISTANCES

Stroke (mm)	A	B	D	Motor run time
280	140	125	70	~ 28 s
280 braking	110	130	70	~ 28 s + TR [I]
400	180	200	130	~ 44 s
400 braking	170	180	120	~ 44 s + TR [I]
500	240	240	170	~ 45 s
500 braking [K]	220	220	150	~ 45 s + TR [I]
600 braking [K]	150	380	[K]	~ 54 s + TR [I]
700 braking [K]	180	450	[K]	~ 63 s + TR [I]
800 braking [K]	200	520	[K]	~ 72 s + TR [I]
900 braking [K]	230	580	[K]	~ 81 s + TR [I]
1.000 braking [K]	240	670	[K]	~ 90 s + TR [I]



[I]: TR is the slowdown time, a value changing according to the adjustment made on the actuator.

[K]: The installation distances for the special strokes are meant to make the most of the slowdown on opening and closing. For these actuators contact our technical office in advance and provide the structural dimensions of the gate to be automated.



## MEC 800 SPECIAL

### SPECIFIC ACCESSORIES



CODE	DESCRIPTION
<b>705L</b>	Copper tube ø 8 mm - 50 m (12,5 kg)
<b>707L</b>	Copper tube ø 8 mm - 4 m (1 kg)
<b>7013L</b>	4-way pipe connecting block
<b>7016L</b>	Zinc-coated metal sheet protection casing for the single-tank oil-hydraulic motor pump MEC 700/80 VENTIL, complete with fastening support. Dimensions (mm): 250x350xh460
<b>7018L</b>	Flexible pipe x 0,6 m
<b>7019L</b>	Flow regulator with connecting joints
<b>7025L</b>	Zinc-coated metal sheet protection enclosure for the double-tank oil-hydraulic motor pump MEC 700/80 VENTIL, complete with fastening support. Dimensions (mm): 250x590xh460
<b>7038L</b>	6-way pipe connecting block
<b>9730L</b>	Thermal probe with 230 Vac - 50 Hz electric resistor, complete with power supply cable, for the oil-hydraulic motor-pump MEC 700/80 VENTIL and COS 982. Factory-fitted.
<b>708L</b>	Hydraulic "FADINI HF.PLI oil", in 2 liter can



**7047L**  
ELPRO 27



# BART 350

MAX 300 kg  
1,8 m 24 Vdc



## FOR SWINGING GATES

On-the-gate mount, irreversible, electromechanical operator with articulated arm

For residential use

### DESIGN

Modern style with a blue LED lamp on the cover to indicate the gate operator status.

### QUIET

24 Vdc irreversible geared motor operator on ball bearings.

### SMART

Simple automatic programming by pulsing a button to set opening time and slowdown time on gate stops or limit switches. Manual programming of the gate delay times.

### SAFE

Crush preventing system by encoder and constant amperometric monitoring to ensure the correct

functioning of the operator, detecting obstacles and reversing gate travel.

### STRONG AND COMPACT

Zinc-coated steel fixing plate. Shearing preventing, zinc-coated steel arm either articulated or sliding on a guide. Limit switch micro-switch and gate stop in open gate (standard) and in closed gate (optional) positions. Overriding by handle and key.

### TESTED AND CERTIFIED

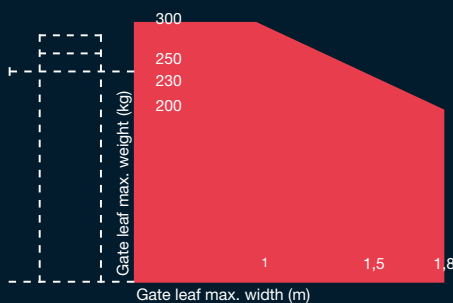
In compliance with EN 12445 and EN 12453 European Norms.



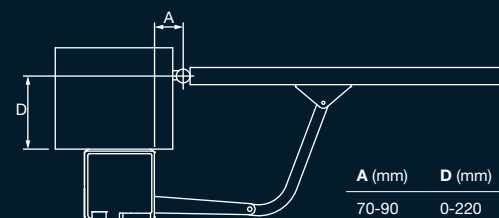
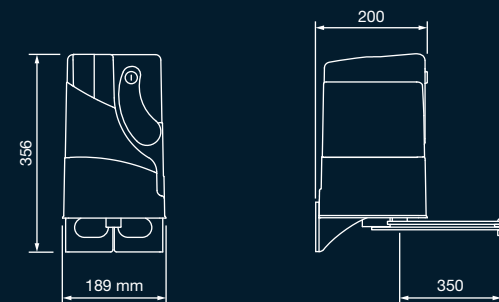
## TECHNICAL DATA

Power supply (Vac - Hz)	230 - 50
Motor voltage (Vdc)	24
Absorbed power (W)	150
Absorbed current (A)	5
Max. torque (Nm)	180
Opening-closing time (s)	16 (95°)
Working temperature (°C)	-20 ÷ +50
Grade of protection IP	53
Kind of lubrication	grease
Weight (kg)	10
Frequency of use	intensive

## APPLICATIONS <sup>[A]</sup>



## OVERALL DIMENSIONS



## BART 350

CODE	VERSION	INCORPORATED 	SINGLE GATE MAX. WIDTH (m) <sup>[A]</sup>	SINGLE GATE MAX. WEIGHT (kg) <sup>[A]</sup>
<b>351L</b>	BART 350 Master 24 Vdc	ELPRO 35M	1,8	300
<b>352L</b>	BART 350 Slave 24 Vdc	ELPRO 35S	1,8	300

Each code includes an electromechanical geared motor operator complete with fixing plate, two cams and three limit switch micro-switches, mechanical gate stop in open gate position, two keys for the release handle and electronic control board (ELPRO 35M for code 351L or ELPRO 35S for code 352L).

## SPECIFIC ACCESSORIES

	CODE	DESCRIPTION
	<b>358L</b>	Zinc-coated steel articulated arm
	<b>359L</b>	Zinc-coated steel straight arm with sliding guide
	<b>360L</b>	Mechanical gate stop in closed gate position, with fixing screws



**3518L**  
ELPRO 35M

**3519L**  
ELPRO 35S



**BART 350** kit

[A]: The gate structure, size and possible strong winds may affect the values as indicated. Always make sure the gate is adequate to be automatically operated and remove any possible friction points.



# APROLI 280 BATT

MAX 400 kg  
2 m 230 Vac



## FOR SWINGING GATES

On-the-gate mount, oil-hydraulic operator with articulated arm

For residential and collective use

### DISCREET

For installation on gates where large pillars are involved: capable of a powerful though quiet action. Easy to install.

### OIL-HYDRAULIC

Wide range of versions to meet any installation requirements: reversible non locking, locking by an oil-hydraulic valve device in opening and closing, with flow regulator.

### SAFE

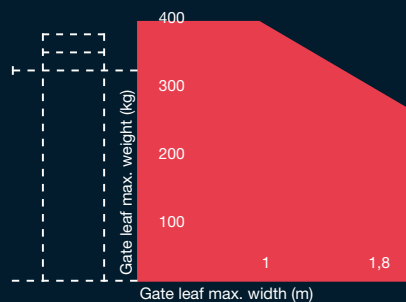
Cataphoresis treated, pressure cast aluminium, shearing preventing articulated arm. Manual override accessed by key. Anti-crush safety ensured by the by-pass valves incorporated in the operator.



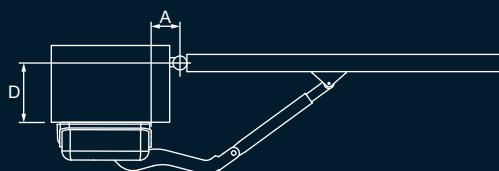
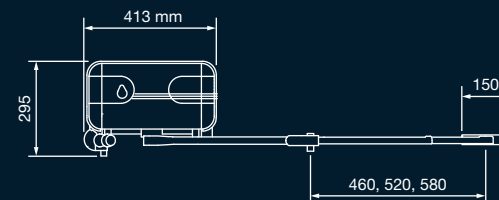
## TECHNICAL DATA

Power supply (Vac – Hz)	230 - 50
Absorbed power (W)	250
Absorbed current (A)	1,2
Power yield (kW / HP)	0,18 / 0,25
Torque (Nm)	220 - 300
Shaft rotation	205°
Opening time (s)	23
Working temperature (°C)	-20 ÷ +80 [F]
Grade of protection IP	67
Oil type	708L
Weight including arm (kg)	15
Frequency of use	semi-intensive

## APPLICATIONS [A]



## OVERALL DIMENSIONS



A (mm)	D (mm)
70	200-500

## APROLI 280 BATT

CODE	HYDRAULIC LOCKING	FLOW REGULATOR	ARTICULATED ARM	• standard	- not available
				SINGLE GATE MAX. WIDTH (m) <sup>[A]</sup>	SINGLE GATE MAX. WEIGHT (kg) <sup>[A]</sup>
<b>281L</b>	bidirectional	-	•	2	400
<b>282L</b>	bidirectional	-	-	2	400
<b>285L</b>	reversible	-	•	2	400
<b>286L</b>	reversible	-	-	2	400
<b>287L</b>	bidirectional	•	•	2	400

Each code includes an oil-hydraulic operator complete with cover, extendable articulated arm (where indicated), fixing bracket, two keys to access the release device. For the hydraulic non-locking (reversible) models, an electric lock is required.

## SPECIFIC ACCESSORIES



CODE	DESCRIPTION
<b>283L</b>	Extendable articulated arm
<b>708L</b>	Hydraulic "FADINI HF.PLI oil", in 2 liter can



**7047L**

ELPRO 27

[A]: The gate structure, size and possible strong winds may affect the values as indicated. Always make sure the gate is adequate to be automatically operated and remove any possible friction points.  
[F]: -40 °C with specific optional accessories, see page 16.



# APROLI 280/700 ROBUSTO

MAX 400 kg  
3 m 230 Vac



## FOR SWINGING GATES

On-the-gate mount, oil-hydraulic operator with articulated arm

For residential and industrial use

### DISCREET

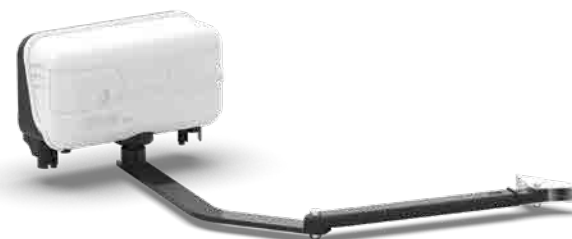
For installation on gates where large pillars are involved: capable of a powerful though quiet action. Easy to install.

### OIL-HYDRAULIC

Anti-crush safety ensured by the by-pass valves incorporated in the operator. Available with bidirectional oil-hydraulic locking device (irreversible).

### STRONG

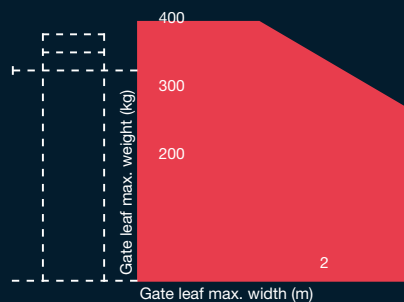
Cataphoresis treated steel, shearing preventing articulated arm. Manual override accessed by key.



## TECHNICAL DATA

Power supply (Vac – Hz)	230 - 50
Absorbed power (W)	250
Absorbed current (A)	1,2
Power yield (kW / HP)	0,18 / 0,25
Torque (Nm)	250-400
Shaft rotation	130°
Opening time (s)	23
Working temperature (°C)	-20 ÷ +80 [F]
Grade of protection IP	67
Oil type	708L
Weight including arm (kg)	19
Frequency of use	semi-intensive

## APPLICATIONS [A]

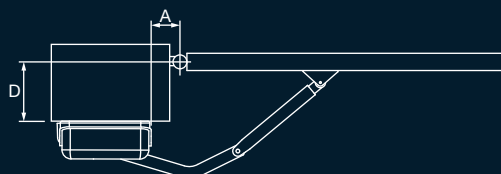
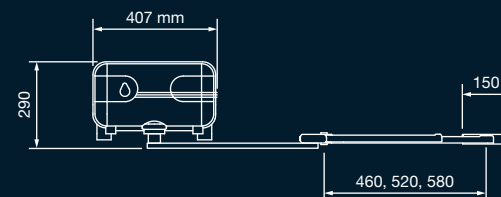


APROLI 280/700  
LEFT-HANDED



APROLI 280/700  
RIGHT-HANDED

## OVERALL DIMENSIONS



A (mm)	D (mm)
70	150-450

## APROLI 280/700 ROBUSTO

CODE	VERSION	HYDRAULIC LOCKING	ARTICULATED ARM	• standard	- not available
				SINGLE GATE MAX. WIDTH (m) <sup>[A]</sup>	SINGLE GATE MAX. WEIGHT (kg) <sup>[A]</sup>
<b>298DXL</b>	right-handed	bidirectional	•	3	400
<b>298SXL</b>	left-handed	bidirectional	•	3	400

Each code includes an oil-hydraulic operator complete with cover, extendable articulated arm, fixing bracket, two keys to access the release device. With gate leaves wider than 2 m it is required that an electric lock be fitted on to the gate.

### SPECIFIC ACCESSORIES



CODE	DESCRIPTION
<b>299DXL</b>	Right-handed extendable articulated arm
<b>299SXL</b>	Left-handed extendable articulated arm
<b>708L</b>	Hydraulic "FADINI HF.PLI oil", in 2 liter can



**7047L**

ELPRO 27

[A]: The gate structure, size and possible strong winds may affect the values as indicated. Always make sure the gate is adequate to be automatically operated and remove any possible friction points.  
[F]: -40 °C with specific optional accessories, see page 16.



# COMBI 740

MAX 700 kg  
4 m 230 Vac



## FOR SWINGING GATES

Under-the-ground mount oil-hydraulic operator  
For residential and industrial applications

### DISCREET, STRONG AND INVISIBLE

All-in-one, oil-hydraulic operator made up of a hydraulic motor-pump unit and an integrated cylinder (jack), housed inside a foundation box made of treated steel (3 mm thickness and electrolytic galvanization) ensuring high resistance to corrosion. Foundation box (enclosure) available in AISI 304 stainless steel option. No particular maintenance required.

### OIL-HYDRAULIC

Wide range of versions (right- and left-handed) to meet any installation requirements: reversible without hydraulic locking device, irreversible with bidirectional hydraulic locking device, with hydraulic slowdown (braking) in opening and closing and with

flow regulator. Anti-crush safety ensured by the by-pass valves fitted on to the operator. 110° or 175° shaft rotation options; quiet and reliable operations.

### SAFE

Pressed steel emergency release bracket, easy to operate from both inside and outside the gate by means of a specially designed spanner with ergonomic grip.

### TESTED AND CERTIFIED

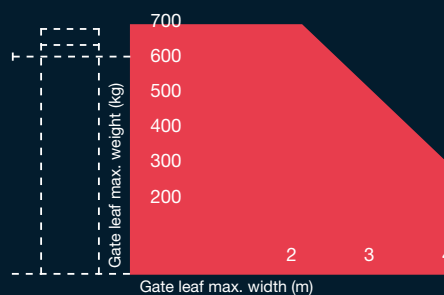
CE marking following type tests.



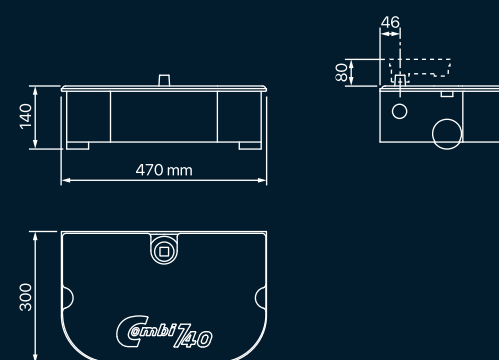
## TECHNICAL DATA

Power supply (Vac – Hz)	230 - 50
Absorbed power (W)	250
Absorbed current (A)	1,2
Power yield (kW / HP)	0,18 / 0,25
Torque (Nm)	250-400
Working temperature (°C)	-20 ÷ +80 [F]
Grade of protection IP	67
Oil type	708L
Opening/closing time (s)	~ 23 [110°] ~ 28 [175°]
Weight including box (kg)	27
Frequency of use	intensive

## APPLICATIONS [A]



## OVERALL DIMENSIONS





**COMBI 740 110°**

• standard

- not available

CODE	VERSION	BIDIRECTIONAL HYDRAULIC LOCKING (irreversible)	SLOWDOWN BRAKING	FLOW REGULATOR	SINGLE GATE MAX. WIDTH (m) <sup>[A]</sup>	SINGLE GATE MAX. WEIGHT (kg) <sup>[A]</sup>
<b>767N3DXL</b>	right	-	-	-	3	700
<b>767N3SXL</b>	left	-	-	-	3	700
<b>7677BB3DXL</b>	right	•	-	-	3	700
<b>7677BB3SXL</b>	left	•	-	-	3	700
<b>76778BB3DXL</b>	right	•	•	-	4	700
<b>76778BB3SXL</b>	left	•	•	-	4	700
<b>767789BB3DXL</b>	right	•	•	•	4	700
<b>767789BB3SXL</b>	left	•	•	•	4	700
<b>76779BB3DXL</b>	right	•	-	•	4	700
<b>76779BB3SXL</b>	left	•	-	•	4	700
<b>7678N3DXL</b>	right	-	•	-	4	700
<b>7678N3SXL</b>	left	-	•	-	4	700
<b>76789N3DXL</b>	right	-	•	•	4	700
<b>76789N3SXL</b>	left	-	•	•	4	700
<b>7679N3DXL</b>	right	-	-	•	4	700
<b>7679N3SXL</b>	left	-	-	•	4	700

Each code includes an oil-hydraulic operator complete with electric power supply cable.  
 With those codes that include the letter "N" (non locking - reversible) an electric lock is needed.  
 With gate leaves wider than 2 m, an electric lock is also required.



**COMBI 740 175°**

• standard

- not available

CODE	VERSION	BIDIRECTIONAL HYDRAULIC LOCKING (irreversible)	SLOWDOWN BRAKING	FLOW REGULATOR	SINGLE GATE MAX. WIDTH (m) <sup>[A]</sup>	SINGLE GATE MAX. WEIGHT (kg) <sup>[A]</sup>
<b>769N3DXL</b>	right	-	-	-	3	700
<b>769N3SXL</b>	left	-	-	-	3	700
<b>7697BB3DXL</b>	right	•	-	-	3	700
<b>7697BB3SXL</b>	left	•	-	-	3	700
<b>76978BB3DXL</b>	right	•	•	-	4	700
<b>76978BB3SXL</b>	left	•	•	-	4	700
<b>769789BB3DXL</b>	right	•	•	•	4	700
<b>769789BB3SXL</b>	left	•	•	•	4	700
<b>76979BB3DXL</b>	right	•	-	•	4	700
<b>76979BB3SXL</b>	left	•	-	•	4	700
<b>7698N3DXL</b>	right	-	•	-	4	700
<b>7698N3SXL</b>	left	-	•	-	4	700
<b>76989N3DXL</b>	right	-	•	•	4	700
<b>76989N3SXL</b>	left	-	•	•	4	700
<b>7699N3DXL</b>	right	-	-	•	4	700
<b>7699N3SXL</b>	left	-	-	•	4	700

Each code includes an oil-hydraulic operator complete with electric power supply cable.  
 With those codes that include the letter "N" (non locking - reversible) an electric lock is needed.  
 With gate leaves wider than 2 m, an electric lock is also required.



**COMBI 740**

• standard

- not available

**SPECIFIC ACCESSORIES**

	CODE	DESCRIPTION	VERSION	ROTATION
	<b>745L</b>	Foundation box made of zinc-coated steel complete with aluminium cover	-	110°/175°
	<b>746DXL</b>	Zinc-coated steel plate with F-ring with square hole to be welded under the gate	right	110°/175°
	<b>746SXL</b>	Zinc-coated steel plate with F-ring with square hole to be welded under the gate	left	110°/175°
	<b>747L</b>	Zinc-coated steel, preparatory distance support with base plate and bronze washer. It is used inside the foundation box to allow manual opening and closing of the gate without any motor operator fitted to it	-	110°/175°
	<b>748DXL</b>	Zinc-coated, pressed steel manual emergency release bracket with spanner having an ergonomic grip, to be fitted under the gate	right	110°/175°
	<b>748SXL</b>	Zinc-coated, pressed steel manual emergency release bracket with spanner having an ergonomic grip, to be fitted under the gate	left	110°/175°
	<b>761L</b>	F-ring with square hole to be welded under the gate	-	110°/175°
	<b>762L</b>	Foundation box made of AISI 304 stainless steel complete with aluminium cover	-	110°/175°
	<b>7033L</b>	Zinc-coated steel arm and guide for off-axis gate installations. Only for COMBI 740 175° and DRIVE 700 175°	-	175°
	<b>708L</b>	Hydraulic “FADINI HF.PLI oil”, in 2 liter can	-	-


**7047L**

ELPRO 27

[A]: The gate structure, size and possible strong winds may affect the values as indicated. Always make sure the gate is adequate to be automatically operated and remove any possible friction points.  
 [F]: -40 °C with specific optional accessories, see page 16.



# COMBI 787

MAX 1.000 kg  
6 m 230 Vac



## FOR SWINGING GATES

Under-the-ground mount oil-hydraulic operator  
For residential and industrial applications

### DISCREET, STRONG AND INVISIBLE

All-in-one, oil-hydraulic operator made up of a hydraulic motor-pump unit and an integrated cylinder (jack), housed inside a gate supporting foundation box made of treated steel (5 mm thickness and electrolytic galvanization) ensuring high resistance to corrosion. Foundation box available in AISI 304 stainless steel as an option. It is possible to fit mechanical gate stops, adjustable in open and closed gate positions, directly inside it. The operator can be installed or removed without having to remove the gate. No particular maintenance is required.

### OIL-HYDRAULIC

Wide range of versions to meet any installation requirements: reversible without hydraulic locking device, irreversible with bidirectional hydraulic

locking device, with hydraulic slowdown (braking) in opening and closing, with flow regulator. Anti-crush safety ensured by the by-pass valves fitted on to the operator. 110° shaft rotation; quiet and reliable operations.

### SAFE

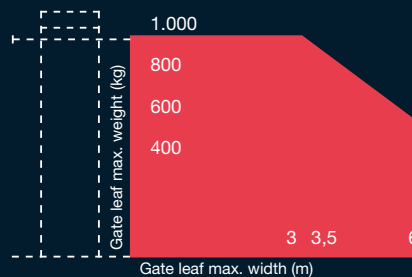
Pressed steel emergency release bracket, easy to operate from both inside and outside the gate by means of a specially designed spanner with ergonomic grip.



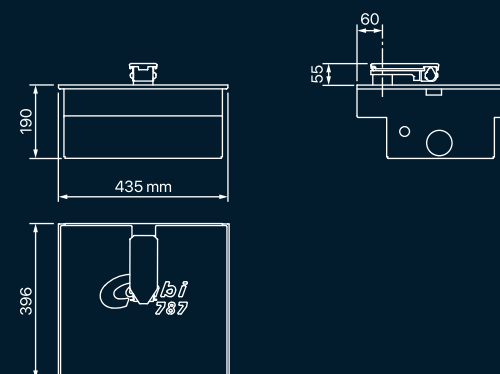
## TECHNICAL DATA

Power supply (Vac – Hz)	230 - 50
Absorbed power (W)	330
Absorbed current (A)	1,8
Power yield (kW / HP)	0,24 / 0,33
Torque (Nm)	250-400
Working temperature (°C)	-20 ÷ +80 [F]
Grade of protection IP	67
Oil type	708L
Opening/closing time (s)	~ 23 [110°]
Weight including box (kg)	34
Frequency of use	intensive

## APPLICATIONS <sup>[A]</sup>



## OVERALL DIMENSIONS



## COMBI 787

• standard

- not available

CODE	BIDIRECTIONAL HYDRAULIC LOCKING (irreversible)	SLOWDOWN BRAKING	FLOW REGULATOR	SINGLE GATE MAX. WIDTH (m) <sup>[A]</sup>	SINGLE GATE MAX. WEIGHT (kg) <sup>[A]</sup>
<b>787N3L</b>	-	-	-	6	1.000
<b>7877BB3L</b>	•	-	-	6	1.000
<b>78778BB3L</b>	•	•	-	6	1.000
<b>787789BB3L</b>	•	•	•	6	1.000
<b>7878N3L</b>	-	•	-	6	1.000
<b>78789N3L</b>	-	•	•	6	1.000
<b>78779BB3L</b>	•	-	•	6	1.000
<b>7879N3L</b>	-	-	•	6	1.000

Each code includes an oil-hydraulic operator complete with electric power supply cable. With those codes that include the letter “N” (non locking - reversible) an electric lock is needed. With gate leaves wider than 2 m, an electric lock is also required.



## SPECIFIC ACCESSORIES



CODE	DESCRIPTION
<b>7871L</b>	Gate supporting foundation box, complete with cover, both made of zinc-coated steel. It makes installation and maintenance easier as there is no need to remove the gate
<b>7872L</b>	Pressed steel, zinc-coated complete set for emergency manual release to be fitted under the gate, spanner with ergonomic grip and open/close mechanical stops
<b>7873L</b>	Gate supporting foundation box with cover: both components are AISI 304 stainless steel, 3 mm. It makes installation and maintenance easier as there is no need to remove the gate
<b>708L</b>	Hydraulic “FADINI HF.PLI oil”, in 2 liter can



**7047L**

ELPRO 27

[A]: The gate structure, size and possible strong winds may affect the values as indicated. Always make sure the gate is adequate to be automatically operated and remove any possible friction points.  
[F]: -40 °C with specific optional accessories, see page 16.



# DRIVE 700

MAX 700 kg  
4 m 230 Vac



## FOR SWINGING GATES

Under-the-ground mount oil-hydraulic operator with separate oil-hydraulic motor-pump

For residential and industrial applications

### POWERFUL AND RELIABLE

Oil-hydraulic motor-pump installed separately from the oil-hydraulic jack which is inside an aluminium foundation box, with a fixing plate made of steel treated with electrolytic galvanization.

### OIL-HYDRAULIC

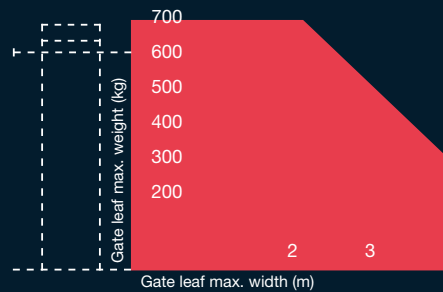
Wide range of versions to meet any installation requirements: reversible without hydraulic locking device, irreversible with bidirectional hydraulic locking device, with hydraulic slowdown (braking) in opening and closing. 110° and 175° shaft rotation options. Anti-crush safety ensured by the by-pass valves fitted on the motor-pump. Quiet and reliable operations.



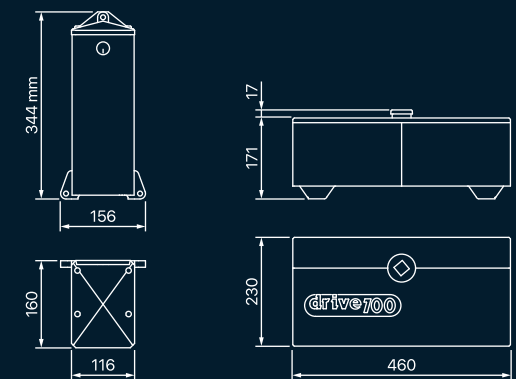
## TECHNICAL DATA

Power supply (Vac – Hz)	230 - 50
Absorbed power (W)	400
Absorbed current (A)	2
Max. torque (Nm)	235
Max. pressure (atm)	30
Opening/closing time (s)	~ 23 [110°] ~ 28 [175°]
Working temperature (°C)	-20 ÷ +80 [F]
Grade of protection IP	67
Oil type	708L
Motor-pump static weight (kg)	8
Weight of jack and accessories (kg)	16
Frequency of use	semi-intensive

## APPLICATIONS <sup>[A]</sup>



## OVERALL DIMENSIONS



## DRIVE 700 JACK

CODE	ROTATION	SLOWDOWN BRAKING	• standard                      - not available	
			SINGLE GATE MAX. WIDTH (m) [A]	SINGLE GATE MAX. WEIGHT (kg) [A]
<b>710L</b>	110°	-	3	700
<b>711L</b>	110°	•	4	700
<b>712L</b>	175°	-	3	700
<b>713L</b>	175°	•	4	700

Each code includes one oil-hydraulic jack; the foundation box is not included. With gate leaves wider than 2 m, an electric lock is needed.



## SPECIFIC ACCESSORIES

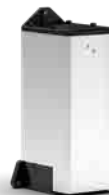
CODE	DESCRIPTION
<b>7027L</b>	Foundation box complete with aluminium cover, F-ring with square hole and zinc-coated steel anchoring plate
<b>7029L</b>	F-ring with square hole to be welded under the gate
<b>7033L</b>	Zinc-coated steel arm and guide for off-axis gate installations. Only for COMBI 740 175° and DRIVE 700 175°
<b>705L</b>	Copper tube ø 8 mm - 50 m (12,5 kg)
<b>707L</b>	Copper tube ø 8 mm - 4 m (1 kg)
<b>708L</b>	Hydraulic "FADINI HF.PLI oil", in 2 liter can



## DRIVE 700 ESTRU HYDRAULIC MOTOR-PUMP

CODE	HYDRAULIC LOCKING
<b>701L</b>	reversible
<b>7021L</b>	bidirectional

Each code includes one oil-hydraulic motor-pump with joints, manual release knob and electric power supply cable. An electric lock is needed with the non locking - reversible version.



**7047L**  
ELPRO 27

[A]: The gate structure, size and possible strong winds may affect the values as indicated. Always make sure the gate is adequate to be automatically operated and remove any possible friction points.  
[F]: -40 °C with specific optional accessories, see page 16.

---

Automations for  
**INDUSTRIAL  
AND GARAGE  
DOORS**







## **APROLI 380 LB**

74

---

## **MEC 200 LB**

76

---

## **FIBO 300 LB / FIBO 400 LB**

78

---

## **APROLI 480**

80

---



# GUIDE TO CHOICE

FOR FOLDING DOORS  
WITH TWO PANELS



## APROLI 380 LB

max 250 kg  
230 Vac



FOR SECTIONAL, FOLDING  
AND INDUSTRIAL DOORS



## MEC 200 LB

0,5 HP 

max 25 m<sup>2</sup>  
230 Vac 1PH  
230/400 Vac 3PH

1 HP 

max 50 m<sup>2</sup>  
230 Vac 1PH  
230/400 Vac 3PH

1,5 HP 

max 50 m<sup>2</sup>  
230/400 Vac 3PH

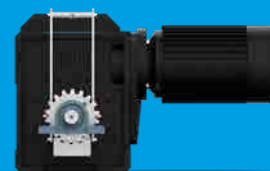
FOR INDUSTRIAL DOORS



## FIBO

300 LB 

1,5 HP  
3PH  
> 50 m<sup>2</sup>  
230/400 Vac



400 LB 

3 HP  
3PH  
> 50 m<sup>2</sup>  
230/400 Vac

FOR OVERHEAD DOORS



# APROLI 480

max 7 m<sup>2</sup>  
230 Vac





# APROLI 380<sup>LB</sup>

MAX 250 kg 230 Vac



## FOR FOLDING DOORS WITH TWO PANELS

Oil-hydraulic operator

For industrial applications

### OIL-HYDRAULIC

Anti-crush safety ensured by the by-pass valves fitted on the operator. Smooth movements and reliable performance.

### SAFE

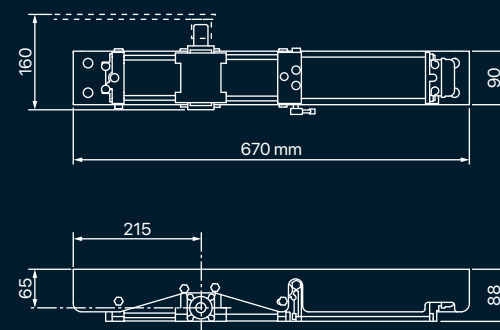
Manual overriding by lever on the operator.



## TECHNICAL DATA

Power supply (Vac – Hz)	230 - 50
Absorbed power (W)	250
Absorbed current (A)	1,2
Power yield (kW – HP)	0,24 - 0,33
Opening/closing time (s)	~ 23
Max. torque (Nm)	196,2
Working temperature (°C)	-20 ÷ +80 [F]
Grade of protection IP	67
Oil type	708L
Operator static weight (kg)	10,5
Shaft rotation	max 205°
Max. 2-panel gate weight (kg)	250
Frequency of use	intensive

## OVERALL DIMENSIONS



## APROLI 380 LB

CODE	VERSION	HYDRAULIC LOCKING	MAX. WEIGHT (kg) <sup>[A]</sup>
<b>394DXL</b>	right-handed	bidirectional	250
<b>394SXL</b>	left-handed	bidirectional	250

Each code includes an oil-hydraulic operator, bidirectional hydraulic locking (irreversible) type, with release lever.

### SPECIFIC ACCESSORIES



CODE	DESCRIPTION
<b>395L</b>	Protection cover



<b>396L</b>	Fixing hardware kit for one operator. The kit includes the following zinc-coated steel items: fixing bracket, bushing with square hole and telescopic arm
-------------	---



<b>708L</b>	Hydraulic "FADINI HF.PLI oil", in 2 liter can
-------------	---



**7047L**  
ELPRO 27

[A]: The gate structure, size and possible strong winds may affect the values as indicated. Always make sure the gate is adequate to be automatically operated and remove any possible friction points.  
[F]: -40 °C with specific optional accessories, see page 16.

# MEC 200<sup>LB</sup>

MAX 50 m<sup>2</sup> 230 Vac  
400 Vac

## FOR SECTIONAL, FOLDING AND INDUSTRIAL DOORS

Electromechanical geared motor operator with chain drive system

For industrial applications



### STRONG

230 Vac and 400 Vac geared motor operator, coupling of the worm gear with the bronze crown gear in an oil bath, on ball bearings.

### SIMPLE

Adjustment of the torque by mechanical clutch and of the limit switch stop positions on opening and closing.

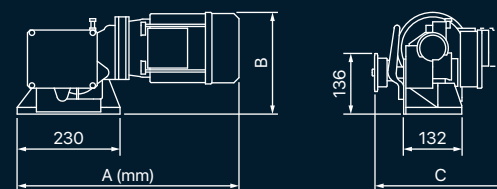
### SAFE

Manual override by release lever, complete with metal cable and key to reset the device. Wide range of accessories for a complete installation.

## TECHNICAL DATA

	0,5 HP - 1PH	0,5 HP - 3PH	1 HP - 1PH	1 HP - 3PH	1,5 HP - 3PH
Power supply (Vac – Hz)	230 - 50	230/400 - 50	230 - 50	230/400 - 50	230/400 - 50
Absorbed power (W)	510	575	1.130	1.030	1.500
Absorbed current (A)	2,4	2,1/1,2	5,7	3,7/2,2	5,1/3
Power yield (kW)	0,37	0,37	0,73	0,73	1,1
Rated torque (Nm)	40	40	80	80	110
Gear ratio	1/32	1/32	1/32	1/32	1/32
Working temperature (°C)	-20 ÷ +80	-20 ÷ +80	-20 ÷ +80	-20 ÷ +80	-20 ÷ +80
Travel speed (m/min)	9,6 Z20 1/2"	9,6 Z20 1/2"	9,6 Z20 1/2"	9,6 Z20 1/2"	9,6 Z20 1/2"
Limit switch	mechanical	mechanical	mechanical	mechanical	mechanical
Grade of protection IP	55	55	55	55	55
Oil type	706L	706L	706L	706L	706L
Weight (kg)	19	18	23	21	25
Door surface (m <sup>2</sup> )	25	25	50	50	50
Frequency of use	intensive	intensive	intensive	intensive	intensive

## OVERALL DIMENSIONS



ELECTRIC MOTORS		A	B	C
		0,5 HP (0,37 kW)	1PH 405	230
	3PH 390	220	225	
1 HP (0,73 kW)	1PH 470	225	290	
	3PH 460	225	255	
1,5 HP (1,1 kW)	3PH 460	225	255	

## MEC 200 LB

CODE	VERSION	POWER (kW / HP)	AIR-COOLED MOTOR WITH ELECTRO-BRAKE	DOOR SURFACE (m <sup>2</sup> )
<b>20514L</b>	230 Vac 1PH	0,37 / 0,5	-	25
<b>2052567L</b>	230 Vac 1PH	0,73 / 1	•	50
<b>2051L</b>	230/400 Vac 3PH	0,37 / 0,5	-	25
<b>2052L</b>	230/400 Vac 3PH	0,73 / 1	-	50
<b>2058L</b>	230/400 Vac 3PH	1,1 / 1,5	-	50
<b>205267L</b>	230/400 Vac 3PH	0,73 / 1	•	50
<b>205867L</b>	230/400 Vac 3PH	1,1 / 1,5	•	50
<b>205148L</b>	230 Vac 1PH reversible [B]	0,37 / 0,5	-	25
<b>205180L</b>	230/400 Vac 3PH reversible [B]	0,37 / 0,5	-	25

Each code includes an electromechanical geared motor operator with 1/2" Z20 pinion, incorporated clutch and cable-operated override. The limit switch is not standard, but an accessories on request (code 2059L).

## SPECIFIC ACCESSORIES

CODE	DESCRIPTION		
<b>2036L</b>	Zinc-coated pinion 1/2" Z40, hole ø 25 mm		
<b>2046L</b>	Zinc-coated steel base plate for wall fixing		
<b>2053L</b>	Chain stretcher with 1/2" Z20 pinion and zinc-coated steel support bracket with adjusting device		
<b>2054L</b>	1/2" chain, 5 m length		
<b>2055L</b>	Zinc-coated pinion 1/2" Z20		
<b>2056L</b>	Zinc-coated pinion 1/2" Z20 with shaft and bearing		
<b>2057L</b>	Opening and closing limit switch, to be fitted externally from the geared motor operator		
<b>706L</b>	Gear oil type "FADINI UTTO oil", in 2 liter can		
		<b>2044L</b> Cable-operated release lever, complete with 7 m metal cable and key to reset the device	<b>2049L</b> MEC 200 LB gear box complete with base, clutch, incorporated limit switch
		<b>2059L</b> Incorporated limit switch complete with box, micro-switches, terminal board, gears and adjustments. Suitable to doors up to 8 m max. width. Factory fitted	<b>2050L</b> MEC 200 LB gear box complete with base, clutch



### 7087L

ELPRO 37

[B]: It is possible to open or close the gate by hand in case of power failure; no need that release handle or release spanner be operated.

# FIBO 300 LB FIBO 400 LB

> 50 m<sup>2</sup>

230/400  
Vac



## FOR INDUSTRIAL DOORS

Electromechanical geared motor operator with chain drive system

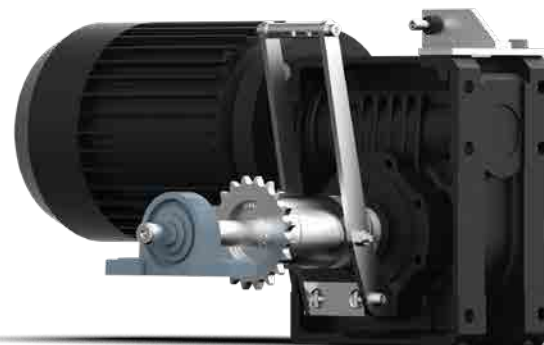
For industrial applications

### RELIABLE

Geared motor operator for applications where transmission is by metal chain, specific for industrial doors sliding on a guide system, single panel or multi-panels folding to one side. Coupling of the worm gear with the bronze crown gear in an oil bath, on ball bearings.

### STRONG

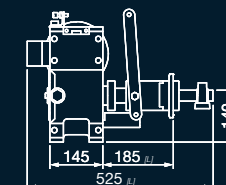
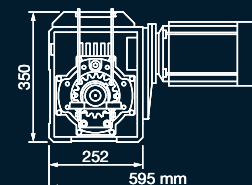
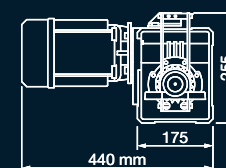
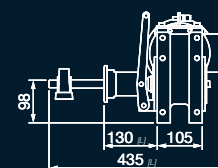
Safe thanks to the mechanical clutch. Manual release system allowing hand operations of the door in case of electric power failure.



## TECHNICAL DATA

	1,5 HP - 3PH	3 HP - 3PH
Power Supply (Vac - Hz)	230/400 - 50/60	230/400 - 50/60
Absorbed power (W)	1.500	2.800
Absorbed current (A)	5,1/3	9,4/5,4
Power yield (kW / HP)	1,1 - 1,5	2,2 - 3
Motor revolutions (rpm - Hz)	1.400 - 50 1.700 - 60	1.400 - 50 1.700 - 60
Rated torque (Nm - Hz)	300 - 50	840 - 50
Rated torque (Nm - Hz)	247 - 60	700 - 60
Travel speed (m/min - rpm - Hz)	9 - 1.400 - 50	9 - 1.400 - 60
Travel speed (m/min - rpm - Hz)	11 - 1.700 - 50	11 - 1.700 - 60
Gear ratio	1/40	1/56
Working temperature (°C)	-25 ÷ +80	-25 ÷ +80
Limit switch	external	external
Grade of protection IP	55	55
Oil type	706L	706L
Weight (kg)	28	52
Frequency of use	intensive	intensive

## OVERALL DIMENSIONS





## FIBO 300 LB - FIBO 400 LB

CODE	MODEL	VERSION	POWER (kW / HP)	GEAR RATIO	PINION	SPEED	DOOR SURFACE (m <sup>2</sup> )
<b>2220L</b>	FIBO 300 LB	230/400 Vac 50 Hz 3PH	1,1 / 1,5	1:40	Z20 - ½"	9 m/min - 50 Hz 1.400 rpm	> 50
		230/400 Vac 60 Hz 3PH	1,1 / 1,5	1:40	Z20 - ½"	11 m/min - 60 Hz 1.700 rpm	> 50
<b>2223L</b>	FIBO 400 LB	230/400 Vac 50 Hz 3PH	2,2 / 3	1:56	Z18 - ¾"	9 m/min - 50 Hz 1.400 rpm	> 50
		230/400 Vac 60 Hz 3PH	2,2 / 3	1:56	Z18 - ¾"	11 m/min - 60 Hz 1.700 rpm	> 50

Each code includes a geared motor operator complete with mechanical clutch, pinion for the chain and manual release system. For this kind of geared motors it is recommended that our technical office be contacted for further information and limits of application.

## SPECIFIC ACCESSORIES



CODE	DESCRIPTION
<b>706L</b>	Gear oil type "FADINI UTTO oil", in 2 liter can



**7185L**  
ELPRO 37 HP



# APROLI 480

MAX 7 m<sup>2</sup> 230 Vac



## FOR OVERHEAD DOORS

Oil-hydraulic operator

For residential applications

### POWERFUL AND QUIET

230 Vac oil-hydraulic operator for up-and-over doors, either jutting or non jutting types. By-pass valves ensure anti-crust safety.

### SIMPLE

To install and fix, adaptable even to existing doors.

### FUNCTIONAL

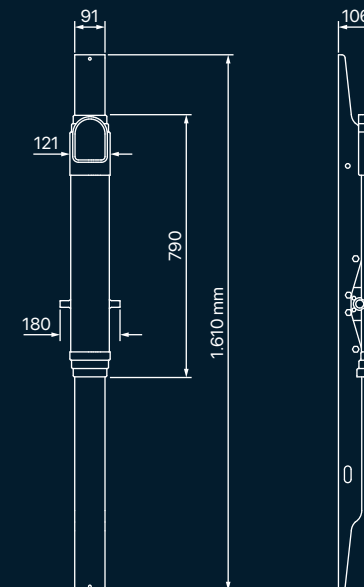
In its streamlined design with incorporated courtesy light.



## TECHNICAL DATA

Power supply (Vac – Hz)	230 - 50
Absorbed power (W)	330
Absorbed current (A)	1,8
Power yield (kW – HP)	0,24 - 0,33
Torque (Nm)	220-300
Working temperature (°C)	-20 ÷ +80 [F]
Opening/closing time (s)	~ 18 [205°]
Grade of protection IP	67
Oil type	708L
Weight (kg)	11
Door surface (m <sup>2</sup> )	7
Frequency of use	very intensive

## OVERALL DIMENSIONS





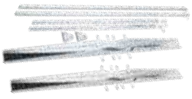





## APROLI 480

CODE	HYDRAULIC LOCKING	POWER (kW / HP)	DOOR SURFACE (m <sup>2</sup> )
------	-------------------	-----------------	--------------------------------

<b>482L</b>	bidirectional	0,24 / 0,33	7
-------------	---------------	-------------	---

The code number includes an oil-hydraulic operator, but not the fixing hardware.

### SPECIFIC ACCESSORIES

	CODE	DESCRIPTION
	<b>244L</b>	External release device with lock, two keys and metal cable
	<b>483L</b>	Hardware fixing kit for one APROLI 480 operator. The kit includes the following zinc-coated steel items: telescopic arms, 1,5 m transmission bars, fixing bracket and two bar supports
	<b>484L</b>	Hardware fixing kit for two APROLI 480 operators on the same door. The kit includes the following zinc-coated steel items: telescopic arms, 1,5 m transmission bars, two fixing brackets and two bar supports
	<b>486L</b>	Zinc-coated steel fixing bracket
	<b>510L</b>	Cover complete with courtesy light
	<b>511L</b>	Pair of curved telescopic arms, made of zinc-coated steel
	<b>512L</b>	Hardware fixing kit for one operator, to suit doors up to 3,5 m width x 2,7 m height. No welding required. The kit includes the following zinc-coated steel items: fixing bracket, transmission bars, lateral supports, straight telescopic arms
	<b>513L</b>	Pair (right and left) of curved telescopic arms complete with: movement pivot and guide sleeves, two fixing bolts, four angle attaching plates in zinc-coated steel and two nylon bushings
	<b>708L</b>	Hydraulic "FADINI HF.PLI oil", in 2 liter can



**243L**

ELPRO 6 exp

---

# AUTOMATIC BARRIERS





## **BARRI 88**

86

---

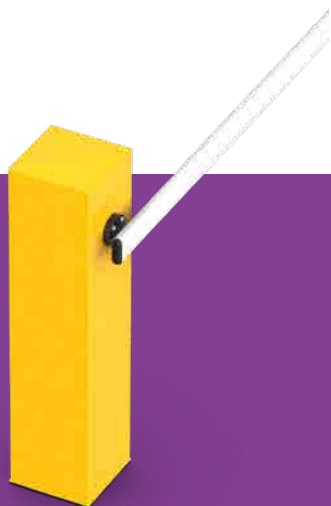
## **BAYT 980**

88

---



# GUIDE TO CHOICE



## BARRI 88



230 Vac



FOR A BEAM OF 4 m



## BAYT 980



230 Vac



FOR BEAMS UP TO 8 m



## BAYT 980



FOR BEAMS UP TO 6 m  
with manual movement





# BARRI 88

MAX 4 m 230 Vac

BB



## 4 m BEAM

Automatic barrier

For residential and collective applications

### ANTI-CRUSH SAFETY

230 Vac oil-hydraulic operator, beam slowdown in opening and closing. Ideal for residential and collective access control.

### QUICK AND SMOOTH MOVEMENTS

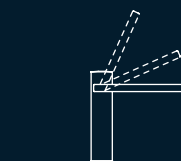
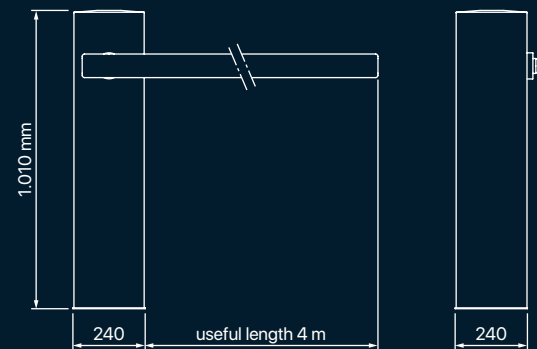
Reinforced structure made of RAL 1018 zinc yellow powder coated steel, incorporated electronic control board. Anodized aluminium beam with an oval section design.



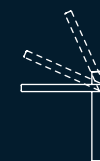
## TECHNICAL DATA

Power supply (Vac – Hz)	230 - 50
Absorbed power (W)	330
Absorbed current (A)	1,8
Power yield (kW – HP)	0,24 - 0,33
Working temperature (°C)	-20 ÷ +80
Opening time (s)	~ 5
Working pressure (atm)	20
Max. pressure (atm)	40
Grade of protection IP	67
Oil type	708L
Weight without beam (kg)	58
Treatment and finishing	cataphoresis and polyester powder coating in RAL 1018 zinc yellow
Frequency of use	intensive

## OVERALL DIMENSIONS



LEFT-HANDED barrier



RIGHT-HANDED barrier









## BARRI 88

CODE	VERSION	OPENING TIME (s)	BEAM LENGTH (m)	BEAM ACCESSORY
<b>1088DXL</b>	right-handed	5	4	folding pedestal
<b>1088SXL</b>	left-handed	5	4	folding pedestal
<b>1089DXL</b>	right-handed	5	4	fixed pedestal
<b>1089SXL</b>	left-handed	5	4	fixed pedestal

Each code includes a housing cabinet fitted with a door, two keys, B88 motor-pump and jack assembly, ELPRO 88 exp electronic control board, electric power supply and earth cables, aluminium beam 30x80x4.000 mm, flanged bracket to take and fasten the beam, zinc-coated fixing base plate with rag bolts and nuts. The housing is cathaphoresis treated and polyester powder coated in RAL 1018 zinc yellow. Folding pedestal and fixed pedestal only for the codes as indicated in the chart.

### SPECIFIC ACCESSORIES

	CODE	DESCRIPTION	
	<b>1097L</b>	Set of 12 retroreflective red stickers for the beams	
	<b>1098L</b>	Zinc-coated fixing base plate	
	<b>1099L</b>	Voltage cut-off and re-set switch once door is closed	
	<b>1095L</b>	Aluminium beam 30x80x4.000 mm	
	<b>1096L</b>	Increase for aluminium beam 30x80 mm to come in two segments of 2 m each, complete with joining device	
	<b>60L</b>	Customized coating, RAL colours	
	<b>708L</b>	Hydraulic "FADINI HF.PLI oil", in 2 liter can	
			
			<b>1093L</b> Folding lift up pedestal
			
			<b>1094L</b> Fixed cataphoresis treated fork-end pedestal for beam support



**2431L**

ELPRO 88 exp

# BAYT 980

MAX 8 m 230 Vac

## FOR BEAMS from 3 to 8 m

Automatic barrier

For residential, industrial and urban applications

### OIL-HYDRAULIC SAFETY

230 Vac oil-hydraulic operator, motor-pump and piston integrated in the assembly. Ideal for those installations where heavy duty specifications are to meet: car parks, private and public driveways, residential, urban and industrial areas. Various speed options, slowdown on opening and closing.

### ROBUST

Reinforced structure made of powder coated steel to ensure a greater resistance to weathering or AISI 304 brushed stainless steel. Anodized aluminium beams with oval section, available in various lengths and coming with an aluminium expanding joint; high strength against winds.

### VERSATILE

Wide range of accessories: beam with a fence underneath, beam with incorporated LED lights

highly visible in dark conditions (flashing option as traffic lights on request), folding device for roofed applications, swing-away arm fastening plate preventing breakage in case of vehicle collision.

### QUICK INSTALLATION

The electronic control board is located in the upper part of the housing in a dedicated and separated box. "master/slave" option available on request for opposing barriers.

### HANDY

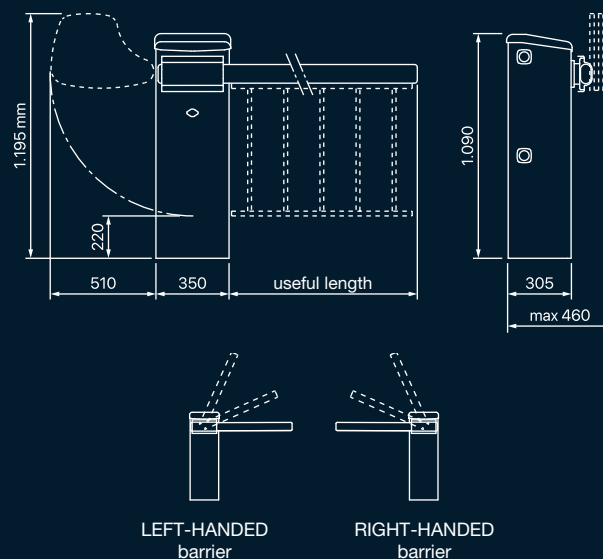
A version of this model can be fully operated by hands (max. beam length 6,40 m without fence). Ideal for places where no electric power supply is available.



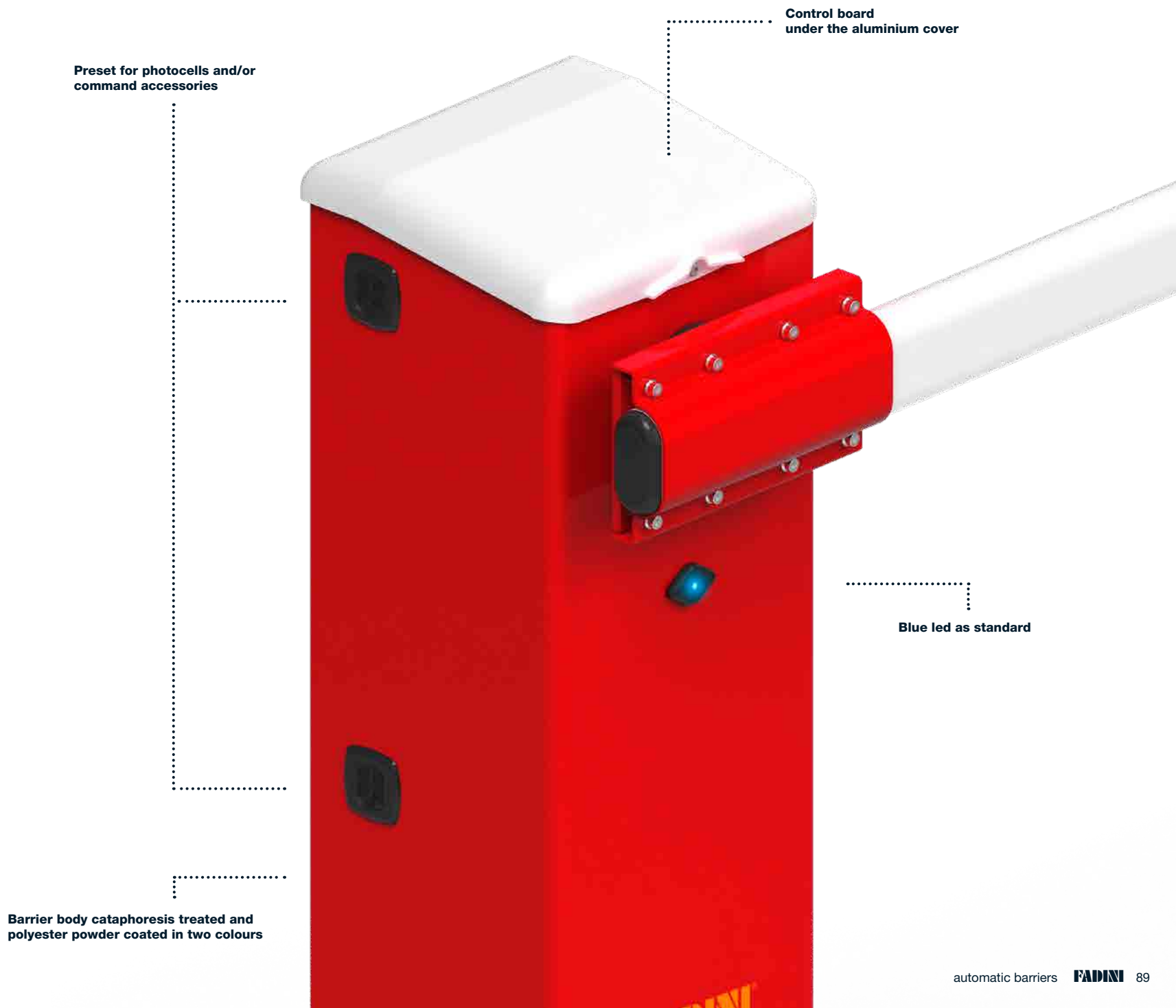
## TECHNICAL DATA

Power supply (Vac – Hz)	230 - 50
Absorbed power (W)	510
Absorbed current (A)	2,4
Power yield (kW – HP)	0,37 - 0,5
Working temperature (°C)	-20 ÷ +80
Working pressure (atm)	20
Max. pressure (atm)	40
Grade of protection IP	65
Oil type	708L
Reservoir volume (l)	2,5
Weight without beam (kg)	75
Frequency of use	very intensive

## OVERALL DIMENSIONS



## BAYT 980





## BAYT 980



Barrier body, cover  
and door in AISI 304  
brushed stainless steel

**FADINI**



Automatic barrier  
with oil-hydraulic motor-pump-piston assembly

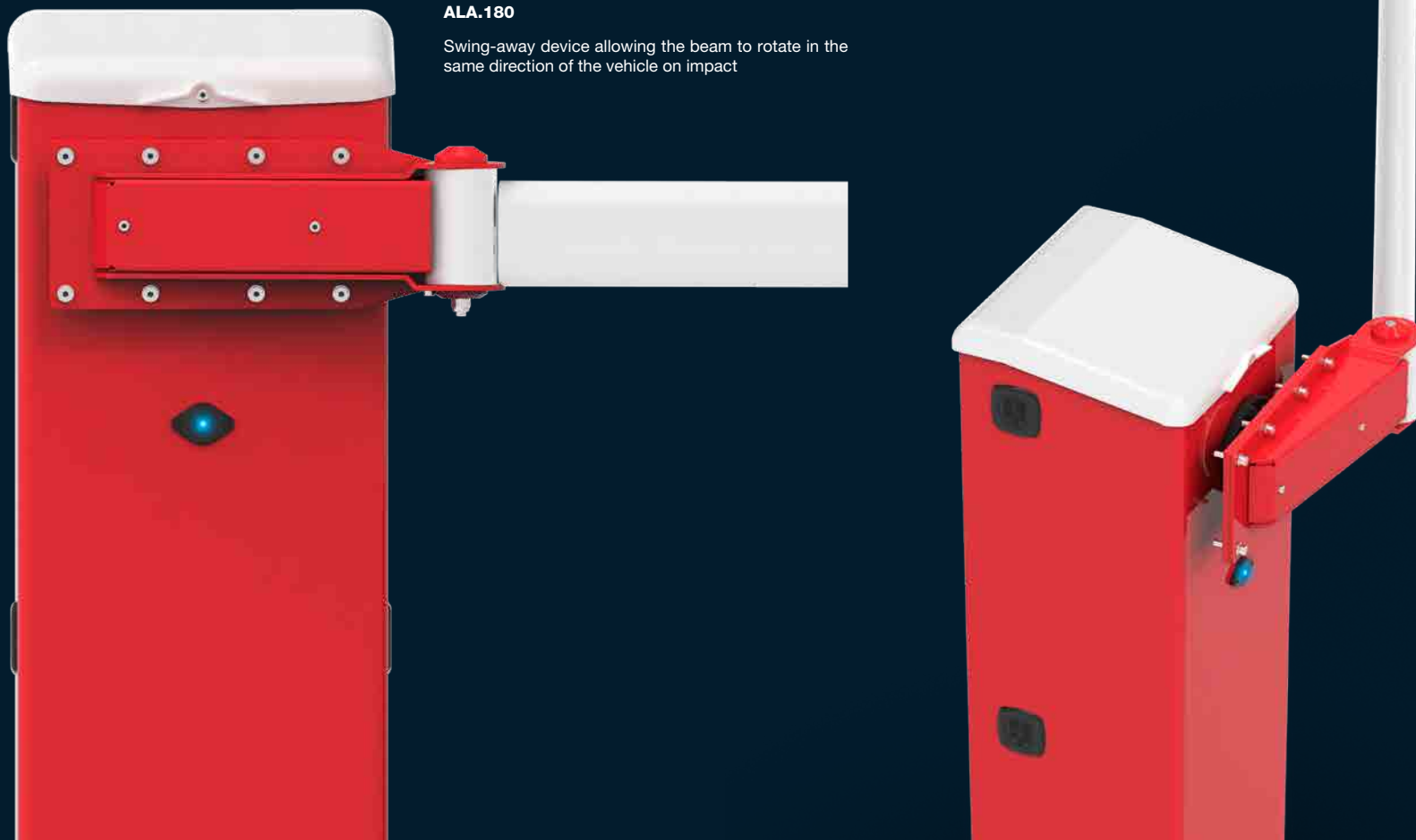


Telescopic arm  
with return spring for manual operations

## BAYT 980

### ALA.180

Swing-away device allowing the beam to rotate in the same direction of the vehicle on impact



## SPECIFICATIONS

### BAYT 980 AUTOMATIC

Automatic barrier ideal for heavy duty installations: car parks, private and public driveways, residential, urban and industrial areas. 230 Vac oil-hydraulic barrier operator including housing cabinet with a door and two keys, motor-pump-piston COS 982 assembly, ELPRO 980 control board, a flange to fasten the aluminium beam, zinc-coated (or stainless steel) anchoring base plate with rag bolts and nuts, a blue LED light incorporated into the housing. Reinforced structure made of powder coated steel to better withstand the atmospheric agents, or AISI 304 brushed stainless steel. Right- and left-handed versions. Different speed options (3, 4, 8, 14, 19 s), slowdown on opening and closing. Anodized aluminium oval section beam in various lengths (from 3 to 8 m), with an aluminium expanding joint; high resistance to wind pressure. Wide range of accessories: beam with a fence underneath, beam with incorporated led lights highly visible in the dark (optional traffic-lights effect, flashing), articulated joint for roofed applications, swing-away device to protect the beam in case of impact with a vehicle.

### BAYT 980 MANUAL

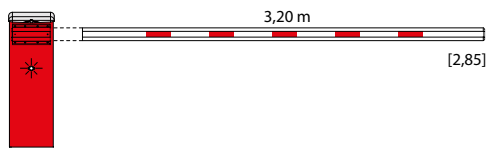
Hand-operated barrier for those places where a connection to the electric mains is not possible. It consists of a housing cabinet with a door and two keys, telescopic arm with return spring, locking ring, a flange to fasten the aluminium beam, zinc-coated (or stainless steel) anchoring base plate with rag bolts and nuts. Reinforced structure made of powder coated steel to better withstand the atmospheric agents, or AISI 304 brushed stainless steel. Right- and left-handed versions. Anodized aluminium oval section beam in various lengths (from 2 to 6 m), with an aluminium expanding joint.



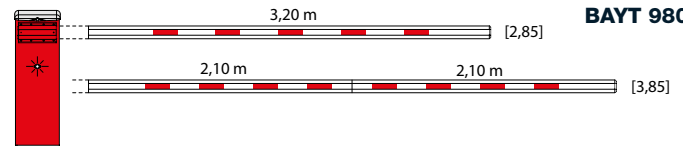
## BAYT 980

### GUIDE TO CHOICE

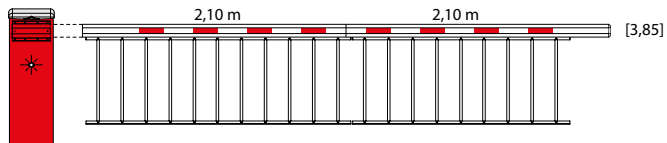
Beams and accessories



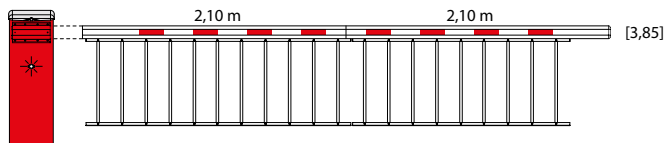
**BAYT 980 3 s**



**BAYT 980 4 s**



**BAYT 980 8 s**



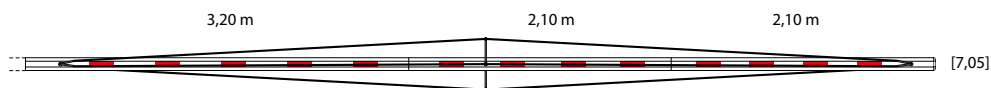
**BAYT 980 14 s**



x 4



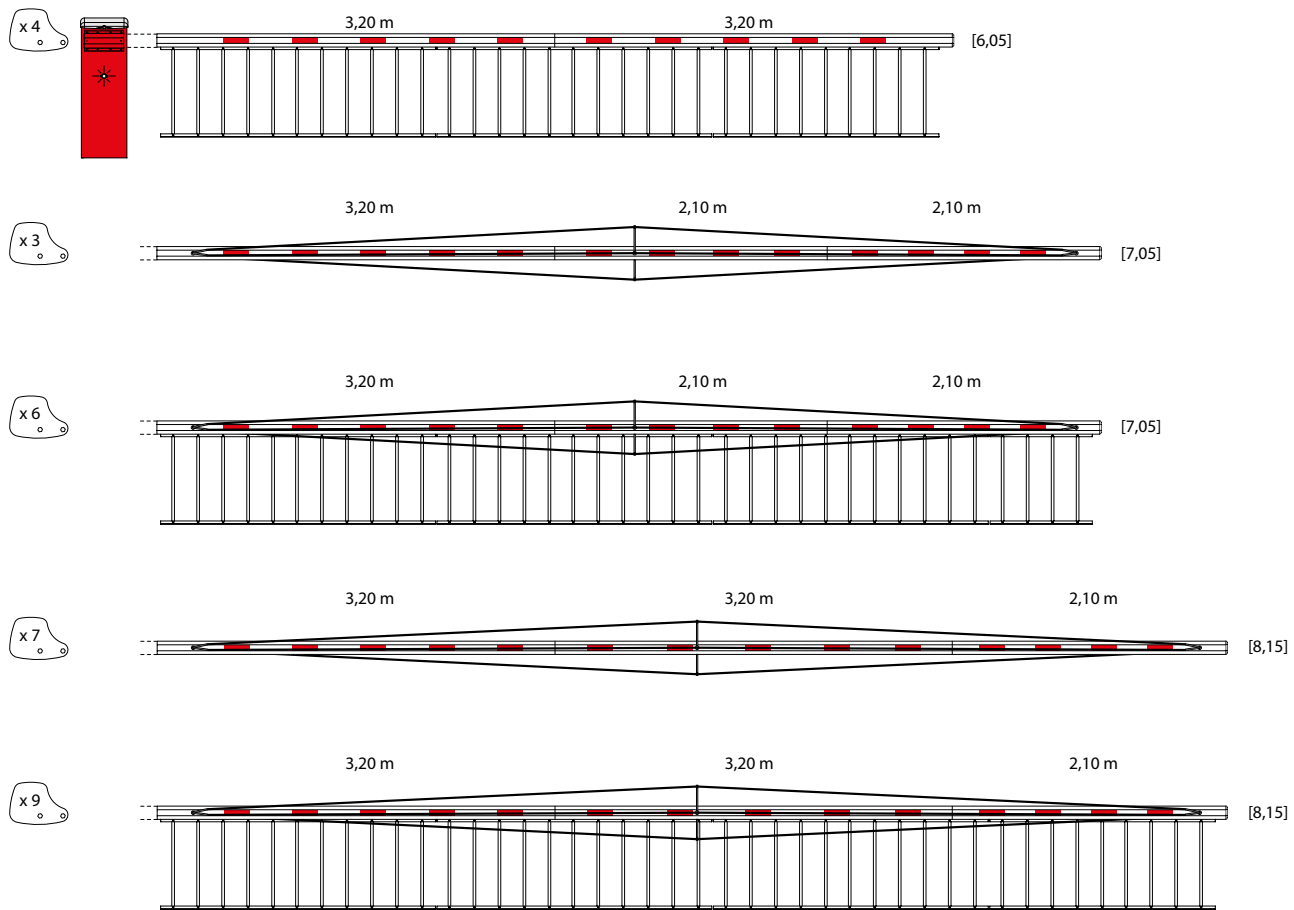
x 3



# BAYT 980



## BAYT 980 19 s



Beams and accessories are not included in the code number of the automatic barrier. All of the beams here indicated are also available with signalling led lights integrated in them. The measurement into the brackets indicates the length in meters of the access that can be protected by BAYT 980

## BAYT 980

• applicable

- not applicable

CODE	VERSION	SPEED (s)	PISTON (mm)	PUMP	APPLICATION LIMIT			REQUIRED ACCESSORIES		
					BEAM (m) access width [ ]	FENCE	REINFORCEMENT BEAM	CABLES KIT	COUNTERWEIGHTS (10 kg each)	
<b>9801DXL</b>	right-handed	3	ø 30	P16	3,20 [2,85]	-	-	-	-	
<b>9801SXL</b>	left-handed	3	ø 30	P16	3,20 [2,85]	-	-	-	-	
<b>9802DXL</b>	right-handed	4	ø 40	P16	3,20 [2,85]	-	-	-	-	
					4,20 [3,85]	-	-	-	-	
<b>9802SXL</b>	left-handed	4	ø 40	P16	3,20 [2,85]	-	-	-	-	
					4,20 [3,85]	-	-	-	-	
<b>9803DXL</b>	right-handed	8	ø 40	P8	4,20 [3,85]	•	-	-	-	
					5,30 [4,95]	-	-	-	-	
					6,40 [6,05]	-	-	-	-	
<b>9803SXL</b>	left-handed	8	ø 40	P8	4,20 [3,85]	•	-	-	-	
					5,30 [4,95]	-	-	-	-	
					6,40 [6,05]	-	-	-	-	
<b>9804DXL</b>	right-handed	14	ø 50	P6	4,20 [3,85]	•	-	-	-	
					5,30 [4,95]	•	-	-	-	
					6,40 [6,05]	•	•	-	4x 1965L	
					7,40 [7,05]	-	•	1x 1958L	3x 1962L	
					4,20 [3,85]	•	-	-	-	
<b>9804SXL</b>	left-handed	14	ø 50	P6	5,30 [4,95]	•	-	-	-	
					6,40 [6,05]	•	•	-	4x 1965L	
					7,40 [7,05]	-	•	1x 1958L	3x 1962L	
					6,40 [6,05]	•	•	-	4x 1965L	
					7,40 [7,05]	-	•	1x 1958L	3x 1962L	
<b>9805DXL</b>	right-handed	19	ø 60	P6	7,40 [7,05]	•	•	1x 1958L	6x 1968L	
					8,50 [8,15]	-	•	1x 1967L	7x 1969L	
					8,50 [8,15]	•	•	1x 1967L	9x 1970L	
					6,40 [6,05]	•	•	-	4x 1965L	
					7,40 [7,05]	-	•	1x 1958L	3x 1962L	
<b>9805SXL</b>	left-handed	19	ø 60	P6	7,40 [7,05]	•	•	1x 1958L	6x 1968L	
					8,50 [8,15]	-	•	1x 1967L	7x 1969L	
					8,50 [8,15]	•	•	1x 1967L	9x 1970L	

Each code includes: a housing cabinet with door, two keys, motor-pump-piston assembly COS 982, electronic control board ELPRO 980, voltage cut-off switch, power supply and ground cables, flanged fastening plate to hold the aluminium beam, zinc-coated anchoring base plate with rag bolts and nuts, a blue LED light incorporated into the housing. The barrier body is cathaphoresis treated and polyester powder coated in two colours, body in RAL 2002 orange red, while top cover and door are 9006 SW3061 textured grey. Beam and accessories (folding and fixed pedestals, etc.) not included; consult the specific section in the catalogue.



## BAYT 980 INOX AISI 304

• applicable

- not applicable

CODE	VERSION	SPEED (s)	PISTON (mm)	PUMP	APPLICATION LIMIT			REQUIRED ACCESSORIES		
					BEAM (m) access width [ ]	FENCE	REINFORCEMENT BEAM	CABLES KIT	COUNTERWEIGHTS (10 kg each)	
<b>9811DXL</b>	right-handed	3	ø 30	P16	3,20 [2,85]	-	-	-	-	
<b>9811SXL</b>	left-handed	3	ø 30	P16	3,20 [2,85]	-	-	-	-	
<b>9812DXL</b>	right-handed	4	ø 40	P16	3,20 [2,85]	-	-	-	-	
					4,20 [3,85]	-	-	-	-	
<b>9812SXL</b>	left-handed	4	ø 40	P16	3,20 [2,85]	-	-	-	-	
					4,20 [3,85]	-	-	-	-	
<b>9813DXL</b>	right-handed	8	ø 40	P8	4,20 [3,85]	•	-	-	-	
					5,30 [4,95]	-	-	-	-	
					6,40 [6,05]	-	-	-	-	
<b>9813SXL</b>	left-handed	8	ø 40	P8	4,20 [3,85]	•	-	-	-	
					5,30 [4,95]	-	-	-	-	
					6,40 [6,05]	-	-	-	-	
<b>9814DXL</b>	right-handed	14	ø 50	P6	4,20 [3,85]	•	-	-	-	
					5,30 [4,95]	•	-	-	-	
					6,40 [6,05]	•	•	-	4x 1965L	
					7,40 [7,05]	-	•	1x 1958L	3x 1962L	
<b>9814SXL</b>	left-handed	14	ø 50	P6	4,20 [3,85]	•	-	-	-	
					5,30 [4,95]	•	-	-	-	
					6,40 [6,05]	•	•	-	4x 1965L	
					7,40 [7,05]	-	•	1x 1958L	3x 1962L	
					6,40 [6,05]	•	•	-	4x 1965L	
<b>9815DXL</b>	right-handed	19	ø 60	P6	7,40 [7,05]	•	•	1x 1958L	3x 1962L	
					7,40 [7,05]	•	•	1x 1958L	6x 1968L	
					8,50 [8,15]	-	•	1x 1967L	7x 1969L	
					8,50 [8,15]	•	•	1x 1967L	9x 1970L	
					6,40 [6,05]	•	•	-	4x 1965L	
<b>9815SXL</b>	left-handed	19	ø 60	P6	7,40 [7,05]	-	•	1x 1958L	3x 1962L	
					7,40 [7,05]	•	•	1x 1958L	6x 1968L	
					8,50 [8,15]	-	•	1x 1967L	7x 1969L	
					8,50 [8,15]	•	•	1x 1967L	9x 1970L	

Each code includes: a housing cabinet with door, two keys, motor-pump-piston assembly COS 982, electronic control board ELPRO 980, voltage cut-off switch, power supply and ground cables, flanged fastening plate to hold the aluminium beam, stainless steel anchoring base plate with rag bolts and nuts, a blue LED light incorporated into the housing. The barrier body, top cover and door are AISI 304 brushed stainless steel. Beam and accessories (folding and fixed pedestals, etc.) not included; consult the specific section in the catalogue.

CODE	VERSION	HOUSING FINISHING	SPRING OUTER DIAMETER (mm)	BEAM (m) Access width [ ]
<b>9892DXL</b>	right-handed	powder coating RAL 2002	light (ø 45)	2,10 [1,75]
			light (ø 45)	3,20 [2,85]
			light (ø 45)	4,20 [3,85]
<b>9892SXL</b>	left-handed	powder coating RAL 2002	light (ø 45)	2,10 [1,75]
			light (ø 45)	3,20 [2,85]
			light (ø 45)	4,20 [3,85]
<b>9841DXL</b>	right-handed	powder coating RAL 2002	heavy (ø 66)	5,30 [4,95]
			heavy (ø 66)	6,40 [6,05]
<b>9841SXL</b>	left-handed	powder coating RAL 2002	heavy (ø 66)	5,30 [4,95]
			heavy (ø 66)	6,40 [6,05]
<b>9895DXL</b>	right-handed	inox AISI 304 brushed	light (ø 45)	2,10 [1,75]
			light (ø 45)	3,20 [2,85]
			light (ø 45)	4,20 [3,85]
<b>9895SXL</b>	left-handed	inox AISI 304 brushed	light (ø 45)	2,10 [1,75]
			light (ø 45)	3,20 [2,85]
			light (ø 45)	4,20 [3,85]
<b>9843DXL</b>	right-handed	inox AISI 304 brushed	heavy (ø 66)	5,30 [4,95]
			heavy (ø 66)	6,40 [6,05]
<b>9843SXL</b>	left-handed	inox AISI 304 brushed	heavy (ø 66)	5,30 [4,95]
			heavy (ø 66)	6,40 [6,05]

Each code includes: a housing cabinet with door, two keys, telescopic arm with return spring, ringed locking pin, flanged fastening plate to hold the aluminium beam, zinc-coated (or stainless steel) anchoring base plate with rag bolts and nuts. The barrier body can be either cataphoresis treated and polyester powder coated in two colours RAL 2002 orange red, white top cover and door are 9006 SW3061 textured grey, or AISI 304 brushed stainless steel. Beam and accessories (folding and fixed pedestals, etc.) not included; consult the specific section of the catalogue. It is possible to turn a manual barrier into an automatic one even at a later stage by fitting it with COS 982 motor-pump-piston assembly.

## ALUMINIUM BEAMS

CODE	APPLICATION LIMIT		N. OF JOINTS AND MODULES (m)	ACCESSORIES FOR A CORRECT INSTALLATION (code)
	BEAM (m)	N. OF LEDs <i>[M]</i>		
	Access width [ ]			
1936L	2,10 [1,75]	-	-	-
1937L	3,20 [2,85]	-	-	-
1940L	4,20 [3,85]	-	1 (2,10+2,10)	-
1941L	5,30 [4,95]	-	1 (2,10+3,20)	-
1942L	6,40 [6,05]	-	1 (3,20+3,20)	-
1943L	7,40 [7,05]	-	2 (2,10+2,10+3,20)	1945L - 1958L - 1962L
1944L	8,50 [8,15]	-	2 (2,10+3,20+3,20)	1945L - 1967L - 1969L
9861L	2,10 [1,75]	4	-	-
9862L	3,20 [2,85]	6	-	-
9863L	4,20 [3,85]	8	1 (2,10+2,10)	-
9864L	5,30 [4,95]	10	1 (2,10+3,20)	-
9865L	6,40 [6,05]	12	1 (3,20+3,20)	-
9866L	7,40 [7,05]	14	2 (2,10+2,10+3,20)	9860L - 1958L - 1962L
9867L	8,50 [8,15]	16	2 (2,10+3,20+3,20)	9860L - 1967L - 1969L

Each code includes an aluminium beam with oval section 55x100 mm complete with red retroreflective stickers, plastic plugs and all the accessories indicated in the respective configuration.



**BAYT 980****FENCE**

Aluminium skirt

• applicable

- not applicable

CODE	SPECIFICATIONS		APPLICATION LIMIT	
	TOTAL LENGTH (m)	MODULES (m)	BEAM (m)	ACCESSORIES FOR A CORRECT INSTALLATION (code)
<b>1952L</b>	3,80	2,09 + 1,71	4,20	-
<b>1953L</b>	4,75	2,09 + 2,09 + 0,57	5,30	-
<b>1954L</b>	5,89	2,09 + 2,09 + 1,71	6,40	1945L + 1965L
<b>1955L</b>	6,84	3x 2,09 + 0,57	7,40	1945L + 1958L + 1968L
<b>1956L</b>	7,98	3x 2,09 + 1,71	8,50	1945L + 1967L + 1970L

Each code includes an aluminium skirt with bolts and fixing profile. For beams with signalling LEDs, code No. 1945L must be replaced by code no. 9860L.

**COUNTERWEIGHTS AND BEAM TRUSS CABLES**

• applicable

- not applicable

CODE	DESCRIPTION	APPLICATION LIMIT		
		COUNTERWEIGHT (10 kg each)	BEAM (m)	FENCE
<b>1958L</b>	Kit of 4 stainless steel truss cables	-	7,40	-
<b>1967L</b>	Kit of 4 stainless steel truss cables	-	8,50	-
<b>1962L</b>	Zinc-coated steel counterweights kit with support for beam fixing	3 pz.	7,40	-
<b>1965L</b>	Zinc-coated steel counterweights kit with support for beam fixing	4 pz.	6,40	•
<b>1968L</b>	Zinc-coated steel counterweights kit with support for beam fixing	6 pz.	7,40	•
<b>1969L</b>	Zinc-coated steel counterweights kit with support for beam fixing	7 pz.	8,50	-
<b>1970L</b>	Zinc-coated steel counterweights kit with support for beam fixing	9 pz.	8,50	•

Each code includes the complete kit in the indicated configuration, for installation on the BAYT 980 automatic barrier.



## BAYT 980 ACCESSORIES



**60L**  
Customized coating, RAL colours



**708L**  
Hydraulic "FADINI HF.PLI oil", in 2 liter can



**2032L**  
Inductive detector for magnetic loops, to be used with automatic gates, barriers and bollards. Technical data: two magnetic loops with two relay outputs and one for alarm, 24 Vac/dc



**2037L**  
6 m circumference pre-assembled loop with 10 m power supply cable



**2042L**  
12 m circumference pre-assembled loop with 15 m power supply cable



**2569L**  
24 Vac electro-magnet



**7283L**  
Electronic card controlling the led lights on the beam for traffic-lights effect: green light with beam in vertical position and red light with beam in horizontal position or in motion



**9321L**  
24 Vdc voltage stabilizer. One voltage stabilizer for each operator fitted with solenoid valve



**9730L**  
Thermal probe with 230 Vac - 50 Hz electric resistor complete with power supply cable for oil-hydraulic MEC 700/80 VENTIL motor-pumps and COS 982 assemblies. Factory fitted.



**9827L**  
Zinc-coated steel anchoring base plate, complete with rag bolts



**9828L**  
Voltage cut-off and re-set switch once the door is closed



**9829L**  
AISI 304 stainless steel anchoring base plate, complete with rag bolts

## BAYT 980 ACCESSORIES



**9840L**  
AL.FLEX 34 electronic control card allowing the LED lights on the beam to work



**9888L**  
24 Vac blue LED light complete with lens, support and power supply cable. Fitted on the housing



**9873L**  
Blackout device.  
24 Vdc solenoid valve. In case of power failure, it is possible to raise the beam by hand. It is always to be combined with the voltage stabilizer code 9321L for the installation to work properly.  
The device is factory-fitted



**9897L**  
ALA.180. This device allows for the beam to swing away (rotate) in the direction of the collision in case a vehicle crashes against it and is so designed to prevent the structural components of BAYT 980 automatic barrier and the beam from getting damaged. The device can be supplied factory-fitted or be fitted to installations of BAYT 980 already existing. Limits of application: beam 6.400 mm max. or 4.200 mm max. with a fence

## BAYT 980 BEAM ACCESSORIES



**1913L**  
Set of 10 red reflecting beam stickers



**1933L**  
Aluminium expanding joint for beam assembling



**1945L**  
Aluminium reinforcement beam x 3.000 mm for code 1942L (only when a fence is fitted), 1943L and 1944L



**1948L**  
Aluminium folding lift-up pedestal, with adjustable foot



**5023L**  
Rubber profile to be fitted under the aluminium beam



**9752L**  
Fixed fork-end pedestal for beam support, designed for padlock. S235JRH steel, cathaphoresis treated and polyester powder coated in RAL 2002 orange red. Height from ground level: 840 mm

## BAYT 980 BEAM ACCESSORIES



### 9755L

Adjustable fixed fork-end pedestal for beam support with various height options (min. 600 mm - max. 1.100 mm from ground level) designed for electromagnet lock (code 2569L). S235JRH steel, cataphoresis treated and RAL 2002 orange red polyester powder coated.



### 9756L

Fixed fork-end pedestal for beam support, designed for electromagnet lock (code 2569L). S235JRH steel, cataphoresis treated and polyester powder coated in RAL 2002 orange red. Height from ground level: 795 mm



### 9757L

AISI 304 stainless steel fixed fork-end pedestal for beam support, designed for electromagnet lock (code 2569L). Height from ground level: 795 mm



### 9758L

Fixed fork-end pedestal for beam support. S235JRH steel, cataphoresis treated and polyester powder coated in RAL 2002 orange red. Height from ground level: 840 mm



### 9759L

AISI 304 stainless steel fixed fork-end pedestal for beam support. Height from ground level: 840 mm



### 9860L

3.000 mm reinforcement aluminium beam for 9865L (only when a fence is fitted), 9866L and 9867L



### 9869L

12 Vdc two-colour LED light (red-green) for the beams, complete with lens, support and cable



### 9879DXL

Two beams cut to measure, complete with joint, arm and cable. For driveways up to 6 m, beam up to 6.400 mm, for BAYT 980 automatic, right-hand version



### 9879SXL

Two beams cut to measure, complete with joint, arm and cable. For driveways up to 6 m, beam up to 6.400 mm, for BAYT 980 automatic, left-hand version



### 9899L

ELPRO 980

---

Electronics for  
**COMMAND  
AND SAFETY**







<b>TRIFO 11</b>	106
<b>DIFO 33</b>	107
<b>ORBITA 57</b>	108
<b>ARPO 58</b>	109
<b>ZERO.PH</b>	110
<b>ZERO.K / ZERO.EK</b>	111
<b>ZERO.DGT</b>	112
<b>ZERO.SAPE</b>	113
<b>ZERO.PB</b>	114
<b>ZERO.PT</b>	115
<b>ZERO.L</b>	116
<b>GECO 9</b>	117
<b>SAFETY EDGES</b>	118
<b>TRAFFIC LIGHTS</b>	119
<b>VIX 53</b>	120
<b>DIVO 71</b>	122





# GUIDE TO CHOICE

## PHOTOCELLS AND SAFETY DEVICES

### TRIFO 11

distance 6 m  
surface mount



### DIFO 33

distance 12 m  
distance 30 m DIFO 33 POTENZIATA  
recess mount



### ZERO.PH

distance 20 m  
distance 25 m synchronized  
surface and recess mount



### ORBITA 57

distance 6 / 15 m  
adjustable, synchronized, wireless  
surface mount



### ARPO 58

radio safety device



### SAFETY EDGES

NC contact and  
resistive contact 8,2 k $\Omega$   
1,5 / 2 / 3 m



## SIGNALLING LED LIGHTS

### ZERO.L

led flashing light  
24 Vac/dc or 230 Vac



### TRAFFIC LIGHTS

lamp 70 W (one, two and three lights)  
led 5 W (two and three lights)  
24 Vac/dc or 230 Vac



# GUIDE TO CHOICE

## DIGITAL AND KEY SWITCHES

### ZERO.K / ZERO.EK

key switches with half Euro cylinder or standard, surface and recess mount



### ZERO.DGT

digital keypad with cable connection surface or recess mount



### ZERO.PB

three-buttons switch surface or recess mount



### GECO 9

token operated command device



## TRANSPONDER READERS

### ZERO.SAPE

proximity reader for transponder devices surface or recess mount



## TRANSMITTERS

### VIX 53

868,19 MHz rolling code  
250 m distance, transceiver; radio link; four buttons;  
four colours: lime green, mustard yellow,  
candy lilac and skyline grey



### DIVO 71

433,92 MHz auto-learning and rolling code  
distance 120 m; four buttons;  
four colours: lime green, mustard yellow,  
candy lilac and skyline grey





# TRIFO 11



## PHOTOCELL FOR SURFACE MOUNT

Safety device with infrared modulated light type D in compliance with EN 12453 norms, one receiver and one transmitter/projector

### EASY TO INSTALL

Designed to be as compact as possible for limited space applications. ABS body with a high level of resistance to atmospheric agents.

### RELIABLE

6 m distance range. Relay output to be connected to any electronic control unit in the ELPRO range or any other existing installation. 24 Vac/dc voltage supply.



### 107L

TRIFO 11  
pair of photocells, surface mount  
(1 pc/pack)



### 108L

Pair of aluminium posts  
for external applications, with  
base, cover and fixing screws,  
h 500 mm (1 pc/pack)



### 109L

Aluminium post for external  
applications, with base,  
cover and fixing screws,  
h 500 mm (1 pc/pack)

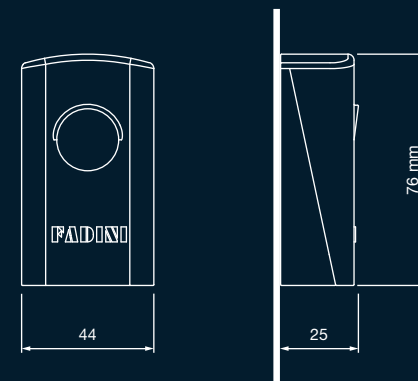


## TECHNICAL DATA

Power supply (Vac/dc)	24
Projector absorption (mA)	55
Receiver absorption (mA)	35
Working temperature (°C)	-20 ÷ +70
Relay contact rating (A/Vac – VA)	1/125 - 60
Infrared modulated light (Hz)	1.500
Two relays	switching over
Distance range (m) <i>[N]</i>	6
Time of obstacle detection (ms)	6
Grade of protection IP	55
Weight of one pair TRIFO 11 (g)	85
Weight per pack of one pair posts (kg)	1,4

*[N]: Distance decreases by 30-50% approx. in case of fog, rain or dusts.*

## OVERALL DIMENSIONS





# DIFO 33

## PHOTOCELL FOR RECESS MOUNT

Safety device with infrared modulated light type D in compliance with EN 12453 norms, one receiver and one transmitter/projector

### ROBUST

ABS body with a high level of resistance to atmospheric agents.

### RELIABLE

12 m distance range. Relay output to be connected to any electronic control unit in the ELPRO range or any existing installation. 24 Vac/dc voltage supply.  
DIFO 33 POTENZIATE: 30 m distance range.



### 330L

DIFO 33  
pair of photocells recess mount  
(1 pc/pack)

### 331L

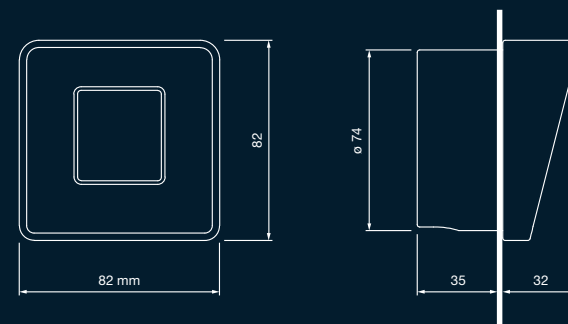
DIFO 33 POTENZIATE  
pair of photocells recess mount  
(1 pz./conf.)



## TECHNICAL DATA

Power supply (Vac/dc)	24
Modulated light frequency (Hz)	1.100
Projector absorption (mA)	40
Receiver absorption (mA)	50
Working temperature (°C)	-10 ÷ +60
Output contact (Vac – VA)	1 A/125 - 60
Distance range (m) [N]	12/30
Grade of protection IP	44

## OVERALL DIMENSIONS



[N]: Distance decreases by 30-50% approx. in case of fog, rain or dusts.



# ORBITA 57

## ADJUSTABLE AND SYNCHRONIZED PHOTOCELL, SURFACE

Safety device with infrared modulated light type D in compliance with EN 12453 norms, one receiver and one transmitter (wireless)

### VERSATILE

A number of possible solutions in one single photocell: adjustable by rotation up to 200°, wireless and synchronized. Body in ABS with a high level of resistance to atmospheric agents. Quick and easy to install.

### SYNCHRONIZED

Possibility to install up to 7 pairs of photocells to create a protective barrier, with no risk of interfering. It can be combined with an edge to achieve that level of safety required to comply with EN 12453 norms.

### RELIABLE

15 m distance range, 6 m if battery operated. Relay output allowing connection to any ELPRO electronic control unit or any existing installation.

12 or 24 Vac/dc voltage supply or 2 x 1,5 V AAA batteries.

### 570L

ORBITA 57

pair of photocells, surface mount

(1 pc/pack)

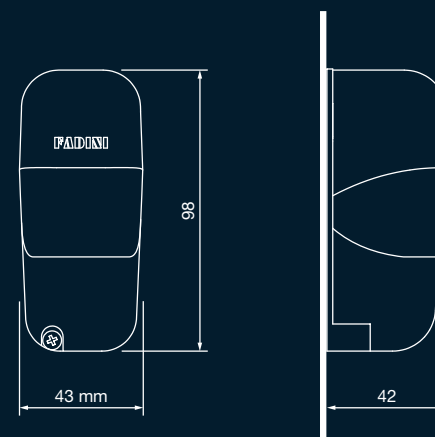


## TECHNICAL DATA

Power supply (Vac/dc)	2x1,5 AAA - 12/24
TX absorption (mA - μA)	11 - 55 (by battery)
RX absorption (mA)	16
Grade of protection IP	55
Working temperature (°C)	-20 ÷ +80
Distance range (m) <i>[N]</i>	6 (by battery) - 15
Max. rotation	200°
Output contact (A/Vac - VA)	1/125 - 60
Battery life (years)	approx. 2
Recommended cable section (mm <sup>2</sup> )	inferior to 0,5

*[N]: Distance decreases by 30-50% approx. in case of fog, rain or dusts.*

## OVERALL DIMENSIONS



# ARPO 58

## WIRELESS TRANSMITTER FOR EDGES

Radio safety device to be combined with the safety edges of automatic systems for sliding and swinging gates, rolling doors, garage doors, sectional doors, fast guillotine doors and road arm barriers. No connection cables required between the transmitter and the receiver.

### VERSATILE

Transmitter with 2 configurable inputs to manage both NC mechanical and 8,2 kΩ resistive edges. It is possible to associate up to 4 transmitters with one receiver and control as many installations close to one another without any danger of interferences.

### INTELLIGENT

Circuit with a dedicated micro-controller separately fitted on to the board to monitor the actual integrity and perfect functionality of the safety system. In compliance with the EN 12978 and EN 13849-1 norms.

### RELIABLE

It can check in real time the accessories connected to it and performs an auto-test of the battery level and radio coverage between receiver and transmitters. Bidirectional radio communication at 868 MHz frequency. In case of a fault, a safety stop contact prevents the operator from starting, by means of a third NC dedicated relay. Distance range: 100 m with an aerial and 30 m without it.

Voltage supply 12 or 24 Vac/dc or by 2 x 1,5 V AA batteries.



### 5801L

ARPO 58  
receiver (1 pc/pack)



### 5802L

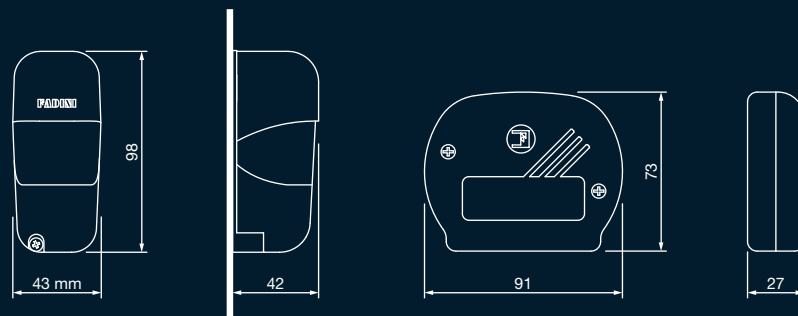
ARPO 58  
transmitter (1 pc/pack)



## TECHNICAL DATA

	RECEIVER	TRANSMITTER
Power supply (Vac/dc)	12/24	2x1,5 AA
Battery life (years)	-	4
Frequency (MHz)	868	868
Distance range (m)	100 with aerial 30 without aerial	100
Number of associable transmitters	4	-
Selectable frequencies	4	4
Outputs	2 (NO or NC selectable) + 1 safety stop (NC)	-
Relay (A / Vdc)	1 / 24	-
Working temperature (°C)	-20 ÷ +70	-20 ÷ +70
Max. consumption (mA)	66	12
Grade of protection IP	53	55
Compatible safety edges (kΩ)	-	mechanical and/or resistive 8,2

## OVERALL DIMENSIONS





# ZERO.PH



## RECESS AND SURFACE MOUNT PHOTOCELLS

### WHEN DESIGN CAN ILLUMINATE

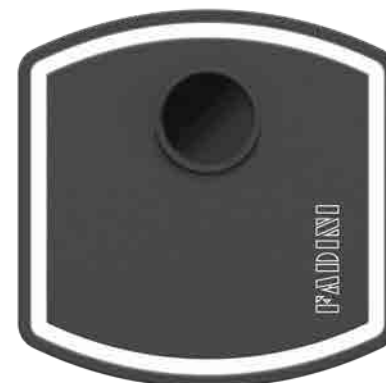
Safety device with infrared modulated light type D, conforming to EN 12453 norms. The set consists of a receiver and a transmitter. The electronic components and optic are protected inside a watertight plastic case. Luminous frame by a white led.

### EASY TO INSTALL

Compact size and dimensions: only 18 mm jutting from surface line level with the recess version. ABS body with a high level of resistance to atmospheric agents. Complete line including posts and fixing supports.

### RELIABLE

Distance range 20 m. Relay output enabling connection to any ELPRO control unit or any existing installation. Supply voltage 24 Vac/dc.



**140L**  
ZERO.PH  
pair of photocells  
surface mount (1 pc/pack)



**141L**  
ZERO.PH  
pair of photocells  
recess mount (1 pc/pack)



**160L**  
ZERO.PH  
pair of photocells  
synchronized,  
surface mount (1 pc/pack)



**161L**  
ZERO.PH  
pair of photocells  
synchronized, recess mount  
(1 pc/pack)



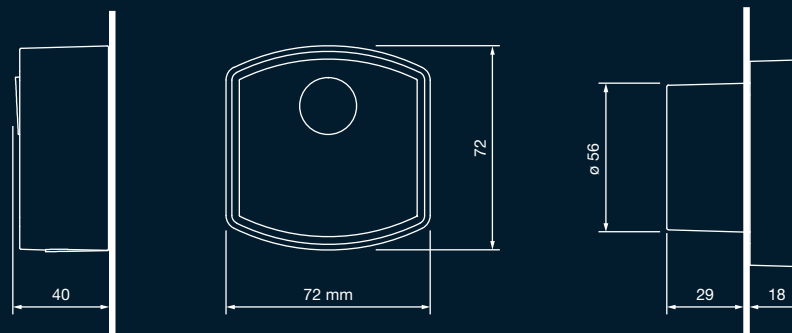
**162L**  
Support bracket for  
wall lateral application  
(2 pcs/pack)



## TECHNICAL DATA

Modulated light frequency (Hz)	625/320
Power supply (Vac/dc)	12/24
Transmitter max. absorption (mA)	26
Receiver max. absorption (mA)	36
Working temperature (°C)	-20 ÷ +70
Output contact (Vdc, A/Vac, A)	30, 1/125, 0,3
Distance range (m) [N]	20
Contact detection time (ms)	6
Grade of protection IP	55

## OVERALL DIMENSIONS



[N]: Distance decreases by 30-50% approx. in case of fog, rain or dusts.



# ZERO.K ZERO.EK



## KEY-SWITCHES SURFACE AND RECESS MOUNT

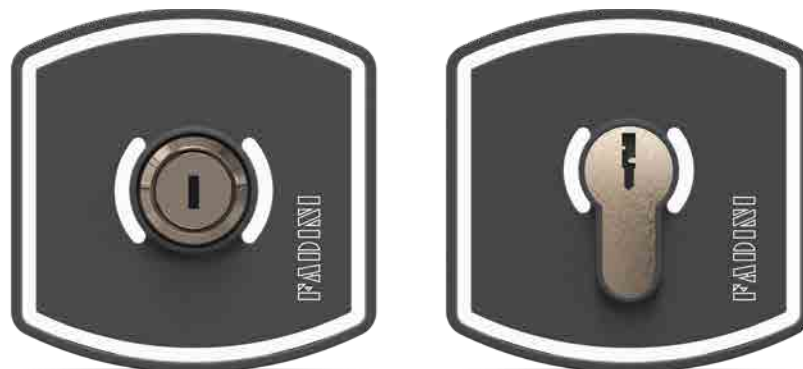
Automatic return lock: half Euro cylinder or standard profile

### TOP SECURITY

Metal alloy body, powder coated and highly resistant to atmospheric agents. Opening only by key once inserted. Incorporated electronic card, complete with terminals and NO and NC contacts. Compact size and dimensions: 23 mm minimum jutting from surface line level with the recess version.

### WHEN DESIGN CAN ILLUMINATE

Back-illuminated, luminous frame by a white led. Complete line of posts and fixing supports.



#### 142L

#### ZERO.K

key-switch, surface mount with standard cylinder and two keys (1 pc/pack)



#### 143L

#### ZERO.K

key-switch, recess mount with standard cylinder and two keys (1 pc/pack)



#### 144L

#### ZERO.EK

key-switch, surface mount with half Euro cylinder and two keys (1 pc/pack)



#### 145L

#### ZERO.EK

key-switch, recess mount with half Euro cylinder and two keys (1 pc/pack)



#### 378L

Key for ZERO.K, code numbering from WA7001 to WA7030



#### 163L

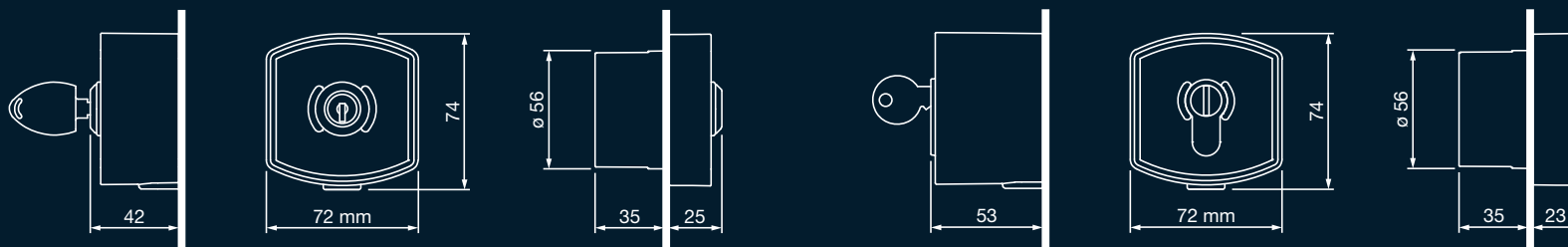
Key for ZERO.EK, code numbering from 111101 to 111115



## OVERALL DIMENSIONS

ZERO.K

ZERO.EK



## TECHNICAL DATA

Power supply (Vac/dc)	24	Microswitches contact	gold triple coating
Absorption (mA)	max 10	Microswitches max. load (mA - Vdc)	100 - 30
Working temperature (°C)	-30 ÷ +70	Grade of protection IP	54



# ZERO.DGT



## DIGITAL KEYPAD WITH CABLE CONNECTION

12 back-illuminated key-buttons. Surface or recess mount options

### TOP SECURITY

Metal alloy body, powder coated and highly resistant to atmospheric agents. Compact size and dimensions: only 21 mm jutting from surface line level with the recess version. Front cover made of AISI 304 brushed stainless steel. Operations by a numerical combination of 1 to 6 digits. Complete line of posts and fixing supports.

### LED BACK-ILLUMINATION

Visual signal confirming correct combination: green led for correct digit combination or red led for wrong digit combination. Acoustic signal on pressing each single key-button. Timed and bistable functions, incorporated stop button.



### 146L

#### ZERO.DGT

surface mount digital keypad  
(1 pc/pack)



### 147L

#### ZERO.DGT

recess mount digital keypad  
(1 pc/pack)



### 612L

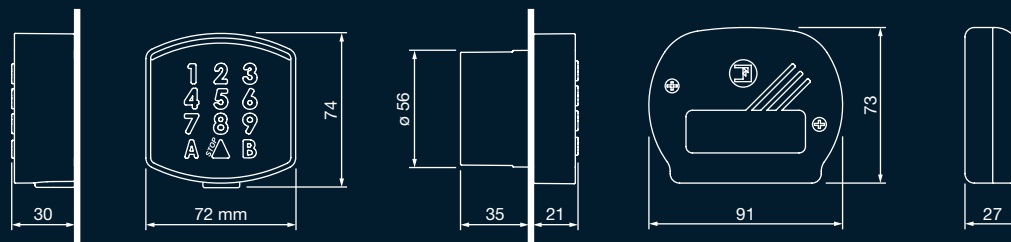
PCB for digital keypad,  
with weatherproof casing.  
Possibility to connect up to 4 keypads.  
Memory capacity 16 codes.  
(1 pc/pack)



## TECHNICAL DATA

Power supply (Vac/dc)	12/24
Keypad absorption max. (mA)	25
Relay absorption on standby (mA)	4
Relay absorption activated (mA)	27
Working temperature (°C)	-20 ÷ +80
Channels (NO)	2
Channels (NC)	1
Communication distance (m)	max 100
Output contact (A/Vac, VA)	1/125, 60
Keypad grade of protection IP	54

## OVERALL DIMENSIONS



# ZERO.SAPE

## PROXIMITY READER FOR TRANSPONDER DEVICES

Surface and recess versions

### EASY TO PROGRAM

Users' configuration directly on the reader by means of programming cards. Visual and sound signalling of correct or wrong reading. The reader is equipped with a mini-USB input for direct reading of the users' memory. With ZERO.SAPE BOX interface it is possible to manage any installation and designate which cards are validated by a dedicated software. Removable memory with 4.000 possible users, divided into two lists with 2.000 users each. Connection by cable.

### WEAR RESISTANT

Compact size and dimensions: only 18 mm jutting from surface line level with the recess version. ABS body with a high level of resistance to atmospheric agents and luminous frame by a white led.



**148L**  
ZERO.SAPE  
proximity reader, surface mount  
(1 pc/pack)



**149L**  
ZERO.SAPE  
proximity reader, recess mount  
(1 pc/pack)



**692L**  
Receiver PCB for proximity  
reader, with weatherproof box.  
Memory capacity 4.000 codes  
(1 pc/pack)



**697L**  
ZERO.SAPE BOX equipment  
to easily manage and program  
item code 696L memory card,  
even at a distance in the office  
(1 pc/pack)



**693L**  
Pair of transponder devices in  
card format for programming  
692L PCB. Green card to  
memorize the card 694L and  
the key fob 695L; red card for  
deleting.

**694L**  
Transponder device in card  
format, blue colour

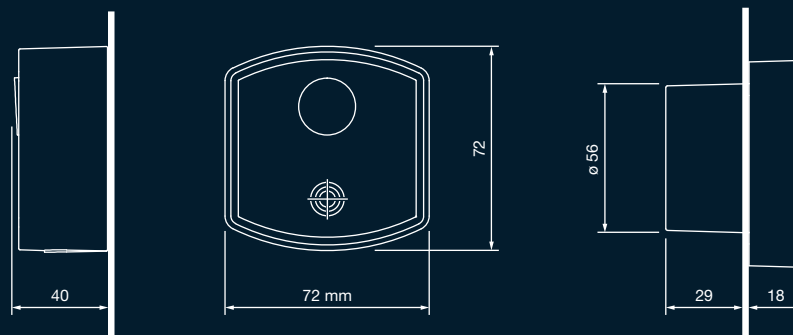
**695L**  
Transponder device, key fob  
format, blue colour

**696L**  
Memory card, 4.000 codes

## TECHNICAL DATA

Receiver power supply (Vac - Hz)	230 - 50
Reader power supply (Vac/dc)	12
Reader max. absorption (mA)	60
Receiver max. absorption (mA)	10
Working temperature (°C)	-20 ÷ +60
Communication distance (m)	max 100
Reader grade of protection IP	54
Memory (users)	4.000

## OVERALL DIMENSIONS





# ZERO.PB



## INDOOR BUTTON-SWITCH WITH THREE BUTTONS

Surface and recess versions

### TOP SECURITY

Metal alloy body, powder coated and highly resistant to atmospheric agents. Incorporated electronic card, with terminals, two NO contacts and one NC contact. Compact size and dimensions: only 20 mm jutting from surface line level with the recess version.

### WHEN DESIGN CAN ILLUMINATE

Back-illuminated, luminous frame by a white led. Complete line of posts and fixing supports.



**150L**  
ZERO.PB  
switch with three buttons  
surface mount (1 pc/pack)

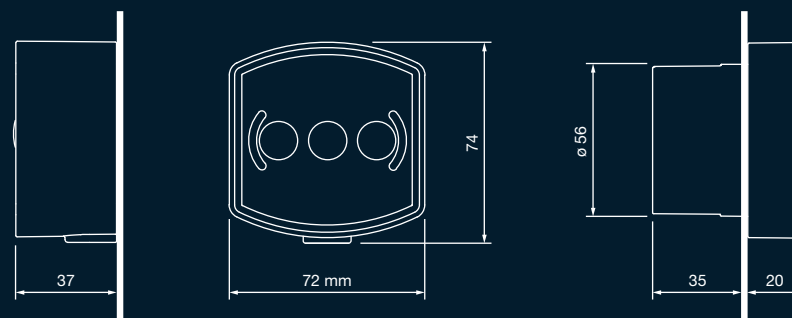
**151L**  
ZERO.PB  
switch with three buttons,  
recess mount (1 pc/pack)



## TECHNICAL DATA

Power supply of the led (Vac/dc)	24
Absorption of the led (mA)	max 8
Working temperature (°C)	-30 ÷ +70
Contact of microswitches	gold triple coating
Microswitch max. load (mA - Vdc)	100 - 30
Grade of protection IP	54

## OVERALL DIMENSIONS



## WEATHERPROOF ANODIZED ALUMINIUM POSTS

### PRACTICAL USAGE

Available for photocells, key-switches, digital keypads, push buttons and proximity readers in the ZERO line. Height options: 500 - 750 - 1.200 mm

### DESIGN

A complete line of posts to mount the command and safety accessories in the ZERO line. Strong construction, height options and versions with galvanized steel fixing base plate. Designed for front/back installation of the command and safety accessories.



CODE	DESCRIPTION	HEIGHT (cm)	PCS/PACK
<b>153L</b>	Anodized aluminium post for outdoor applications, with zinc-coated steel fixing base plate and plastic cover, for one accessory of the ZERO product line	50	2
<b>154L</b>	Anodized aluminium post for outdoor applications, without fixing base plate, for one accessory of the ZERO product line	75	2
<b>155L</b>	Anodized aluminium post for outdoor applications, with zinc-coated steel fixing base plate and plastic cover, for one accessory of the ZERO product line	75	2
<b>156L</b>	Anodized aluminium post for outdoor applications, with zinc-coated steel fixing base plate and plastic cover, for one accessory of the ZERO product line	120	1
<b>157L</b>	Anodized aluminium post for outdoor applications, with zinc-coated steel fixing base plate and plastic cover, for two accessories of the ZERO product line	120	1



# ZERO.L



## FLASHING SIGNAL WITH LED LIGHT. INTEGRATED AERIAL

### UNIVERSAL

24 Vac/dc or 230 Vac power supply. Reduced consumption and high brightness.

### MATRIX LED

System of lights with a unique design. A new system of illumination, fully customizable: the led light can be fixed, flashing or various integrated dynamic effects.

### VERSATILE

Suitable for fixing to a wall or a gate post, without additional components.

### 152L

ZERO.L

230 Vac – 24 Vac/dc flasher

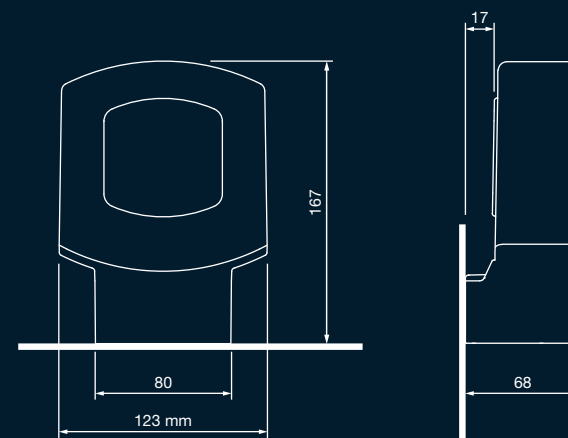
(1 pc/pack)



## TECHNICAL DATA

Voltage supply (Vac / Vac/dc)	230 / 24
Power (W)	6
Frequency (Hz)	50
Absorption (A, Vac - A, Vac/dc)	0,026 (230) - 0,2 (24)
Intermittence (cycles/min)	50 approx.
Service	flashing/fixed
Working temperature (°C)	-20 ÷ +80
Transparent dome material	shock resistant methacrylate
Weight (g)	310
Grade of protection IP	54

## OVERALL DIMENSIONS



# GECO 9



## TOKEN OPERATED COMMAND DEVICE

For residential, collective, industrial and city centres

### SIMPLE

A mechanical device operated by tokens. Ideal in combination with road barriers and automatic bollards, or for access control applications in general. In case of power failure, no tokens are taken by the device.

### ROBUST AND RELIABLE

Notable for its strong construction and reliability: made of steel and powder coated to ensure a high level of resistance to atmospheric agents. A brushed AISI 304 stainless steel version of GECO 9 is also available: this feature makes it suitable for applications in the most harsh weather conditions, for instance in environments with high levels of humidity, condensation and salt, such as seaside locations, or where water splashes are most likely, and aggressive agents in general. Door to access the inside by key for service and token recovery. Operating parts are made of steel and brass, static and non-operating parts are made of strong plastic material.



#### 2028L GECO 9

token operated command device, 24 Vac, AISI 304 stainless steel, complete with anchoring base plate and log bolts (1 pc/pack)



#### 2035L GECO 9

token operated command device, 24 Vac, RAL 2002 polyester powder coated steel, complete with anchoring base plate and log bolts (1 pc/pack)



#### 60L

Customized powder coating, RAL colours



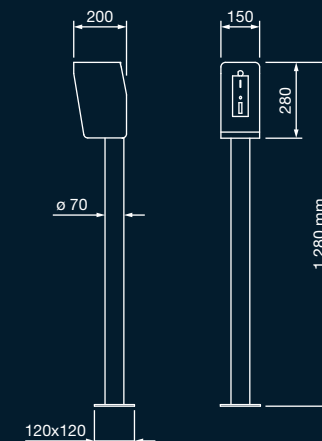
#### 2034L

Nickel-plated steel token

## TECHNICAL DATA

Power supply (Vac)	24 - 50
Resistance ( $\Omega$ )	40
Current absorption (mA)	0,6
Power absorption (W)	15
Micro-contact (A - Vac)	5 - 250
Contact command	rotating
Command functioning	mechanical
Working temperature ( $^{\circ}\text{C}$ )	-20 ÷ +125
Grade of protection IP	43
Treatment and finishing	cataphoresis and polyester powder coating RAL 2002 orange red
Weight (kg)	8,5
Token reservoir capacity (pcs)	300

## OVERALL DIMENSIONS





# SAFETY EDGES



## SAFETY DEVICE

Designed to prevent the mechanical hazards (impact, crushing, conveying, shearing, cutting and hooking) deriving from the movements of sliding, swinging gates and automated doors in general.

The device can be combined with the ORBITA 57 photocells or ARPO 58 radio link and meets the safety level required by the EN 12978 Norms.

## SIMPLE

To be installed and extremely reliable; fastening by clip.

## QUICK RESPONSE

As also the ends are made of soft material, sensitive to the slightest impact. NC contact and 8,2 kΩ resistive contact.

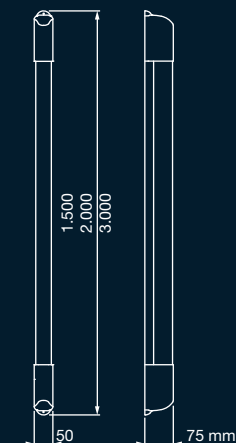


CODE	DESCRIPTION	LENGTH (m)	PC/PACK
<b>2076L</b>	Safety edge with NC and 8,2 kΩ contact, complete with aluminium support	1,5	1
<b>2077L</b>	Safety edge with NC and 8,2 kΩ contact, complete with aluminium support	2	1
<b>2079L</b>	Safety edge with NC and 8,2 kΩ contact, complete with aluminium support	3	1

## TECHNICAL DATA

Protection grade IP	54
Working temperature(°C)	-10 ÷ +60
Rubber profile colours	RAL 7045 telegrey 1 / RAL 5003 sapphire blue
Rating of the contacts (Vac/dc)	12 - 24
Belonging category	2/3 EN954-1

## OVERALL DIMENSIONS





# TRAFFIC LIGHTS



## VISUAL SIGNALLING

Signalling traffic lights to control vehicle priority on entry/exit where required, for instance block of flats, residential areas, car parks, etc. Available in various options: 70 W lamp (one, two and three lights) or 5 W LEDs (two and three lights). Other LED options available (two and three lights), either 24 Vac/dc or 230 Vac, dedicated for applications inside VISUAL 344 housing post.

CODE	DESCRIPTION
<b>3200L</b>	Traffic light with red light, 70 W 230 Vac lamp
<b>3201L</b>	Traffic light with yellow light, 70 W 230 Vac lamp
<b>3202L</b>	Traffic light with green light, 70 W 230 Vac lamp
<b>3203L</b>	Traffic lights with red and green lights, 70 W 230 Vac lamp
<b>3204L</b>	Traffic lights with red, yellow and green lights, 70 W 230 Vac lamp
<b>3210L</b>	Traffic lights with red and green lights, 5 W 230 Vac LED
<b>3218L</b>	Traffic lights with red and green lights, 5 W 24 Vac/dc LED
<b>3219L</b>	Traffic lights with red, yellow and green lights, 5 W 230 Vac LED
<b>3221L</b>	Traffic lights with red, yellow and green lights, 5 W 24 Vac/dc LED
<b>3206L</b>	Pair of brackets to fix the traffic lights to a round pole
<b>3212L</b>	Control unit for traffic lights with two or three lights

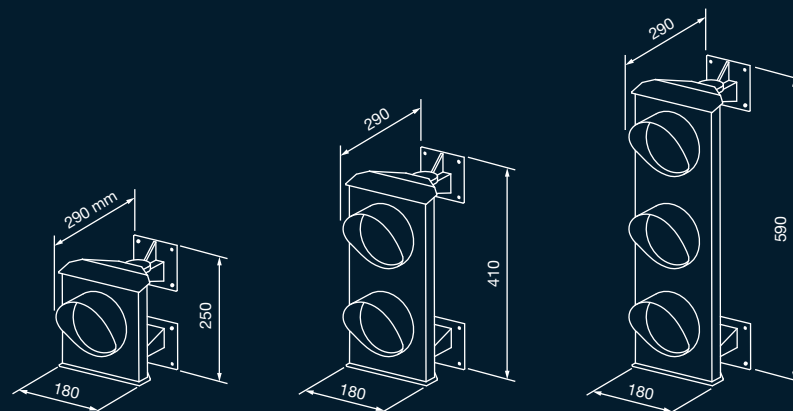
Codes 3200L, 3201L, 3202L, 3203L, 3204L, 3210L, 3218L, 3219L, 3221L include: traffic light/s with extruded aluminium body, 125 mm diameter lens, lamp or LEDs, two wall-fixing brackets with expanding bolts and screws.



## TECHNICAL DATA

Power supply (Vac – Hz, Vac/dc)	230 - 50, 24
Lamp absorbed power (W)	70
Pcb absorbed power (W)	5
Lamp average life (hours)	8.000
Pcb average life (hours)	100.000
Technology (for LED version)	1÷3 pcb with 25 LEDs
Lens diameter (mm)	125
Weight with one light (kg)	1,35
Weight with two lights (kg)	2,7
Weight with three lights (kg)	3,25
Grade of protection IP	65
Working temperature (°C)	-30 ÷ +80

## OVERALL DIMENSIONS





# VIX 53

## BIDIRECTIONAL TRANSMITTERS AND RADIO RECEIVERS

868,19 MHz rolling code

### DESIGN

Ergonomic and stylish: 4 colours available. It can also be a handy and latest state-of-the-art key fob.

### ROLLING CODE

Secure encoding with a 128 bit algorithm. Plug-in or stand alone options with radio receivers, up to 4 channels. Removable memory up to 2.000 users max. Distance: 250 m (open space).

### TRANSCIEVER

The transmission of the radio signal is bidirectional, there is a feedback on the transmitter confirming reception of the signal.

### RADIO LINK

Extension of the distance of a transmitter radio signal by creating a radio link between several radio receivers.

### SECURE

The RED VIX 53 equipment allows for protection key codes to be entered on to the transmitters and radio receivers. SOFTVIXARE enables the creation of a data base and manages complex installations: at a distance it is possible to add, replace or delete a transmitter from the system in case of theft or loss.

### FUNCTIONAL

Possibility for a transmitter to be copied, replaced or cancelled at a distance from the installation system.

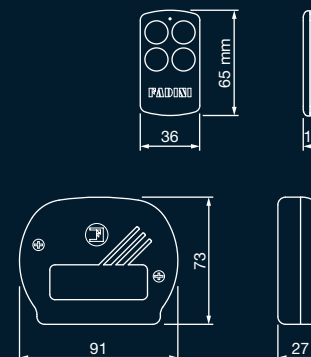


Direct copying and validating between transmitters:  
new one and one already memorized

## TECHNICAL DATA

	RADIO RECEIVER	TRANSMITTER	RED VIX 53 DEVICE
Working frequency (MHz)	868,19	868,19	868,19
Distance (m) [O]	250	250	-
Power supply (Vac/dc - Vac/dc - Vdc - Vdc)	12/24 (Vix 53/1 R) 24 (Vix 53/2 R)	3 (1x CR2032)	3 (1x CR2032)
Max. absorption (mA)	73	27	27
Technology	transceiver	transceiver	transceiver
Encoding	rolling code - 128 bit	rolling code - 128 bit	rolling code - 128 bit
N. of channels	1 - 4	4	4
Working temperature (°C)	-10 ÷ +55	-40 ÷ +85	-40 ÷ +85
Grade of protection IP stand alone casing	53	-	-
Memory (users)	2.000	-	-

## OVERALL DIMENSIONS



[O]: The transmission and receiving distance can be affected by external factors (eg. devices such as alarms, signal repeaters, etc.) using the same frequency. Meccanica Fadini cannot guarantee the actual distance range of one's own accessories in such cases.



## VIX 53

### TRANSMITTERS

#### 5313GL

VIX 53/4 TR  
4-channel transmitter, 868,19 MHz  
lime green colour



20 pcs/pack

#### 5313YL

VIX 53/4 TR  
4-channel transmitter, 868,19 MHz  
mustard yellow colour



20 pcs/pack

#### 5313CL

VIX 53/4 TR  
4-channel transmitter, 868,19 MHz  
candy lilac colour



20 pcs/pack

#### 5313SL

VIX 53/4 TR  
4-channel transmitter, 868,19 MHz  
skyline grey colour



20 pcs/pack

### RADIO RECEIVERS

#### 5310L

VIX 53/1 R  
stand alone radio receiver.  
Channels: 1 + 3 (optional)  
(1 pc/pack)



#### 5311L

VIX 53/2 R  
plug-in radio receiver.  
Channels: 2  
(1 pc/pack)



### ACCESSORIES

CODE	DESCRIPTION
4317L	NO relay module
4605L	BIRIO A8 rod aerial complete with support for wall-fixing
4607L	Coaxial cable RG 58, 50 Ω, 100 m
5314L	Micro USB interface device with management software for VIX 53
5315L	REDVIX53 device to insert protection key codes on transmitters and memories
5316L	Memory card, 2.000 codes
7809L	NC relay module
8619L	Button battery CR2032 3 Vdc

#### 5314L

Micro USB interface device with management software for VIX 53  
(1 pc/pack)



#### 5315L

REDVIX53 device to insert protection key codes on transmitters and memories  
(1 pc/pack)





# DIVO 71



## TRANSMITTERS COMPATIBLE WITH ASTRO 43 AND JUBI 433 SERIES

433,92 MHz auto-learning and rolling code



### DESIGN

Ergonomic and stylish: 4 colours available. It can also be a handy and latest state-of-the-art key fob.

### AUTO-LEARNING AND ROLLING CODE

Compatible with the previous series ASTRO 43 and JUBI 433, and with the respective radio receivers, either plug-in or stand alone, up to 4 channels. Distance: 120 m (open space).

### FUNCTIONAL

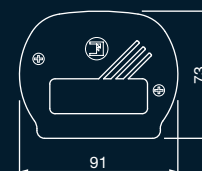
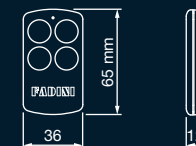
Possibility for a transmitter to be copied at a distance from the installation system.



## TECHNICAL DATA

	RADIO RECEIVER ASTRO 43 M.Q.B.	RADIO RECEIVER JUBI 433	TRANSMITTER DIVO 71
Working frequency (MHz)	433,92	433,92	433,92
Distance (m) [O]	120	120	120
Power supply (Vac/dc – Vac – Vdc – Vdc)	12/24	24 (±10%) 12 (+20% -5%)	3 (1x CR2032)
Max. absorption (mA)	23	23	21
Technology	-	-	-
Encoding	fixed code	fixed code	rolling code - 128 bit and fixed code
N. of channels	1 - 4	1 - 4	4
Working temperature (°C)	-10 ÷ +55	-10 ÷ +55	-40 ÷ +85
Grade of protection IP stand alone casing	53	53	-
Memory (users)	800	800	-

## OVERALL DIMENSIONS



[O]: The transmission and receiving distance can be affected by external factors (eg. devices such as alarms, signal repeaters, etc.) using the same frequency. Meccanica Fadini cannot guarantee the actual distance range of one's own accessories in such cases.

## DIVO 71

### TRANSMITTERS

#### 7113GL

DIVO 71/4 TR  
4-channel transmitter, 433,92 MHz,  
lime green colour



20 pcs/pack

#### 7113YL

DIVO 71/4 TR  
4-channel transmitter, 433,92 MHz,  
mustard yellow colour



20 pcs/pack

#### 7113CL

DIVO 71/4 TR  
4-channel transmitter, 433,92 MHz,  
candy lilac colour



20 pcs/pack

#### 7113SL

DIVO 71/4 TR  
4-channel transmitter, 433,92 MHz,  
skyline grey colour



20 pcs/pack

### RADIO RECEIVERS

#### 4327L

ASTRO 43/1 R M.Q.B.  
stand alone radio receiver  
Channels: 1 + 3 (optional)  
(1 pc/pack)



#### 4329L

ASTRO 43/2 R M.Q.B.  
plug-in radio receiver  
Channels: 2  
(1 pc/pack)



#### 4330L

JUBI 433/1 R  
stand alone radio receiver  
Channels: 1 + 3 (optional)  
(1 pc/pack)



#### 4332L

JUBI 433/2 R  
plug-in radio receiver  
Channels: 2  
(1 pc/pack)

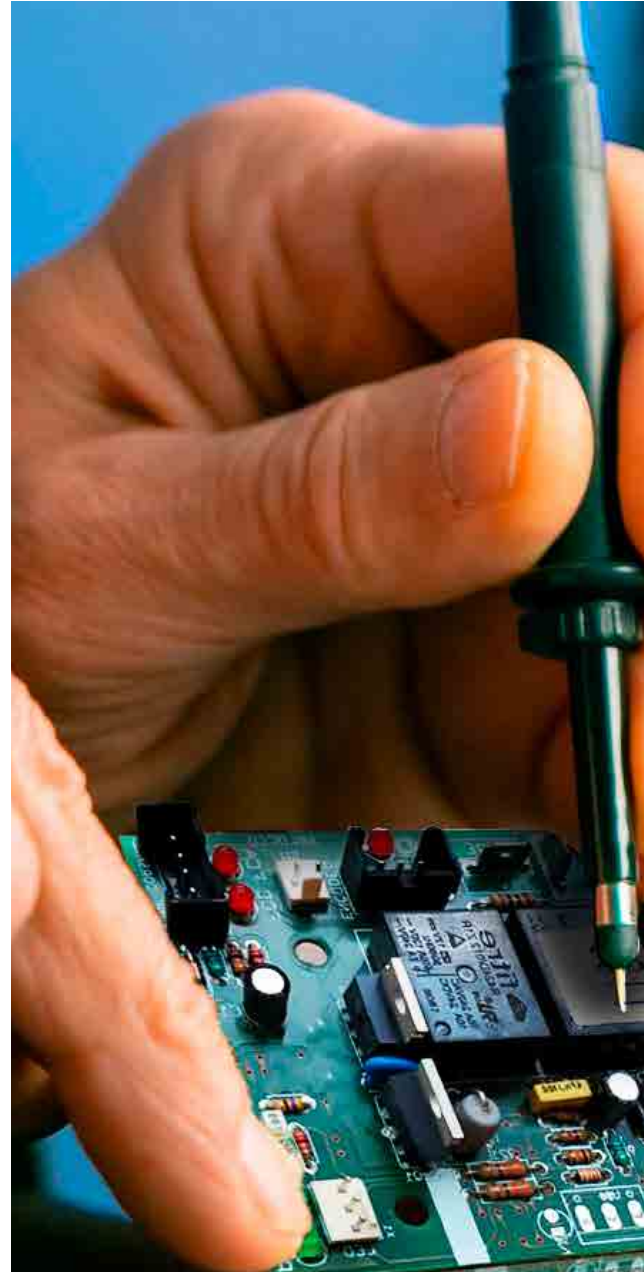


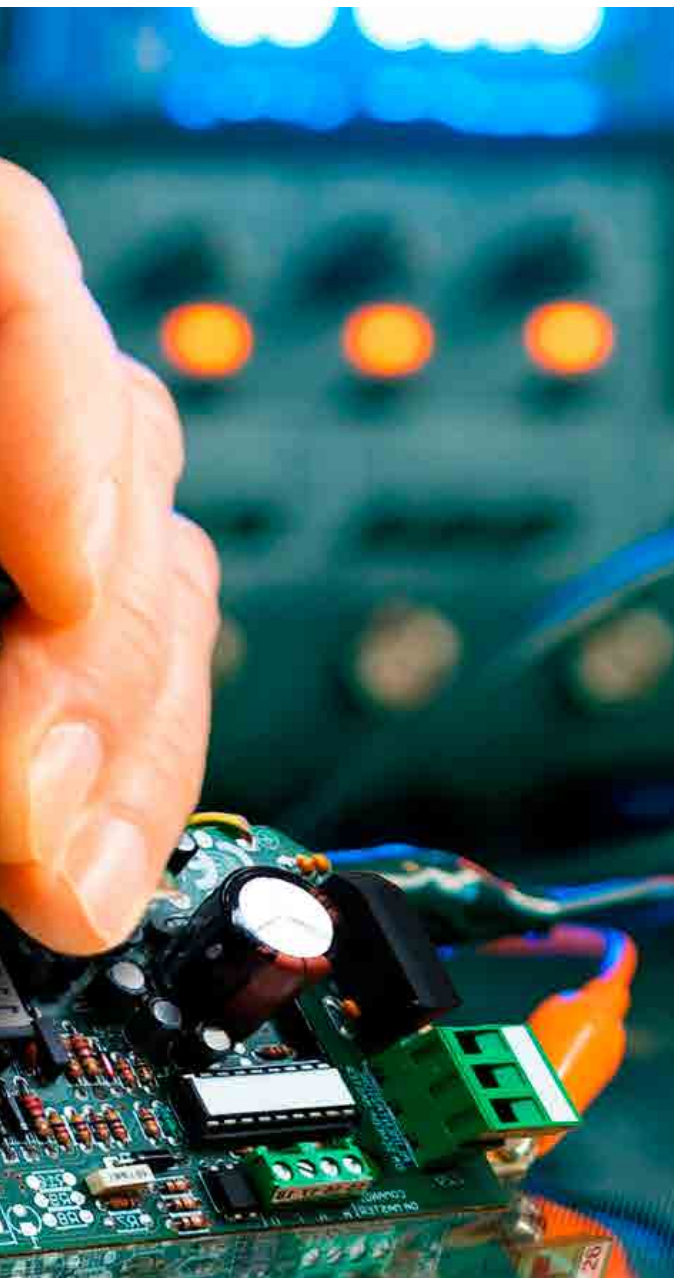
### ACCESSORIES

CODE	DESCRIPTION
4060L	Memory card, 800 users
4317L	NO relay module
4605L	BIRIO A8 rod aerial complete with support for wall-fixing
4607L	Coaxial cable RG 58, 50 Ω, 100 m
7809L	NC relay module
8619L	Button battery CR2032 3 Vdc

---

# ELECTRONIC CONTROL UNITS





<b>ELPRO 62</b>	130
<b>ELPRO 63</b>	130
<b>ELPRO 12 EVO</b>	131
<b>ELPRO 12 PLUS FN</b>	131
<b>ELPRO 70/3 PLUS</b>	132
<b>ELPRO 37</b>	132
<b>ELPRO 37 DS</b>	133
<b>ELPRO 37 FN</b>	133
<b>ELPRO 37 HP</b>	134
<b>ELPRO 35M</b>	135
<b>ELPRO 35S</b>	135
<b>ELPRO 42</b>	136
<b>ELPRO 42 - 110 V</b>	136
<b>ELPRO 43</b>	137
<b>ELPRO 7 RP</b>	137
<b>ELPRO 27</b>	138
<b>ELPRO 27 HP - 110 V</b>	138
<b>ELPRO 27 HP - 230 V</b>	139
<b>ELPRO 37 DB</b>	139
<b>ELPRO 6 exp</b>	140
<b>ELPRO 88 exp</b>	141
<b>ELPRO 980</b>	141
<b>ELPRO XE</b>	142
<b>ELECTRONIC BOARD ACCESSORIES</b>	143





# GUIDE TO CHOICE



## FOR SLIDING GATES



**ELPRO 62**  
for JUNIOR 624  
for one motor, 24 Vdc  
with encoder



**ELPRO 63**  
for JUNIOR 633 - 650  
for one motor, 230 Vac 1PH  
with encoder



**ELPRO 12 EVO**  
for NYOTA 115 EVO  
for one motor, 230 Vac 1PH  
with encoder



**ELPRO 12 PLUS FN**  
for NYOTA 115 EVO rev.  
for one motor, 230 Vac 1PH



**ELPRO 70/3 PLUS**  
for MEC 200  
for one motor, 230 Vac 1PH or  
230/400 Vac 3PH



**ELPRO 37**  
for one motor, 230 Vac 1PH  
or 230/400 Vac 3PH



**ELPRO 37 DS**  
for two motors, 230 Vac 1PH  
or 230/400 Vac 3PH



**ELPRO 37 FN**  
for one motor, 230 Vac 1PH  
or 230/400 Vac 3PH  
with negative brake



**ELPRO 37 HP**  
for one motor  
230/400 Vac 3PH



## FOR SWINGING GATES



**ELPRO 35M**  
for BART 350 Master  
for one motor, 24 Vdc  
with encoder



**ELPRO 35S**  
electronic board  
for BART 350 Slave for one  
motor 24 Vdc with encoder



**ELPRO 42**  
for DARDO 424  
for two motors 24 Vdc  
with encoder



**ELPRO 42 - 110 V**  
for DARDO 424  
for two motors, 24 Vdc  
with encoder



**ELPRO 43**  
for DARDO 430  
for two motors, 230 Vac 1PH  
with encoder



**ELPRO 7 RP**  
for NUPI 66  
for two motors, 230 Vac 1PH



**ELPRO 27**  
for two motors, 230 Vac 1PH



**ELPRO 27 HP - 110 V**  
for two motors, 110 Vac 1PH



**ELPRO 27 HP - 230 V**  
for two motors, 230 Vac 1PH



**ELPRO 37 DB**  
for two motors, 230 Vac 1PH  
or 230/400 Vac 3PH



## FOR INDUSTRIAL AND GARAGE DOORS



**ELPRO 6 exp**  
for one motor, 230 Vac 1PH



**ELPRO 37**  
for one motor, 230 Vac 1PH or  
230/400 Vac 3PH



**ELPRO 37 DS**  
for two motors, 230 Vac 1PH or  
230/400 Vac 3PH



**ELPRO 37 HP**  
for one motor  
230/400 Vac 3PH



## FOR AUTOMATIC BARRIERS



**ELPRO 88 exp**  
for BARRI 88  
for one motor, 230 Vac 1PH



**ELPRO 980**  
for BAYT 980  
for one motor, 230 Vac 1PH



**ELPRO XE**  
for two motors, 230 Vac 1PH



# ELPRO CONTROL UNITS

The electronic control units are completely designed and produced in the workshops of Meccanica Fadini.

They comply with the existing regulations and directives for electromagnetic compatibility and can meet any installation requirements: for swinging and sliding gates, automatic beam barriers, doors, double or single industrial doors as well as folding doors and automatic oil-hydraulic bollards.

Each type of ELPRO control unit incorporates a dedicated circuitry of logic functions for a specific type of operator. Easy to program.

All of the boards are fitted with a connector for Fadini plug-in radio receivers.

It is possible to incorporate into them a disconnecting switch, having a knob locking the box lid.





# FUNCTIONS AND CONNECTIONS OF THE CONTROL UNITS

• supported

- not supported

	ELPRO 62 ELPRO 63	ELPRO 12 EVO	ELPRO 70/3 PLUS	ELPRO 37	ELPRO 35	ELPRO 42 ELPRO 43
Three-phase operators	-	-	•	•	-	-
Photocell stop on opening	•	•	•	•	•	•
2 <sup>a</sup> pair photocell input	•	•	-	•	•	•
Safety edge dedicated input	•	•	-	•	•	•
2 <sup>a</sup> safety edge dedicated input	•	•	-	•	•	•
Device for photocell Safety Autotest (DSA)	•	-	-	•	•	•
Device for safety edge Autotest (DACs)	•	•	-	•	•	•
Electronic brake	•	•	-	•	-	-
Memorize remaining motor run time on interrupted cycles	-	-	-	-	-	-
Gradual acceleration and slowdown	•	•	-	-	•	•
Torque control adjustment	•	•	-	-	•	•
RT data	•	•	-	-	•	•
Run times learning by radio remote control	•	•	-	-	•	•
Secondary board activation (slave mode)	•	•	-	-	•	-
Electric lock	-	-	•	•	-	•
Step-by-step mode	•	•	•	•	•	•
Deadman control (hold-on-switched)	-	•	•	•	-	-
Pedestrian opening	•	•	•	•	•	•
Pedestrian opening by remote control	•	•	•	•	•	•
Stroke reversing pulse	-	•	-	-	-	•
External clock	•	•	•	•	•	•
Courtesy light	•	•	•	•	•	•
Automation status indication light	•	•	•	•	•	•
Semiautomatic mode	•	•	•	•	•	•
Automatic mode	•	•	•	•	•	•
Pre-flashing	•	•	•	•	•	•
No flashing in dwell time, automatic mode	•	•	•	•	•	•
Plug-in radio card	•	•	•	•	•	•
No travel reverse by remote control on opening	•	•	•	•	•	•
Auto-close: gate recloses on crossing photocells	•	•	-	•	•	•
Pre-set for traffic light, up to 3 lights	-	-	-	•	-	-



• supported    - not supported

	ELPRO 7 RP	ELPRO 27	ELPRO 6 exp	ELPRO 88 exp	ELPRO 980	ELPRO XE
Three-phase operators	-	-	-	-	-	-
Photocell stop on opening	•	•	-	-	•	•
2 <sup>a</sup> pair photocell input	-	•	-	-	-	•
Safety edge dedicated input	-	•	-	-	-	-
2 <sup>a</sup> safety edge dedicated input	-	•	-	-	-	-
Device for photocell Safety Autotest (DSA)	-	•	-	-	-	-
Device for safety edge Autotest (DACS)	-	•	-	-	-	-
Electronic brake	-	-	-	-	-	-
Memorize remaining motor run time on interrupted cycles	•	•	-	-	-	•
Gradual acceleration and slowdown	-	-	-	-	-	-
Torque control adjustment	•	-	-	-	-	•
RT data	-	-	-	-	-	-
Run times learning by radio remote control	•	-	-	-	-	-
Secondary board activation (slave mode)	-	-	-	-	•	-
Electric lock	•	•	-	-	-	•
Step-by-step mode	•	•	•	•	•	•
Deadman control (hold-on-switched)	-	•	-	-	•	•
Pedestrian opening	•	•	-	-	-	•
Pedestrian opening by remote control	•	•	-	-	-	•
Stroke reversing pulse	-	•	-	-	-	•
External clock	-	•	-	-	•	•
Courtesy light	-	•	•	-	-	•
Automation status indication light	•	•	-	-	•	•
Semiautomatic mode	•	•	•	•	•	•
Automatic mode	•	•	•	•	•	•
Pre-flashing	•	•	-	-	•	•
No flashing in dwell time, automatic mode	•	•	-	-	•	•
Plug-in radio card	•	•	•	•	•	•
No travel reverse by remote control on opening	•	•	-	-	•	•
Auto-close: gate recloses on crossing photocells	-	•	-	-	•	•
Pre-set for traffic light, up to 3 lights	-	•	-	-	•	-



## FOR SLIDING GATES

### 620L ELPRO 62

#### COMPATIBILITY

Electronic control unit for JUNIOR 624.

#### OPERATING MODES

Automatic, semiautomatic, step by step automatic, pedestrian and pre-flashing.

#### MAIN FUNCTIONS

Simple programming by one button: gate travel settings by auto-learning, slowdowns, gate travel reversing on obstacle impact, preset for a second sliding gate (master/slave), electronic brake. Green/red diagnostic LED lights for an easy assessment of the operator status. Possibility to connect 2 x 2,6 Ah - 12 V batteries. (DSA) photocells autotest, (DACs) safety edges autotest, logic system (RT DATA). Working temperature -20 °C +55 °C.



### 630L ELPRO 63

#### COMPATIBILITY

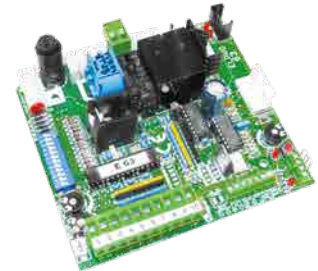
Electronic control unit for JUNIOR 633 and JUNIOR 650.

#### OPERATING MODES

Automatic, semiautomatic, step by step automatic, pedestrian and pre-flashing.

#### MAIN FUNCTIONS

Simple programming by one button: gate travel settings by auto-learning, slowdowns, gate travel reversing on obstacle impact, preset for a second sliding gate (master/slave), electronic brake. Green/red diagnostic LED lights for an easy assessment of the operator status. (DSA) photocells autotest, (DACs) safety edges autotest, logic system (RT DATA). Working temperature -20 °C +55 °C.



#### TECHNICAL FEATURES

	<b>620L ELPRO 62</b>	<b>630L ELPRO 63</b>
Board supply voltage 1PH (Vac - Hz)	230 - 50	230 - 50
Board supply voltage 3PH (Vac - Hz)	-	-
Motor max. power (W)	200	375
Courtesy light output (Vdc - mA)	24 - 50	24 - 50
Output for photocells/keyswitch/radio receiver (Vdc - mA)	24 - 500	24 - 500
Pilot light output (Vdc - W)	24 - 1	24 - 1
DSA control output (Vdc - mA)	24 - 150	24 - 150
Flashing light output (Vdc - W   Vac - W)	24 - 15	230 - 25
Motor run time (s)	-	-
Dwell time (s)	1 - 120	1 - 120
Gate delay time on closing (s)	-	-
Pedestrian opening time (min)	max 3	max 3

## FOR SLIDING GATES

### 7063L ELPRO 12 EVO

#### COMPATIBILITY

Electronic control unit for NYOTA 115 EVO.

#### OPERATING MODES

Automatic, semiautomatic, step by step automatic, deadman control, pedestrian and pre-flashing.

#### MAIN FUNCTIONS

Simple programming by one button: electronic brake, programmable slowdowns, preset to take an external clock, master/slave option, gate travel reversing on obstacle detection by encoder, (DSA) photocells autotest, (DACS) safety edges autotest, logic system (RT DATA). Working temperature -20 °C +55 °C.



### 7064L ELPRO 12 PLUS FN

#### COMPATIBILITY

Electronic control unit for NYOTA 115 EVO.

#### OPERATING MODES

Automatic, semiautomatic, step by step automatic, deadman control, pedestrian and pre-flashing.

#### MAIN FUNCTIONS

Negative brake (the operator is turned into a reversible unit only in case of power disconnection), preset to take an external clock, (DSA) photocells autotest, (DACS) safety edges autotest. Working temperature -20 °C +55 °C.



#### TECHNICAL FEATURES

	<b>7063L ELPRO 12 EVO</b>	<b>7064L ELPRO 12 PLUS FN</b>
Board supply voltage 1PH (Vac - Hz)	230 - 50	230 - 50
Board supply voltage 3PH (Vac - Hz)	-	-
Motor max. power (W)	-	-
Courtesy light output (Vac - W - min)	230 - 100 - 3	230 - 100 - 3
Output for photocells/keyswitch/radio receiver (Vac - mA)	24 - 500	24 - 500
Pilot light output (Vac - W)	24 - 3	24 - 3
DSA control output (Vdc - mA)	-	-
Flashing light output (Vac - W)	230 - 25	230 - 25
Motor run time (s)	1 - 200	1 - 200
Dwell time (s)	2 - 128	2 - 128
Gate delay time on closing (s)	-	-
Pedestrian opening time (s)	2 - 30	2 - 30



## FOR SLIDING GATES

### 7060L ELPRO 70/3 PLUS

#### COMPATIBILITY

Electronic control unit for MEC 200.

#### OPERATING MODES

Automatic, semiautomatic, step by step automatic, deadman control, pedestrian and pre-flashing.

#### MAIN FUNCTIONS

Intuitive settings by trimmers and dip-switches: electric lock power supply, radio card plug-in connector, connections for photocells, preset for external clock, operator status indication. Single- and three-phase power supply. Working temperature -20 °C +55 °C.



### 7087L ELPRO 37

#### COMPATIBILITY

Electronic control unit for sliding gates.

#### OPERATING MODES

Automatic, semiautomatic, step by step automatic, deadman control, pedestrian and pre-flashing.

#### MAIN FUNCTIONS

Intuitive settings by trimmers and dip-switches: electric lock power supply, preset for external clock, electronic brake, operator status indication. (DSA) photocells autotest, (DACS) safety edges autotest, preset for traffic lights up to 3 lights. Single- and three-phase power supply. Box size 210x295x110 mm. Grade of protection IP 64. Working temperature -20 °C +55 °C.



#### TECHNICAL FEATURES

	<b>7060L ELPRO 70/3 PLUS</b>	<b>7087L ELPRO 37</b>
Board supply voltage 1PH (Vac - Hz)	230 - 50	230 - 50/60
Board supply voltage 3PH (Vac - Hz)	230/400 - 50	400 - 50/60
Motor max. power (W)	375	750 1PH - 1.200 3PH
Courtesy light output (Vac)	Relay 12	Relay 12
Output for photocells/keyswitch/radio receiver (Vac - mA)	24 - 500	24 - 500
Pilot light output (Vac - W)	24 - 3	24 - 3
DSA control output (Vac - mA)	-	24 - 150
Flashing light output (Vac - W)	230 - 25	230 - 25
Motor run time (s)	5 - 150	0 - 120
Dwell time (s)	5 - 150	1 - 220
Gate delay time on closing (s)	-	-
Pedestrian opening time (s)	3 - 30	1 - 45

## FOR SLIDING GATES

### 7180L ELPRO 37 DS

#### COMPATIBILITY

Electronic control unit for two motors for sliding gates.

#### OPERATING MODES

Automatic, semiautomatic, step by step automatic, deadman control, pedestrian and pre-flashing.

#### MAIN FUNCTIONS

Intuitive settings by trimmers and dip-switches: electric lock power supply, preset for external clock, electronic brake, operator status indication, (DSA) photocells autotest, (DACS) safety edges autotest, preset for traffic lights up to 3 lights. Single- and three-phase power supply. Box size 210x295x110 mm. Grade of protection IP 64. Working temperature -20 °C +55 °C.



### 7184L ELPRO 37 FN

#### COMPATIBILITY

Electronic control unit for sliding gate motors.

#### OPERATING MODES

Automatic, semiautomatic, step by step automatic, deadman control, pedestrian and pre-flashing.

#### MAIN FUNCTIONS

Intuitive settings by trimmers and dip-switches: negative brake (the operator is turned into a reversible unit only in case of power disconnection), electric lock power supply, preset to take an external clock, operator status indication, (DSA) photocells autotest, (DACS) safety edges autotest, preset for traffic lights up to 3 lights. Single- and three-phase power supply. Box size 210x295x110 mm. Grade of protection IP 64. Working temperature -20 °C +55 °C.



#### TECHNICAL FEATURES

	<b>7180L ELPRO 37 DS</b>	<b>7184L ELPRO 37 FN</b>
Board supply voltage 1PH (Vac - Hz)	230 - 50/60	230 - 50/60
Board supply voltage 3PH (Vac - Hz)	400 - 50/60	400 - 50/60
Motor max. power (W)	750 1PH - 1.200 3PH	750 1PH - 1.200 3PH
Courtesy light output (Vac)	Relay 12	Relay 12
Output for photocells/keyswitch/radio receiver (Vac - mA)	24 - 500	24 - 500
Pilot light output (Vac - W)	24 - 3	24 - 3
DSA control output (Vac - mA)	24 - 150	24 - 150
Flashing light output (Vac - W)	230 - 25	230 - 25
Motor run time (s)	0 - 120	0 - 120
Dwell time (s)	1 - 220	1 - 220
Gate delay time on closing (s)	-	-
Pedestrian opening time (s)	1 - 45	1 - 45



## FOR SLIDING GATES

### 7185L ELPRO 37 HP

#### COMPATIBILITY

Electronic control unit with power contactors and electronic brake for sliding gate motors and motors with or without limit switches (max 3 HP single-phase or 5 HP three-phase).

#### OPERATING MODES

Automatic, semiautomatic, step by step automatic, deadman control, pedestrian and pre-flashing.

#### MAIN FUNCTIONS

Intuitive settings by trimmers and dip-switches: electric lock power supply, preset to take an external clock, electronic brake, operator status indication, (DSA) photocells autotest, (DACS) safety edges autotest, preset for traffic lights up to 3 lights. Single- and three-phase power supply. Box size 210x295x110 mm. Grade of protection IP 64. Working temperature -20 °C +55 °C.



#### TECHNICAL FEATURES

Board supply voltage 1PH (Vac - Hz)	230 - 50/60
Board supply voltage 3PH (Vac - Hz)	400 - 50/60
Motor max. power (W)	2.200 1PH - 3.650 3PH
Courtesy light output (Vac)	Relay 12
Output for photocells/keyswitch/radio receiver (Vac - mA)	24 - 500
Pilot light output (Vac - W)	24 - 3
DSA control output (Vac - mA)	24 - 150
Flashing light output (Vac - W)	230 - 25
Motor run time (s)	0 - 120
Dwell time (s)	1 - 220
Gate delay time on closing (s)	-
Pedestrian opening time (s)	1 - 45

#### 7185L ELPRO 37 HP



## FOR SWINGING GATES

### 3518L ELPRO 35M

#### COMPATIBILITY

Electronic control unit for BART 350 Master.

#### OPERATING MODES

Automatic, semiautomatic, step by step automatic, pedestrian and pre-flashing.

#### MAIN FUNCTIONS

Simple programming by one button: gate travel settings by auto-learning, slowdowns, gate travel reversing on obstacle impact, preset for connection to ELPRO 35S, slave control board. Intuitive settings by trimmers and dip-switches, green/red diagnostic LED lights for an easy assessment of the operator status, (DSA) photocells autotest, (DACs) safety edges autotest, logic system (RT DATA). Working temperature -20 °C +55 °C.



### 3519L ELPRO 35S

#### COMPATIBILITY

Electronic control board for the operator BART 350 Slave.

#### MAIN FUNCTIONS

Working temperature -20 °C +55 °C.



#### TECHNICAL FEATURES

Board supply voltage 1PH (Vac - Hz)	230 - 50
Board supply voltage 3PH (Vac - Hz)	-
Motor max. power (W)	200
Courtesy light output (Vdc - mA)	24 - 50
Output for photocells/keyswitch/radio receiver (Vdc - mA)	24 - 500
Pilot light output (Vdc - W)	24 - 1
DSA control output (Vdc)	24
Flashing light output (Vdc)	24
Motor run time (s)	-
Dwell time (s)	1 - 120
Gate delay time on closing (s)	-
Pedestrian opening time (s)	-

#### 3518L ELPRO 35M



## FOR SWINGING GATES

### 4200L ELPRO 42

#### COMPATIBILITY

Electronic control unit for DARDO 424.

#### OPERATING MODES

Automatic, semiautomatic, step by step automatic, pedestrian, stroke reversing pulse and pre-flashing.

#### MAIN FUNCTIONS

Simple programming by one button: motor run time, with or without gate delays, fixed slowdown on opening and closing phases. Amperometric function and encoder for gate travel reversing on impact. (DSA) photocells autotest, (DACS) safety edges autotest, logic system (RT DATA), dedicated output for electric lock, dedicated inputs for safety edges, speed adjustment, force adjustment and dwell time adjustment by trimmers. Dedicated outputs for two motors. Possibility to connect two x 2,6 Ah – 12 V batteries. Box size 210x295x110 mm. Grade of protection IP 64. Working temperature -20 °C +55 °C. Power supply by 12 V battery.



### 4202L ELPRO 42 - 110 V

#### COMPATIBILITY

Electronic control unit for DARDO 424. 110 Vac board power supply.

#### OPERATING MODES

Automatic, semiautomatic, step by step automatic, pedestrian, stroke reversing pulse and pre-flashing.

#### MAIN FUNCTIONS

Simple programming by one button: motor run time, with or without gate delays, fixed slowdown on opening and closing phases. Amperometric function and encoder for gate travel reversing on impact. (DSA) photocells autotest, (DACS) safety edges autotest, logic system (RT DATA), dedicated output for electric lock, dedicated inputs for safety edges, speed adjustment, force adjustment and dwell time adjustment by trimmers. Dedicated outputs for two motors. Possibility to connect two x 2,6 Ah – 12 V batteries. Box size 210x295x110 mm. Grade of protection IP 64. Working temperature -20 °C +55 °C. Power supply by 12 V battery.



#### TECHNICAL FEATURES

	<b>4200L ELPRO 42</b>	<b>4202L ELPRO 42 - 110 V</b>
Board supply voltage 1PH (Vac - Hz)	230 - 50	110 - 50/60
Board supply voltage 3PH (Vac - Hz)	-	-
Motor max. power (W)	200	200
Courtesy light output (Vdc - mA)	24 - 50	24 - 50
Output for photocells/keyswitch/radio receiver (Vdc - mA)	24 - 500	24 - 500
Pilot light output (Vdc - W)	24 - 3	24 - 3
DSA control output (Vdc - mA)	24 - 150	24 - 150
Flashing light output (Vdc - W)	24 - 15	24 - 15
Motor run time (s)	-	-
Dwell time (s)	1 - 120	1 - 120
Gate delay time on closing (s)	-	-
Pedestrian opening time (s)	-	-

## FOR SWINGING GATES

### 4300L ELPRO 43

#### COMPATIBILITY

Electronic control unit for DARDO 430.

#### OPERATING MODES

Automatic, semiautomatic, step by step automatic, pedestrian, stroke reversing pulse and pre-flashing.

#### MAIN FUNCTIONS

Simple programming by one button: motor run time, with or without gate delays, fixed slowdown on opening and closing phases. Amperometric function and encoder for gate travel reversing on impact. (DSA) photocells autotest, (DACS) safety edges autotest, logic system (RT DATA), dedicated output for electric lock, dedicated inputs for safety edges, speed adjustment, force adjustment and dwell time adjustment by trimmers. Dedicated outputs for two motors. Box size 210x295x110 mm. Grade of protection IP 64. Working temperature -20 °C +55 °C.



### 6610L ELPRO 7 RP

#### COMPATIBILITY

Electronic control unit for NUPI 66.

#### OPERATING MODES

Automatic, semiautomatic, step by step automatic, pedestrian and pre-flashing.

#### MAIN FUNCTIONS

Simple programming by one button: torque control, electric lock power supply, radio card plug-in connector, connections for photocells and open-stop-close push buttons, green/red diagnostic LED lights for an easy assessment of the operator status, low and high voltage fuses, storing of the time settings. Box size 210x295x110 mm. Grade of protection IP 64. Working temperature -20 °C +55 °C.



#### TECHNICAL FEATURES

	<b>4300L ELPRO 43</b>	<b>6610L ELPRO 7 RP</b>
Board supply voltage 1PH (Vac - Hz)	230 - 50	230 - 50
Board supply voltage 3PH (Vac - Hz)	-	-
Motor max. power (W)	500	500
Courtesy light output (Vdc - mA)	24 - 50	-
Output for photocells/keyswitch/radio receiver (Vdc - mA)	24 - 500	24 - 500
Pilot light output (Vdc - W   Vac - W)	24 - 3	24 - 3
DSA control output (Vdc)	24	-
Flashing light output (Vac - W)	230 - 25	230 - 25
Motor run time (s)	-	~ 20
Dwell time (s)	1 - 120	on automatic 15, max 90
Gate delay time on closing (s)	-	6
Pedestrian opening time (s)	-	-



## FOR SWINGING GATES

### 7047L ELPRO 27

#### COMPATIBILITY

Electronic control unit for single or double swinging gate motors, with or without limit switches. For single or double sliding gate motors (max 0,5 HP with mechanical clutch).

#### OPERATING MODES

Automatic, semiautomatic, step by step automatic, deadman control, pedestrian, stroke reversing pulse and pre-flashing.

#### MAIN FUNCTIONS

Intuitive settings by trimmers and dip-switches: electric lock power supply, (DSA) photocells autotest, (DACS) safety edges autotest, preset for traffic lights up to 3 lights, storing of time settings, operator status indication. Box size 210x295x110 mm. Grade of protection IP 64. Working temperature -20 °C +55 °C.



### 7048L ELPRO 27 HP - 110 V

#### COMPATIBILITY

Electronic control unit for single or double swinging gate motors, with or without limit switches. For single or double sliding gate motors (max 0,5 HP with mechanical clutch). 110 Vac board power supply.

#### OPERATING MODES

Automatic, semiautomatic, step by step automatic, deadman control, pedestrian, stroke reversing pulse and pre-flashing.

#### MAIN FUNCTIONS

Intuitive settings by trimmers and dip-switches: electric lock power supply, (DSA) photocells autotest, (DACS) safety edges autotest, preset for traffic lights up to 3 lights, storing of time settings, operator status indication. Box size 210x295x110 mm. Grade of protection IP 64. Working temperature -20 °C +55 °C.



#### TECHNICAL FEATURES

	<b>7047L ELPRO 27</b>	<b>7048L ELPRO 27 HP - 110 V</b>
Board supply voltage 1PH (Vac - Hz)	230 - 50/60	110 - 50/60
Board supply voltage 3PH (Vac - Hz)	-	-
Motor max. power (W)	750	750
Courtesy light output (Vac - W)	230 - 100	230 - 100
Output for photocells/keyswitch/radio receiver (Vac)	24	24
Pilot light output (Vac - W)	24 - 3	24 - 3
DSA control output (Vac - mA)	24 - 150	24 - 150
Flashing light output (Vac - W)	230 - 25	230 - 25
Motor run time (s)	0 - 120 (sliding) 0 - 60 (swinging)	0 - 120 (sliding) 0 - 60 (swinging)
Dwell time (s)	1 - 220	1 - 220
Gate delay time on closing (s)	0 - 10	0 - 10
Pedestrian opening time (s)	1 - 45	1 - 45

## FOR SWINGING GATES

### 7042L ELPRO 27 HP - 230 V

#### COMPATIBILITY

Electronic control unit for single or double swinging gate motors, with or without limit switches. For single or double sliding gate motors (max 1,5 HP with mechanical clutch). 230 Vac board power supply.

#### OPERATING MODES

Automatic, semiautomatic, step by step automatic, deadman control, pedestrian, stroke reversing pulse and pre-flashing.

#### MAIN FUNCTIONS

Intuitive settings by trimmers and dip-switches: electric lock power supply, (DSA) photocells autotest, (DACS) safety edges autotest, preset for traffic lights up to 3 lights, storing of time settings, operator status indication. Box size 210x295x110 mm. Grade of protection IP 64. Working temperature -20 °C +55 °C.



### 7183L ELPRO 37 DB

#### COMPATIBILITY

Electronic control unit for double swinging gate motors (max 1,5 HP three-phase or 1,0 HP single-phase).

#### OPERATING MODES

Automatic, semiautomatic, step by step automatic, deadman control, pedestrian, stroke reversing pulse and pre-flashing.

#### MAIN FUNCTIONS

Intuitive settings by trimmers and dip-switches: electric lock power supply, preset for external clock, electronic brake, operator status indication. (DSA) photocells autotest, (DACS) safety edges autotest, preset for traffic lights up to 3 lights. Single- and three-phase power supply. Box size 210x295x110 mm. Grade of protection IP 64. Working temperature -20 °C +55 °C.



#### TECHNICAL FEATURES

	<b>7042L ELPRO 27 HP - 230 V</b>	<b>7183L ELPRO 37 DB</b>
Board supply voltage 1PH (Vac - Hz)	230 - 50/60	230 - 50/60
Board supply voltage 3PH (Vac - Hz)	-	400 - 50/60
Motor max. power (W)	2.200	750 1PH - 1.200 3PH
Courtesy light output (Vac - W   Vac)	230 - 100	Relay 12
Output for photocells/keyswitch/radio receiver (Vac - mA)	24	24 - 500
Pilot light output (Vac - W)	24 - 3	24 - 3
DSA control output (Vac - mA)	24 - 150	24 - 150
Flashing light output (Vac - W)	230 - 25	230 - 25
Motor run time (s)	0 - 120 (sliding) 0 - 60 (swinging)	0 - 120
Dwell time (s)	1 - 220	1 - 220
Gate delay time on closing (s)	0 - 10	0 - 10
Pedestrian opening time (s)	1 - 45	-



## FOR INDUSTRIAL AND GARAGE DOORS

### 243L ELPRO 6 exp

#### COMPATIBILITY

Electronic control unit for APROLI 480.

#### OPERATING MODES

Automatic, semiautomatic, step by step automatic.

#### MAIN FUNCTIONS

Intuitive settings by trimmers and dip-switches: button switch to open/stop/close operations, radio card plug-in connector, photocells connections, low and high voltage fuses, automatic closing. Box size 147x197x80 mm. Grade of protection IP 56. Working temperature -20 °C +55 °C.



### 7087L ELPRO 37

(see page 132 for the technical features)



### 7180L ELPRO 37 DS

(see page 133 for the technical features)



### 7185L ELPRO 37 HP

(see page 134 for the technical features)



#### TECHNICAL FEATURES

Board supply voltage 1PH (Vac - Hz)	230 - 50
Board supply voltage 3PH (Vac - Hz)	-
Motor max. power (W)	400
Courtesy light output (Vac - W)	230 - 25
Output for photocells/keyswitch/radio receiver (Vac - mA)	24 - 500
Pilot light output (Vac - W)	-
DSA control output (Vac - mA)	-
Flashing light output (Vac - W)	230 - 25
Motor run time (s)	-
Dwell time (s)	-
Gate delay time on closing (s)	-
Pedestrian opening time (s)	-

#### 243L ELPRO 6 exp

## FOR AUTOMATIC BARRIERS

### 2431L ELPRO 88 exp

#### COMPATIBILITY

Electronic control unit for BARRI 88.

#### OPERATING MODES

Automatic, semiautomatic, step by step automatic.

#### MAIN FUNCTIONS

Intuitive settings by trimmers and dip-switches: radio card plug-in connector, photocells connections, low and high voltage fuses, automatic closing. Box size 147x197x80 mm. Grade of protection IP 56.

Working temperature -20 °C +55 °C.



### 9899L ELPRO 980

#### COMPATIBILITY

Electronic control unit for BAYT 980.

#### OPERATING MODES

Automatic, semiautomatic, step by step automatic, deadman control and pre-flashing.

#### MAIN FUNCTIONS

Intuitive settings by trimmers and dip-switches: preset to operate two synchronized barriers at a time (master/slave), external clock, traffic lights up to 3 lights, operator status indication. Box size 235x314x139 mm.

Grade of protection IP 53. Working temperature -20 °C +55 °C.



#### TECHNICAL FEATURES

	<b>2431L ELPRO 88 exp</b>	<b>9899L ELPRO 980</b>
Board supply voltage 1PH (Vac - Hz)	230 - 50	230 - 50
Board supply voltage 3PH (Vac - Hz)	-	-
Motor max. power (W)	400	1.200
Courtesy light output (Vac)	-	-
Output for photocells/keyswitch/radio receiver (Vac - mA)	24 - 500	24 - 500
Pilot light output (Vac - W)	-	24 - 3
DSA control output (Vac - mA)	-	-
Flashing light output (Vac - W)	230 - 25	230 - 25
Motor run time (s)	60	25 max
Dwell time (s)	-	0 - 180
Gate delay time on closing (s)	-	-
Pedestrian opening time (s)	-	-



## FOR TWO 230 Vac 1PH MOTORS

### 7271L ELPRO XE

#### COMPATIBILITY

Electronic control unit for motors with or without mechanical limit switch.

#### OPERATING MODES

Automatic, semiautomatic, step by step automatic, deadman control, pedestrian, stroke reversing pulse and pre-flashing.

#### MAIN FUNCTIONS

Intuitive settings by trimmers and dip-switches: dedicated output for electric lock, storing of time settings, torque control for electromechanical motor operators, external clock, traffic lights up to 3 lights, diagnostic green/red LED lights to easily assess the operator status. Box size 210x295x110 mm. Grade of protection IP 64.

Working temperature -20 °C +55 °C.



#### TECHNICAL FEATURES

Board supply voltage 1PH (Vac - Hz)	230 - 50
Board supply voltage 3PH (Vac - Hz)	-
Motor max. power (W)	750
Courtesy light output (Vac - W)	230 - 100
Output for photocells/keyswitch/radio receiver (Vac)	24
Pilot light output (Vac - W)	24 - 3
DSA control output (Vac - mA)	24 - 150
Flashing light output (Vac - W)	230 - 25
Motor run time (s)	0 - 120 (sliding) 0 - 60 (swinging)
Dwell time (s)	0 - 220
Gate delay time on closing (s)	0 - 10
Pedestrian opening time (s)	0 - 30

#### 7271L ELPRO XE



## ACCESSORIES FOR ELECTRONIC BOARDS

### 2746L HELIOS 29

#### COMPATIBILITY

Plug-in electronic pcb studied for ELPRO 27/S40/7RP/XE control units.

#### MAIN FUNCTIONS

It allows, in the most cold environments (-40 °C), for the oil inside Fadini oil-hydraulic actuators to stay within its normal working temperature range. It is easy to select the temperature at which HELIOS 29 is activated by a trimmer on the board, using the thermostat integrated inside HELIOS 29. Complete with temperature probe with 5 m cable and connector. It is also possible to connect an external thermostat (optional accessory) to take the temperature at a distance from the HELIOS 29 card and therefore pilot the same.

Board size 50x110x160 mm. Probe size 60x67x70 mm.



### 7230L DUPCO 72

#### COMPATIBILITY

Electronic pcb studied for the entire range of ELPRO control units.






#### MAIN FUNCTIONS

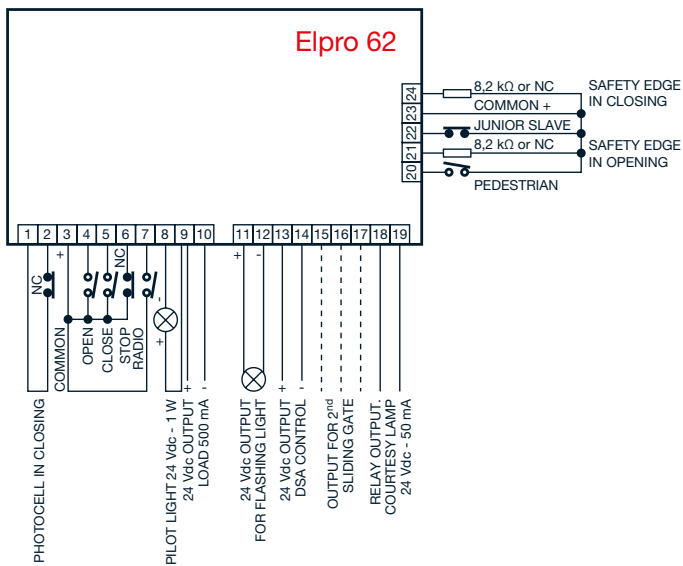
By DUPCO 72 it is possible to get two dry output contacts by duplicating the single contact inputs of the limit switches. It is possible to connect to it up to two motor operators fitted with limit switches.

Board size 32x61x100 mm.

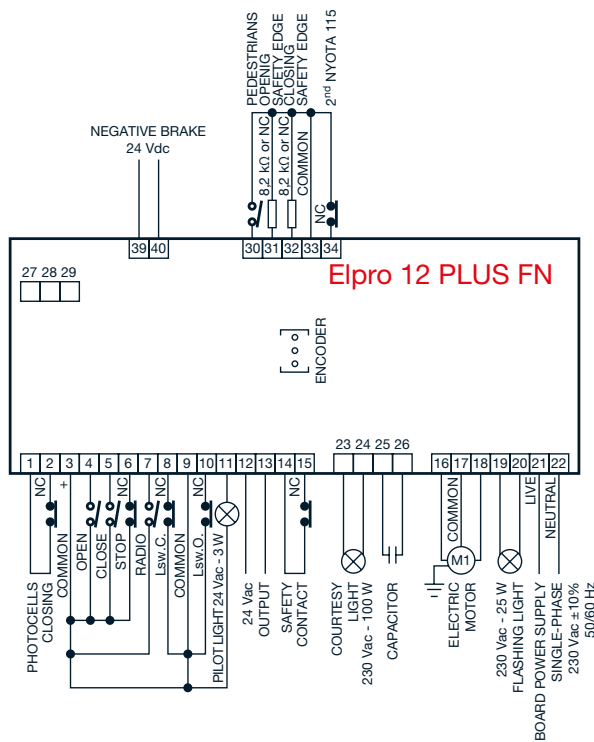
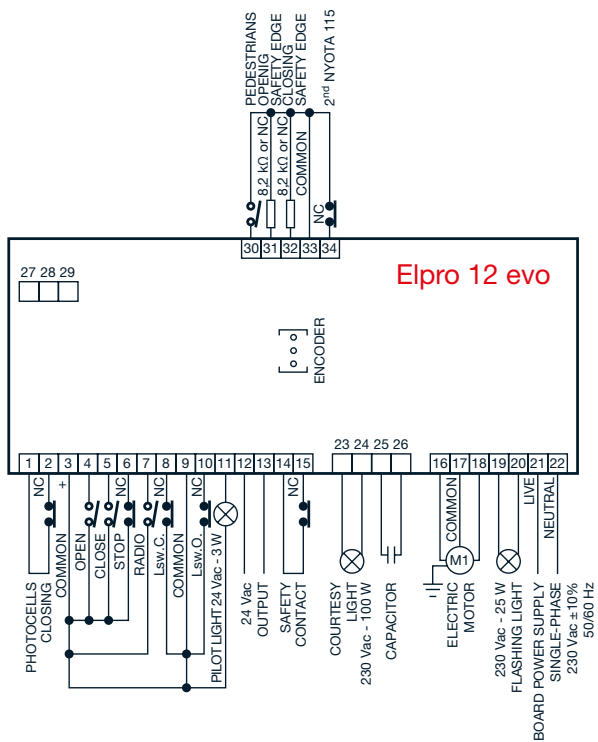
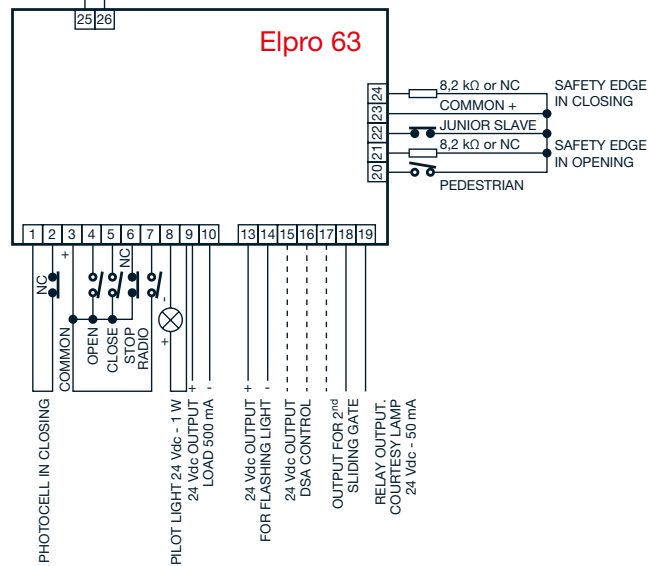


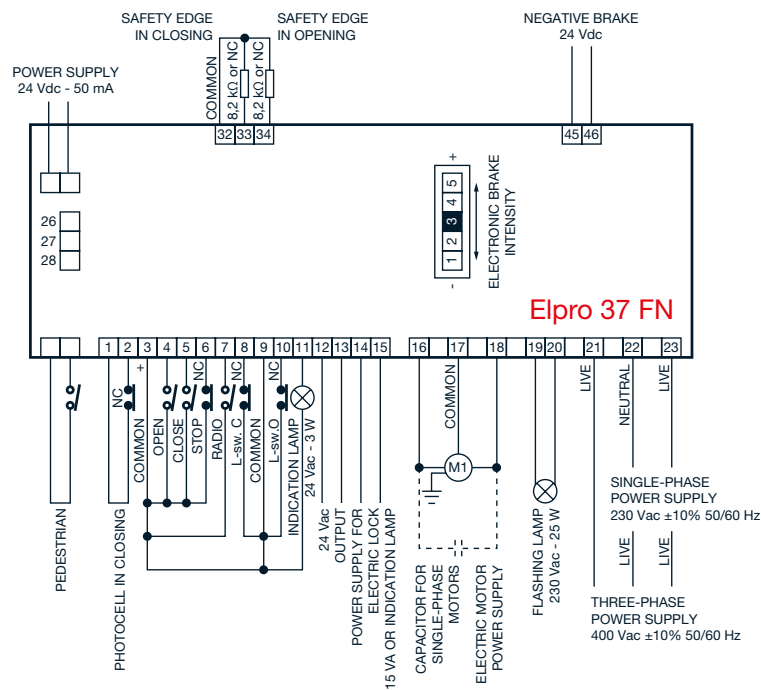
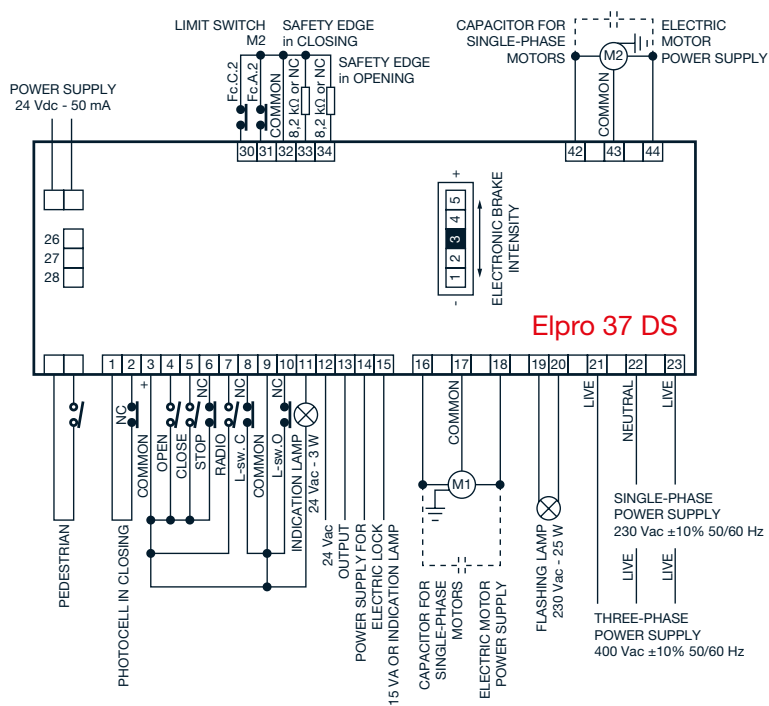
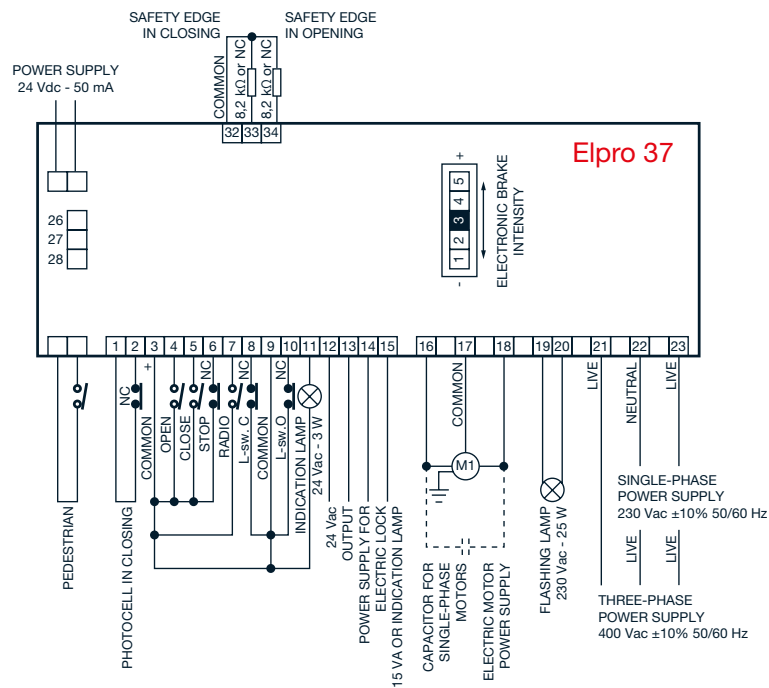
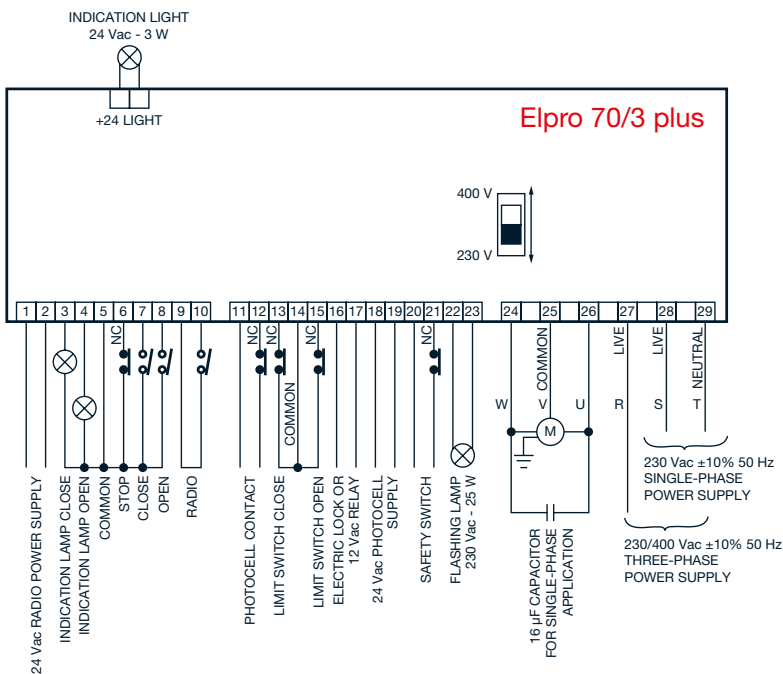
## SPECIFIC ACCESSORIES

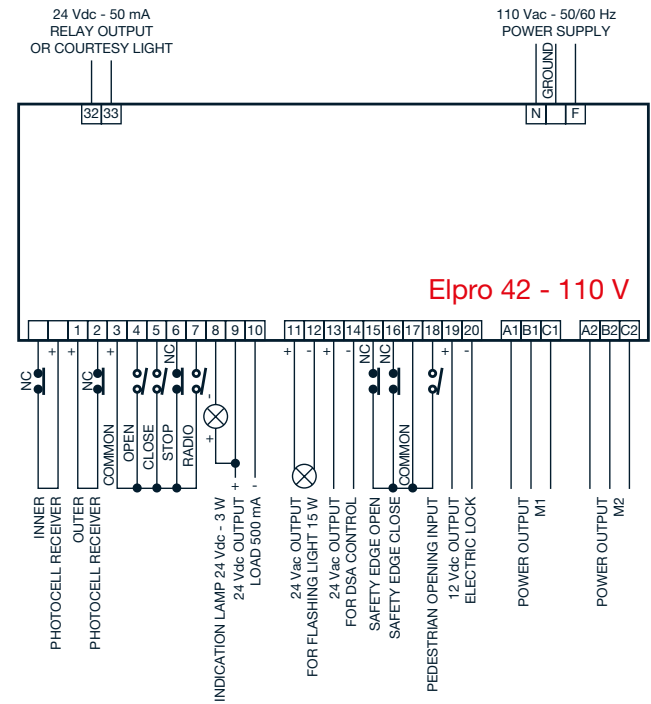
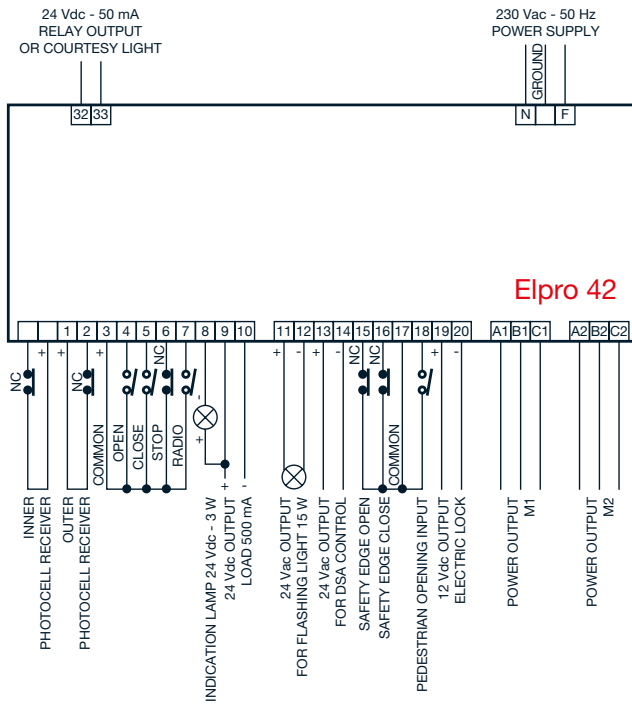
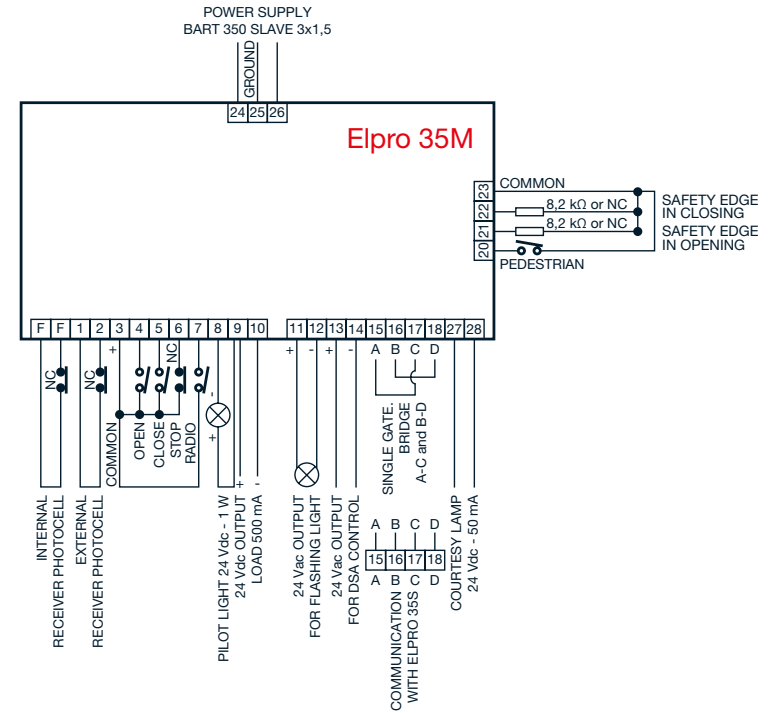
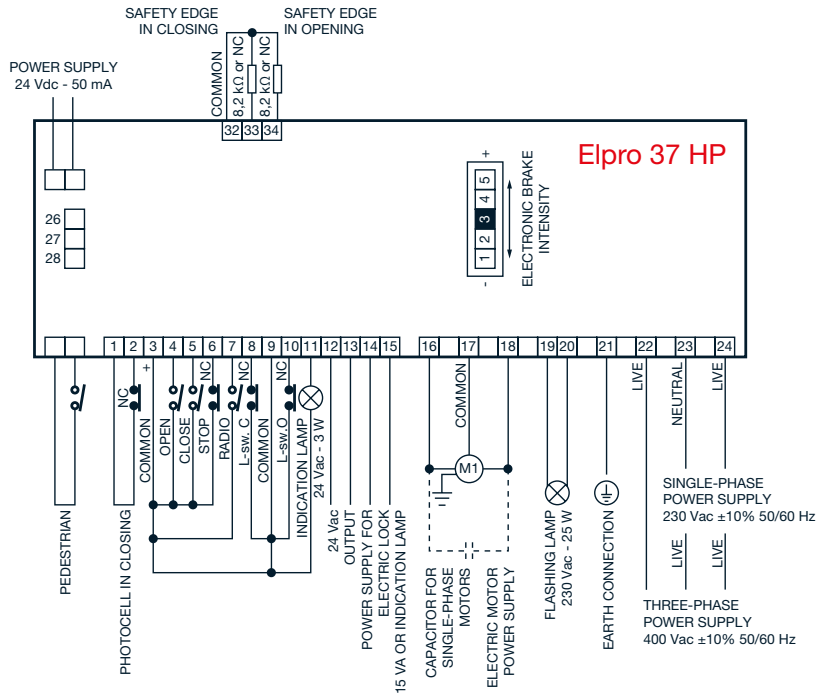
CODE	DESCRIPTION
 <b>2729L</b>	Polycarbonate box for external applications, with hinged lid, for the ELPRO control units. Grade of protection IP 64. Dimensions of the box 210x295x110 mm
 <b>2731L</b>	Lockable door knob complete with front cover plate 48x48 mm, yellow-red and screws
 <b>2732L</b>	3-pole disconnect switch for door knob control
 <b>7062L</b>	Microprocessor for ELPRO control units
 <b>7282L</b>	Plug-in electronic card for traffic lights control, for the ELPRO control units (where applicable)



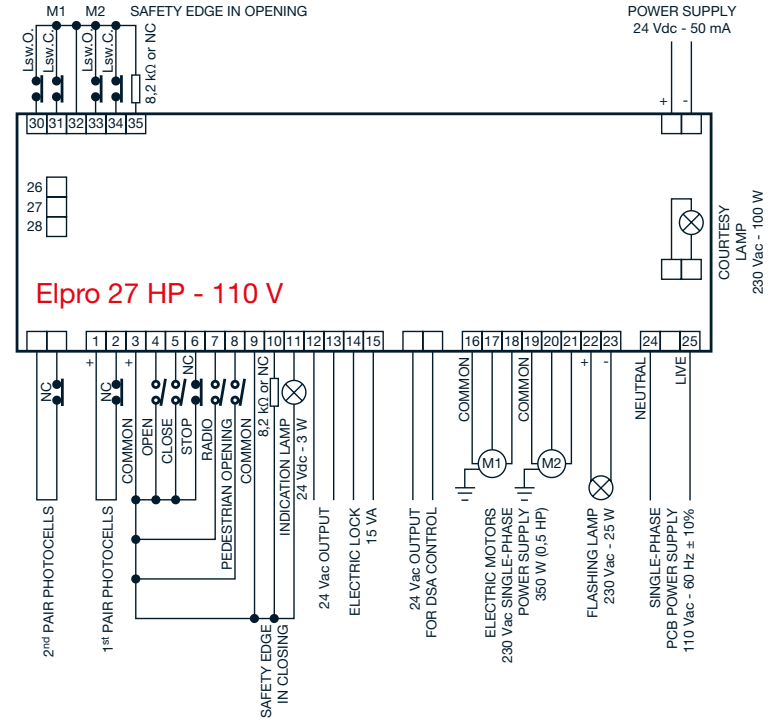
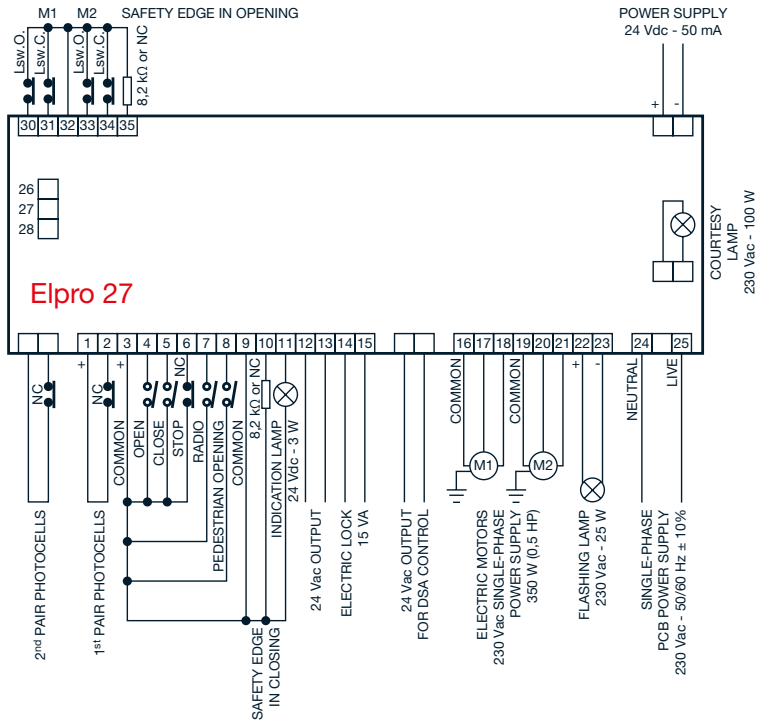
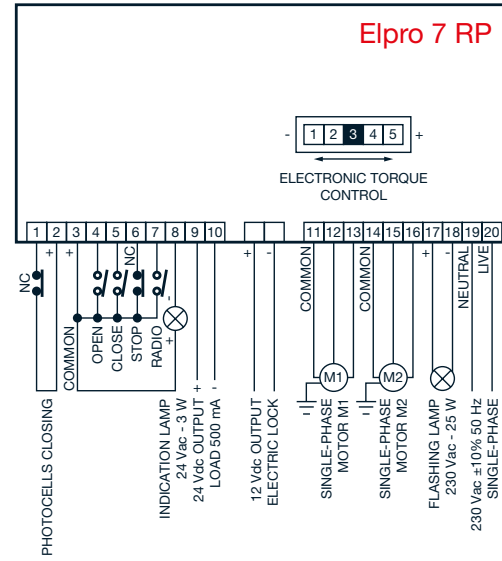
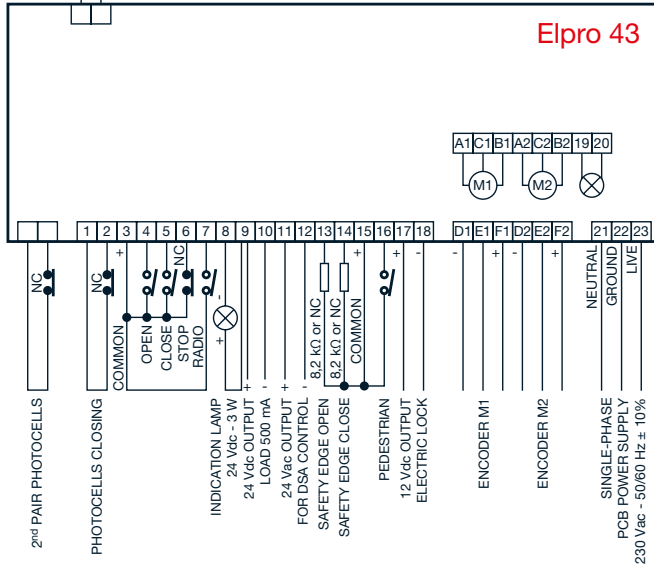
OUTPUT FOR FLASHING LIGHT  
230 Vac - 25 W



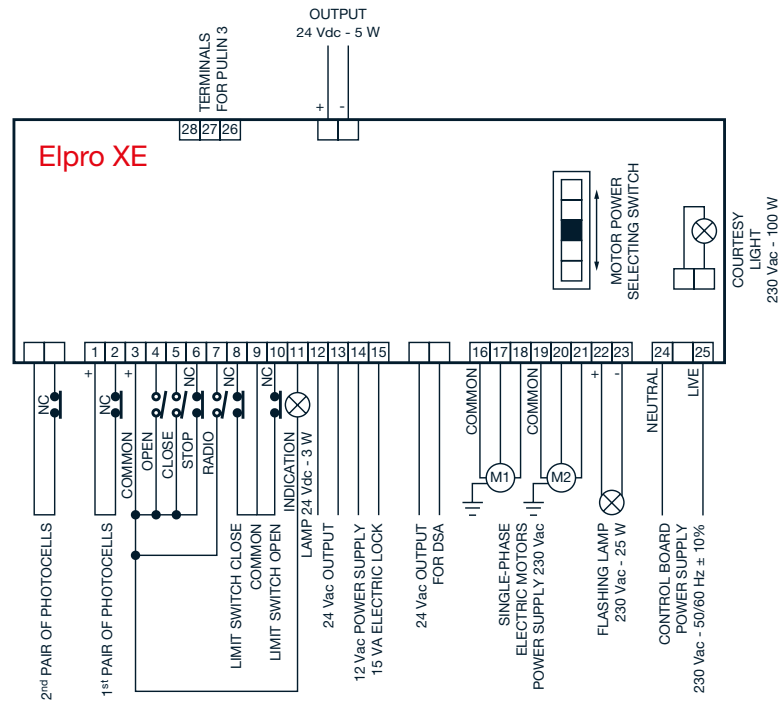
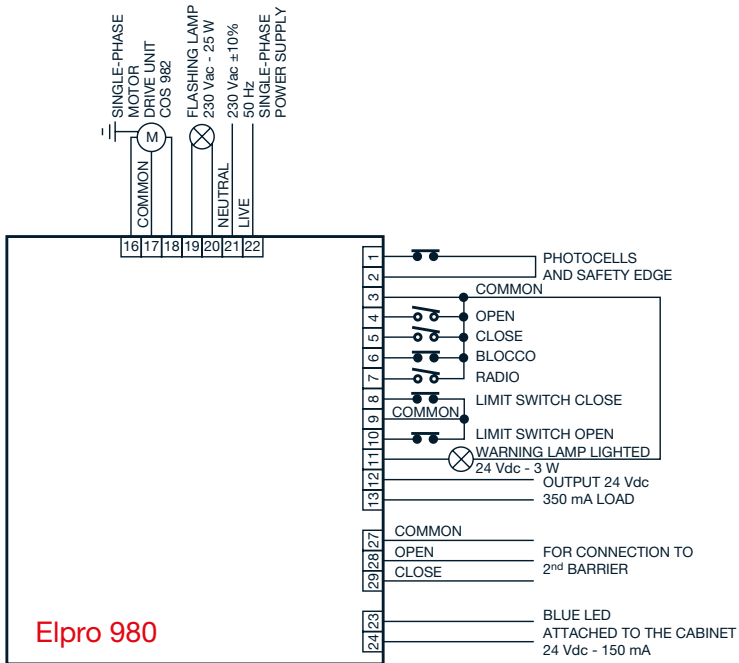




24 Vdc - 50 mA  
RELAY OUTPUT  
OR COURTESY LIGHT







---

Automations in  
**KIT**







## FOR SLIDING GATES

**JUNIOR 624** kit 152

---

**JUNIOR 633** kit 153

---

**JUNIOR 650** kit 154

---

## FOR SWINGING GATES

**DARDO 424** kit 155

---

**DARDO 430** kit 156

---

**HINDI 880 SPRINT** kit 157

---

**NUPI 66** kit 158

---

**BART 350** kit 159

---

## FOR OVERHEAD DOORS

**APROLI 480** kit 160

---





# KIT JUNIOR 624

## 624K0VL kit

for sliding gates up to 400 kg  
residential applications



### 624L

24 Vdc geared motor operator with  
ELPRO 62 control unit, magnetic limit switch,  
speed 12 m/min

1x

## 625K0VL kit

for sliding gates up to 400 kg  
residential applications



### 624L

24 Vdc geared motor operator with  
ELPRO 62 control unit, magnetic limit switch,  
speed 12 m/min

1x



1x

### 142L

ZERO.K  
key-switch, surface mount  
standard cylinder



1x

### 140L

ZERO.PH  
pair of photocells, surface mount



1x

### 5313GL

VIX 53/4 TR  
4-channel transmitter, 868,19 MHz  
lime green colour



1x

### 5311L

VIX 53/2 R  
plug-in radio receiver



1x

### 152L

ZERO.L  
Flashing light, 230 Vac - 24 Vac/dc



1x

### 2127L

Warning plate

18 kits / pallet



1x

### 140L

ZERO.PH  
pair of photocells, surface mount



2x

### 5313GL

VIX 53/4 TR  
4-channel transmitter, 868,19 MHz  
lime green colour



1x

### 5311L

VIX 53/2 R  
plug-in radio receiver



1x

### 152L

ZERO.L  
Flashing light, 230 Vac - 24 Vac/dc



1x

### 2127L

Warning plate

18 kits / pallet



# KIT JUNIOR 633

## 633K0VL kit

for sliding gates up to 600 kg  
residential, collective and industrial applications



### 633L

230 Vac geared motor operator with  
ELPRO 63 control unit, magnetic limit switch,  
speed 10 m/min

1x

## 634K0VL kit

for sliding gates up to 600 kg  
residential, collective and industrial applications



### 633L

230 Vac geared motor operator with  
ELPRO 63 control unit, magnetic limit switch,  
speed 10 m/min

1x



1x

### 142L

ZERO.K  
key-switch, surface mount  
standard cylinder



1x

### 140L

ZERO.PH  
pair of photocells, surface mount



1x

### 5313GL

VIX 53/4 TR  
4-channel transmitter, 868,19 MHz  
lime green colour



1x

### 5311L

VIX 53/2 R  
plug-in radio receiver



1x

### 152L

ZERO.L  
Flashing light, 230 Vac - 24 Vac/dc



1x

### 2127L

Warning plate

18 kits / pallet



1x

### 140L

ZERO.PH  
pair of photocells, surface mount



2x

### 5313GL

VIX 53/4 TR  
4-channel transmitter, 868,19 MHz  
lime green colour



1x

### 5311L

VIX 53/2 R  
plug-in radio receiver



1x

### 152L

ZERO.L  
Flashing light, 230 Vac - 24 Vac/dc



1x

### 2127L

Warning plate

18 kits / pallet



# KIT JUNIOR 650

**650K0VL kit**  
for sliding gates up to 1.200 kg  
industrial applications



**650L**  
230 Vac geared motor operator with  
ELPRO 63 control unit, magnetic limit switch,  
speed 10 m/min

1x

**651K0VL kit**  
for sliding gates up to 1.200 kg  
industrial applications



**650L**  
230 Vac geared motor operator with  
ELPRO 63 control unit, magnetic limit switch,  
speed 10 m/min

1x



1x **142L**  
ZERO.K  
key-switch, surface mount  
standard cylinder



1x **140L**  
ZERO.PH  
pair of photocells, surface mount



1x **5313GL**  
VIX 53/4 TR  
4-channel transmitter, 868,19 MHz  
lime green colour



1x **5311L**  
VIX 53/2 R  
plug-in radio receiver



1x **152L**  
ZERO.L  
Flashing light, 230 Vac - 24 Vac/dc



1x **2127L**  
Warning plate

18 kits / pallet



1x **140L**  
ZERO.PH  
pair of photocells, surface mount



2x **5313GL**  
VIX 53/4 TR  
4-channel transmitter, 868,19 MHz  
lime green colour



1x **5311L**  
VIX 53/2 R  
plug-in radio receiver



1x **152L**  
ZERO.L  
Flashing light, 230 Vac - 24 Vac/dc



1x **2127L**  
Warning plate

18 kits / pallet



# KIT DARDO 424

## 4240K0VL kit

for swinging gates with leaves up to 400 kg weight and 2,5 m length, residential applications

### 424L

24 Vdc operator

2x



## 4241K0VL kit

for swinging gates with leaves up to 400 kg weight and 2,5 m length, residential applications

### 424L

24 Vdc operator

2x



1x **4200L**  
ELPRO 42  
control unit



1x **142L**  
ZERO.K  
key-switch, surface mount  
standard cylinder



1x **140L**  
ZERO.PH  
pair of photocells, surface mount



1x **5313GL**  
VIX 53/4 TR  
4-channel transmitter, 868,19 MHz  
lime green colour



1x **5311L**  
VIX 53/2 R  
plug-in radio receiver



1x **152L**  
ZERO.L  
Flashing light, 230 Vac - 24 Vac/dc



1x **2127L**  
Warning plate

15 kits / pallet



1x **4200L**  
ELPRO 42  
control unit



1x **140L**  
ZERO.PH  
pair of photocells, surface mount



2x **5313GL**  
VIX 53/4 TR  
4-channel transmitter, 868,19 MHz  
lime green colour



1x **5311L**  
VIX 53/2 R  
plug-in radio receiver



1x **152L**  
ZERO.L  
Flashing light, 230 Vac - 24 Vac/dc



1x **2127L**  
Warning plate

15 kits / pallet



# KIT DARDO 430

## 4301K0VL kit

for swinging gates with leaves up to 350 kg weight and 2,8 m length, residential applications

### 430L

230 Vac operator

2x



## 4302K0VL kit

for swinging gates with leaves up to 350 kg weight and 2,8 m length, residential applications

### 430L

230 Vac operator

2x



1x **4300L**  
ELPRO 43  
control unit



1x **142L**  
ZERO.K  
key-switch, surface mount  
standard cylinder



1x **140L**  
ZERO.PH  
pair of photocells, surface mount



1x **5313GL**  
VIX 53/4 TR  
4-channel transmitter, 868,19 MHz  
lime green colour



1x **5311L**  
VIX 53/2 R  
plug-in radio receiver



1x **152L**  
ZERO.L  
Flashing light, 230 Vac - 24 Vac/dc



1x **2127L**  
Warning plate

15 kits / pallet



1x **4300L**  
ELPRO 43  
control unit



1x **140L**  
ZERO.PH  
pair of photocells, surface mount



2x **5313GL**  
VIX 53/4 TR  
4-channel transmitter, 868,19 MHz  
lime green colour



1x **5311L**  
VIX 53/2 R  
plug-in radio receiver



1x **152L**  
ZERO.L  
Flashing light, 230 Vac - 24 Vac/dc



1x **2127L**  
Warning plate

15 kits / pallet



# KIT HINDI 880 SPRINT

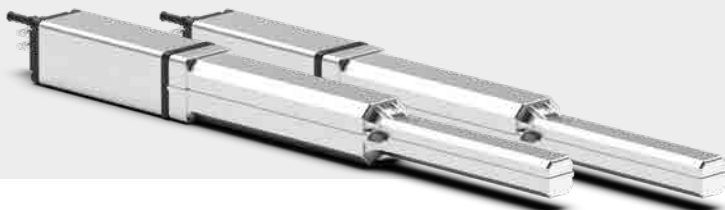
## 8820K0VL kit

for swinging gates with leaves up to 400 kg weight and 2,3 m length, residential applications

### 888L

230 Vac oil-hydraulic operator, locking in closed position

2x



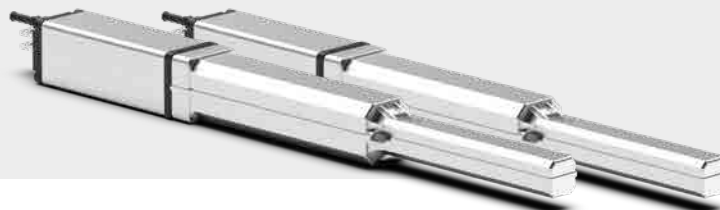
## 8821K0VL kit

for swinging gates with leaves up to 400 kg weight and 2,3 m length, residential applications

### 888L

230 Vac oil-hydraulic operator, locking in closed position

2x



1x **7047L**  
ELPRO 27  
control unit



1x **142L**  
ZERO.K  
key-switch, surface mount  
standard cylinder



1x **107L**  
TRIFO 11  
pair of photocells, surface mount



1x **5313GL**  
VIX 53/4 TR  
4-channel transmitter, 868,19 MHz  
lime green colour



1x **5311L**  
VIX 53/2 R  
plug-in radio receiver



1x **152L**  
ZERO.L  
Flashing light, 230 Vac - 24 Vac/dc



1x **2127L**  
Warning plate

12 kits / pallet



1x **7047L**  
ELPRO 27  
control unit



1x **107L**  
TRIFO 11  
pair of photocells, surface mount



2x **5313GL**  
VIX 53/4 TR  
4-channel transmitter, 868,19 MHz  
lime green colour



1x **5311L**  
VIX 53/2 R  
plug-in radio receiver



1x **152L**  
ZERO.L  
Flashing light, 230 Vac - 24 Vac/dc



1x **2127L**  
Warning plate

12 kits / pallet



# KIT NUPI 66

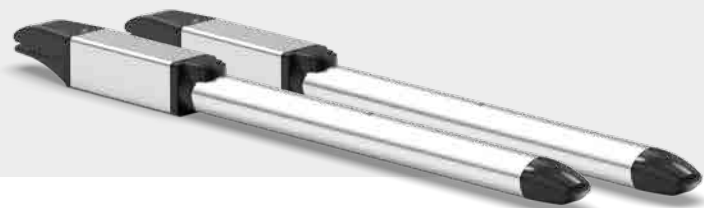
## 6660K0VL kit

for swinging gates with leaves up to 400 kg weight and 2,5 m length, residential applications

### 661L

230 Vac oil-hydraulic operator, locking in closed position

2x



1x **6610L**  
ELPRO 7 RP  
control unit



1x **142L**  
ZERO.K  
key-switch, surface mount  
standard cylinder



1x **107L**  
TRIFO 11  
pair of photocells, surface mount



1x **5313GL**  
VIX 53/4 TR  
4-channel transmitter, 868,19 MHz  
lime green colour



1x **5311L**  
VIX 53/2 R  
plug-in radio receiver



1x **152L**  
ZERO.L  
Flashing light, 230 Vac - 24 Vac/dc



1x **2127L**  
Warning plate

15 kits / pallet

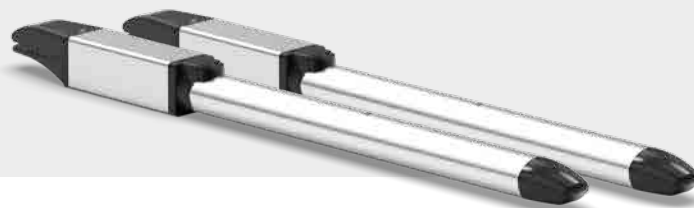
## 6661K0VL kit

for swinging gates with leaves up to 400 kg weight and 2,5 m length, residential applications

### 661L

230 Vac oil-hydraulic operator, locking in closed position

2x



1x **6610L**  
ELPRO 7 RP  
control unit



1x **107L**  
TRIFO 11  
pair of photocells, surface mount



2x **5313GL**  
VIX 53/4 TR  
4-channel transmitter, 868,19 MHz  
lime green colour



1x **5311L**  
VIX 53/2 R  
plug-in radio receiver



1x **152L**  
ZERO.L  
Flashing light, 230 Vac - 24 Vac/dc



1x **2127L**  
Warning plate

15 kits / pallet





# KIT BART 350

## 3520K0VL kit

for swinging gates with leaves up to 300 kg weight and 2,3 m length, residential applications



- 1x **351L** Master geared motor operator 24 Vdc with ELPRO 35M control unit
- 1x **352L** Slave geared motor operator 24 Vdc with ELPRO 35S control board
- 2x **358L** Articulated arm

## 3521K0VL kit

for swinging gates with leaves up to 300 kg weight and 2,3 m length, residential applications



- 1x **351L** Master geared motor operator 24 Vdc with ELPRO 35M control unit
- 1x **352L** Slave geared motor operator 24 Vdc with ELPRO 35S control board
- 2x **358L** Articulated arm



- 1x **142L** ZERO.K key-switch, surface mount standard cylinder



- 1x **140L** ZERO.PH pair of photocells, surface mount



- 1x **5313GL** VIX 53/4 TR 4-channel transmitter, 868,19 MHz lime green colour



- 1x **5311L** VIX 53/2 R plug-in radio receiver



- 1x **152L** ZERO.L Flashing light, 230 Vac - 24 Vac/dc



- 1x **2127L** Warning plate

12 kits / pallet



- 1x **140L** ZERO.PH pair of photocells, surface mount



- 2x **5313GL** VIX 53/4 TR 4-channel transmitter, 868,19 MHz lime green colour



- 1x **5311L** VIX 53/2 R plug-in radio receiver



- 1x **152L** ZERO.L Flashing light, 230 Vac - 24 Vac/dc



- 1x **2127L** Warning plate

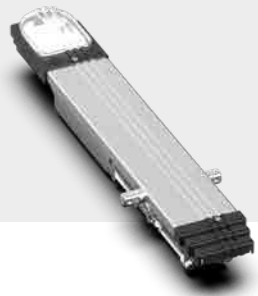
12 kits / pallet



# KIT **APROLI 480**

## **465K0VL** kit

for garage doors, up to 7 m<sup>2</sup> door surface



**1x 482L**  
230 Vac oil-hydraulic operator

**1x 510L**  
Cover complete with courtesy light



**1x 483L**  
Fixing hardware kit for one operator



**1x 243L**  
ELPRO 6 exp  
control unit



**1x 107L**  
TRIFO 11  
pair of photocells, surface mount



**1x 5313GL**  
VIX 53/4 TR  
4-channel transmitter, 868,19 MHz  
lime green colour



**1x 5311L**  
VIX 53/2 R  
plug-in radio receiver



**1x 4605L**  
BIRIO A8 rod aerial  
complete with support for wall fixing



**1x 2127L**  
Warning plate

**6 kits / pallet**





# COMPONENTS FOR GATES

## 2061L

Wheel ø 90 mm V groove with ball bearing and fixing bolt.  
For sliding gates



## 2064L

Wheel ø 120 mm V groove, with inner support. For sliding gates



## 2065L

Wheel ø 160 mm V groove with ball bearing and fixing bolt.  
For sliding gates



## 2066L

Wheel ø 200 mm V groove with ball bearing and fixing bolt.  
For sliding gates



## 2068L

Roller ø 25x32 mm.  
For sliding gates



## 2069L

Roller ø 40x44 mm.  
For sliding gates



## 2127L

Warning plate



## 7089L

Latch with sliding stop bolt.  
For swinging gates



## 7098L

V96 vertical electric lock, with rotating bolt and European cylinder, 12 Vac power supply.  
For swinging gates



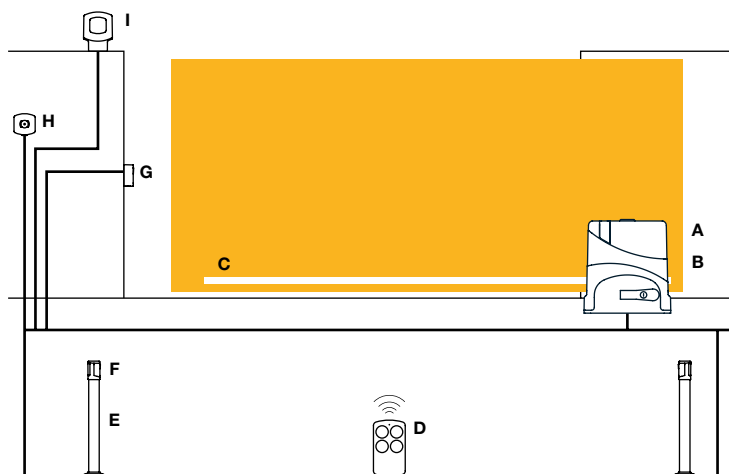
## 7099L

V90 horizontal electric lock, with rotating bolt and round cylinder, 12 Vac power supply.  
For swinging gates

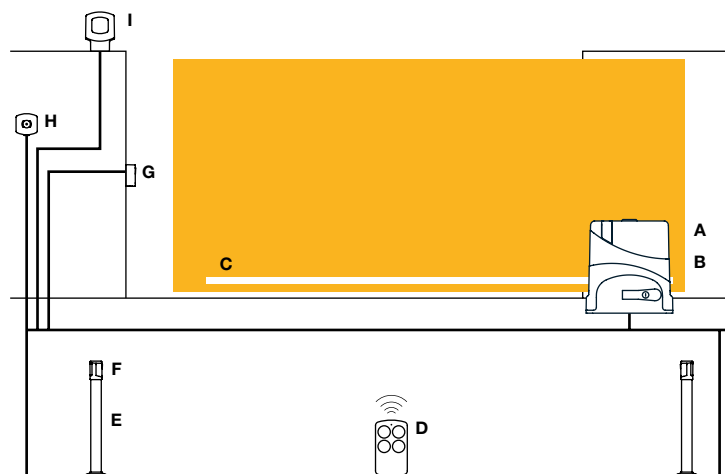




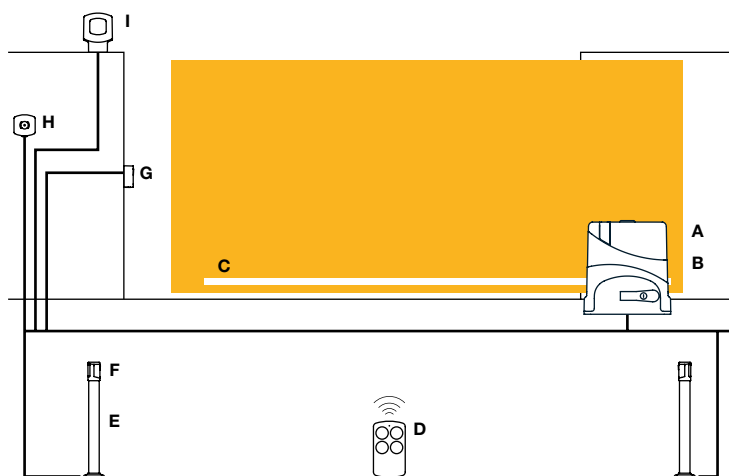
## FOR SLIDING GATES



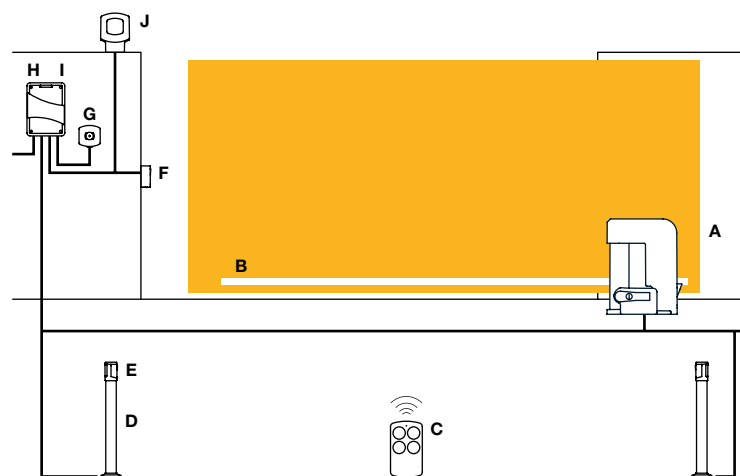
A - 1x 624L, B - 1x 5311L, C - 1x 2118L, D - 1x 5313GL, E - 1x 153L, F - 1x 141L, G - 1x 140L, H - 1x 142L, I - 1x 152L



A - 1x 633L, B - 1x 5311L, C - 1x 2118L, D - 1x 5313GL, E - 1x 153L, F - 1x 141L, G - 1x 140L, H - 1x 142L, I - 1x 152L

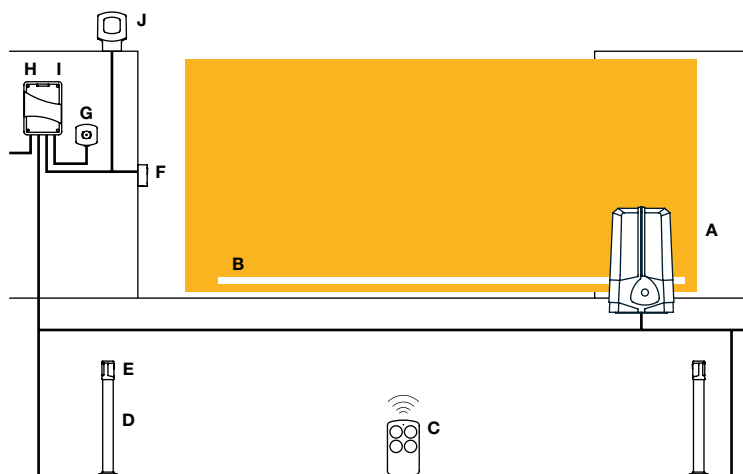


A - 1x 650L, B - 1x 5311L, C - 1x 2118L, D - 1x 5313GL, E - 1x 153L, F - 1x 141L, G - 1x 140L, H - 1x 142L, I - 1x 152L

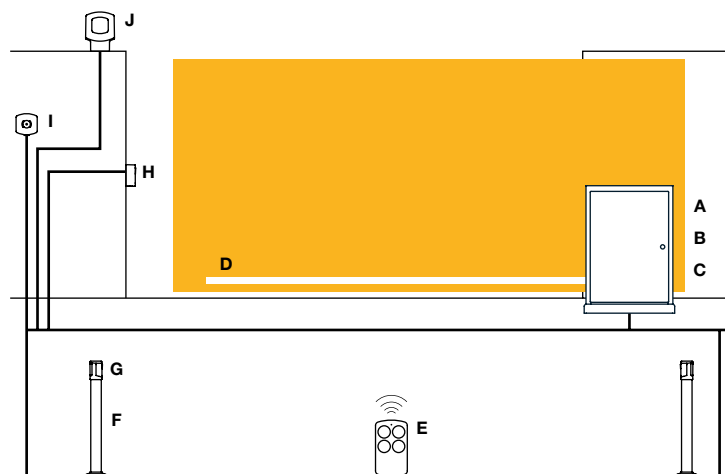


A - 1x 1117L, B - 1x 2118L, C - 1x 5313GL, D - 1x 153L, E - 1x 141L, F - 1x 140L, G - 1x 142L, H - 1x 7087L, I - 1x 1x 5311L, J - 1x 152L

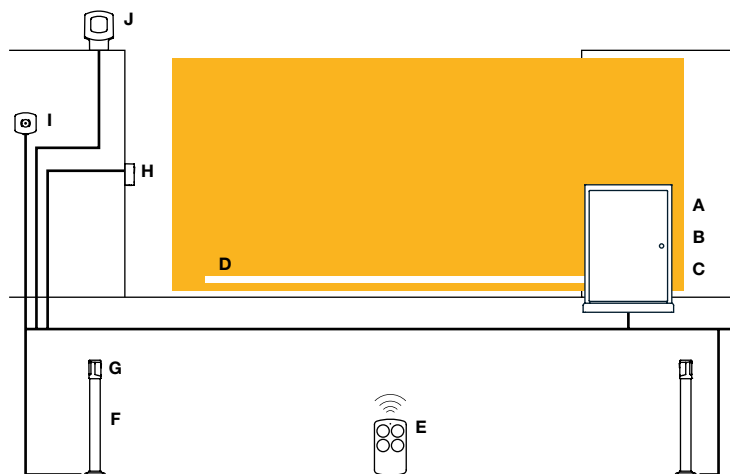
## FOR SLIDING GATES



A - 1x 212567L, B - 3x 2039L, C - 1x 5313GL, D - 1x 153L, E - 1x 141L, F - 1x 140L,  
G - 1x 142L, H - 1x 7087L, I - 1x 5311L, J - 1x 152L

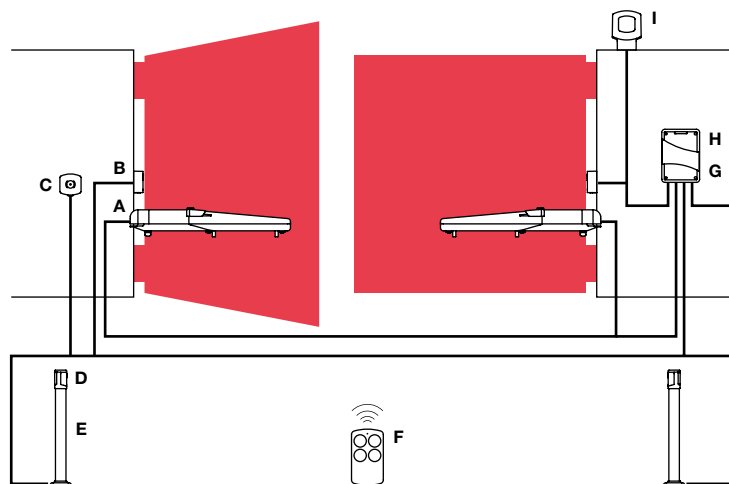


A - 1x 3002L, B - 1x 5311L, C - 1x 7185L, D - 10x 2039L, E - 1x 5313GL, F - 1x 155L,  
G - 1x 141L, H - 1x 140L, I - 1x 142L, J - 1x 152L

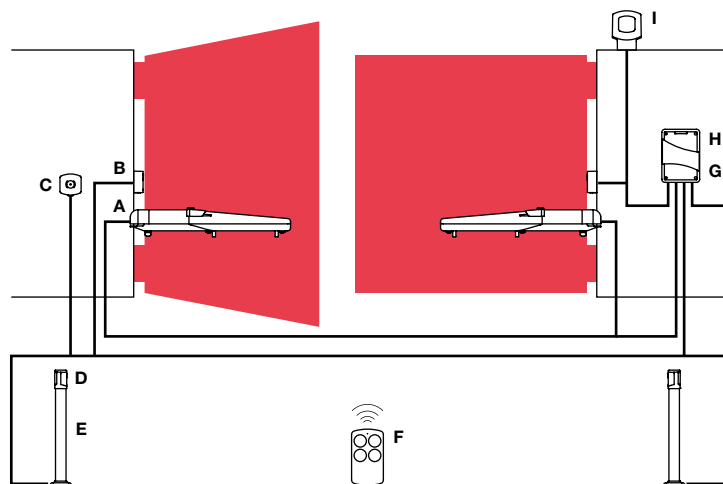


A - 1x 4002L, B - 1x 5311L, C - 1x 7185L, D - 10x 2039L, E - 1x 5313GL, F - 1x 155L,  
G - 1x 141L, H - 1x 140L, I - 1x 142L, J - 1x 152L

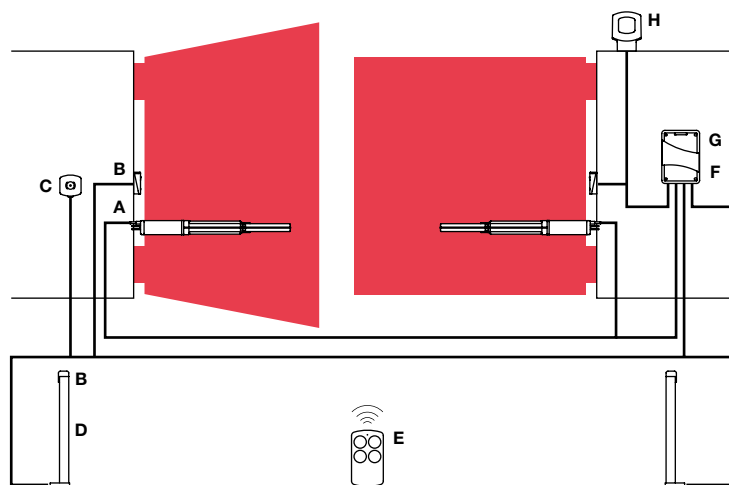
## FOR SWINGING GATES



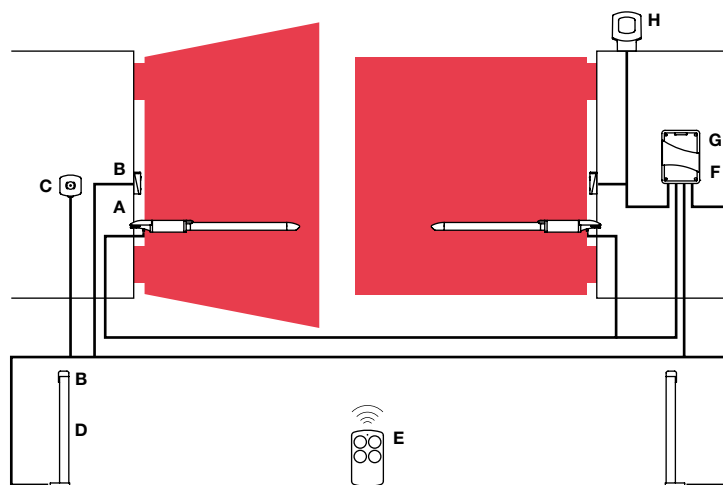
**A** - 2x 424L, **B** - 1x 140L, **C** - 1x 142L, **D** - 1x 141L, **E** - 1x 153L, **F** - 1x 5313GL,  
**G** - 1x 4200L, **H** - 1x 5311L, **I** - 1x 152L



**A** - 2x 430L, **B** - 1x 140L, **C** - 1x 142L, **D** - 1x 141L, **E** - 1x 153L, **F** - 1x 5313GL,  
**G** - 1x 4300L, **H** - 1x 5311L, **I** - 1x 152L



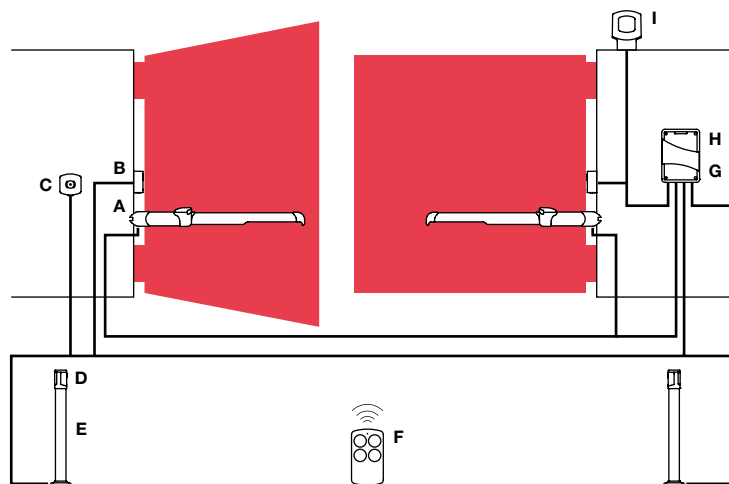
**A** - 2x 888L, **B** - 2x 107L, **C** - 1x 142L, **D** - 1x 108L, **E** - 1x 5313GL, **F** - 1x 7047L,  
**G** - 1x 5311L, **H** - 1x 152L



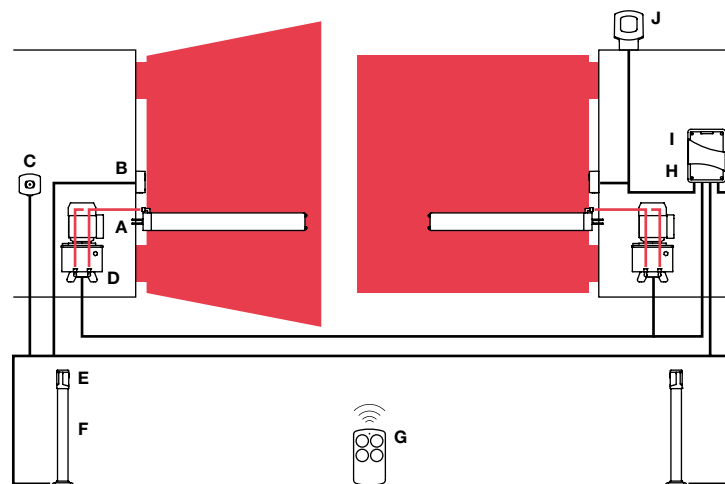
**A** - 2x 661L, **B** - 2x 107L, **C** - 1x 142L, **D** - 1x 108L, **E** - 1x 5313GL, **F** - 1x 6610L,  
**G** - 1x 5311L, **H** - 1x 152L



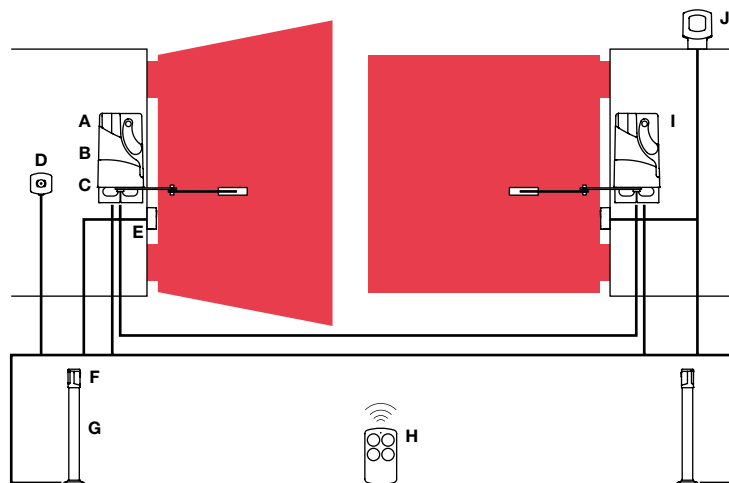
# FOR SWINGING GATES



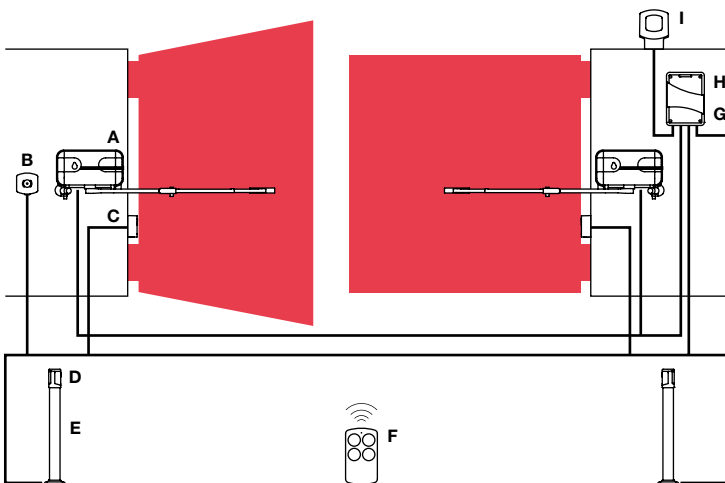
**A - 2x 880P5L, B - 1x 140L, C - 1x 142L, D - 1x 141L, E - 1x 155L, F - 1x 5313GL, G - 1x 7047L, H - 1x 5311L, I - 1x 152L**



**A - 2x 7012L, B - 1x 140L, C - 1x 142L, D - 2x 7022P6L, E - 1x 141L, F - 1x 156L, G - 1x 5313GL, H - 1x 7047L, I - 1x 5311L, J - 1x 152L**

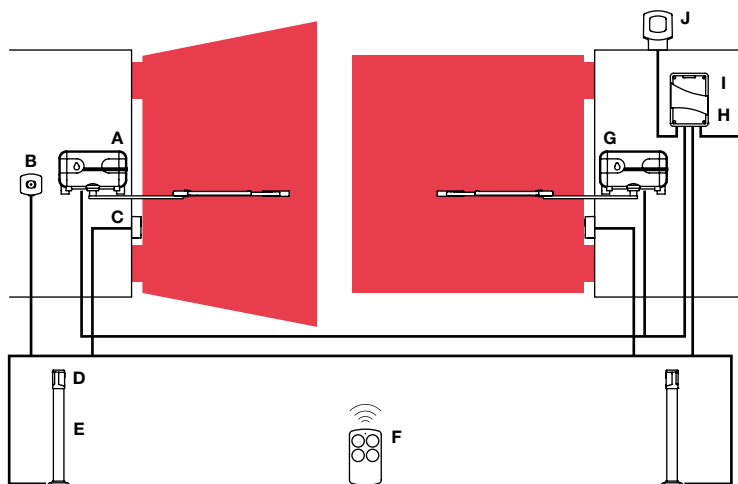


**A - 1x 351L, B - 1x 5311L, C - 2x 358L, D - 1x 142L, E - 1x 140L, F - 1x 141L, G - 1x 153L, H - 1x 5313GL, I - 1x 352L, J - 1x 152L**

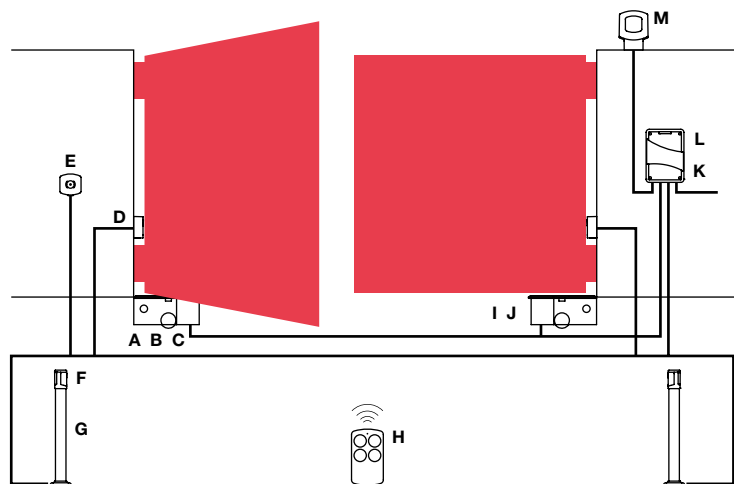


**A - 2x 281L, B - 1x 142L, C - 1x 140L, D - 1x 141L, E - 1x 153L, F - 1x 5313GL, G - 1x 7047L, H - 1x 5311L, I - 1x 152L**

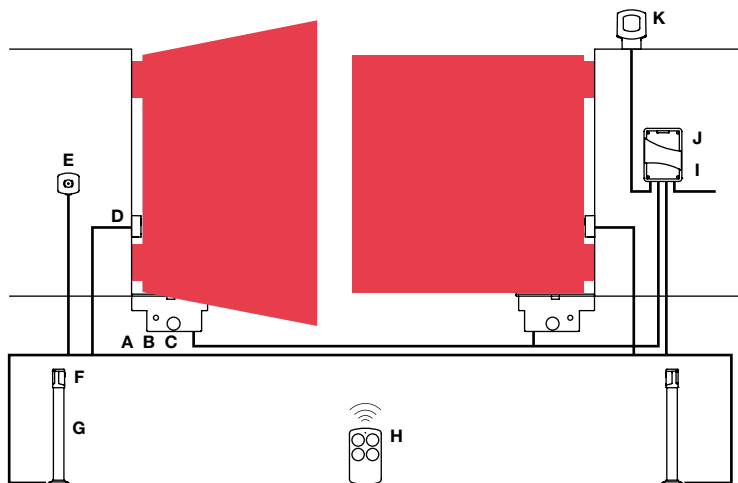
# FOR SWINGING GATES



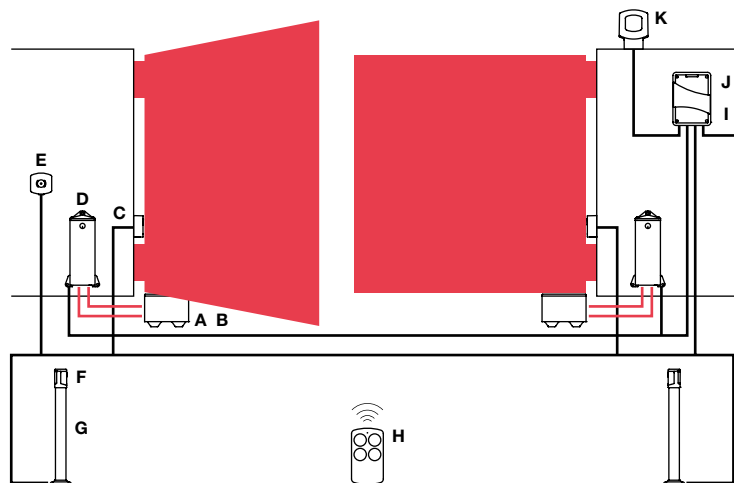
**A** - 1x 298SXL, **B** - 1x 142L, **C** - 1x 140L, **D** - 1x 141L, **E** - 1x 155L, **F** - 1x 5313GL,  
**G** - 1x 298DXL, **H** - 1x 7047L, **I** - 1x 5311L, **J** - 1x 152L



**A** - 1x 7677BB3SXL, **B** - 2x 745L, **C** - 1x 748SXL, **D** - 1x 140L, **E** - 1x 142L, **F** - 1x 141L,  
**G** - 1x 153L, **H** - 1x 5313GL, **I** - 1x 7677BB3DXL, **J** - 1x 748DXL, **K** - 1x 7047L,  
**L** - 1x 5311L, **M** - 1x 152L

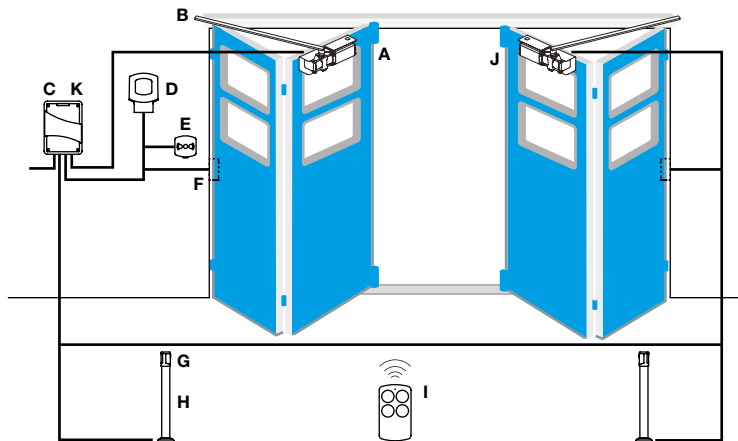


**A** - 2x 7877BB3L, **B** - 2x 7871L, **C** - 2x 7872L, **D** - 1x 140L, **E** - 1x 142L, **F** - 1x 141L,  
**G** - 1x 155L, **H** - 1x 5313GL, **I** - 1x 7047L, **J** - 1x 5311L, **K** - 1x 152L

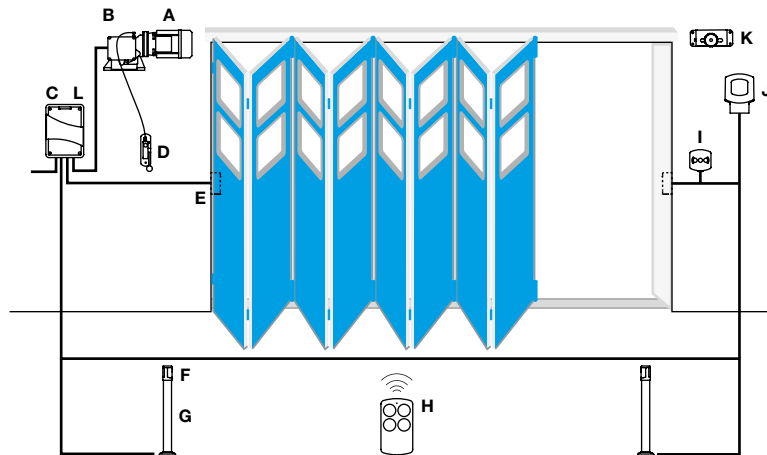


**A** - 2x 710L, **B** - 2x 7027L, **C** - 1x 140L, **D** - 2x 7021L, **E** - 1x 142L, **F** - 1x 141L,  
**G** - 1x 155L, **H** - 1x 5313GL, **I** - 1x 7047L, **J** - 1x 5311L, **K** - 1x 152L

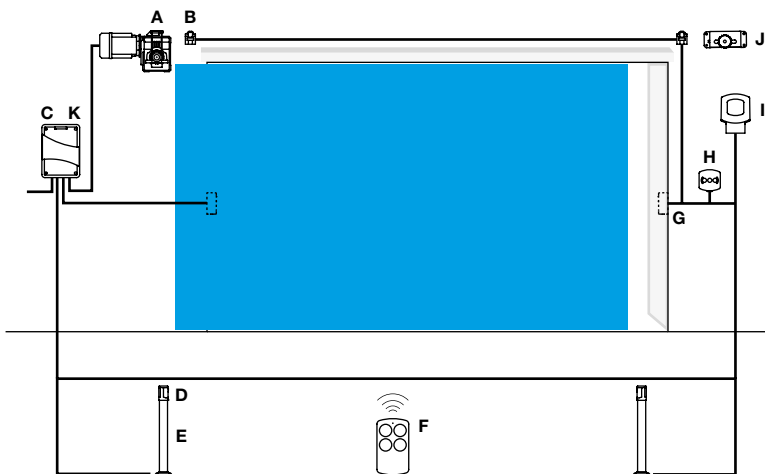
# FOR GARAGE AND INDUSTRIAL DOORS



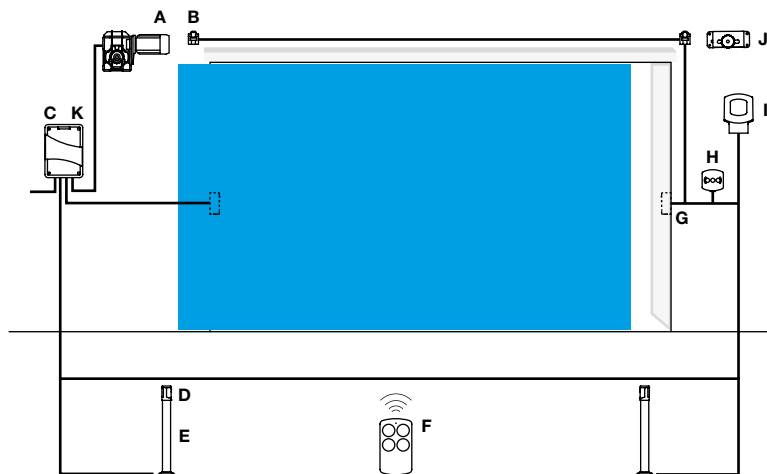
**A** - 1x 394DXL, **B** - 2x 396L, **C** - 1x 7047L, **D** - 1x 152L, **E** - 1x 150L, **F** - 1x 140L, **G** - 1x 141L, **H** - 1x 153L, **I** - 1x 5313GL, **J** - 1x 394SXL, **K** - 1x 5311L



**A** - 1x 2052L, **B** - 1x 2059L, **C** - 1x 7087L, **D** - 1x 2044L, **E** - 1x 140L, **F** - 1x 141L, **G** - 1x 153L, **H** - 1x 5313GL, **I** - 1x 150L, **J** - 1x 152L, **K** - 1x 2053L, **L** - 1x 5311L

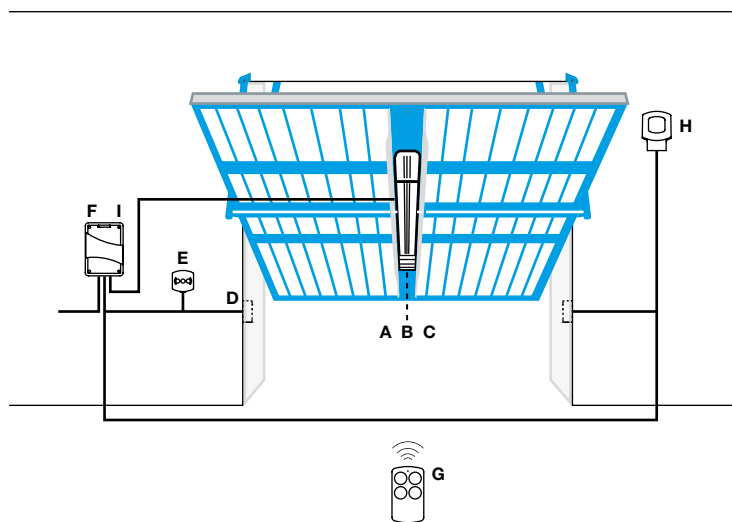


**A** - 1x 2220L, **B** - 1x 2057L, **C** - 1x 7185L, **D** - 1x 141L, **E** - 1x 153L, **F** - 1x 5313GL, **G** - 1x 140L, **H** - 1x 150L, **I** - 1x 152L, **J** - 1x 2053L, **K** - 1x 5311L



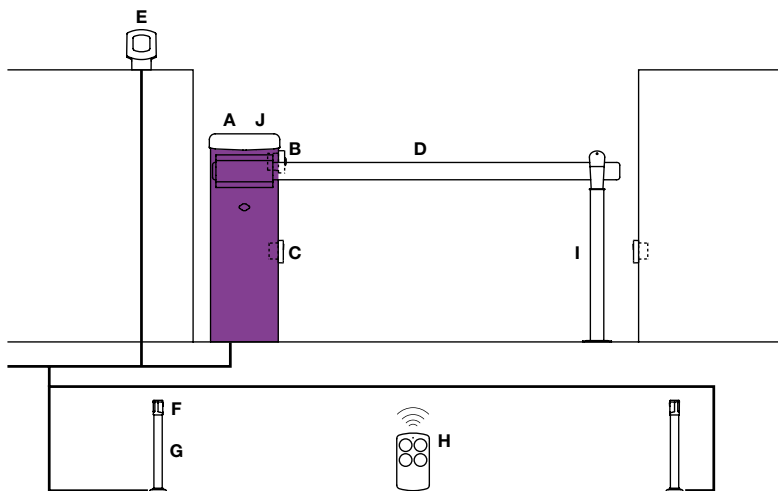
**A** - 1x 2223L, **B** - 1x 2057L, **C** - 1x 7185L, **D** - 1x 141L, **E** - 1x 155L, **F** - 1x 5313GL, **G** - 1x 140L, **H** - 1x 150L, **I** - 1x 152L, **J** - 1x 2053L, **K** - 1x 5311L

## FOR GARAGE AND INDUSTRIAL DOORS

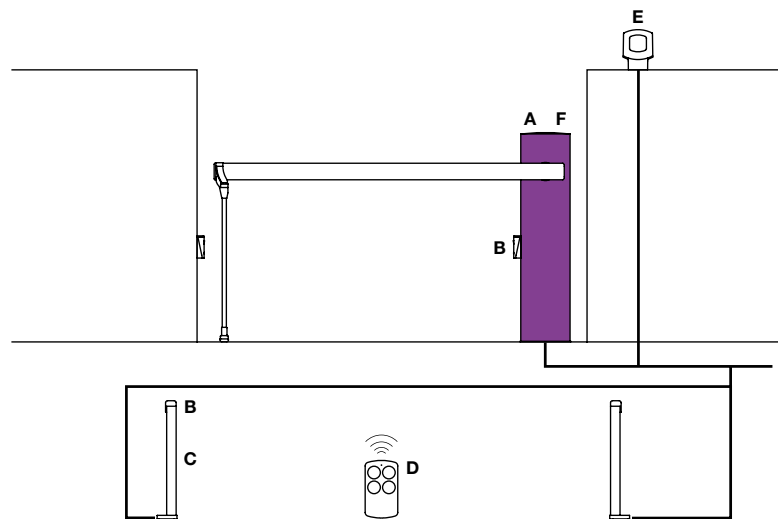


**A** - 1x 482L, **B** - 1x 483L, **C** - 1x 510L, **D** - 1x 140L, **E** - 1x 150L, **F** - 1x 243L,  
**G** - 1x 5313GL, **H** - 1x 152L, **I** - 1x 5311L

## FOR AUTOMATIC BARRIERS



**A** - 1x 9803SXL, **B** - 1x 143L, **C** - 1x 141L, **D** - 1x 1942L, **E** - 1x 152L, **F** - 1x 141L,  
**G** - 1x 153L, **H** - 1x 5313GL, **I** - 1x 9758L, **J** - 1x 5311L



**A** - 1x 1088DXL, **B** - 2x 107L, **C** - 1x 108L, **D** - 1x 5313GL, **E** - 1x 152L, **F** - 1x 5311L

## PROGRESSIVE INDEX OF CODES

CODE	PAGE	CODE	PAGE	CODE	PAGE
60L	87	204L	31	395L	75
107L	106	206L	33	396L	75
108L	106	207L	31	424L	41
109L	106	208L	31	430L	43
140L	110	211L	33	465K0VL	160
141L	110	212L	33	482L	81
142L	111	213L	33	483L	81
143L	111	215L	33	484L	81
144L	111	243L	140	486L	81
145L	111	244L	81	510L	81
146L	112	281L	59	511L	81
147L	112	282L	59	512L	81
148L	113	283L	59	513L	81
149L	113	285L	59	570L	108
150L	114	286L	59	612L	112
151L	114	287L	59	620L	130
152L	116	298DXL	61	624L	25
153L	115	298SXL	61	624K0VL	152
154L	115	299DXL	61	625K0VL	152
155L	115	299SXL	61	630L	130
156L	115	330L	107	632L	25
157L	115	331L	107	633L	27
160L	110	351L	57	633K0VL	153
161L	110	352L	57	634K0VL	153
162L	110	358L	57	650L	29
163L	111	359L	57	650K0VL	154
196L	33	360L	57	651K0VL	154
197L	33	378L	111	661L	47
198L	33	394DXL	75	671L	25
199L	33	394SXL	75	692L	113

CODE	PAGE
693L	113
694L	113
695L	113
696L	113
697L	113
701L	69
702L	69
705L	55
706L	25
707L	55
708L	45
710L	69
711L	69
712L	69
713L	69
745L	65
746DXL	65
746SXL	65
747L	65
748DXL	65
748SXL	65
761L	65
762L	65
767N3DXL	63
767N3SXL	63
769N3DXL	64
769N3SXL	64
787N3L	67
870P5L	49
880P3L	49

CODE	PAGE
880P5L	49
884P3L	49
887L	45
888L	45
889L	45
890P3L	49
890P5L	49
1088DXL	87
1088SXL	87
1089DXL	87
1089SXL	87
1093L	87
1094L	87
1095L	87
1096L	87
1097L	87
1098L	87
1099L	87
1113L	31
1114L	31
1116L	31
1117L	31
1121L	31
1122L	31
1269L	31
1271L	31
1913L	100
1933L	100
1936L	97
1937L	97

CODE	PAGE
1940L	97
1941L	97
1942L	97
1943L	97
1944L	97
1945L	100
1948L	100
1952L	98
1953L	98
1954L	98
1955L	98
1956L	98
1958L	98
1962L	98
1964L	33
1965L	98
1967L	98
1968L	98
1969L	98
1970L	98
1994L	33
2028L	117
2032L	99
2034L	117
2035L	117
2036L	77
2037L	99
2039L	31
2044L	77
2046L	77

CODE	PAGE
2049L	77
2050L	77
2051L	77
2052L	77
2053L	77
2054L	77
2055L	77
2056L	77
2057L	77
2058L	77
2059L	77
2061L	162
2064L	162
2065L	162
2066L	162
2068L	162
2069L	162
2076L	118
2077L	118
2079L	118
2097L	33
2098L	33
2114L	33
2118L	25
2127L	162
2154L	33
2220L	79
2223L	79
2431L	141
2569L	99

CODE	PAGE
2729L	143
2731L	143
2732L	143
2746L	143
3002L	35
3200L	119
3201L	119
3202L	119
3203L	119
3204L	119
3206L	119
3210L	119
3212L	119
3218L	119
3219L	119
3221L	119
3518L	135
3519L	135
3520K0VL	159
3521K0VL	159
4002L	35
4060L	123
4200L	136
4202L	136
4240K0VL	155
4241K0VL	155
4300L	137
4301K0VL	156
4302K0VL	156
4317L	121

CODE	PAGE
4327L	123
4329L	123
4330L	123
4332L	123
4605L	121
4607L	121
5023L	100
5310L	121
5311L	121
5313CL	121
5313GL	121
5313SL	121
5313YL	121
5314L	121
5315L	121
5316L	121
5801L	109
5802L	109
6610L	137
6660K0VL	158
6661K0VL	158
7012L	53
7013L	55
7014P6L	53
7014P12L	53
7016L	55
7018L	55
7019L	55
7021L	69
7022P6L	53

CODE	PAGE
7022P12L	53
7025L	55
7027L	69
7029L	69
7032L	69
7033L	65
7037L	53
7038L	55
7042L	139
7047L	138
7048L	138
7060L	132
7062L	143
7063L	131
7064L	131
7069L	31
7087L	132
7089L	162
7098L	162
7099L	162
7113CL	123
7113GL	123
7113SL	123
7113YL	123
7114L	53
7115L	53
7116L	53
7117L	53
7118L	53
7119L	53

CODE	PAGE
7154L	33
7155L	33
7180L	133
7183L	139
7184L	133
7185L	134
7230L	143
7231L	31
7271L	142
7282L	143
7283L	99
7677BB3DXL	63
7677BB3SXL	63
7678N3DXL	63
7678N3SXL	63
7679N3DXL	63
7679N3SXL	63
7697BB3DXL	64
7697BB3SXL	64
7698N3DXL	64
7698N3SXL	64
7699N3DXL	64
7699N3SXL	64
7809L	121
7871L	67
7872L	67
7873L	67
7877BB3L	67
7878N3L	67
7879N3L	67



CODE	PAGE
8310L	50
8311L	50
8312L	50
8619L	121
8820K0VL	157
8821K0VL	157
9321L	99
9730L	55
9752L	100
9755L	101
9756L	101
9757L	101
9758L	101
9759L	101
9767L	97
9801DXL	94
9801SXL	94
9802DXL	94
9802SXL	94
9803DXL	94
9803SXL	94
9804DXL	94
9804SXL	94
9805DXL	94
9805SXL	94
9811DXL	95
9811SXL	95
9812DXL	95
9812SXL	95
9813DXL	95

CODE	PAGE
9813SXL	95
9814DXL	95
9814SXL	95
9815DXL	95
9815SXL	95
9827L	99
9828L	99
9829L	99
9840L	100
9841DXL	96
9841SXL	96
9843DXL	96
9843SXL	96
9860L	101
9861L	97
9862L	97
9863L	97
9864L	97
9865L	97
9866L	97
9867L	97
9869L	101
9873L	100
9879DXL	101
9879SXL	101
9888L	100
9892DXL	96
9892SXL	96
9895DXL	96
9895SXL	96

CODE	PAGE
9897L	100
9899L	141
19767L	33
19867L	33
20514L	77
21267L	33
21367L	33
76778BB3DXL	63
76778BB3SXL	63
76779BB3DXL	63
76779BB3SXL	63
76789N3DXL	63
76789N3SXL	63
76978BB3DXL	64
76978BB3SXL	64
76979BB3DXL	64
76979BB3SXL	64
76989N3DXL	64
76989N3SXL	64
78778BB3L	67
78779BB3L	67
78789N3L	67
87084P5L	49
88084P3L	49
88084P5L	49
88484P3L	49
89084P3L	49
89084P5L	49
197567L	33
205148L	77

CODE	PAGE
205180L	77
205267L	77
205867L	77
212567L	33
701284L	53
701486P6L	53
701486P12L	53
702286P6L	53
702286P12L	53
703784L	53
711484L	53
711584L	53
711684L	53
711784L	53
711884L	53
711984L	53
767789BB3DXL	63
767789BB3SXL	63
769789BB3DXL	64
769789BB3SXL	64
787789BB3L	67
2052567L	77

## NOTES INDEX

[A]: The gate structure, size and possible strong winds may affect the values as indicated. Always make sure the gate is adequate to be automatically operated and remove any possible friction points.

[B]: It is possible to open or close the gate by hand in case of power failure; no need that release handle or release spanner be operated.

[C]: Inside the housing cover or casing.

[D]: Opening and closing times depend on the fixing distances, speed adjustment and gate inertia.

[E]: Without the mechanical stops it is possible to extend travel by 60 mm, but it is required that gate stops be fitted on to the ground both in open and closed gate positions.

[F]: -40 °C with specific optional accessories, see page 16.

[G]: The value indicated is an average time, it can change depending on external factors.

[H]: Oil-hydraulic actuator fitted with EVO valve assembly without chance of hydraulic locking configuration: the actuator is always reversible, non locking.

[I]: TR is the slowdown time, a value changing according to the adjustment made on the actuator.

[J]: For gate leaves wider than 5 m it is recommended that the gate structure be carefully assessed: gate post and rotation hinges must be adequate to support the gate weight and inertia during the complete cycles of opening and closing.

[K]: The installation distances for the special strokes are meant to make the most of the slowdown on opening and closing. For these actuators contact our technical office in advance and provide the structural dimensions of the gate to be automated.

[L]: The measurement can change according to the version.

[M]: For beams fitted with led lights, AL.FLEX 34 control is to be used, code no. 9840L.

[N]: Distance decreases by 30-50% approx. in case of fog, rain or dusts.

[O]: The transmission and receiving distance can be affected by external factors (eg. devices such as alarms, signal repeaters, etc.) using the same frequency. Meccanica Fadini cannot guarantee the actual distance range of one's own accessories in such cases.

A series of horizontal dotted lines for writing, consisting of 25 lines spaced evenly down the page.

**FADINI**<sup>®</sup> is also:

retractable oil-hydraulic  
**AUTOMATIC BOLLARDS**



## **SEMIAUTOMATIC BOLLARDS**



## REMOVABLE BOLLARDS



## FIXED BOLLARDS



Concept  
Halfduck

Photos and Graphics  
Bronwenir

Technical Design  
Little Togno

Auditor  
Mediator

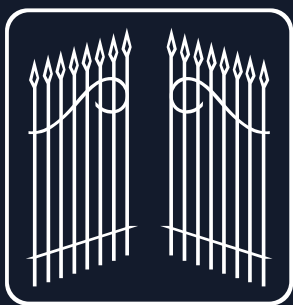


The catalogue includes texts and technical data updated to the date of publication. The data contained in this catalogue replace in full all the technical or commercial documents existing before this issue.

To achieve an installation in compliance with the applicable norms, it is recommended that the indicated code numbers be properly referred to and that original accessories by Meccanica Fadini be used. It is also advisable that the technical literature of the required products be consulted for a correct installation.

The images in this catalogue are merely indicative. All the data have been accurately verified and controlled. Meccanica Fadini reserves the right to change the products and this catalogue any time and in any way as necessary without previous notice. No responsibility is taken over for possible errors and/or omissions.





**FADINI**®  
l'apricancello



MECCANICA FADINI s.n.c.  
Via Mantova 177/A  
37053 Cerea VR Italy  
Ph. +39 0442 330422  
Fax +39 0442 331054  
info@fadini.net  
www.fadini.net

