

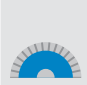




DFS60 Incremental Encoders

High-resolution, programmable encoder for sophisticated applications

High-resolution, programmable encoder for sophisticated applications



UL certification not valid for all types. See order information

Additional information

Detailed technical data 3

Maximum revolution range..... 6

Ordering information..... 7

Dimensional drawings 14

PIN and core assignment 22

Interfaces..... 23

Accessories 25

Product description

The DFS60 is a high-resolution incremental encoder with a diameter of 60 mm. It offers a wide variety of customer-specific mechanical and electric adjustments. Programming of the output signal, zero pulse and resolution of up to 65,356

pulses is a unique feature for the market. The high enclosure rating, wide temperature range and large ball bearing distance make the DFS60 the ideal encoder for industrial applications in harsh environments.

At a glance

- Compact installation depth
- High resolution up to 16 bits
- Optionally programmable: Output voltage, zero pulse position, zero pulse width and number of pulses
- Connection: Radial or axial cable outlet, M23 or M12 connector, axial or radial
- Electrical interfaces: 5 V & 24 V TTL/RS-422, 24 V HTL/push pull
- Mechanical interfaces: face mount or servo flange, blind or through hollow shaft
- Remote 0-SET possible

Your benefit

- Reduced storage costs and downtime due to customer-specific programming
- Variety of different mechanical and electrical interfaces enable the encoder to be optimally adjusted to fit the installation situation
- Excellent concentricity even at high speeds
- High resolution of up to 16 bits ensures precise measurements
- Permanent and safe operation due to a high enclosure rating, temperature resistance and a long bearing lifetime
- Programmability via the PGT-08 programming software and the PGT-10-S display programming tool allow the encoder to be adapted flexibly and quickly according to customer needs
- Programmable zero pulse position simplifies installation

→ www.mysick.com/en/DFS60

For more information, just enter the link or scan the QR code and get direct access to technical data, CAD design models, operating instructions, software, application examples and much more.



Detailed technical data

Performance

	E	B	A
Pulses per revolution ^{1), 2)}	100 ... 2048 ²⁾	1 ... 10000 ²⁾	1 ... 65536 ²⁾
Pulses per revolution at SIN/COS 1.0 V_{pp} interface	–	1024	–
Measuring step	90° electrical / pulses		
Reference signal			
Number	1		
Position	90° electr., logic operation with A and B/sine and cosine		
Error limits	± 0.3°	± 0.05°	± 0.03°
Measuring step deviation			
Pulses 1 ... 99	–	± 0.08°	± 0.04°
Pulses 100 ... 10000	± 0.2°	± 0.01°	± 0.008°
Pulses > 10000	–	–	± 0.002°

¹⁾ See maximum revolution range on page 6.

²⁾ Detailed list of pulses per revolution on page 13.

Mechanical data

Shaft diameter		
Face mount flange	10 x 19 mm	
Servo flange	6 x 10 mm	
Blind hollow shaft, through hollow shaft	6, 8, 10, 12, 14, 15 mm and 3/8", 1/2", 5/8"	
Material shaft	Stainless steel	
Material flange	Aluminium	
Material housing	Aluminium	
Mass ¹⁾		
Face mount flange, servo flange	0.3 kg ¹⁾	
Blind hollow shaft, through hollow shaft	0.2 kg ¹⁾	
Start-up torque at 20 °C		
Face mount flange, servo flange	0.5 Ncm	
Blind hollow shaft, through hollow shaft	0.8 Ncm	
Operating torque at 20 °C		
Face mount flange, servo flange	0.3 Ncm	
Blind hollow shaft, through hollow shaft	0.6 Ncm	
Permissible shaft loading		
Face mount flange, servo flange	80 N radial 40 N axial	
Permissible shaft movement of the drive element static/dynamic		
Blind hollow shaft, through hollow shaft	±0.3 / ±0.1 mm radial ±0.5 / ±0.2 mm axial	±0.3 / ±0.05 mm radial ±0.5 / ±0.1 mm axial
Angular acceleration	5 x 10 ⁵ rad/s ²	
Operating speed ²⁾		
Face mount flange, servo flange	9000 min ⁻¹	
Blind hollow shaft	6000 min ⁻¹	
Through hollow shaft	9000 min ⁻¹	

¹⁾ Based on encoders with a connector outlet.

²⁾ Self warming 3.3 k/1,000 min⁻¹, when applying note working temperature range.

	E	B	A
Rotor moment of inertia			
Face mount flange, servo flange	6.2 gcm ²		
Blind hollow shaft, through hollow shaft	40 gcm ²		
Bearing lifetime	3,6 x 10 ¹⁰ revolutions		

¹⁾ Based on encoders with a connector outlet.

²⁾ Self warming 3.3 k/1,000 min⁻¹, when applying note working temperature range.

Electrical data

Electrical interfaces	4.5 ... 5.5 V, TTL/RS422		
	10 ... 32 V, TTL/RS422		
	10 ... 32 V, HTL/push pull		
	-	4.5 V ... 5.5 V, Sin/Cos 1.0 V _{pp}	-
	-	4.5 ... 5.5 V, TTL/RS422, with 0-set function on the M23 connector	
	-	10 ... 32 V, TTL/RS422, with 0-set function on the M23 connector	
	-	10 ... 32 V, HTL/push pull, with 0-set function on the M23 connector	
	-	4.5 ... 32 V, TTL/HTL programmable ¹⁾	
	-	4.5 ... 32 V, TTL or HTL programmable with 0-set function on the M23 connector ^{1), 2)}	
Initialization time after Power On			
4.5 ... 5.5 V, TTL/RS422	40 ms		
10 ... 32 V, TTL/RS422	40 ms		
10 ... 32 V, HTL/push pull	40 ms		
4.5 V...5.5 V, Sin/Cos 1.0 V _{pp}	-	40 ms	-
4.5 ... 5.5 V, TTL/RS422, 0-SET	-	Max. 30 ms	
10 ... 32 V, TTL/RS422, 0-SET	-	Max. 30 ms	
10 ... 32 V, HTL/push pull, 0-SET	-	Max. 30 ms	
4.5 ... 32 V, TTL/HTL programmable	-	Max. 30 ms/max. 32 ms with mechanical zero pulse width	
4.5 ... 32 V, TTL/HTL programmable, 0-SET	-	Max. 30 ms/max. 32 ms with mechanical zero pulse width	
0-SET function ²⁾	-	H - active; (L = 0 ... 3 V, H = 4 ... U _S V)	
Load current			
4.5 ... 5.5 V, TTL/RS422	30 mA		
10 ... 32 V, TTL/RS422	30 mA		
10 ... 32 V, HTL/push pull	30 mA		
4.5 ... 5.5 V, TTL/RS422, 0-SET	-	30 mA	
10 ... 32 V, TTL/RS422, 0-SET	-	30 mA	
10 ... 32 V, HTL/push pull, 0-SET	-	30 mA	
4.5 ... 32 V, TTL/HTL pro programmable	-	30 mA	
4.5 ... 32 V, TTL/HTL programmable, 0-SET	-	30 mA	

¹⁾ Factory settings: Output level TTL.

²⁾ Only with devices with M23 connector outlet in connection with the electrical interfaces M, U, V and W.

³⁾ Short-circuit opposite to another channel, US or GND permissible for max. 30 s.

⁴⁾ Short-circuit opposite to another channel, or GND permissible for max. 30 s.

⁵⁾ This product is a standard product and does not constitute a safety component as defined in the Machinery Directive. Calculation based on nominal load of components, average ambient temperature 40 °C, frequency of use 8760 h/a. All electronic failures are considered hazardous. For more information, see document no. 8015532.

	E	B	A
Load resistance			
4.5 V...5.5 V, Sin/Cos 1.0 V _{pp}	-	Min. 120 Ω	-
Operating current with no load			
4.5 ... 5.5 V, TTL/RS422	40 mA		
4.5 V...5.5 V, Sin/Cos 1.0 V _{pp}	-	40 mA	-
Power consumption with no load			
10 ... 32 V, TTL/RS422	0.5 W		
10 ... 32 V, HTL/push pull	0.5 W		
4.5 ... 5.5 V, TTL/RS422, 0-SET	-	0.7 W	
10 ... 32 V, TTL/RS422, 0-SET	-	0.7 W	
10 ... 32 V, HTL/push pull, 0-SET	-	0.7 W	
4.5 ... 32 V, TTL/HTL pro programmable	-	0.7 W	
4.5 ... 32 V, TTL/HTL programmable, 0-SET	-	0.7 W	
Reverse polarity protection			
4.5 ... 5.5 V, TTL/RS422	No		
10 ... 32 V, TTL/RS422	Yes		
10 ... 32 V, HTL/push pull	Yes		
4.5 V...5.5 V, Sin/Cos 1.0 V _{pp}	-		
4.5 ... 5.5 V, TTL/RS422, 0-SET	-	Yes	
10 ... 32 V, TTL/RS422, 0-SET	-	Yes	
10 ... 32 V, HTL/push pull, 0-SET	-	Yes	
4.5 ... 32 V, TTL/HTL programmable	-	Yes	
4.5 ... 32 V, TTL/HTL programmable, 0-SET	-	Yes	
Short-circuit protection of the outputs			
4.5 ... 5.5 V, TTL/RS422	Yes ³⁾		
10 ... 32 V, TTL/RS422	Yes ⁴⁾		
10 ... 32 V, HTL/push pull	Yes ³⁾		
4.5 V...5.5 V, Sin/Cos 1.0 V _{pp}	-	Yes ³⁾	-
4.5 ... 5.5 V, TTL/RS422, 0-SET	-	Yes ³⁾	
10 ... 32 V, TTL/RS422, 0-SET	-	Yes ⁴⁾	
10 ... 32 V, HTL/push pull, 0-SET	-	Yes ³⁾	
4.5 ... 32 V, TTL/HTL programmable	-	Yes, HTL ³⁾ and TTL ⁴⁾	
4.5 ... 32 V, TTL/HTL programmable, 0-SET	-	Yes, HTL ³⁾ and TTL ⁴⁾	
MTTFd: mean time to dangerous failure ⁵⁾	300 years (EN ISO 13849-1)		

¹⁾ Factory settings: Output level TTL.

²⁾ Only with devices with M23 connector outlet in connection with the electrical interfaces M, U, V and W.

³⁾ Short-circuit opposite to another channel, US or GND permissible for max. 30 s.

⁴⁾ Short-circuit opposite to another channel, or GND permissible for max. 30 s.

⁵⁾ This product is a standard product and does not constitute a safety component as defined in the Machinery Directive. Calculation based on nominal load of components, average ambient temperature 40 °C, frequency of use 8760 h/a. All electronic failures are considered hazardous. For more information, see document no. 8015532.

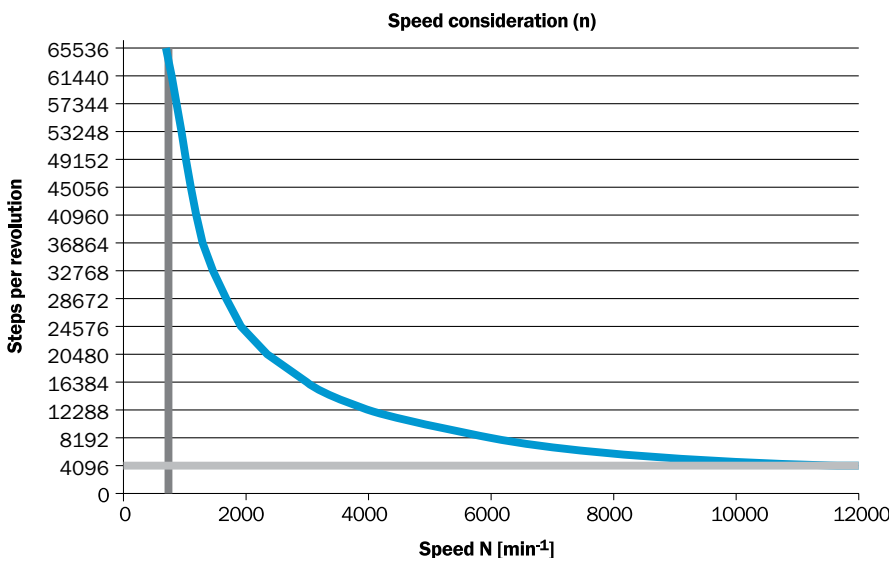
Ambient data

	E	B	A
EMC ¹⁾	As per EN 61000-6-2 and EN 61000-6-3		
Enclosure rating as per IEC 60529			
On the shaft	IP 65		
On the housing, connector outlet ²⁾	IP 67 (through hollow shaft IP 65)		
On the housing, cable outlet	IP 67 (through hollow shaft IP 65)		
Permissible relative air humidity	90 % condensation on the optical scanner not permissible		
Working temperature range	0 ... +85 °C	-30 ... +100 °C	
Storage temperature range (without packaging)	-40 ... +100 °C		
Resistance			
To shocks as per EN 60068-2-27	50 g/6 ms	70 g/6 ms	60 g/6 ms
To vibration as per EN 60068-2-6	20 g/ 10 ... 2,000 Hz	30 g/ 10 ... 2,000 Hz	20 g/ 10 ... 2,000 Hz

¹⁾ For the interfaces 10 ... 32 V, TTL/RS422 and 10 ... 32 V, HTL/push pull as per EN 61000-6-2 and EN 61000-6-4, devices of class A.

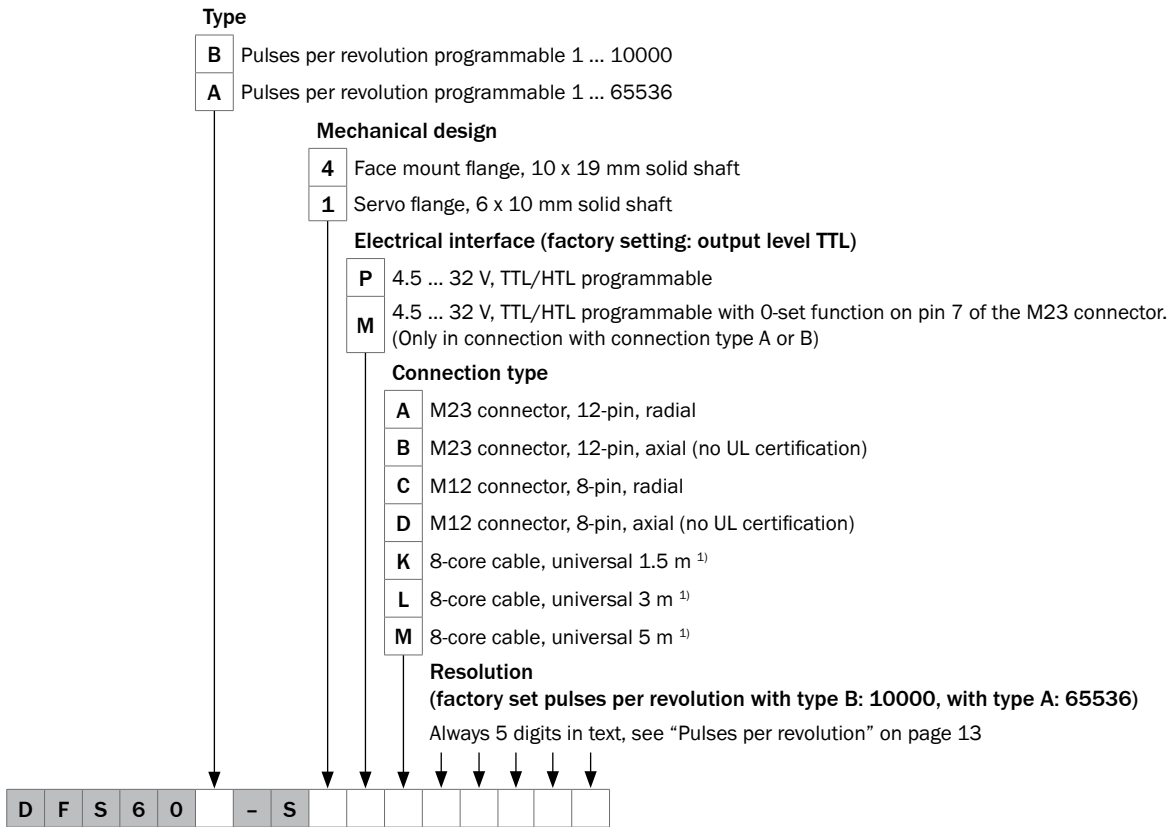
²⁾ When the mating connector is fitted.

Maximum revolution range



Ordering information

Type code for face mount flange and servo flange, programmable

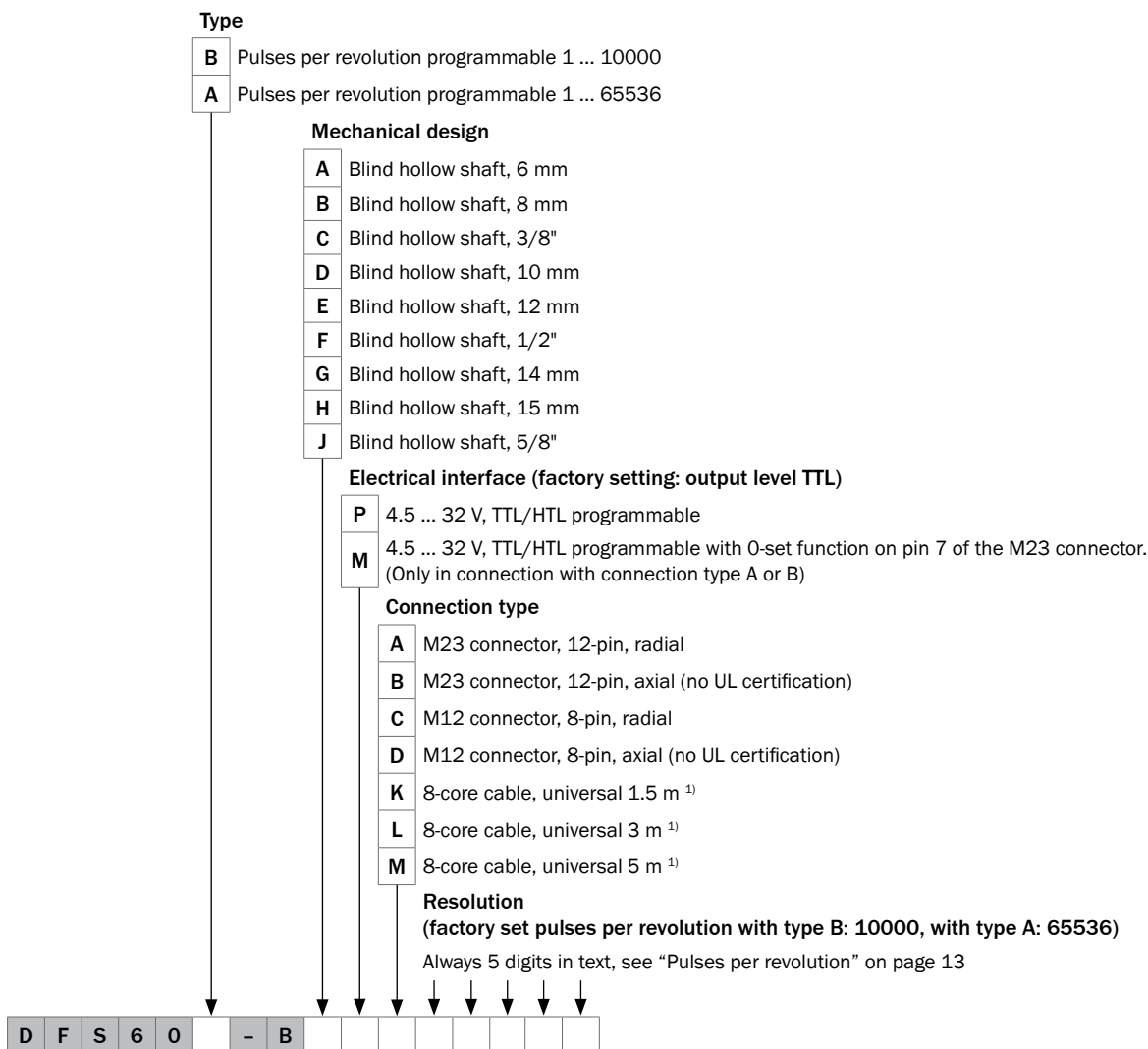


¹⁾ The universal cable outlet is positioned in such a way that kink-free laying in radial or axial direction is possible.

The following features can be programmed:

- Pulses per revolution from 1 ... 65536 using programming tools PGT-08-S or PGT-10-S (see accessories on page 25).
- Zero pulse width electrically 90°, 180°, 270° using programming tools PGT-08-S or PGT-10-S (see accessories on page 25).
- Zero pulse width mechanically 1° ... 359° using programming tool PGT-10-S (see accessories on page 25).
- Level of the output voltage TTL/HTL using programming tools PGT-08-S or PGT-10-S (see accessories on page 25).
- 0-SET function using programming tools PGT-08-S or PGT-10-S (see accessories on page 25).
- 0-SET function via PIN 7 of the M23 connector by applying U_s for at least 250 ms.

Type code for blind hollow shaft, programmable

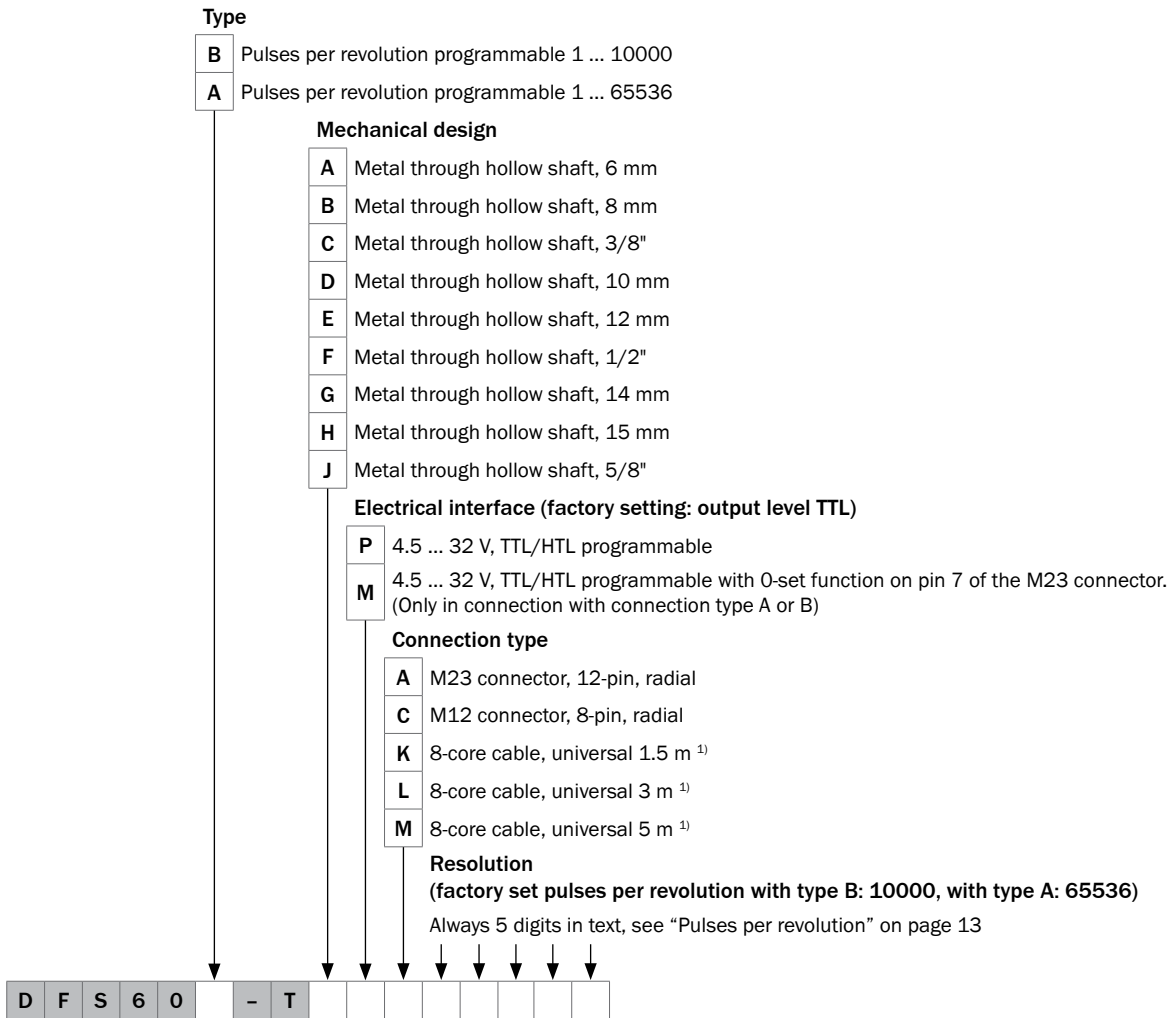


¹⁾ The universal cable outlet is positioned in such a way that kink-free laying in radial or axial direction is possible.

The following features can be programmed:

- Pulses per revolution from 1 ... 65536 using programming tools PGT-08-S or PGT-10-S (see accessories on page 25).
- Zero pulse width electrically 90°, 180°, 270° using programming tools PGT-08-S or PGT-10-S (see accessories on page 25).
- Zero pulse width mechanically 1° ... 359° using programming tool PGT-10-S (see accessories on page 25).
- Level of the output voltage TTL/HTL using programming tools PGT-08-S or PGT-10-S (see accessories on page 25).
- 0-SET function using programming tools PGT-08-S or PGT-10-S (see accessories on page 25).
- 0-SET function via PIN 7 of the M23 connector by applying U_s for at least 250 ms.

Type code for through hollow shaft, **programmable**

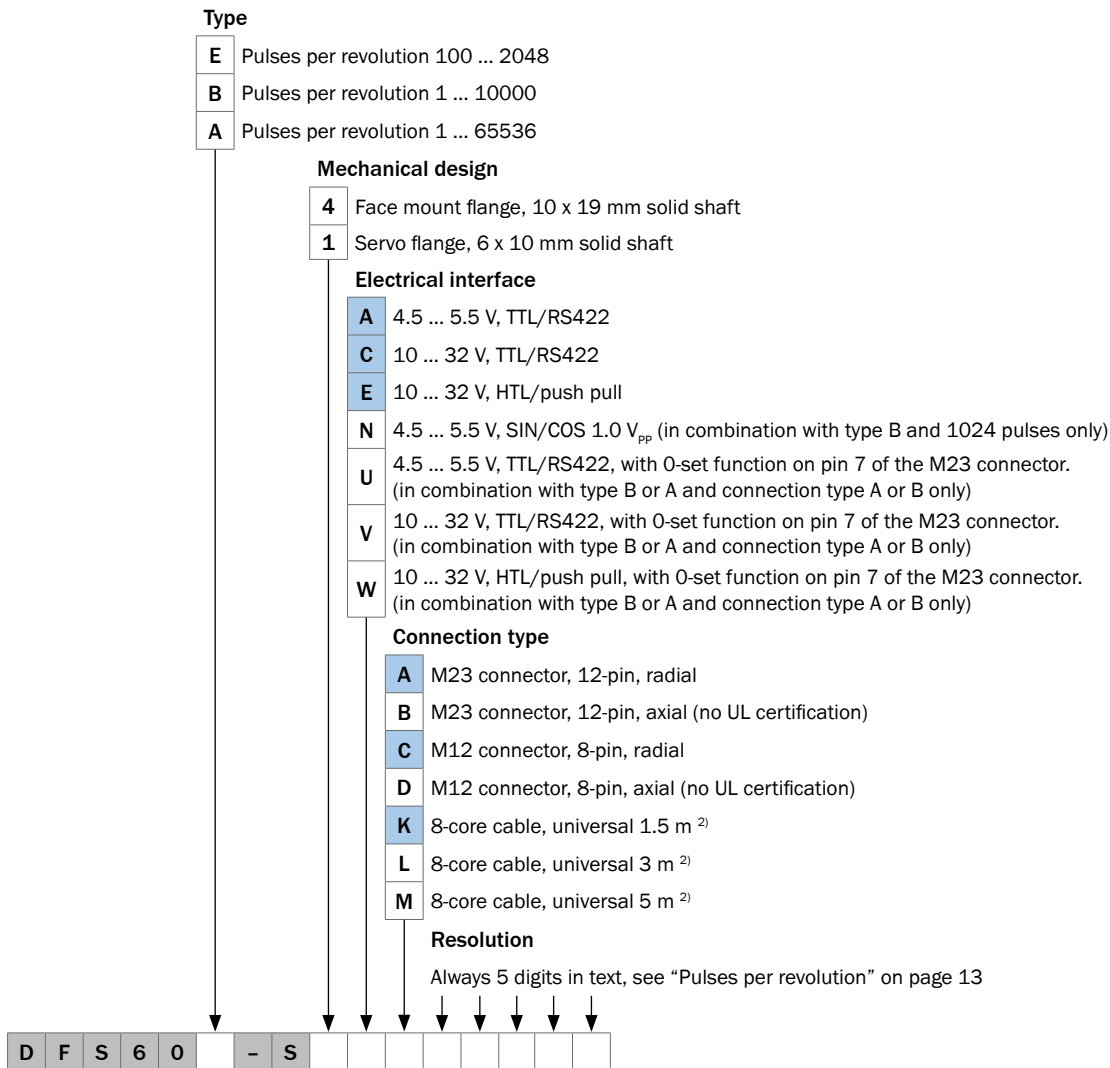


¹⁾ The universal cable outlet is positioned in such a way that kink-free laying in radial or axial direction is possible.

The following features can be programmed:

- Pulses per revolution from 1 ... 65536 using programming tools PGT-08-S or PGT-10-S (see accessories on page 25).
- Zero pulse width electrically 90°, 180°, 270° using programming tools PGT-08-S or PGT-10-S (see accessories on page 25).
- Zero pulse width mechanically 1° ... 359° using programming tool PGT-10-S (see accessories on page 25).
- Level of the output voltage TTL/HTL using programming tools PGT-08-S or PGT-10-S (see accessories on page 25).
- 0-SET function using programming tools PGT-08-S or PGT-10-S (see accessories on page 25).
- 0-SET function via PIN 7 of the M23 connector by applying U_s for at least 250 ms.

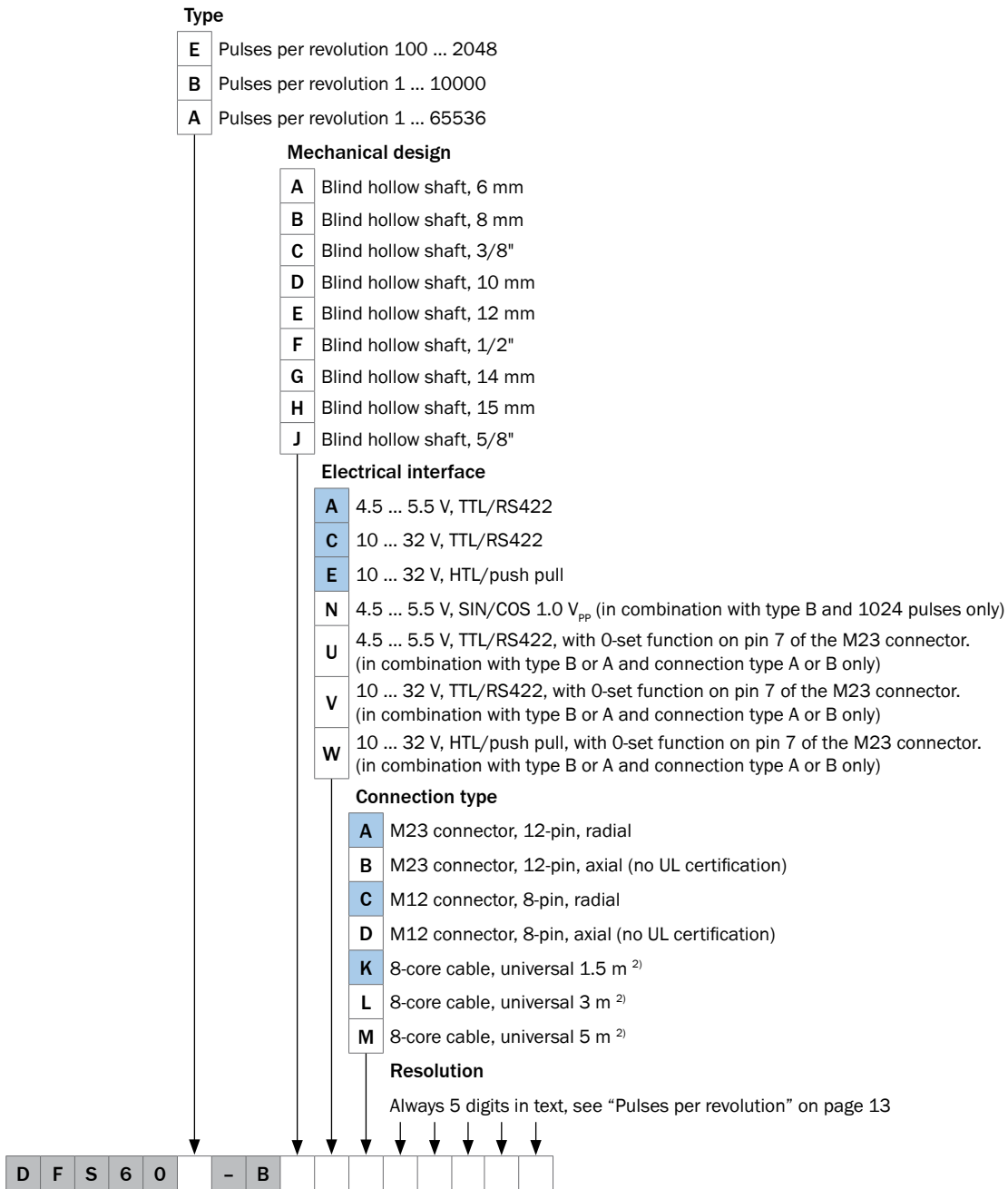
Type code for face mount flange and servo flange (highlighted in blue – standard types ¹⁾), not programmable



¹⁾ The properties in the type code in blue and of the table "Pulses per revolution" are preferred types. Encoder versions compiled exclusively from preferred features are available in limited quantities from the warehouse with no minimum order quantity. They are therefore ideal for fast delivery worldwide.

²⁾ The universal cable outlet is positioned in such a way that kink-free laying in radial or axial direction is possible.

Type code for blind hollow shaft (highlighted in blue – standard types ¹⁾), **not programmable**



¹⁾ The properties in the type code in blue and of the table "Pulses per revolution" are preferred types. Encoder versions compiled exclusively from preferred features are available in limited quantities from the warehouse with no minimum order quantity. They are therefore ideal for fast delivery worldwide.

²⁾ The universal cable outlet is positioned in such a way that kink-free laying in radial or axial direction is possible.

Type code for through hollow shaft (highlighted in blue – standard types ¹⁾), **not programmable**

Type

E	Pulses per revolution 100 ... 2048
B	Pulses per revolution 1 ... 10000
A	Pulses per revolution 1 ... 65536

Mechanical design

A	Metal through hollow shaft, 6 mm
B	Metal through hollow shaft, 8 mm
C	Metal through hollow shaft, 3/8"
D	Metal through hollow shaft, 10 mm
E	Metal through hollow shaft, 12 mm
F	Metal through hollow shaft, 1/2"
G	Metal through hollow shaft, 14 mm
H	Metal through hollow shaft, 15 mm
J	Metal through hollow shaft, 5/8"

Electrical interface

A	4.5 ... 5.5 V, TTL/RS422
C	10 ... 32 V, TTL/RS422
E	10 ... 32 V, HTL/push pull
N	4.5 ... 5.5 V, SIN/COS 1.0 V _{pp} (in combination with type B and 1024 pulses only)
U	4.5 ... 5.5 V, TTL/RS422, with 0-set function on pin 7 of the M23 connector. (in combination with type B or A and connection type A or B only)
V	10 ... 32 V, TTL/RS422, with 0-set function on pin 7 of the M23 connector. (in combination with type B or A and connection type A or B only)
W	10 ... 32 V, HTL/push pull, with 0-set function on pin 7 of the M23 connector. (in combination with type B or A and connection type A or B only)

Connection type

A	M23 connector, 12-pin, radial
C	M12 connector, 8-pin, radial
K	8-core cable, universal 1.5 m ²⁾
L	8-core cable, universal 3 m ²⁾
M	8-core cable, universal 5 m ²⁾

Resolution

Always 5 digits in text, see "Pulses per revolution" on page 13



¹⁾ The properties in the type code in blue and of the table "Pulses per revolution" are preferred types. Encoder versions compiled exclusively from preferred features are available in limited quantities from the warehouse with no minimum order quantity. They are therefore ideal for fast delivery worldwide.

²⁾ The universal cable outlet is positioned in such a way that kink-free laying in radial or axial direction is possible.

Pulses per revolution (highlighted in blue – standard types ¹⁾)

	E	B	A
Pulses per revolution ²⁾	00100	00100	00100
	00200	00200	00200
	00250	00250	00250
	00256	00300	00300
	00314	00314	00314
	00360	00360	00360
	00500	00500	00500
	00512	00512	00512
	00720	00720	00720
	01000	01000	01000
	01024	01024	01024
	01250	01250	01250
	02000	02000	02000
	02048	02048	02048
		02500	02500
		03600	03600
		04000	04000
		04096	04096
		05000	05000
		07200	07200
		08192	08192
		10000	10000
			16384
			32768
		65536	

Others on request

Others on request

¹⁾ The properties in the type code in blue and of the table “Pulses per revolution” are preferred types. Encoder versions compiled exclusively from preferred features are available in limited quantities from the warehouse with no minimum order quantity. They are therefore ideal for fast delivery worldwide.

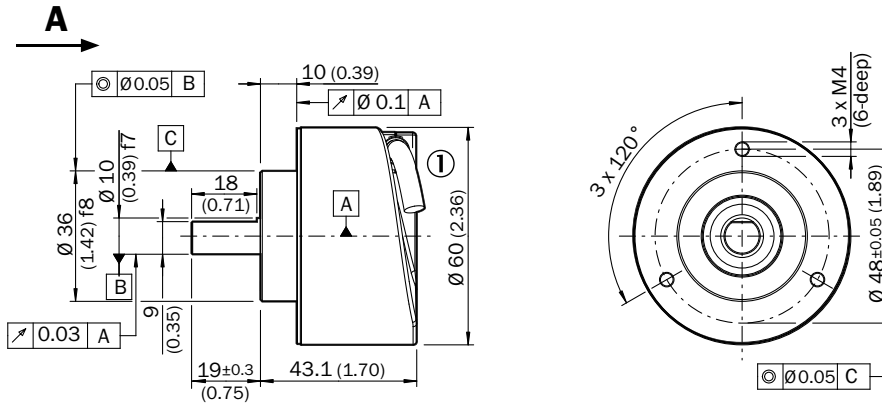
²⁾ The electrical interface N (Sin/Cox 1.0 V_{pp}) can only be ordered with 1024 pulses per revolution.

Dimensional drawings

dimensions in mm (inch)

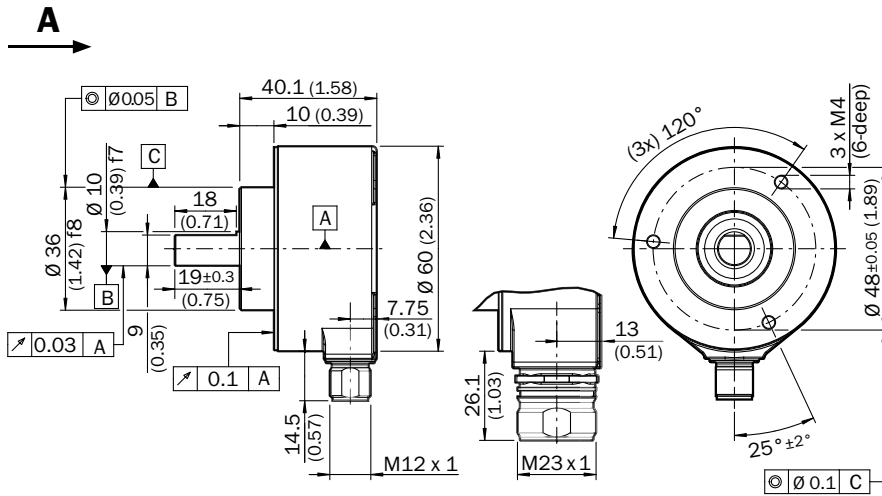
Face mount flange

Cable outlet



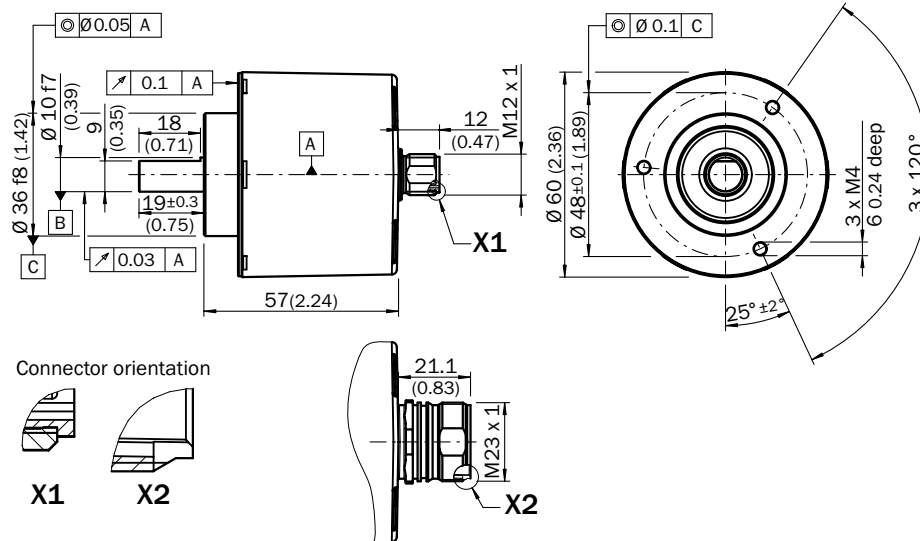
General tolerances as per DIN ISO 2768-mk
 ① Cable diameter = 5.6 ± 0.2 mm; bend radius R = 30 mm

Radial connector outlet M12 and M23



General tolerances as per DIN ISO 2768-mk

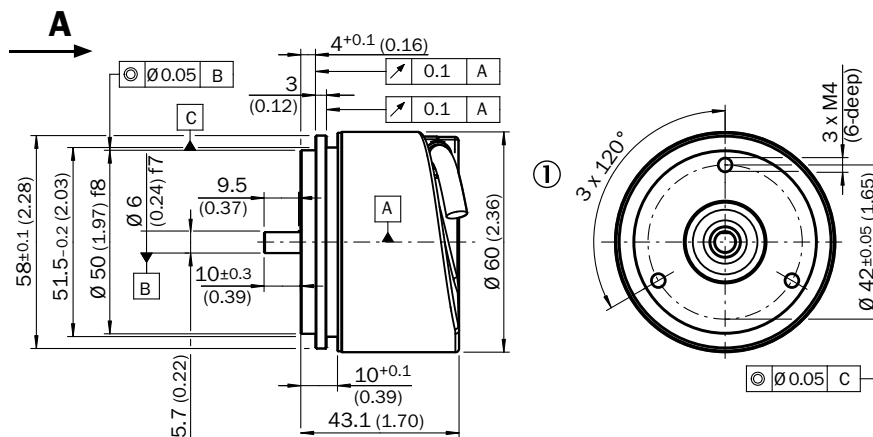
Axial connector outlet M12 and M23



General tolerances as per DIN ISO 2768-mk

Servo flange

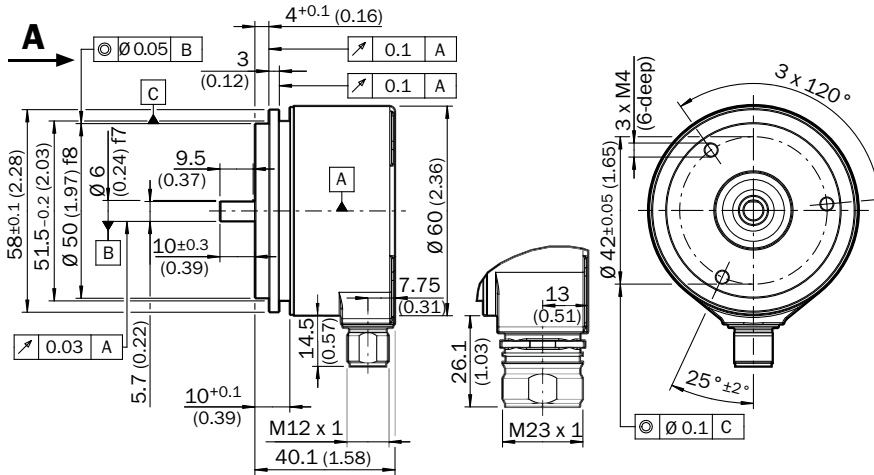
Cable outlet



General tolerances as per DIN ISO 2768-mk

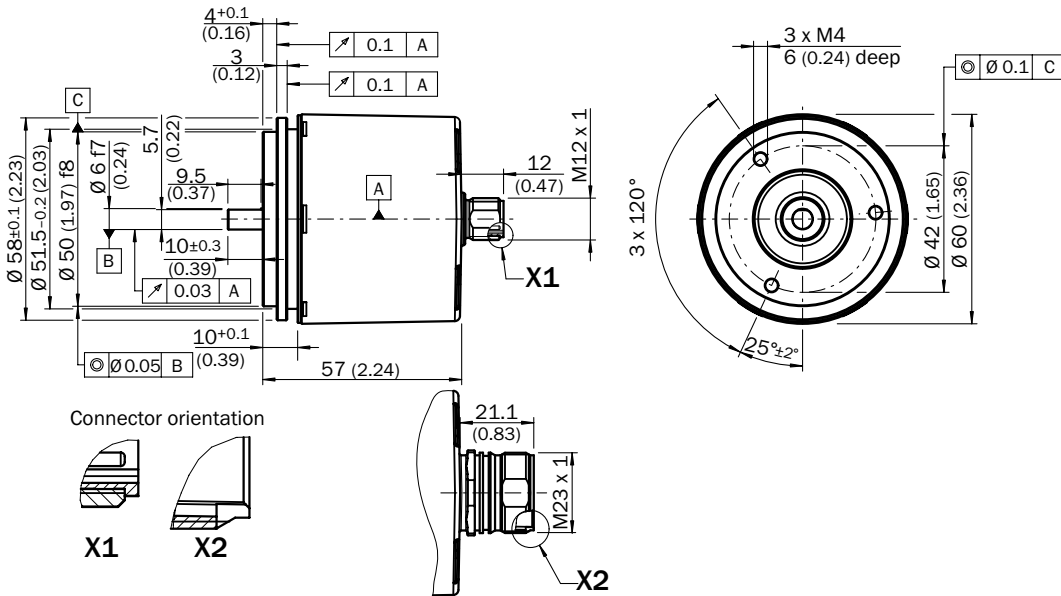
① Cable diameter = 5.6 ± 0.2 mm; bend radius R = 30 mm

Radial connector outlet M12 and M23



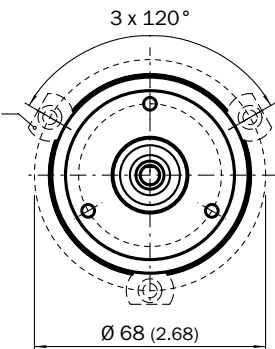
General tolerances as per DIN ISO 2768-mk

Axial connector outlet M12 and M23

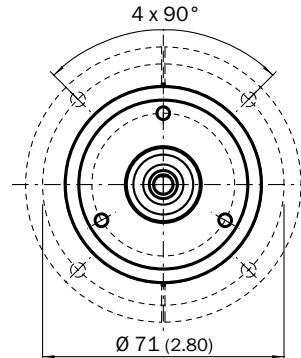


General tolerances as per DIN ISO 2768-mk

Mounting suggestion for small servo clamp part no. 2029166

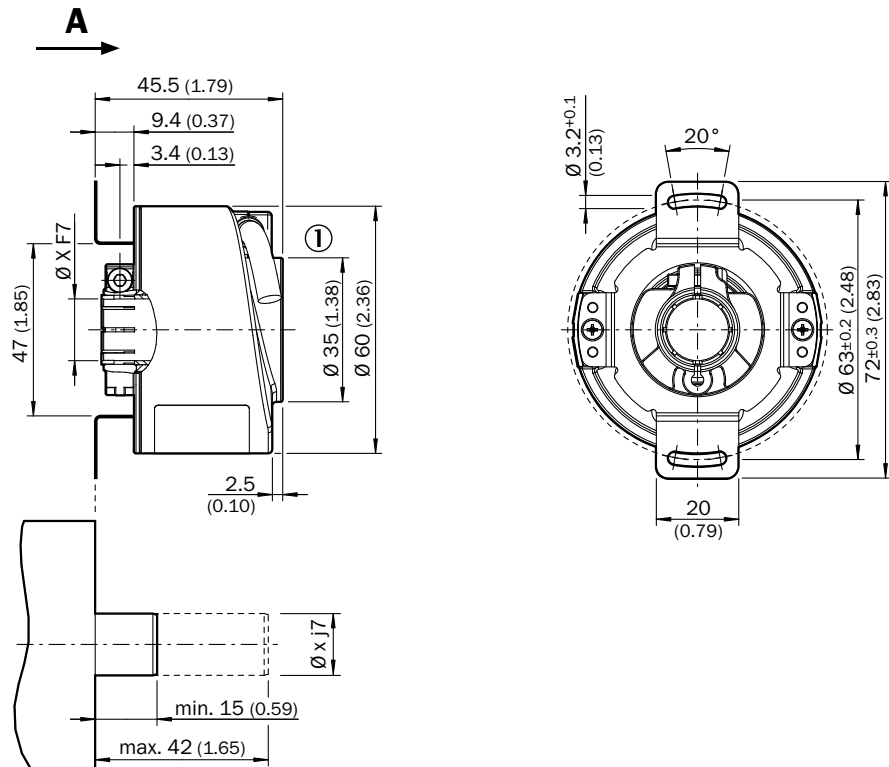


Mounting suggestion for half-shell servo clamp part no. 2029165



Blind hollow shaft

Cable outlet



General tolerances as per DIN ISO 2768-mk

① Cable diameter = 5.6 ± 0.2 mm; bend radius $R = 30$ mm

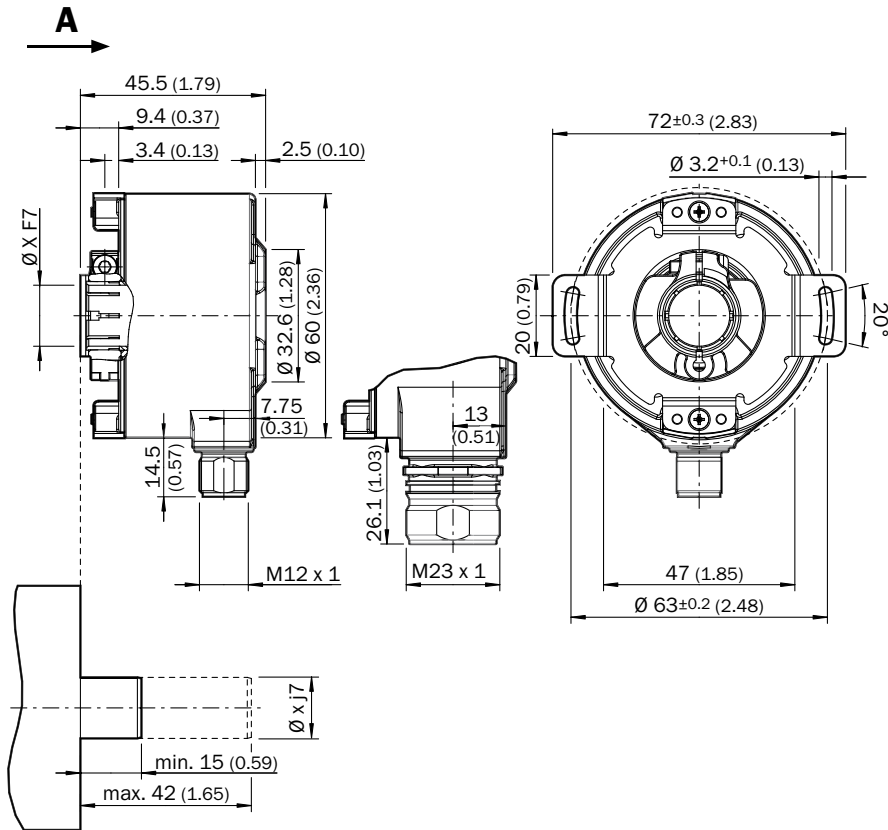
XF7 = hollow shaft diameter, see table below

xj7 = shaft diameter, on the customer side

Diameter XF7

- Blind hollow shaft 6 mm
- Blind hollow shaft 8 mm
- Blind hollow shaft 3/8"
- Blind hollow shaft 10 mm
- Blind hollow shaft 12 mm
- Blind hollow shaft 1/2"
- Blind hollow shaft 14 mm
- Blind hollow shaft 15 mm
- Blind hollow shaft 5/8"

Radial connector outlet M12 and M23



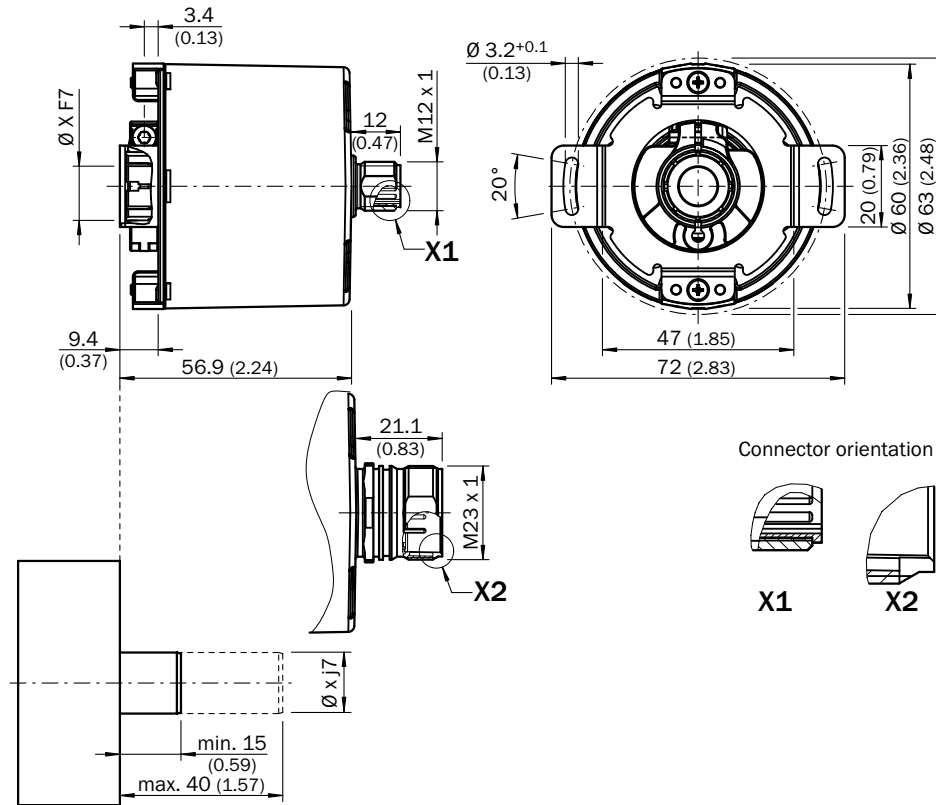
General tolerances as per DIN ISO 2768-mk

XF7 = hollow shaft diameter, see table below

xj7 = shaft diameter, on the customer side

Diameter XF7
Blind hollow shaft 6 mm
Blind hollow shaft 8 mm
Blind hollow shaft 3/8"
Blind hollow shaft 10 mm
Blind hollow shaft 12 mm
Blind hollow shaft 1/2"
Blind hollow shaft 14 mm
Blind hollow shaft 15 mm
Blind hollow shaft 5/8"

Axial connector outlet M12 and M23



Customer side

General tolerances as per DIN ISO 2768-mk

XF7 = hollow shaft diameter, see table below

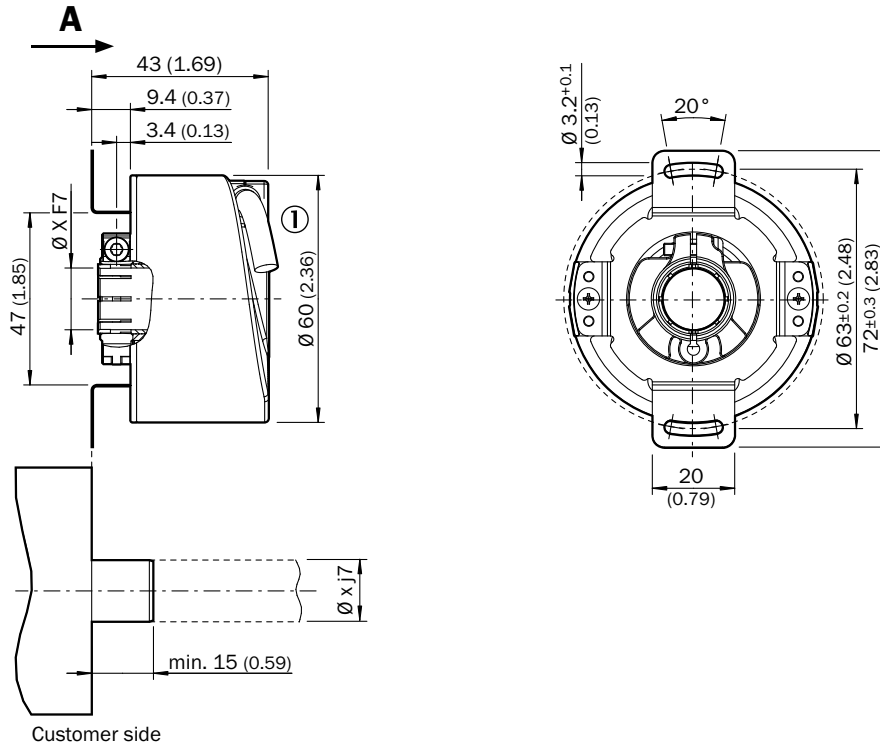
xj7 = shaft diameter, on the customer side

Diameter XF7

- Blind hollow shaft 6 mm
- Blind hollow shaft 8 mm
- Blind hollow shaft 3/8"
- Blind hollow shaft 10 mm
- Blind hollow shaft 12 mm
- Blind hollow shaft 1/2"
- Blind hollow shaft 14 mm
- Blind hollow shaft 15 mm
- Blind hollow shaft 5/8"

Through hollow shaft

Metal, cable outlet



General tolerances as per DIN ISO 2768-mk

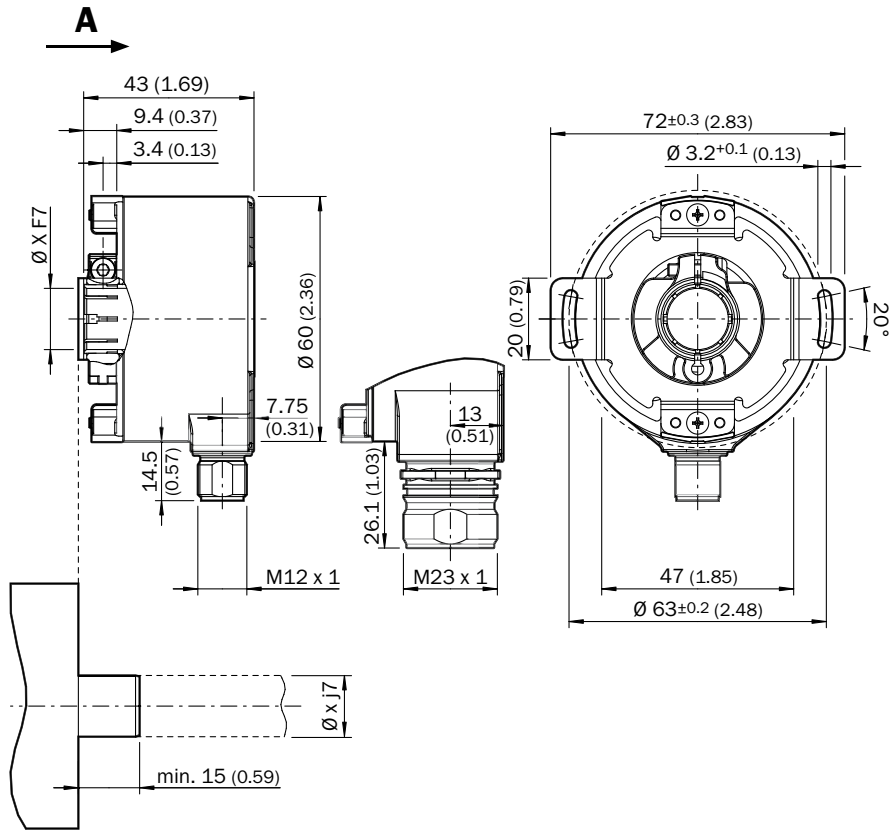
① Cable diameter = 5.6 ± 0.2 mm; bend radius $R = 30$ mm

XF7 = hollow shaft diameter, see table below

xj7 = shaft diameter, on the customer side

Diameter XF7
Blind hollow shaft 6 mm
Blind hollow shaft 8 mm
Blind hollow shaft 3/8"
Blind hollow shaft 10 mm
Blind hollow shaft 12 mm
Blind hollow shaft 1/2"
Blind hollow shaft 14 mm
Blind hollow shaft 15 mm
Blind hollow shaft 5/8"

Metal, radial connector outlet M12 and M23



Customer side

General tolerances as per DIN ISO 2768-mk

XF7 = hollow shaft diameter, see table below

xj7 = shaft diameter, on the customer side

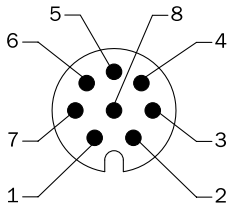
Diameter XF7

- Blind hollow shaft 6 mm
- Blind hollow shaft 8 mm
- Blind hollow shaft 3/8"
- Blind hollow shaft 10 mm
- Blind hollow shaft 12 mm
- Blind hollow shaft 1/2"
- Blind hollow shaft 14 mm
- Blind hollow shaft 15 mm
- Blind hollow shaft 5/8"

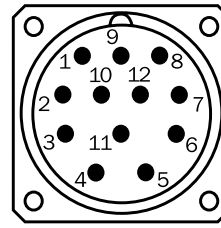
PIN and core assignment

8-core cable

View of M12 device connector on encoder



View of M23 device connector on encoder

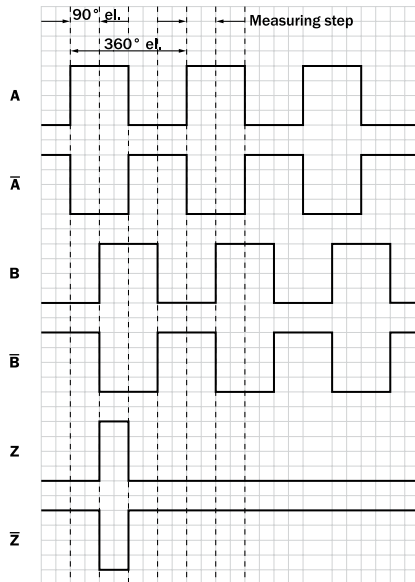


PIN, 8-pin, M12 connector	PIN, 12-pin, M23 connector	Core colors of encoders with cable outlet	TTL/HTL signal	SIN/COS 1,0 V _{pp}	Explanation
1	6	Brown	\bar{A}	COS-	Signal cable
2	5	White	A	COS+	Signal cable
3	1	Black	\bar{B}	SIN-	Signal cable
4	8	Pink	B	SIN+	Signal cable
5	4	Yellow	\bar{Z}	\bar{Z}	Signal cable
6	3	Lilac	Z	Z	Signal cable
7	10	Blue	GND	GND	Ground connection of the encoder
8	12	Red	+U _s	+U _s	Supply voltage (volt-free to housing)
-	9	-	N.C.	N.C.	Not assigned
-	2	-	N.C.	N.C.	Not assigned
-	11	-	N.C.	N.C.	Not assigned
-	7 ¹⁾	-	0-SET ¹⁾	N.C.	Zeropulse Teach ¹⁾
Shield	Shield	Shield	Shield	Shield	Shield connected to housing on side of encoder. Connected to ground on side of control.

¹⁾ For electrical interfaces only: M, U, V, W with 0-SET function on PIN 7 on M23 plug. The 0-SET input is used to set the zero pulse on the current shaft position. If the 0-SET input is applied to U_s for longer than 250 ms, after it has been open for at least 1,000 ms or applied to GND, the current shaft position is assigned the zero pulse signal "Z".

Interfaces

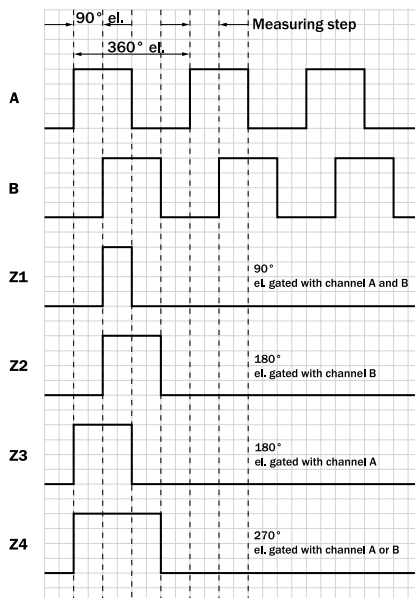
Signal outputs for electrical interfaces TTL and HTL



Cw looking towards the encoder shaft pointing towards “A” , see dimensional drawing.

Supply voltage	Output
4.5 ... 5.5 V	TTL
10 ... 32 V	TTL
10 ... 32 V	HTL

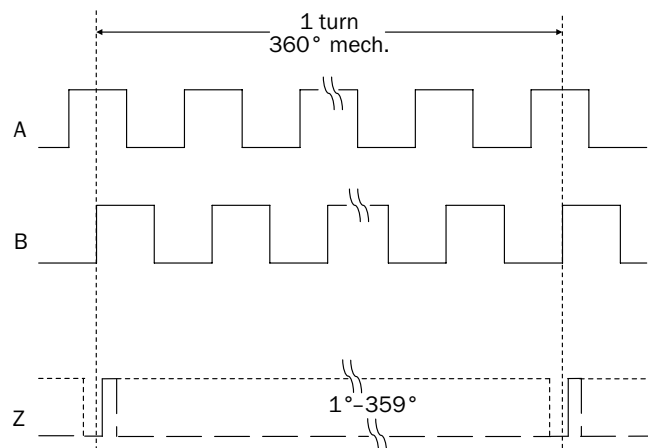
Electrical zero pulse width 90°, 180° or 270° programmable. Width of the zero pulse in relation to a pulse period.



Cw looking towards the encoder shaft pointing towards “A” , see dimensional drawing.

Supply voltage	Output
4.5 ... 32 V	HTL/TTL programmable

Mechanical zero pulse width 1° to 359° programmable. Width of the zero pulse in relation to a mechanical revolution of the shaft.

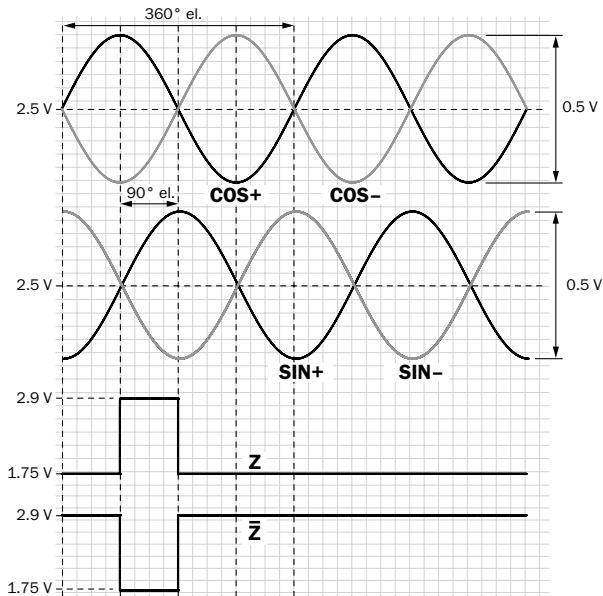


Electrical interfaces SIN/COS 1.0 V_{pp}

Power supply	Output
4.5 ... 5.5 V	Sine 0.5 V _{pp}

Signal **before** differential generation at load 120 Ω and U_s = 5 V

Signal diagram for clockwise rotation of the shaft looking in direction "A" (shaft)

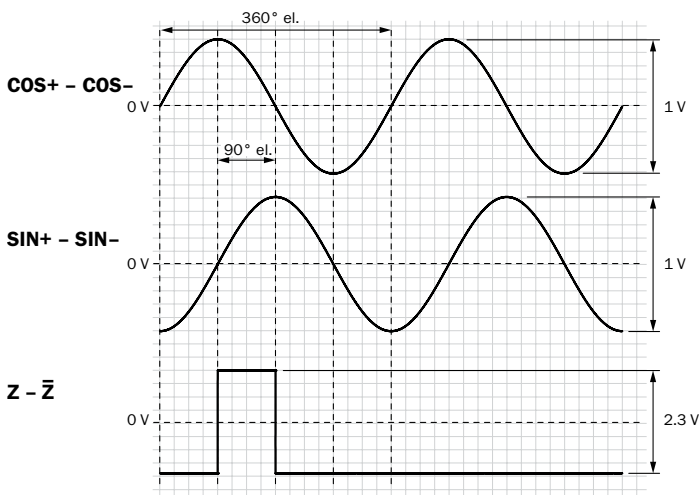


Interface signals Sin+, SIN-, COS+, COS-	Signal before differential generation at load 120 Ω	Signal offset
Analog differential	0.5 V _{pp} ± 20 %	2.5 V ± 10 %

Interface signals Z, Z̄	Signal before differential generation at load 120 Ω
Digital differential	Low: 1.75 V ± 15 %; High: 2.9 V ± 15 %

Signal **after** differential generation at load 120 Ω and U_s = 5 V



Signal diagram for clockwise rotation of the shaft looking in direction "A" (shaft)



Accessories




dimensions in mm (inch)

Programming Tools

	Description	Model name	Part no.
	Programming tool for connection to standard PC or notebook via USB port	PGT-08-S	1036616
	The PGT-10-S is an intuitively operated standalone programming device for SICK incremental encoders. Its low weight and compact dimensions make it portable and usable everywhere.	PGT-10-S	1052967

Adapter cable for programming tools

The following adapter cables are required to program the SICK incremental encoders.

	Description	Model name	Part no.
	Adapter cable for incremental programming tool with SUB-D 9-pin cable plug and M12 8-pin cable socket, pre-wired with 8-core cable, 4 x 2 x 0.08 mm ² , shielded, suitable for incremental encoder with M12 plug connector	DSL-2D08-G0M5AC3	2046579
	Adapter cable for incremental programming tool with SUB-D 9-pin cable plug and M23 12-pin cable socket, pre-wired with 8-core cable, 4 x 2 x 0.08 mm ² , shielded, suitable for incremental encoder with M23 plug connector	DSL-3D08-G0M5AC3	2046580
	Adapter cable for incremental programming tool with SUB-D 9-pin cable plug, shielded, suitable for incremental encoder with cable outlet	DSL-0D08-G0M5AC3	2061739

WARNING: Programming of the incremental encoders using the adapter cables for the absolute encoders will destroy the incremental encoders. Please ensure correct use!

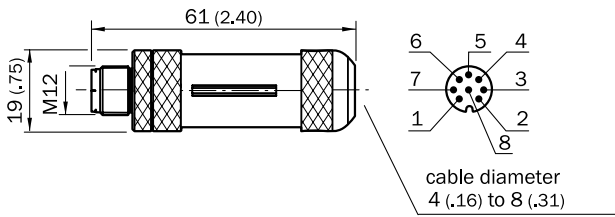
Plug connectors and cables

M12 screw-in system

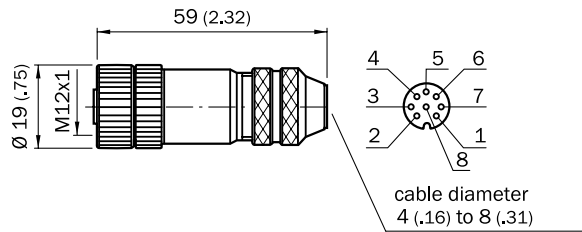
- Straight, shielded, convertible (on adapter)

Contacts	Cable diameter	Description	Model name	Part no.
8	4 ... 8 mm	Cable plug, M12, 8-pin, straight, shielded, suitable for cable diameter 4 - 8 mm	STE-1208-GA01	6044892
		Cable socket, M12, 8-pin, straight, shielded, suitable for cable diameter 4 - 8 mm	DOS-1208-GA01	6045001

STE-1208-GA01



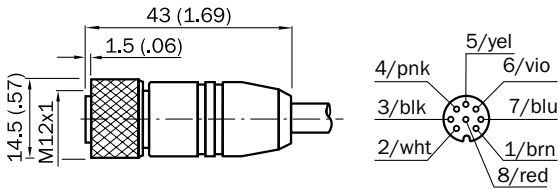
DOS-1208-GA01



- Straight, shielded

Description	Cable length	Model name	Part no.
Cable socket, 8-pin, straight, pre-wired with 8-core cable, 4 x 2 x 0.25 mm ² , shielded, cable diameter 7.0 mm	2.0 m	DOL-1208-G02MAC1	6032866
	5.0 m	DOL-1208-G05MAC1	6032867
	10.0 m	DOL-1208-G10MAC1	6032868
	20.0 m	DOL-1208-G20MAC1	6032869

DOL-1208-GxxMAC1



Cables

- With shield

Cores	Cable diameter	Description	Cable length	Model name	Part no.
8	5.6 mm	Data cable by the meter 4 x 2 x 0.15 mm ² with shielding, diam. 5.6 mm	Bulk goods	LTG-2308-MWENC	6027529
		Cables including seal, 4 x 2 x 0.15 mm ² for incremental encoder with universal cable outlet, with shielding, diam. 5.6 mm	0.5 m	DOL-0J08-G0M5AA3	2046873
			1.5 m	DOL-0J08-G1M5AA3	2046874
			3.0 m	DOL-0J08-G03MAA3	2046875
			5.0 m	DOL-0J08-G05MAA3	2046876
			10.0 m	DOL-0J08-G10MAA3	2046877
11	7.5 mm	Data cable by the meter 4 x 2 x 0.25 mm ² + 2 x 0.5 mm ² + 1 x 0.14 mm ² with shielding, diam. 7.5 mm	Bulk goods	LTG-2411-MW	6027530
12	7.8 mm	Data cable by the meter 4 x 2 x 0.25 mm ² + 2 x 0.5 mm ² + 2 x 0.14 mm ² with shielding, suitable for drag chain, diam. 7.8 mm	Bulk goods	LTG-2512-MW	6027531
		Data cable by the meter 4 x 2 x 0.25 mm ² + 2 x 0.5 mm ² + 2 x 0.14 mm ² with shielding, suitable for drag chain, UV and salt water resistant, diam. 7.8 mm	Bulk goods	LTG-2612-MW	6028516



Attention!

The flexible wires twisted in pairs must be assigned in accordance with the signals.

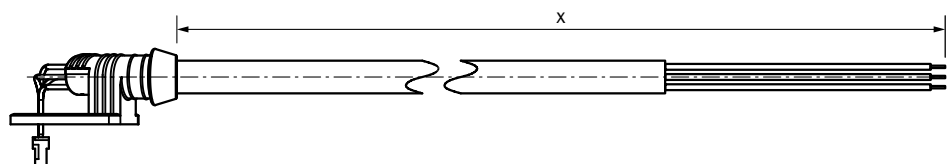
White/Brown = A/ \bar{A}

Lilac/Yellow = Z/ \bar{Z}

Pink/Black = B/ \bar{B}

Red/Blue = preferably U_s and GND

DOL-0J08-GxxxAA3

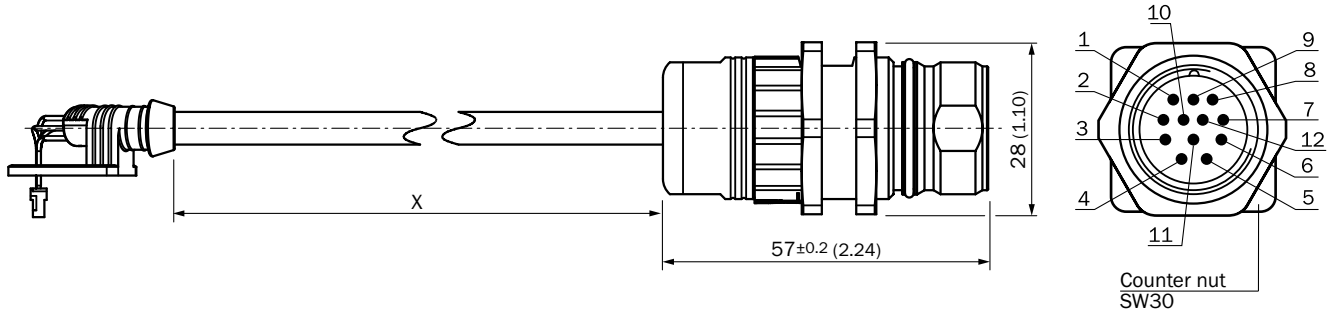


Round screw system M23

- Straight, shielded

Description	Cable length	Model name	Part no.
M23 cable plug, 12-pin, straight, 8-core cable, including seal, 4 x 2 x 0.15 mm ² , with shielding, cable diameter 5.6 mm	0.35 m	STL-2312-GM35AA3	2061621
	1.0 m	STL-2312-G01MAA3	2061622
	2.0 m	STL-2312-G02MAA3	2061504

- STL-2312-GM35AA3**
- STL-2312-G01MAA3**
- STL-2312-G02MAA3**



PIN allocation connector M23

PIN	Signal TTL, HTL	Signal sine 1.0 V _{pp}
1	\bar{B}	SIN-
2	Not connected	Not connected
3	Z	Z
4	\bar{Z}	\bar{Z}
5	A	COS+
6	\bar{A}	COS-
7	Not connected	Not connected
8	B	SIN+
9	Not connected	Not connected
10	GND	GND
11	Not connected	Not connected
12	U _s	U _s
Shield	Shield ¹⁾	Shield ¹⁾



Attention!

The flexible wires twisted in pairs must be assigned in accordance with the signals.

- White/Brown = A/ \bar{A} or COS+/COS-
- Lilac/Yellow = Z/ \bar{Z}
- Pink/Black = B/ \bar{B} or SIN+/SIN-
- Red/Blue = preferably U_s and GND

¹⁾ Shield connected to housing on side of encoder. Connected to ground on side of control.

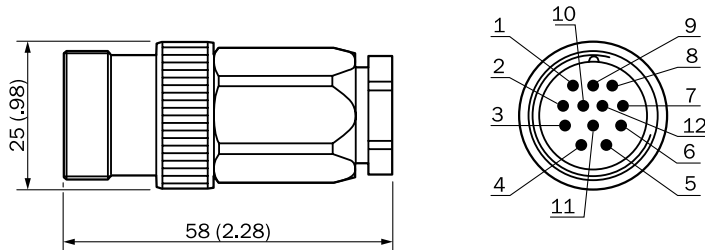
Attention! In combination with the electrical interfaces A, C, E and P only.

M23 screw-in system

- Straight, shielded

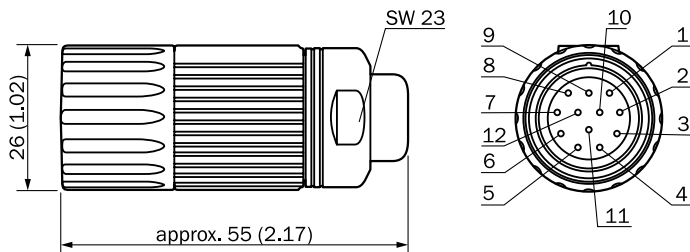
Contacts	Description	Model name	Part no.
12	Cable plug, M23, 12-pin, straight, shielded, suitable for cable diameter 5.5 - 10.5 mm	STE-2312-G	6027537
	Cable socket, M23, 12-pin, straight, shielded, suitable for cable diameter 5.5 - 10.5 mm	DOS-2312-G	6027538

STE-2312-G



General tolerances as per DIN ISO 2768-mk

DOS-2312-G



General tolerances as per DIN ISO 2768-mk

Description	Cable length	Model name	Part no.
Cable socket, M23, 12-pin, straight, pre-wired with 11-core cable, 4 x 2 x 0.25 mm ² + 2 x 0.5 mm ² + 1 x 0.14 mm ² , shielded, cable diameter 7.8 mm ¹⁾	2.0 m	DOL-2312-G02MLA3	2030682
	7.0 m	DOL-2312-G07MLA3	2030685
	10.0 m	DOL-2312-G10MLA3	2030688
	15.0 m	DOL-2312-G15MLA3	2030692
	20.0 m	DOL-2312-G20MLA3	2030695
	25.0 m	DOL-2312-G25MLA3	2030699
	30.0 m	DOL-2312-G30MLA3	2030702

¹⁾ Warning! Only in combination with the electrical interfaces A, C, E and P.

Description	Cable length	Model name	Part no.
Cable socket, M23, 12-pin, straight, 11-core cable, 4 x 2 x 0.25 mm ² + 2 x 0.5 mm ² + 1 x 0.14 mm ² , shielded, cable diameter 7.8 mm ¹⁾	1.5 m	DOL-2312-G1M5MA3	2029212
	3.0 m	DOL-2312-G03MMA3	2029213
	5.0 m	DOL-2312-G05MMA3	2029214
	10.0 m	DOL-2312-G10MMA3	2029215
	20.0 m	DOL-2312-G20MMA3	2029216
	30.0 m	DOL-2312-G30MMA3	2029217

¹⁾ Warning! Only in combination with the electrical interfaces A, C, E and P.

Description	Cable length	Model name	Part no.
Cable socket, M23, 12-pin, straight, 11-core cable, 4 x 2 x 0.25 mm ² + 2 x 0.5 mm ² + 1 x 0.14 mm ² , shielded, cable diameter 7.8 mm ¹⁾	2.0 m	DOL-2312-G02MLD1	2062202
	7.0 m	DOL-2312-G07MLD1	2062203
	10.0 m	DOL-2312-G10MLD1	2062204
	15.0 m	DOL-2312-G15MLD1	2062205
	20.0 m	DOL-2312-G20MLD1	2062206
	25.0 m	DOL-2312-G25MLD1	2062207
	30.0 m	DOL-2312-G30MLD1	2062208

¹⁾ Warning! Only in combination with the electrical interfaces U, V, W and M.

Description	Cable length	Model name	Part no.
Cable socket, M23, 12-pin, straight, pre-wired with 12-core cable, 4 x 2 x 0.25 mm ² + 2 x 0.5 mm ² + 1 x 0.14 mm ² , shielded, cable diameter 7.8 mm, suitable for drag chain ¹⁾	1.5 m	DOL-2312-G1M5MD1	2062240
	3.0 m	DOL-2312-G03MMD1	2062243
	5.0 m	DOL-2312-G05MMD1	2062244
	10.0 m	DOL-2312-G10MMD1	2062245
	20.0 m	DOL-2312-G20MMD1	2062246
	30.0 m	DOL-2312-G30MMD1	2062247

¹⁾ Warning! Only in combination with the electrical interfaces U, V, W and M.

Shaft adaptation

Couplings

- Bellow coupling, max. shaft offset radially ± 0.3 mm, axially 0.4 mm, angle ± 4 degrees, torsion spring stiffness of 120 Nm/rad, stainless steel bellow, aluminum hub.

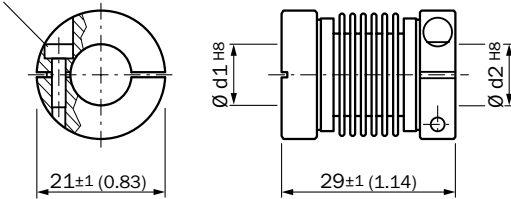
Description	Model name	Part no.
Bellows coupling with hole diameter combination 6 mm x 6 mm, maximum shaft offset, radial ± 0.3 mm, axial ± 0.4 mm, angle $\pm 4^\circ$, torsion spring stiffness 130 Nm/rad, material: stainless steel bellows, aluminum hub	KUP-0606-B	5312981
Bellows coupling with hole diameter combination 6 mm x 10 mm, maximum shaft offset, radial ± 0.3 mm, axial ± 0.4 mm, angle $\pm 4^\circ$, torsion spring stiffness 130 Nm/rad; material: stainless steel bellows, aluminum hub	KUP-0610-B	5312982
Bellows coupling with hole diameter combination 10 mm x 10 mm, maximum shaft offset, radial ± 0.3 mm, axial ± 0.4 mm, angle $\pm 4^\circ$, torsion spring stiffness 130 Nm/rad; material: stainless steel bellows, aluminum hub	KUP-1010-B	5312983
Bellows coupling with hole diameter combination 10 mm x 12 mm, maximum shaft offset, radial ± 0.3 mm, axial ± 0.4 mm, angle $\pm 4^\circ$, torsion spring stiffness 130 Nm/rad; material: stainless steel bellows, aluminum hub	KUP-1012-B	5312984

KUP-0606-B

KUP-0610-B

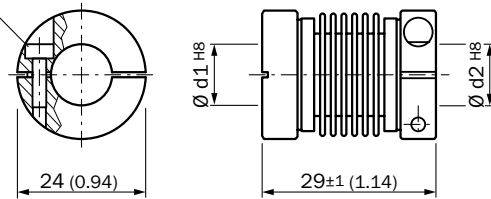
KUP-1010-B

Cheese-head screw
M2.5 x 8, DIN 912 A2



KUP-1012-B

Cheese-head screw
M2.5 x 8, DIN 912 A2

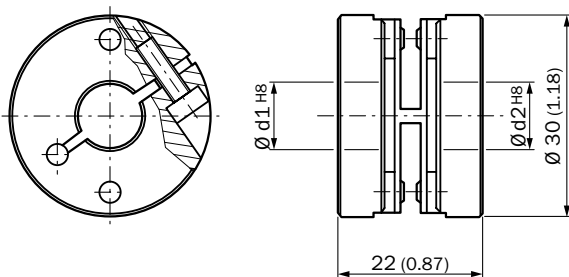


- Spring-disc coupling, max. shaft offset radially ± 0.3 mm, axially 0.4 mm, angle ± 2.5 degrees, torsion spring stiffness of 50 Nm/rad, aluminum flange, plastic spring washer glass-fiber reinforced.


Description	Model name	Part no.
Spring washer coupling with hole diameter combination 6 mm x 10 mm, maximum shaft offset, radial ± 0.3 mm, axial ± 0.4 mm, angle $\pm 2.5^\circ$, torsion spring stiffness 30 Nm/rad; material: aluminum flange, glass-fiber reinforced polyamide membrane and hardened steel coupling pin	KUP-0610-F	5312985
Spring washer coupling with hole diameter combination 10 mm x 10 mm, maximum shaft offset, radial ± 0.3 mm, axial ± 0.4 mm, angle $\pm 2.5^\circ$, torsion spring stiffness 30 Nm/rad; material: aluminum flange, glass-fiber reinforced polyamide membrane and hardened steel coupling pin	KUP-1010-F	5312986

KUP-0610-F

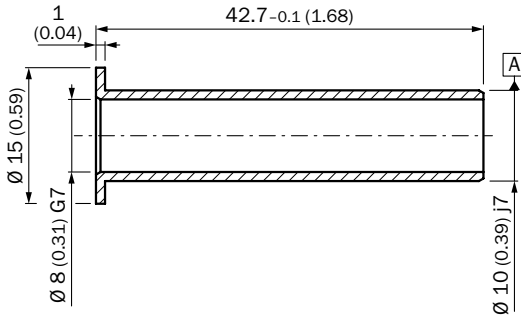
KUP-1010-F



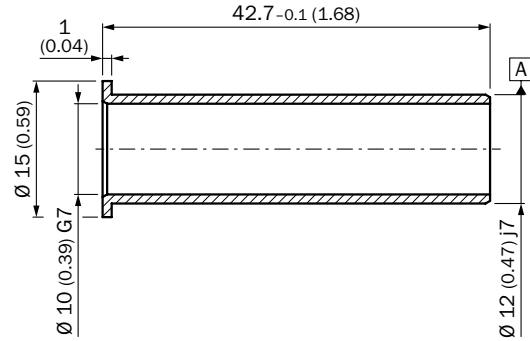
Insulating shaft connection

	Outside diameter	Inside diameter	Model name	Part no.
	10 mm	8 mm	Insulating sleeve 8 x 10 PEEK	2065642
	12 mm	10 mm	Insulating sleeve 10 x 12 PEEK	2064571
	14 mm	12 mm	Insulating sleeve 12 x 14 PEEK	2064573
	15 mm	12.7 mm	Insulating sleeve 12,7 x 15 PEEK	2064572

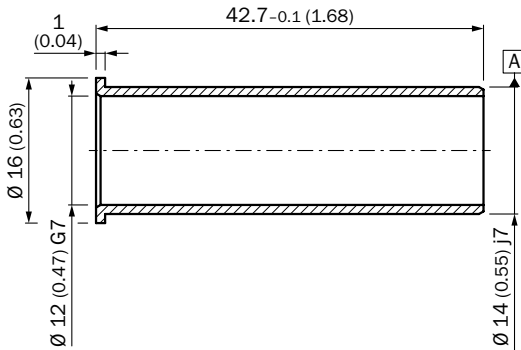
Insulating sleeve 8 x 10 PEEK



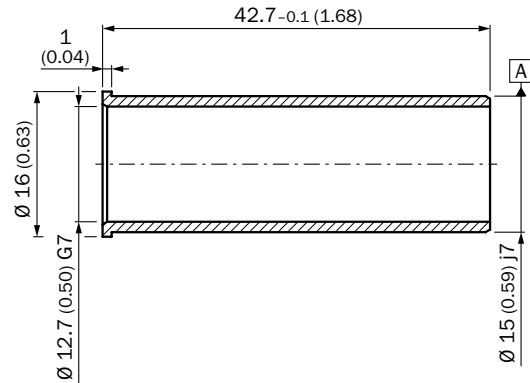
Insulating sleeve 10 x 12 PEEK



Insulating sleeve 12 x 14 PEEK



Insulating sleeve 12,7 x 15 PEEK



The diameter of the shaft provided by the customer must be in fit j7.

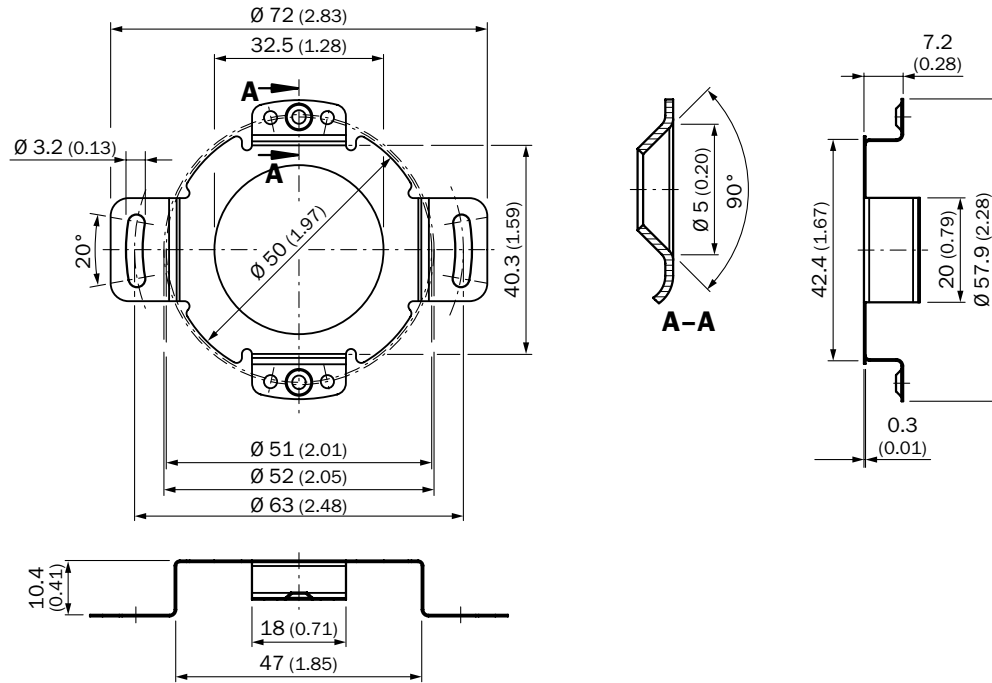
Clamping ring

Description	Model name	Part no.
Clamping ring metal, accessory for hollow shaft encoder	BEF-KR-M	2064709

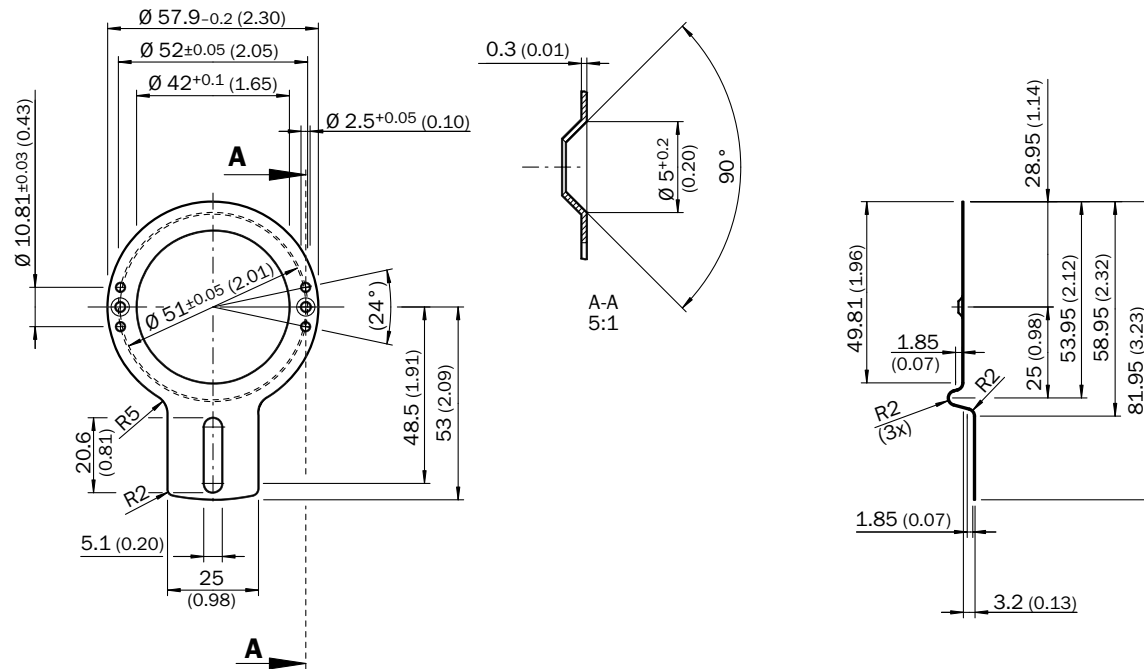
Torque support

Description	Model name	Part no.
Standard torque support	BEF-DS00AFX	2056812
Torque support, one-sided, 81 mm long with slot	BEF-DS01DFS/VFS	2047428
Torque support, one-sided, 179 mm long with slots	BEF-DS02DFS/VFS	2047430
Torque support, one-sided, 248 mm long with slots	BEF-DS03DFS/VFS	2047431

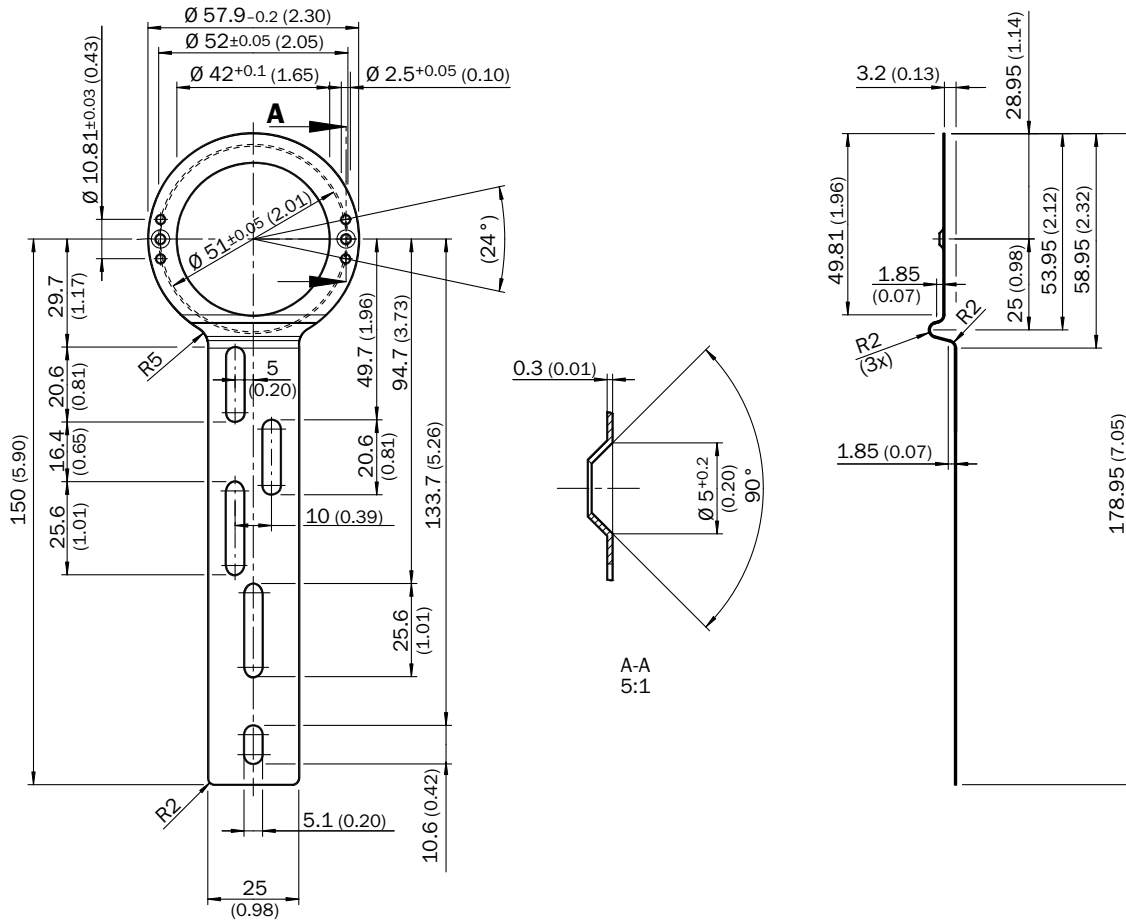
BEF-DS00XFX



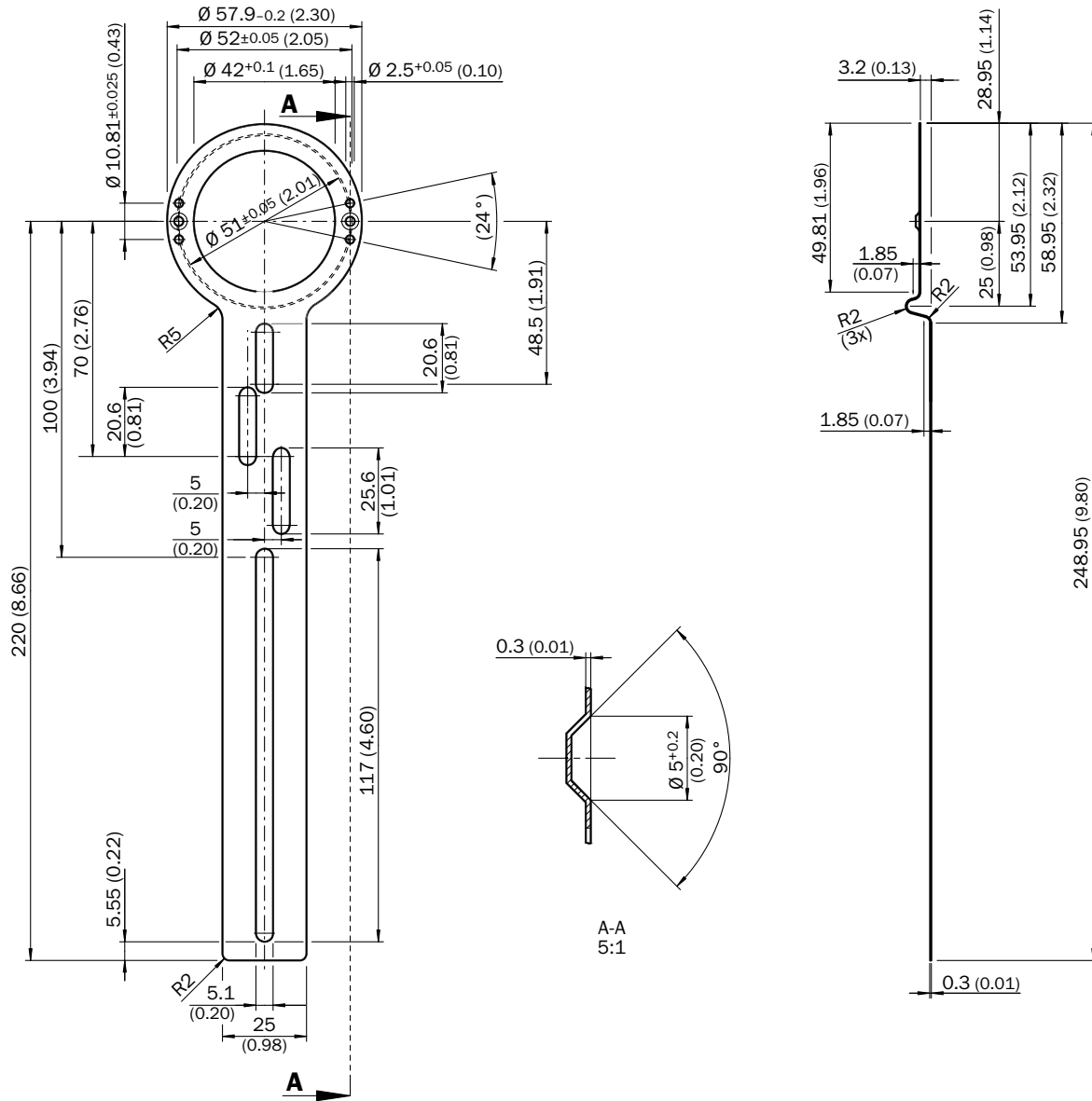
BEF-DS01DFS/VFS



BEF-DS02DFS/VFS



BEF-DS03DFS/VFS

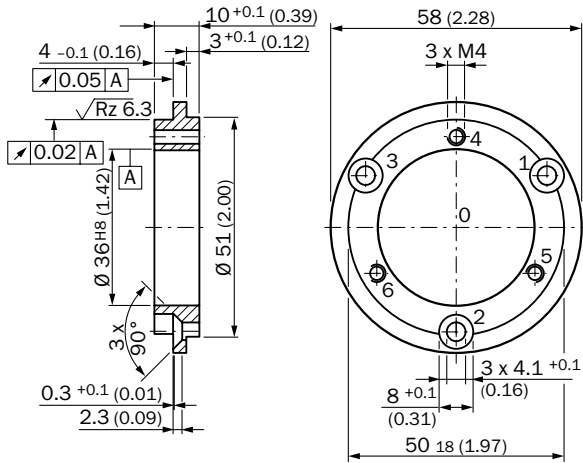


Mechanical adapters

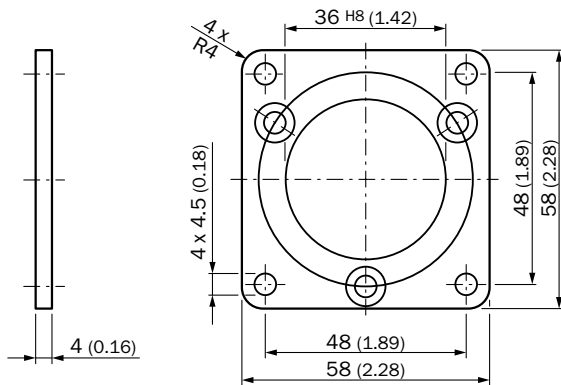
Adaptor flange

Adaptations	Model name	Part no.
Flange adapter, adapts face mount flange with 36 mm centering collar to 50 mm servo flange	BEF-FA-036-050	2029160
Flange adapter, adapts face mount flange with 36 mm centering collar to 60 mm square mounting plate	BEF-FA-036-060REC	2029162
Flange adapter, adapts face mount flange with 36 mm centering collar to 58 mm square mounting plate with shock absorber	BEF-FA-036-060RSA	2029163
Flange adapter, adapts face mount flange with 36 mm centering collar to 63 mm square mounting plate	BEF-FA-036-063REC	2034225

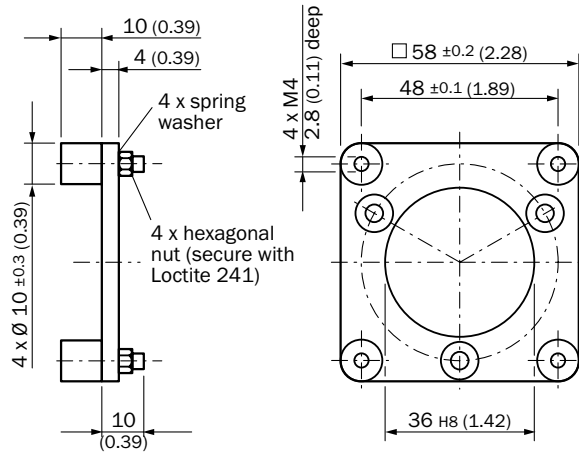
BEF-FA-036-050



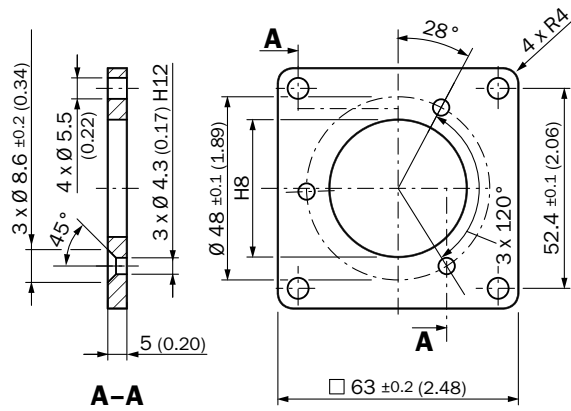
BEF-FA-036-060REC



BEF-FA-036-060RSA



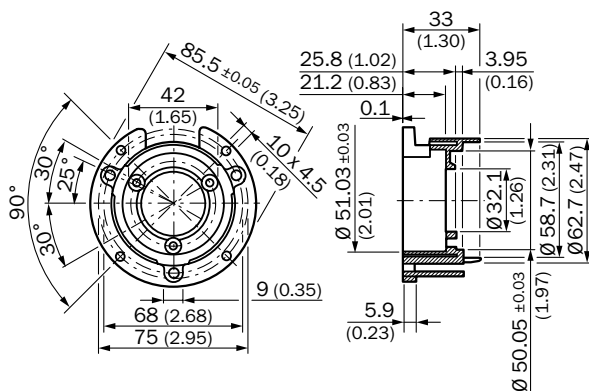
BEF-FA-036-063REC



Mounting bells

Description	Model name	Part no.
Mounting bell for servo flange encoder with 50 mm centering collar incl. mounting kit	BEF-MG-50	5312987

BEF-MG-50

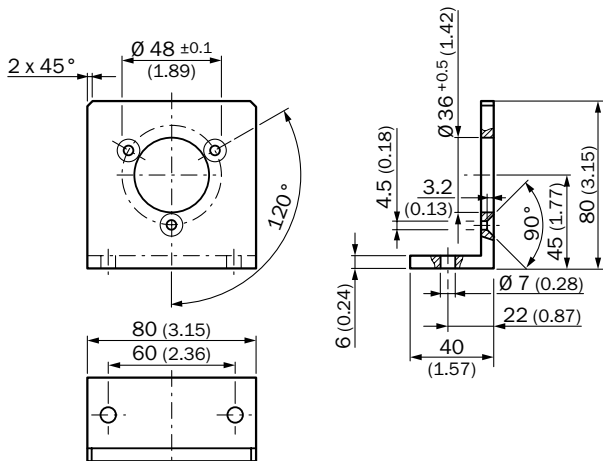


Mounting bracket

- Mounting bracket incl. mounting kit for encoder with face mount flange

Description	Model name	Part no.
Mounting bracket for encoder with 36 mm centering collar	BEF-WF-36	2029164

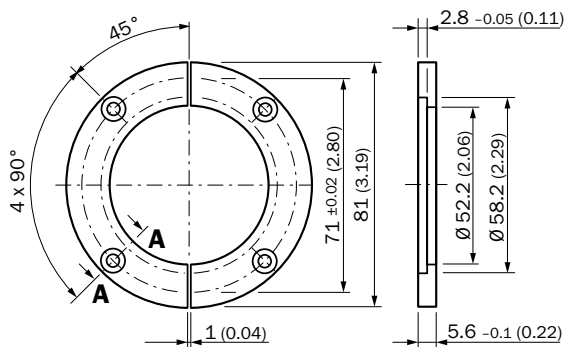
BEF-WF-36



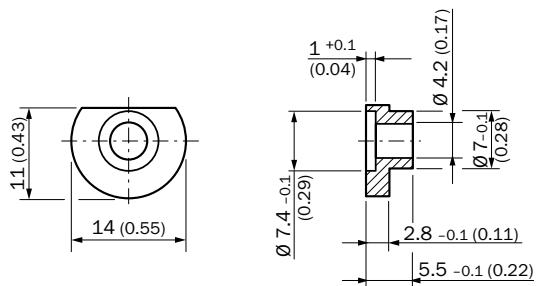
Servo clamps

Description	Model name	Part no.
Servo clamp half-shells (set of 2) for 50 mm centering collar	BEF-WG-SF050	2029165
Servo clamps (set of 3), large	BEF-WK-SF	2029166

BEF-WG-SF050



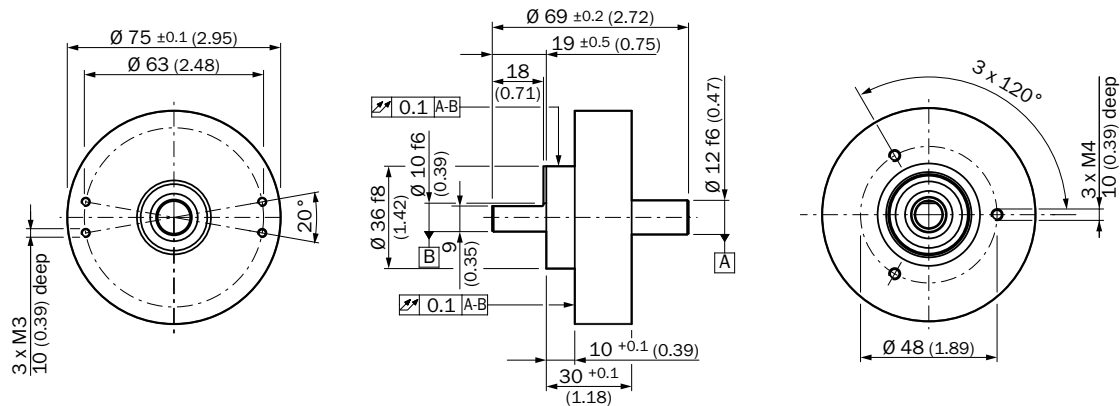
BEF-WK-SF



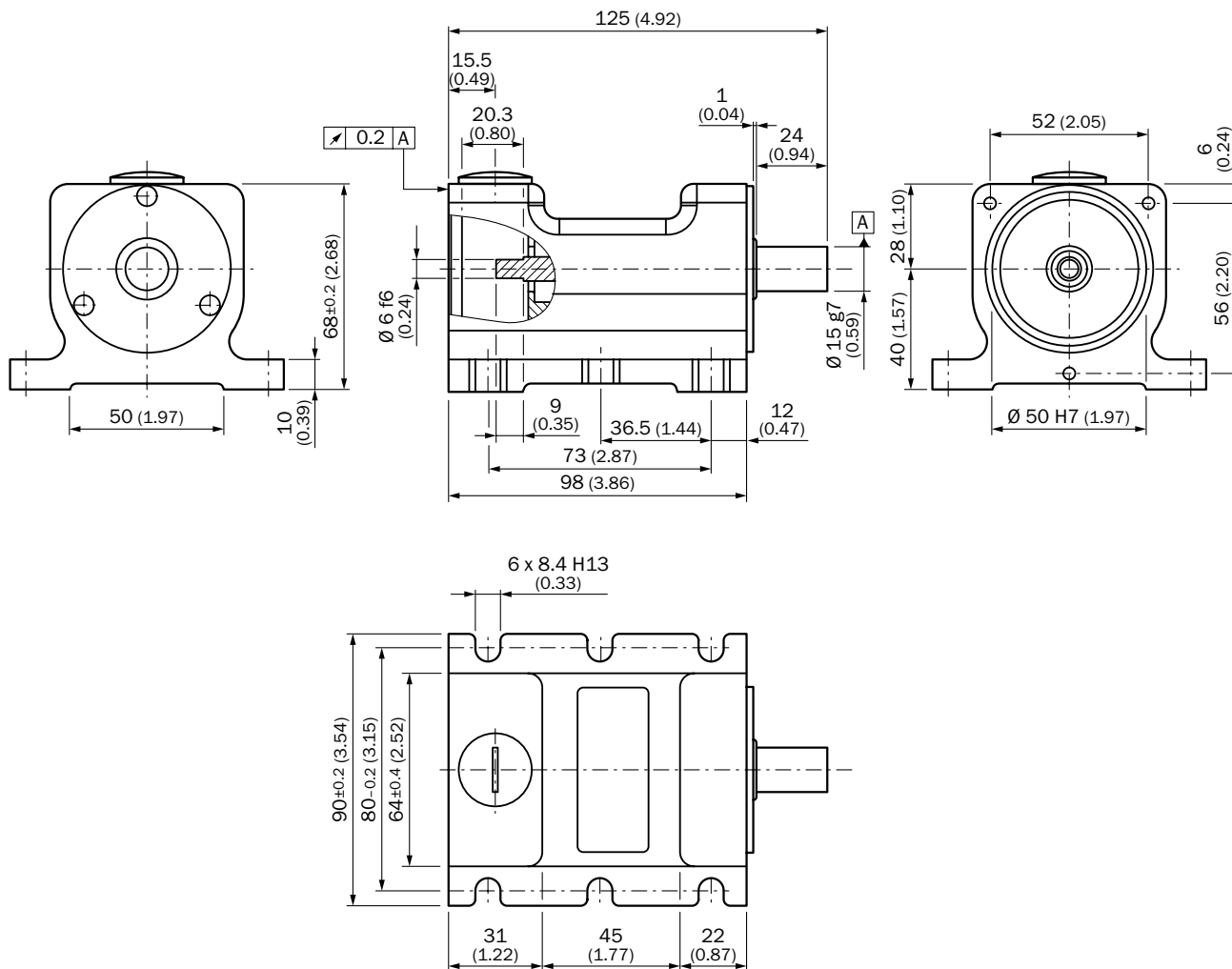
Bearing block

Description	Model name	Part no.
Bearing block for hollow shaft encoder	BEF-FA-B12-010	2042728
Bearing block for servo and face mount flange encoder	BEF-FA-LB1210	2044591

BEF-FA-B12-010



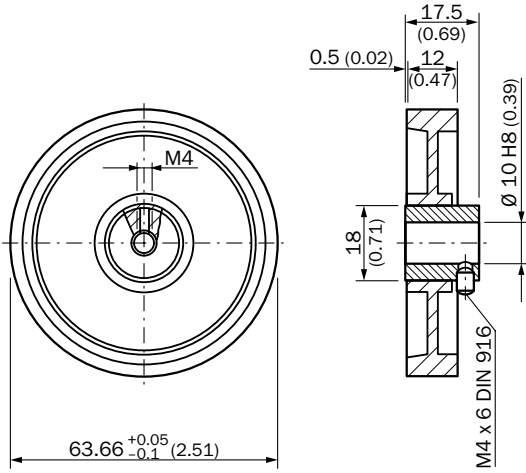
BEF-FA-LB1210



Measuring wheels

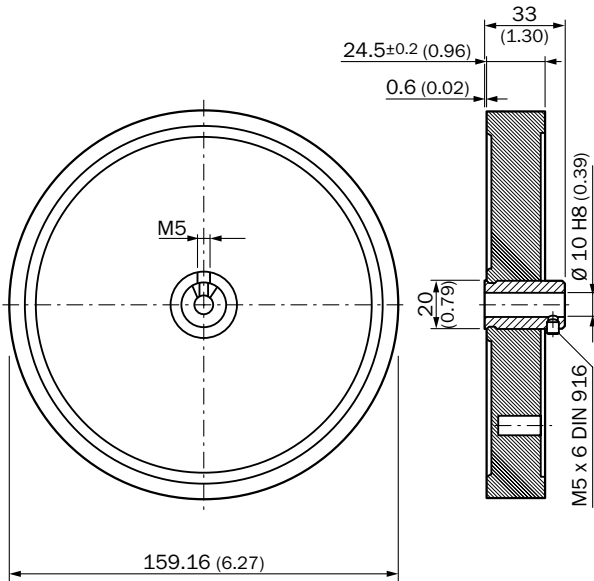
Description	Model name	Part no.
Measuring wheel with smooth plastic surface (Hytrel) for 10 mm solid shaft, circumference 200 mm	BEF-MR-010020	5312988
Measuring wheel with ridged plastic surface (Hytrel) for 10 mm solid shaft, circumference 200 mm	BEF-MR-010020G	5318678

BEF-MR-010020
BEF-MR-010020G



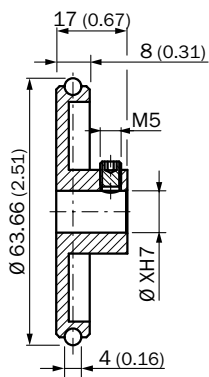
Description	Model name	Part no.
Measuring wheel with smooth plastic surface (Hytrel) for 10 mm solid shaft, circumference 500 mm	BEF-MR-010050	5312989

BEF-MR-010050



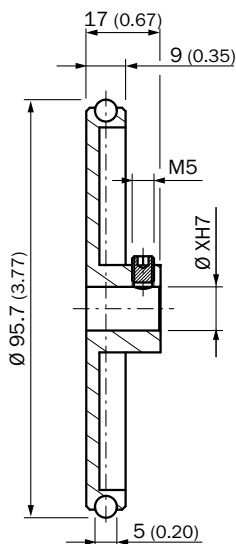
Description	Model name	Part no.
Measuring wheel with O-ring surface (NBR70) for 6 mm solid shaft, circumference 200 mm	BEF-MR006020R	2055222
Measuring wheel with O-ring surface (NBR70) for 10 mm solid shaft, circumference 200 mm	BEF-MR010020R	2055224
Replacement O-ring set (set of 2) for measuring wheels (circumference 200 mm) with O-ring	BEF-OR-053-040	2064061

BEF-MR006020R
BEF-MR010020R



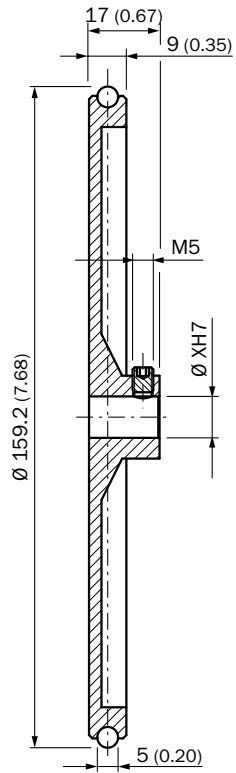
Description	Model name	Part no.
Measuring wheel with O-ring surface (NBR70) for 6 mm solid shaft, circumference 300 mm	BEF-MR006030R	2055634
Measuring wheel with O-ring surface (NBR70) for 10 mm solid shaft, circumference 300 mm	BEF-MR010030R	2049278
Replacement O-ring set (set of 2) for measuring wheels (circumference 300 mm) with O-ring	BEF-OR-083-050	2064076

BEF-MR006030R
BEF-MR010030R



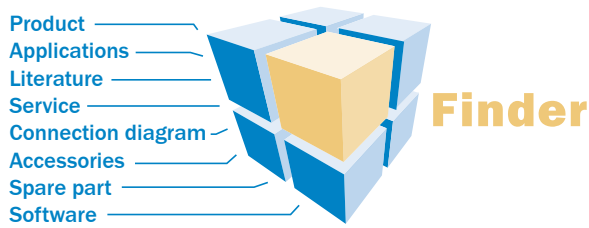
Description	Model name	Part no.
Measuring wheel with O-ring surface (NBR70) for 10 mm solid shaft, circumference 500 mm	BEF-MR010050R	2055227
Replacement O-ring set (set of 2) for measuring wheels (circumference 500 mm) with O-ring	BEF-OR-145-050	2064074

BEF-MR008050R



www.mysick.com – search online and order

Search online quickly and safely – with the SICK “Finders”

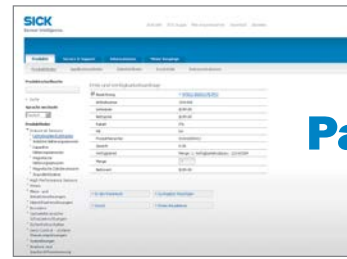


Product Finder: We can help you to quickly target the product that best matches your application.

Applications Finder: Select the application description on the basis of the challenge posed, industrial sector, or product group.

Literature Finder: Go directly to the operating instructions, technical information, and other literature on all aspects of SICK products.

Efficiency – with the e-commerce tools from SICK



Find out prices and availability: Determine the price and possible delivery date of your desired product simply and quickly at any time.

Request or view a quote: You can have a quote generated online here. Every quote is confirmed to you via e-mail.

Order online: You can go through the ordering process in just a few steps.

For safety and productivity: SICK LifeTime Services

SICK LifeTime Services is a comprehensive set of high-quality services provided to support the entire life cycle of products and applications from system design all the way to upgrades. These services increase the safety of people, boost the productivity of machines and serve as the basis for our customers’ sustainable business success.



Consulting & Design

Globally available experts for cost-effective solutions



Product & System Support

Fast and reliable, by telephone or on location



Verification & Optimization

Checks and recommendations for increased availability



Upgrade & Retrofits

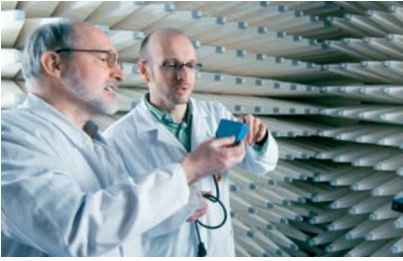
Uncovers new potential for machines and systems



Training & Education

Employee qualification for increased competitiveness

SICK at a glance



Leading technologies

With a staff of more than 5,800 and nearly 50 subsidiaries and representations worldwide, SICK is one of the leading and most successful manufacturers of sensor technology. The power of innovation and solution competency have made SICK the global market leader. No matter what the project and industry may be, talking with an expert from SICK will provide you with an ideal basis for your plans – there is no need to settle for anything less than the best.



Unique product range

- Non-contact detecting, counting, classifying, positioning and measuring of any type of object or media
- Accident and operator protection with sensors, safety software and services
- Automatic identification with bar code and RFID readers
- Laser measurement technology for detecting the volume, position and contour of people and objects
- Complete system solutions for analysis and flow measurement of gases and liquids



Comprehensive services

- SICK LifeTime Services – for safety and productivity
- Application centers in Europe, Asia and North America for the development of system solutions under real-world conditions
- E-Business Partner Portal www.mysick.com – price and availability of products, requests for quotation and online orders

Worldwide presence with subsidiaries in the following countries:

Australia
Belgium/Luxembourg
Brasil
Česká Republika
Canada
China
Danmark
Deutschland
España
France
Great Britain
India
Israel
Italia
Japan

México
Nederland
Norge
Österreich
Polska
România
Russia
Schweiz
Singapore
Slovenija
South Africa
South Korea
Suomi
Sverige
Taiwan
Türkiye
United Arab Emirates
USA

Please find detailed addresses and additional representatives and agencies in all major industrial nations at www.sick.com