

TORQUE WRENCH

LOW CLEARANCE - TWLC

Max Torque 39,024 Nm at 700 bar
(28,800 lb-ft at 10,000 psi)



Shown with optional handle, refer to page 22 for details.

TORQUE WRENCH LOW CLEARANCE

The TWLC Series Wrench was designed for the most inaccessible bolting areas found in the industry. Its long neck, short height and small radius have all added to its great success.



Several link sizes are available for each drive.

Combine a drive body with a link to make a wrench. Each are sold separately.



تامین صنعت پارلا تک (سهام خاص)

فکس : ۸۸۸۹۱۶۳۸

تلفن : ۸۸۸۹۶۵۳۸

وب: www.parla-tech.com ایمیل: info@parla-tech.com

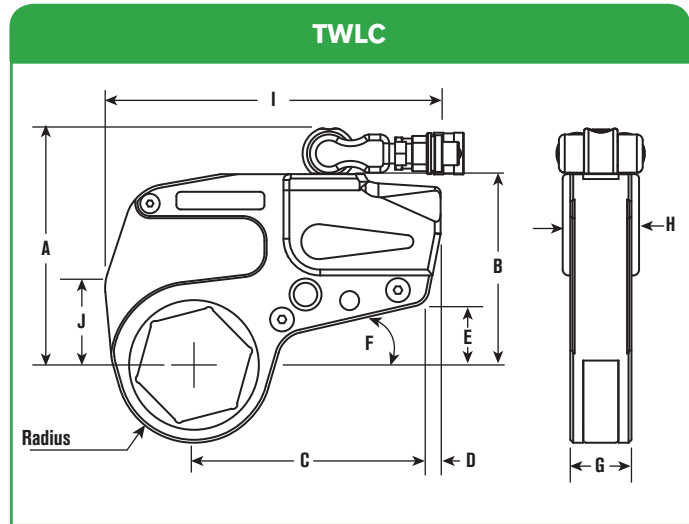
TWSD CONVERSION CHART,
SEE PAGE 121

OK FOR SUBSEA



Specifications and Dimensional Data

- Low weight, high strength design
- Superior torsional strength
- Fast operation cycle
- Fine tooth ratchet
- Floating piston design
- Link pin does not fall out
- Auto-connect drive piston
- Compact frame size
- Rigid steel body construction
- Swivel manifold internal relief valve prevents retract side over-pressurization
- "Hardened" steel reaction pad on TWLC8, 15 & 30
- Small nose radius
- Corrosion resistant finish
- Multi-axis high flow swivel manifold
- Simple design
- Consistent torque output



- Quick interchangeable heads, no tools necessary
- Replaceable reaction pad on larger models



Body Order No.	A		B		C		D		E		F		G		H	
	in	mm	in	mm	in	mm	in	mm	in	mm	in	mm	in	mm	in	mm
TWLC2	3.8	97	4.1	103	5	128	0.3	8	1.4	35	0.5	13	1.3	32	1.7	42
TWLC4	4.7	120	5.1	130	6.3	159	0.4	9	1.7	43	0.5	13	1.7	42	2	52
TWLC8	5.8	147	6.2	158	7	177	1	24.5	1.6	40	0.6	14	2.1	54	2.6	67
TWLC15	6.9	174	7.3	186	7.9	200	1.1	27	1.7	43	0.6	14	2.5	63	3	76
TWLC30	8.8	223	9.4	239	10.5	267	1	26	2.4	62	0.6	15	3.2	82	3.7	94

Body Order No.	Hex Range				Min Torque		Max Torque		Weight (Body Only)	
	in	in	mm	mm	lb-ft	Nm	lb-ft	Nm	lb	kg
TWLC2	1-1/8	2-3/8	26	60	189	256	1,575	2,134	2.2	1.0
TWLC4	1-5/16	3-1/8	33	80	477	646	3,975	5,386	4.4	2.0
TWLC8	1-7/8	3-15/16	49	100	954	1,293	7,950	10,772	7.7	3.5
TWLC15	2-7/16	4-5/8	62	116	1,782	2,415	14,850	20,122	15.4	7.0
TWLC30	3-1/8	6-1/16	80	155	3,456	4,683	28,800	39,024	31.9	14.5

CAUTION: Always read operating manual before using for proper use of tools and accessories.

NOTE: Reference dimensions shown and vary by links size. Exacting dimensions can be found on our website.

Ordering Information

TO SPECIFY A TWLC SOLUTION:

1. Find a link for your application (nut size) (page 28-29)
2. Choose the appropriate Drive body (page 27)
3. Add reducers for additional nut sizes (pages 30-31)

Please order Drive Body and Link separately and pay attention to the same size, for Example TWLC2 and TWL2-041.

TORQUE WRENCH

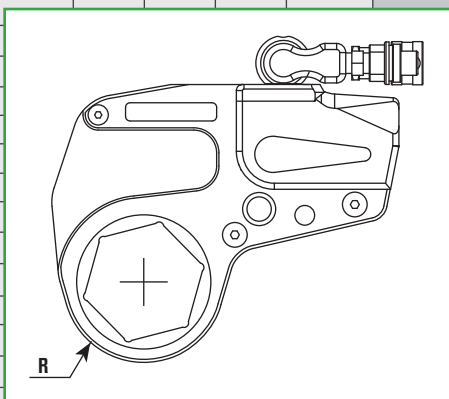
LOW CLEARANCE LINKS - TWLC

Parts Codes, Nose Radius

NOTE:

The sizes listed on these pages encompass both heavy hex and standard hex nut sizes. Check your local SPX Bolting Office for availability as some items may be special order.

Nut A/F		Link Order No.	TWLC2				Link Order No.	TWLC4				Link Order No.	TWLC8																
Inch	Metric		Radius R mm (in)	I mm (in)	J mm (in)	Weight (Link Only) kg (lb)		Radius R mm (in)	I mm (in)	J mm (in)	Weight (Link Only) kg (lb)		Radius R mm (in)	I mm (in)	J mm (in)	Weight (Link Only) kg (lb)													
1-1/8	26	TWL2-026																											
1-1/16	27	TWL2-027																											
1-1/8	29	TWL2-029																											
1-3/16	30	TWL2-030	31.5 (1.2)	180 (7.1)	38 (1.5)	2 (4.4)																							
1-1/4	32	TWL2-032																											
1-5/16	33	TWL2-033									TWL4-033																		
1-3/8	35	TWL2-035									TWL4-035																		
1-7/16	36	TWL2-036									TWL4-036																		
1-1/2	38	TWL2-150					TWL4-150	36.5 (1.4)	227 (8.9)	53 (2.1)	4 (8.8)																		
1-9/16	40	TWL2-040	34.5 (1.4)	181 (7.1)	40 (1.6)	2 (4.4)	TWL4-040																						
1-5/8	41	TWL2-041													TWL4-041														
1-11/16	43	TWL2-043					TWL4-043																						
1-3/4	44	TWL2-044	37 (1.5)	183 (7.2)	40 (1.6)	2 (4.4)	TWL4-044					39 (1.5)	227 (8.9)	53 (2.1)	4 (8.8)														
1-13/16	46	TWL2-046					TWL4-046																						
1-7/8	48	TWL2-188					TWL4-188																						
1-15/16	49	TWL2-049	40 (1.6)	185 (7.3)	43 (1.7)	2 (4.4)	TWL4-049	42 (1.7)	227 (8.9)	53 (2.1)	4 (8.8)																		
2	50	TWL2-050													TWL4-050														
2-1/16	52	TWL2-052					TWL4-052																						
2-1/8	54	TWL2-054	42.5 (1.7)	185 (7.3)	43 (1.7)	2 (4.4)	TWL4-054	44.5 (1.8)	227 (8.9)	53 (2.1)	4 (8.8)																		
2-3/16	55	TWL2-055													TWL4-055														
2-1/4	57	TWL2-057													TWL4-225														
2-5/16	59	TWL2-059	45.5 (1.8)	185 (7.3)	43 (1.7)	2 (4.4)	TWL4-059	47.5 (1.9)	227 (8.9)	53 (2.1)	4 (8.8)																		
2-3/8	60	TWL2-060													TWL4-060														
2-7/16	62						TWL4-062																						
2-1/2	63						TWL4-063	50 (2.0)	227 (8.9)	53 (2.1)	4 (8.8)																		
2-9/16	65						TWL4-065																						
2-5/8	67						TWL4-067																						
2-11/16	68						TWL4-068	53 (2.1)	229 (9.0)	56 (2.2)	4 (8.8)																		
2-3/4	70						TWL4-070																						
2-13/16	71						TWL4-071																						
2-7/8	73						TWL4-073	55.5 (2.2)	229 (9.0)	56 (2.2)	4.5 (9.9)																		
2-15/16	75						TWL4-075																						
3	77						TWL4-077																						
3-1/16	78						TWL4-313	59 (2.3)	230 (9.1)	58 (2.3)	4.5 (9.9)																		
3-1/8	80						TWL4-080																						
3-3/16	81																												
3-1/4	83																												
3-5/16	84																												
3-3/8	85																												
3-7/16	87																												
	89																												
3-1/2	90																												
3-9/16	91																												
3-5/8	92																												
3-11/16	94																												
3-3/4	95																												
3-13/16	97																												
	99																												
3-7/8	100																												



تامین صنعت پارلاتک (سهام خاص)

فکس : ۸۸۸۹۱۶۳۸ تلفن : ۸۸۸۹۶۵۳۸
وب: www.parla-tech.com ایمیل: info@parla-tech.com

MORE SOLUTIONS ON NEXT PAGE

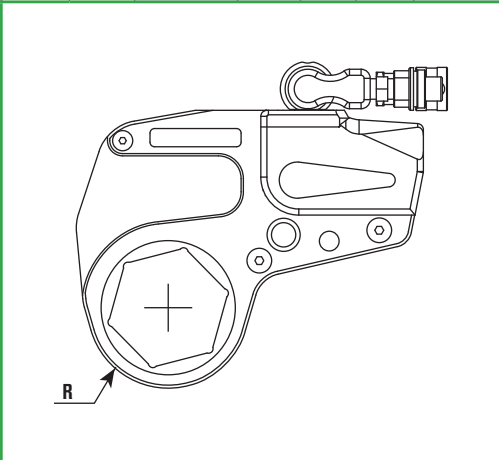
Ordering Information

TO SPECIFY A TWLC SOLUTION:

1. Find a link for your application (nut size) (page 28-29)
2. Choose the appropriate Drive body (page 27)
3. Add reducers for additional nut sizes (pages 30-31)

Please order Drive Body and Link separately and pay attention to the same size, for Example TWLC2 and TWL2-041.

Nut A/F		Link Order No.	TWLC15			Weight (Link Only) kg (lb)	TWLC30			Weight (Link Only) kg (lb)	Nut A/F		Link Order No.	TWLC30 (Continued)			Weight (Link Only) kg (lb)					
Inch	Metric		Radius R mm (in)	I mm (in)	J mm (in)		Radius R mm (in)	I mm (in)	J mm (in)		Inch	Metric		Radius R mm (in)	I mm (in)	J mm (in)						
2-7/16	62	TWL15-062	60.5 (2.4)	313 (12.3)	88 (3.5)	12.5 (27.5)					4-13/16	122	TWL30-122	99 (3.9)	400 (15.7)	109 (4.3)	28.5 (62.7)					
2-1/2	63	TWL15-063									4-7/8	124	TWL30-124					4-15/16	125	TWL30-125		
2-9/16	65	TWL15-065									5	127	TWL30-500					5-1/16	129	TWL30-129		
2-5/8	67	TWL15-067									5-1/8	130	TWL30-130					5-1/8	130	TWL30-130		
2-11/16	68	TWL15-068									5-3/16	132	TWL30-132					5-1/4	133	TWL30-133		
2-3/4	70	TWL15-070									5-3/8	135	TWL30-135					5-3/8	135	TWL30-135		
2-13/16	71	TWL15-071	66.5 (2.6)	313 (12.3)	88 (3.5)	13 (28.6)					5-7/16	138	TWL30-138	110 (4.3)	400 (15.7)	109 (4.3)	28.5 (62.7)					
2-7/8	73	TWL15-073									5-1/2	140	TWL30-140					5-9/16	141	TWL30-141		
2-15/16	75	TWL15-075									5-5/8	143	TWL30-143					5-5/8	143	TWL30-143		
3	77	TWL15-077									5-11/16	144	TWL30-144					5-11/16	144	TWL30-144		
3-1/16	78	TWL15-313									5-3/4	145	TWL30-145					5-3/4	145	TWL30-145		
3-1/8	80	TWL15-080									5-13/16	148	TWL30-148					5-13/16	148	TWL30-148		
3-3/16	81	TWL15-081	72 (2.8)	313 (12.3)	8 (0.3)	13.5 (29.7)					5-7/8	149	TWL30-149	116 (4.6)	400 (15.7)	109 (4.3)	29.5 (64.9)					
3-1/4	83	TWL15-083									5-15/16	151	TWL30-151					5-15/16	151	TWL30-151		
3-5/16	84	TWL15-084									6	152	TWL30-152					6	152	TWL30-152		
3-3/8	85	TWL15-085									6-1/16	154	TWL30-154					6-1/16	154	TWL30-154		
3-7/16	87	TWL15-087									6-1/8	155	TWL30-155					6-1/8	155	TWL30-155		
3-1/2	90	TWL15-090																				
3-9/16	91	TWL15-091	78 (3.1)	316 (12.4)	80 (3.1)	13.5 (29.7)																
3-5/8	92	TWL15-092															4-13/16	122	TWL30-122	4-7/8	124	TWL30-124
3-11/16	94	TWL15-094															4-15/16	125	TWL30-125	5	127	TWL30-500
3-3/4	95	TWL15-095															5-1/16	129	TWL30-129	5-1/8	130	TWL30-130
3-13/16	97	TWL15-097															5-3/16	132	TWL30-132	5-1/4	133	TWL30-133
3-9/8	99	TWL15-388															5-3/8	135	TWL30-135	5-3/8	135	TWL30-135
3-7/8	100	TWL15-100																				
4	102	TWL15-102	82.5 (3.2)	316 (12.4)	80 (3.1)	14 (30.8)																
4-1/16	103	TWL15-103															5-7/16	138	TWL30-138	5-1/2	140	TWL30-140
4-1/8	105	TWL15-105															5-9/16	141	TWL30-141	5-5/8	143	TWL30-143
4-3/16	106	TWL15-106															5-11/16	144	TWL30-144	5-11/16	144	TWL30-144
4-1/4	108	TWL15-425															5-3/4	145	TWL30-145	5-3/4	145	TWL30-145
4-5/16	110	TWL15-110															5-13/16	148	TWL30-148	5-13/16	148	TWL30-148
4-3/8	111	TWL15-111																				
4-7/16	113	TWL15-113	87.5 (3.4)	316 (12.4)	80 (3.1)	14 (30.8)																
4-1/2	114	TWL15-114															5-7/8	149	TWL30-149	5-15/16	151	TWL30-151
4-9/16	116	TWL15-116															5-15/16	151	TWL30-151	6	152	TWL30-152
4-5/8	117	TWL15-463															6-1/16	154	TWL30-154	6-1/16	154	TWL30-154
4-11/16	119																6-1/8	155	TWL30-155	6-1/8	155	TWL30-155
4-3/4	120																					



MORE SOLUTIONS ON NEXT PAGE

TORQUE WRENCH

LOW CLEARANCE REDUCERS - TWLC

Drive Body, Links & Reducers

Special sizes available upon request.



Specifications and Dimensional Data

Body Order No.	Link Order No.	Nut A/F		Reducer			Reducer			Reducer		
		in	mm	in	mm	Order No.	in	mm	Order No.	in	mm	Order No.
TWLC2	TWL2-032	1-1/4	32	-	-	-	-	-	-	-	-	-
	TWL2-036	1-7/16	36	-	-	-	-	-	-	-	-	-
	TWL2-041	1-5/8	41	1-5/8 - 1-7/16	41-36	TWR2-041036	1-5/8 - 1-1/4	41-32	TWR2-041032	-	-	-
	TWL2-046	1-13/16	46	1-13/16 - 1-5/8	46-41	TWR2-046041	1-13/16 - 1-7/16	46-36	TWR2-046036	1-13/16 - 1-1/4	46-32	TWR2-046032
	TWL2-050	2	50	2 - 1-13/16	50-46	TWR2-050046	2 - 1-5/8	50-41	TWR2-050041	2 - 1-7/16	50-36	TWR2-050036
	TWL2-055	2-3/16	55	2-3/16 - 2	55-50	TWR2-055050	2-3/16 - 1-13/16	55-46	TWR2-055046	2-3/16 - 1-5/8	55-41	TWR2-055041
	TWL2-060	2-3/8	60	2-3/8 - 2-3/16	60-55	TWR2-060055	2-3/8 - 2	60-50	TWR2-060050	2-3/8 - 1-13/16	60-46	TWR2-060046
TWLC4	TWL4-041	1-5/8	41	1-5/8 - 1-7/16	41-36	TWR4-041036	1-5/8 - 1-1/4	41-32	TWR4-041032	-	-	-
	TWL4-046	1-13/16	46	1-13/16 - 1-5/8	46-41	TWR4-046041	1-13/16 - 1-7/16	46-36	TWR4-046036	1-13/16 - 1-1/4	46-32	TWR4-046032
	TWL4-050	2	50	2 - 1-13/16	50-46	TWR4-050046	2 - 1-5/8	50-41	TWR4-050041	2 - 1-7/16	50-36	TWR4-050036
	TWL4-055	2-3/16	55	2-3/16 - 2	55-50	TWR4-055050	2-3/16 - 1-13/16	55-46	TWR4-055046	2-3/16 - 1-5/8	55-41	TWR4-055041
	TWL4-060	2-3/8	60	2-3/8 - 2-3/16	60-55	TWR4-060055	2-3/8 - 2	60-50	TWR4-060050	2-3/8 - 1-13/16	60-46	TWR4-060046
	TWL4-065	2-9/16	65	2-9/16 - 2-3/8	65-60	TWR4-065060	2-9/16 - 2-3/16	65-55	TWR4-065055	2-9/16 - 2	65-50	TWR4-065050
	TWL4-070	2-3/4	70	2-3/4 - 2-9/16	70-65	TWR4-070065	2-3/4 - 2-3/8	70-60	TWR4-070060	2-3/4 - 2-3/16	70-55	TWR4-070055
	TWL4-075	2-15/16	75	2-15/16 - 2-3/4	75-70	TWR4-075070	2-15/16 - 2-9/16	75-65	TWR4-075065	2-15/16 - 2-3/8	75-60	TWR4-075060
	TWL4-080	3-1/8	80	3-1/8 - 2-15/16	80-75	TWR4-080075	3-1/8 - 2-3/4	80-70	TWR4-080070	3-1/8 - 2-9/16	80-65	TWR4-080065
TWLC8	TWL8-060	2-3/8	60	2-3/8 - 2-3/16	60-55	TWR8-060055	2-3/8 - 2	60-50	TWR8-060050	2-3/8 - 1-13/16	60-46	TWR8-060046
	TWL8-065	2-9/16	65	2-9/16 - 2-3/8	65-60	TWR8-065060	2-9/16 - 2-3/16	65-55	TWR8-065055	2-9/16 - 2	65-50	TWR8-065050
	TWL8-070	2-3/4	70	2-3/4 - 2-9/16	70-65	TWR8-070065	2-3/4 - 2-3/8	70-60	TWR8-070060	2-3/4 - 2-3/16	70-55	TWR8-070055
	TWL8-075	2-15/16	75	2-15/16 - 2-3/4	75-70	TWR8-075070	2-15/16 - 2-9/16	75-65	TWR8-075065	2-15/16 - 2-3/8	75-60	TWR8-075060
	TWL8-080	3-1/8	80	3-1/8 - 2-15/16	80-75	TWR8-080075	3-1/8 - 2-3/4	80-70	TWR8-080070	3-1/8 - 2-9/16	80-65	TWR8-080065
	TWL8-085	3-3/8	85	3-3/8 - 3-1/8	85-80	TWR8-085080	3-3/8 - 2-15/16	85-65	TWR8-085065	3-3/8 - 2-3/4	85-70	TWR8-085070
	TWL8-090	3-1/2	90	3-1/2 - 3-3/8	90-85	TWR8-090085	3-1/2 - 3-1/8	90-80	TWR8-090080	3-1/2 - 2-15/16	90-75	TWR8-090075
	TWL8-095	3-3/4	95	3-3/4 - 3-1/2	95-90	TWR8-095090	3-3/4 - 3-3/8	95-85	TWR8-095085	3-3/4 - 3-1/8	95-80	TWR8-095080
	TWL8-100	3-7/8	100	3-7/8 - 3-3/4	100-95	TWR8-100095	3-7/8 - 3-1/2	100-90	TWR8-100090	3-7/8 - 3-3/8	100-85	TWR8-100085

12 point links available upon request. Please contact factory.

Ordering Information

TO SPECIFY A TWLC SOLUTION:

1. Find a link for your application (nut size) (page 28-29)
2. Choose the appropriate Drive body (page 27)
3. Add reducers for additional nut sizes (pages 30-31)

Please order Drive Body and Link separately and pay attention to the same size, for Example TWLC2 and TWL2-041.



Specifications and Dimensional Data

Body Order No.	Link Order No.	Nut A/F		Reducer			Reducer			Reducer		
		in	mm	in	mm	Order No.	in	mm	Order No.	in	mm	Order No.
TWLC15	TWL15-070	2-3/4	70	2-3/4 - 2-9/16	70-65	TWR15-070065	2-3/4 - 2-3/8	70-60	TWR15-070060	2-3/4 - 2-3/16	70-55	TWR15-070055
	TWL15-075	2-15/16	75	2-15/16 - 2-3/4	75-70	TWR15-075070	2-15/16 - 2-9/16	75-65	TWR15-075065	2-15/16 - 2-3/8	75-60	TWR15-075060
	TWL15-080	3-1/8	80	3-1/8 - 2-15/16	80-75	TWR15-080075	3-1/8 - 2-3/4	80-70	TWR15-080070	3-1/8 - 2-9/16	80-65	TWR15-080065
	TWL15-085	3-3/8	85	3-3/8 - 3-1/8	85-80	TWR15-085080	3-3/8 - 2-15/16	85-65	TWR15-085065	3-3/8 - 2-3/4	85-70	TWR15-085070
	TWL15-090	3-1/2	90	3-1/2 - 3-3/8	90-85	TWR15-090085	3-1/2 - 3-1/8	90-80	TWR15-090080	3-1/2 - 2-15/16	90-75	TWR15-090075
	TWL15-095	3-3/4	95	3-3/4 - 3-1/2	95-90	TWR15-095090	3-3/4 - 3-3/8	95-85	TWR15-095085	3-3/4 - 3-1/8	95-80	TWR15-095080
	TWL15-100	3-7/8	100	3-7/8 - 3-3/4	100-95	TWR15-100095	3-7/8 - 3-1/2	100-90	TWR15-100090	3-7/8 - 3-3/8	100-85	TWR15-100085
	TWL15-105	-	105	-	105-100	TWR15-105100	-	105-95	TWR15-105095	-	105-90	TWR15-105090
	TWL15-425	4-1/4	-	4-1/4 - 3-7/8	-	TWR15-425388	4-1/4 - 3-3/4	-	TWR15-425375	4-1/4 - 3-1/2	-	TWR15-425350
	TWL15-110	-	110	-	110-105	TWR15-110105	-	110-100	TWR15-110010	-	110-95	TWR15-110095
	TWL15-115	-	115	-	115-110	TWR15-115110	-	115-105	TWR15-115105	-	115-100	TWR15-115100
TWL15-463	4-5/8	-	4-5/8 - 4-1/4	-	TWR15-463425	4-5/8 - 3-7/8	-	TWR15-463388	4-5/8 - 3-3/4	-	TWR15-463375	
TWLC30	TWL30-080	3-1/8	80	3-1/8 - 2-15/16	80-75	TWR30-080075	3-1/8 - 2-3/4	80-70	TWR30-080070	3-1/8 - 2-9/16	80-65	TWR30-080065
	TWL30-085	3-3/8	85	3-3/8 - 3-1/8	85-80	TWR30-085080	3-3/8 - 2-15/16	85-65	TWR30-085065	3-3/8 - 2-3/4	85-70	TWR30-085070
	TWL30-090	3-1/2	90	3-1/2 - 3-3/8	90-85	TWR30-090085	3-1/2 - 3-1/8	90-80	TWR30-090080	3-1/2 - 2-15/16	90-75	TWR30-090075
	TWL30-095	3-3/4	95	3-3/4 - 3-1/2	95-90	TWR30-095090	3-3/4 - 3-3/8	95-85	TWR30-095085	3-3/4 - 3-1/8	95-80	TWR30-095080
	TWL30-100	3-7/8	100	3-7/8 - 3-3/4	100-95	TWR30-100095	3-7/8 - 3-1/2	100-90	TWR30-100090	3-7/8 - 3-3/8	100-85	TWR30-100085
	TWL30-105	-	105	-	105-100	TWR30-105100	-	105-95	TWR30-105095	-	105-90	TWR30-105090
	TWL30-425	4-1/4	-	4-1/4 - 3-7/8	-	TWR30-425388	4-1/4 - 3-3/4	-	TWR30-425375	4-1/4 - 3-1/2	-	TWR30-425350
	TWL30-110	-	110	-	110-105	TWR30-110105	-	110-100	TWR30-110010	-	110-95	TWR30-110095
	TWL30-115	-	115	-	115-110	TWR30-115110	-	115-105	TWR30-115015	-	115-100	TWR30-115100
	TWL30-463	4-5/8	-	4-5/8 - 4-1/4	-	TWR30-463425	4-5/8 - 3-7/8	-	TWR30-463388	4-5/8 - 3-3/4	-	TWR30-463375
	TWL30-120	-	120	-	120-115	TWR30-120115	-	120-110	TWR30-120110	-	120-105	TWR30-120105
	TWL30-500	5	-	5 - 4-5/8	-	TWR30-500463	5 - 4-1/4	-	TWR30-500425	5 - 3-7/8	-	TWR30-500388
	TWL30-130	-	130	-	130-120	TWR30-130120	-	130-115	TWR30-130115	-	130-110	TWR30-130110
	TWL30-135	5-3/8	135	5-3/8 - 5	135-125	TWR30-135125	5-3/8 - 4-5/8	135-120	TWR30-135120	5-3/8 - 4-1/4	135-115	TWR30-135115
	TWL30-145	5-3/4	145	AVAILABLE UPON REQUEST								
	TWL30-150	-	150									
	TWL30-155	6-1/8	155									

TORQUE WRENCH REACTION ARMS - TWLC

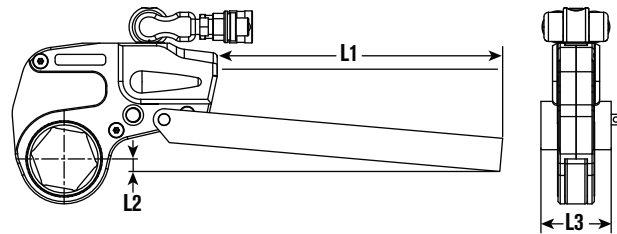
SPX Bolting Systems offer a varied range of alternative and optional reaction accessories, which help to find a reaction point solution no matter how unusual the bolted application is.

TWLC REACTION BAR TWLC-RB



- In-Line Extension Reaction Bar for TWLC wrench: allows extended reach on the same plane
- Pin engagement, no tools required
- Available for full range of tool sizes

Specifications and Dimensional Data



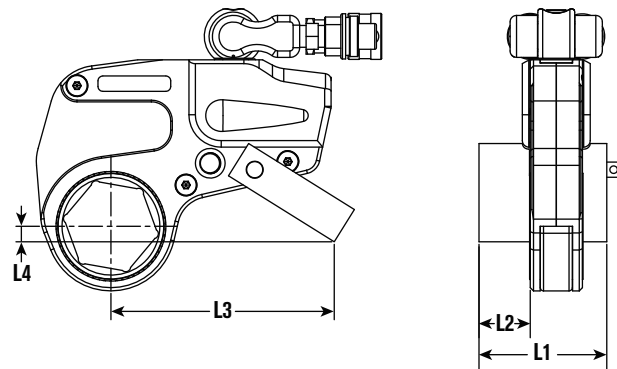
Tool Ref	Order No.	L1		L2		L3	
		mm	in	mm	in	mm	in
TWLC2	TWLC2-RB	381	15	28	1.10	55	2.17
TWLC4	TWLC4-RB	457	18	35	1.38	66	2.60
TWLC8	TWLC8-RB	457	18	37	1.46	85	3.35
TWLC15	TWLC15-RB	508	20	40	1.57	102	4.01
TWLC30	TWLC30-RB	508	20	35	1.38	127	5

TWLC REACTION PADDLE TWLC-RP



- Off-Set Reaction Arm for TWLC wrench: allows off-set reaction within wrench profile
- Pin engagement, no tools required
- Light alloy construction
- Available for full range of tool

Specifications and Dimensional Data



Tool Ref	Order No.	L1		L2		L3		L4	
		mm	in	mm	in	mm	in	mm	in
TWLC2	TWLC2-RP	84	3.31	35	1.38	142	5.59	13	0.51
TWLC4	TWLC4-RP	109	4.29	46	1.81	178	7.01	19	0.75
TWLC8	TWLC8-RP	136.5	5.37	57	2.25	220	8.66	26	1.02
TWLC15	TWLC15-RP	165	6.50	70	2.76	252	9.92	45	1.77
TWLC30	TWLC30-RP	200	7.874	86	3.39	317	12.48	44	1.73

**HAVE A UNIQUE APPLICATION?
DOES STANDARD PRODUCT NOT FIT?**



CUSTOM REACTION PADS AND REDUCERS ARE AVAILABLE.

Contact SPX or an authorized distributor for more details

**WHEN NOTHING ELSE WILL WORK,
SPLIT ADAPTERS ARE MADE TO
ORDER AND AVAILABLE UPON
REQUEST.**



**TWLC15 split adapter,
closed position**



**TWLC15 split adapter,
open position**