

## Plug-in Signal Conditioners K-UNIT

### SIGNAL TRANSMITTER

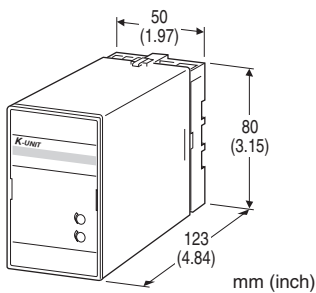
(CE, isolated)

#### Functions & Features

- Converting a DC input into a standard process signal
- Signal isolation
- Fast response type available
- High-density mounting

#### Typical Applications

- Isolation between control room and field instrumentation



### MODEL: KVS-[1][2]-[3][4]/CE

#### ORDERING INFORMATION

- Code number: KVS-[1][2]-[3][4]/CE
- Specify a code from below for each of [1] through [4].  
(e.g. KVS-6A-H/K/CE)
- Special input and output ranges (For codes Z & 0)

#### [1] INPUT

##### Current

- A: 4 - 20 mA DC (Input resistance 250 Ω)
- A1: 4 - 20 mA DC (Input resistance 50 Ω)
- B: 2 - 10 mA DC (Input resistance 500 Ω)
- C: 1 - 5 mA DC (Input resistance 1000 Ω)
- D: 0 - 20 mA DC (Input resistance 50 Ω)
- E: 0 - 16 mA DC (Input resistance 62.5 Ω)
- F: 0 - 10 mA DC (Input resistance 100 Ω)
- G: 0 - 1 mA DC (Input resistance 1000 Ω)
- H: 10 - 50 mA DC (Input resistance 100 Ω)
- J: 0 - 10 μA DC (Input resistance 1000 Ω)
- K: 0 - 100 μA DC (Input resistance 1000 Ω)
- GW: -1 - +1 mA DC (Input resistance 1000 Ω)
- FW: -10 - +10 mA DC (Input resistance 100 Ω)
- Z: Specify current (See INPUT SPECIFICATIONS)

##### Voltage

- 1: 0 - 10 mV DC (Input resistance 10 kΩ min.)
- 15: 0 - 50 mV DC (Input resistance 10 kΩ min.)

- 16: 0 - 60 mV DC (Input resistance 10 kΩ min.)
- 2: 0 - 100 mV DC (Input resistance 100 kΩ min.)
- 3: 0 - 1 V DC (Input resistance 1 MΩ min.)
- 4: 0 - 10 V DC (Input resistance 1 MΩ min.)
- 5: 0 - 5 V DC (Input resistance 1 MΩ min.)
- 6: 1 - 5 V DC (Input resistance 1 MΩ min.)
- 4W: -10 - +10 V DC (Input resistance 1 MΩ min.)
- 5W: -5 - +5 V DC (Input resistance 1 MΩ min.)
- 0: Specify voltage (See INPUT SPECIFICATIONS)

#### [2] OUTPUT

##### Current

- A: 4 - 20 mA DC (Load resistance 750 Ω max.)
- B: 2 - 10 mA DC (Load resistance 1500 Ω max.)
- C: 1 - 5 mA DC (Load resistance 3000 Ω max.)
- D: 0 - 20 mA DC (Load resistance 750 Ω max.)
- E: 0 - 16 mA DC (Load resistance 900 Ω max.)
- F: 0 - 10 mA DC (Load resistance 1500 Ω max.)
- G: 0 - 1 mA DC (Load resistance 15 kΩ max.)
- Z: Specify current (See OUTPUT SPECIFICATIONS)

##### Voltage

- 1: 0 - 10 mV DC (Load resistance 10 kΩ min.)
- 2: 0 - 100 mV DC (Load resistance 100 kΩ min.)
- 3: 0 - 1 V DC (Load resistance 3000 Ω min.)
- 4: 0 - 10 V DC (Load resistance 10 kΩ min.)
- 5: 0 - 5 V DC (Load resistance 5000 Ω min.)
- 6: 1 - 5 V DC (Load resistance 5000 Ω min.)
- 4W: -10 - +10 V DC (Load resistance 20 kΩ min.)
- 5W: -5 - +5 V DC (Load resistance 10 kΩ min.)
- 0: Specify voltage (See OUTPUT SPECIFICATIONS)

#### [3] POWER INPUT

##### AC Power

- G: 200 V AC
- H: 220 V AC
- J: 240 V AC

##### DC Power

- S: 12 V DC
- R: 24 V DC

#### [4] OPTIONS (multiple selections)

##### Response Time (0 - 90 %)

- blank: Standard ( $\leq 0.5$  sec.)
- /K: Fast Response (Approx. 25 msec.)

##### Standards & Approvals (must be specified)

- /CE: CE marking

#### GENERAL SPECIFICATIONS

Construction: Plug-in

Connection: M3.5 screw terminals

**Screw terminal:** Chromated steel  
**Housing material:** Flame-resistant resin (black)  
**Isolation:** Input to output to power  
**Overrange output:** Approx. -10 to +120 % at 1 - 5 V  
**Zero adjustment:** -5 to +5 % (front)  
**Span adjustment:** 95 to 105 % (front)

## INPUT SPECIFICATIONS

■ **DC Current:**  
 Shunt resistor attached to the input terminals (0.5 W)  
 Specify input resistance value for code Z.

■ **DC Voltage:** -30 - +30 V DC  
**Span:** Min. 3 mV, max. 30 V  
**Offset:** Max. 1.5 times span

**Input resistance**  
 Span 3 - 10 mV :  $\geq 10 \text{ k}\Omega$   
 Span 10 - 100 mV :  $\geq 10 \text{ k}\Omega$   
 Span 0.1 - 1 V :  $\geq 100 \text{ k}\Omega$   
 Span  $\geq 1 \text{ V}$  :  $\geq 1 \text{ M}\Omega$

## OUTPUT SPECIFICATIONS

■ **DC Current:** 0 - 20 mA DC  
**Minimum span:** 1 mA  
**Offset:** Max. 1.5 times span  
**Load resistance:** Output drive 15 V max.

■ **DC Voltage:** -10 - +12 V DC  
**Minimum span:** 5 mV  
**Offset:** Max. 1.5 times span  
**Load resistance:** Output drive 1 mA max. at  $\geq 3 \text{ V}$

## INSTALLATION

**Power input**

- **AC:** Operational voltage range: rating  $\pm 10 \%$ , 50/60  $\pm 2$  Hz, approx. 2 VA
- **DC:** Operational voltage range: rating  $\pm 10 \%$ , ripple 10 %p-p max., approx. 2 W (80 mA at 24 V)

**Operating temperature:** -5 to +55°C (23 to 131°F)  
**Operating humidity:** 30 to 90 %RH (non-condensing)  
**Mounting:** Surface or DIN rail  
**Weight:** 400 g (0.88 lb)

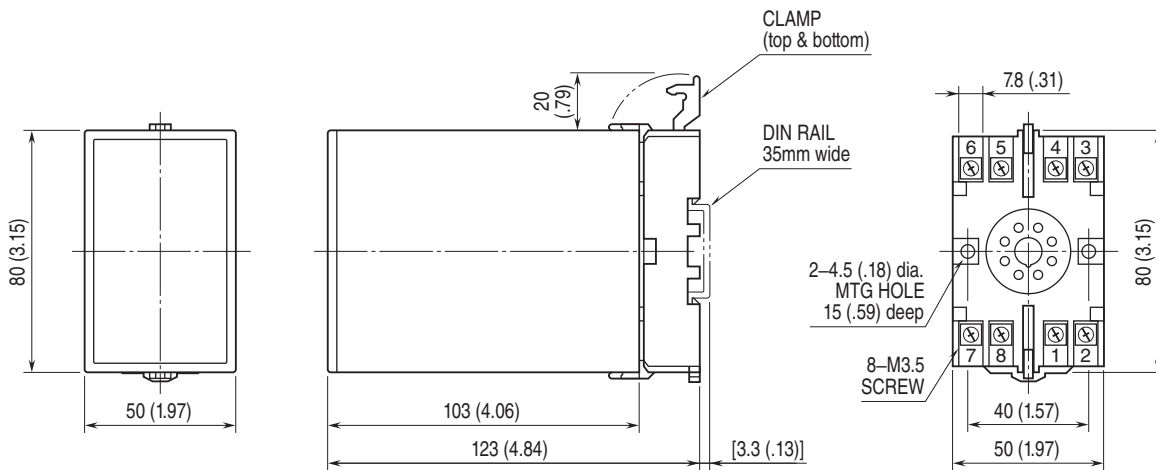
## PERFORMANCE in percentage of span

**Accuracy:**  $\pm 0.1 \%$   
**Temp. coefficient:**  $\pm 0.02 \%/^{\circ}\text{C}$  ( $\pm 0.01 \%/^{\circ}\text{F}$ )  
**Line voltage effect:**  $\pm 0.1 \%$  over voltage range  
**Insulation resistance:**  $\geq 100 \text{ M}\Omega$  with 500 V DC  
**Dielectric strength:**  
 1350 V AC @1 minute (input to output)  
 2300 V AC @1 minute (input or output to power to ground)

## STANDARDS & APPROVALS

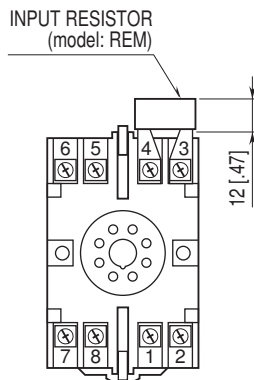
**EU conformity:**  
 EMC Directive  
 EMI EN 61000-6-4  
 EMS EN 61000-6-2  
 Low Voltage Directive  
 EN 61010-1  
 Installation Category II  
 Pollution Degree 2  
 Input or output to power: Reinforced insulation (300 V)  
 Input to output: Basic insulation (300 V)  
 RoHS Directive

## EXTERNAL DIMENSIONS unit: mm [inch]



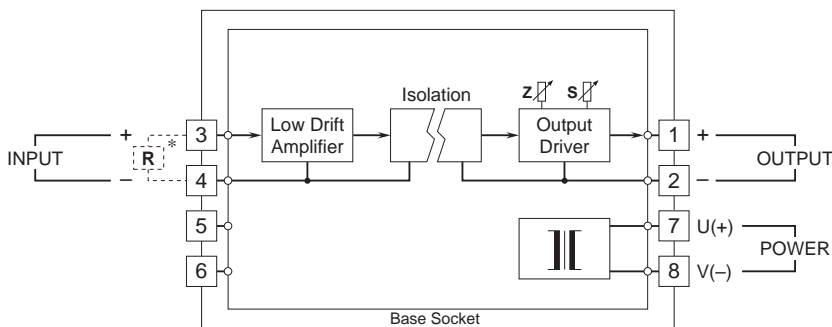
• When mounting, no extra space is needed between units.

## TERMINAL ASSIGNMENTS unit: mm [inch]



Input shunt resistor attached for current input.

## SCHEMATIC CIRCUITRY & CONNECTION DIAGRAM



\*Input shunt resistor attached for current input.



Specifications are subject to change without notice.