

LOW PROFILE

RLS Series

5-150 Ton

Single-Acting, Spring-Return



IDEAL FOR CONFINED AREAS FROM 1⁵/₈" TO 4" CLEARANCE.

- Cylinder body, piston and gland nut "Power Tech" treated for corrosion and abrasion resistance (see page 8).
- Standard domed piston rod (5-30 ton) or swivel cap (50-150 ton) minimize effects of off-center loading.
- Unique heavy duty spring provides fast piston return.
- A 9796 3/8" NPTF female half coupler is standard with each cylinder (the RLS50 has a 3/8" coupler which is not angled). Oil ports are 3/8" NPTF.
- Couplers on all cylinders, except RLS50, are angled upward for extra clearance.



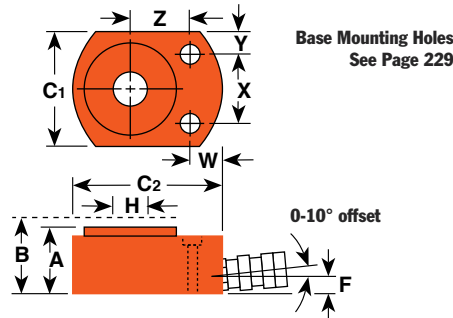
RLS100



ASME B30.1
10,000 PSI



RLS1000S



Cyl. Cap. (tons)	Stroke (in.)	Order No.	Oil Cap. (cu. in.)	A	B	C1 & C2	F	H	W	X	Y	Z	Bore Dia. (in.)	Cyl. Area (sq. in.)	Eff. at Cap. (psi)	Tons at 10,000 psi	Prod. Wt. (lbs.)
				Re-tracted Height (in.)	Ex-tended Height (in.)	Outside Dia. (in.)	Base to Port (in.)	Piston Rod Dia. (in.)	Mounting Hole Location (in.)								
5	9/16	RLS50	.62	1 ⁵ / ₈	2 ³ / ₁₆	1 ⁵ / ₈ X 2 ⁹ / ₁₆	3/4	5/8	3/4	1 ¹ / ₈	1/4	1	1 ¹ / ₈	.994	10,061	4.97	2.2
10	7/16	RLS100	1.0	1 ³ / ₄	2 ³ / ₁₆	2 ³ / ₁₆ X 3 ¹ / ₄	5/8	3/4	1 ¹ / ₁₆	1 ⁷ / ₁₆	3/8	1 ⁵ / ₁₆	1 ¹¹ / ₁₆	2.236	8,943	11.18	3.3
20	7/16	RLS200	2.0	2	2 ⁷ / ₁₆	3 X 4	2 ¹ / ₃₂	1 ¹ / ₈	2 ³ / ₃₂	1 ¹⁵ / ₁₆	1 ⁷ / ₃₂	1 ⁹ / ₁₆	2 ³ / ₈	4.430	9,029	22.15	5.6
30	1/2	RLS300	3.2	2 ⁵ / ₁₆	2 ¹³ / ₁₆	3 ³ / ₄ X 4 ¹ / ₂	2 ³ / ₃₂	1 ³ / ₈	1 ³ / ₁₆	2 ¹ / ₁₆	2 ⁷ / ₃₂	1 ³ / ₄	2 ⁷ / ₈	6.492	9,242	32.46	8.6
50	5/8	RLS500S	6.0	2 ⁵ / ₈	3 ¹ / ₄	4 ¹ / ₂ X 5 ¹ / ₂	2 ⁷ / ₃₂	1 ³ / ₄	1 ⁵ / ₁₆	2 ⁵ / ₈	1 ⁵ / ₁₆	2 ¹ / ₈	3 ¹ / ₂	9.621	10,394	48.10	14.0
75	5/8	RLS750S	9.9	3 ¹ / ₈	3 ³ / ₄	5 ¹ / ₃₂ X 6 ¹ / ₂	1	2 ¹ / ₈	1 ⁵ / ₁₆	3	1 ¹⁷ / ₆₄	2 ¹⁹ / ₃₂	4 ¹ / ₂	15.904	9,431	79.52	23.3
100	5/8	RLS1000S	12.3	3 ³ / ₈	4	6 X 7	1	2 ¹ / ₂	1 ³ / ₁₆	3	1 ¹ / ₂	2 ¹³ / ₁₆	5	19.635	10,186	98.17	30.0
150	9/16	RLS1500S	17.2	4	4 ⁹ / ₁₆	7 ¹ / ₂ X 8 ¹ / ₂	1 ⁵ / ₁₆	3	1 ⁵ / ₁₆	4 ⁵ / ₈	1 ⁷ / ₁₆	3 ¹ / ₈	6 ¹ / ₄	30.680	9,778	153.39	52.0