

Product Substitution Details - Safety Modules



Preventa

Safety Solutions

Schneider
 **Electric**



Introduction	3
Product Substitution List	4
XPS-AL	6
XPS-AX	8
XPS-AS	10
XPS-AM	18
XPS-AP	26
XPS-ASF	30
XPS-AMF	33
XPS-APF	36
XPS-CE	42
GSKC	44
GSKA	45
GNS	46
GTS, GEZ, GEZ-LB	47
GSK3LB	48

**Stop of commercialisation
is 30.06.2005**



Introduction

This document is intended as a guide for substitution of obsolete products in order to make the transition to the new Preventa range as easy as possible. In some customer applications, the recommended replacement given in this document may not be the most suitable.

It should also be noted that some of the replacement products are the closest equivalent and not exact replacements. This may mean, for example, that the customer's electrical wiring or voltage supply to the monitor may need to be changed. It may also be possible that, depending on the safety function, more than one monitor in the current range is suitable as a replacement. In this case, it is then up to the customer to decide which reference is most suited to the application.

Stop of commercialisation is 30.06.2005



Preventa Product Substitution List

Reference	Safety Category	Obsolete Product										Closest Equivalent Existing Product											
		Voltages						No. of Outputs				Reference	Safety Category	Voltages						No. of Outputs			
		24VDC	24VAC	48VDC	48VAC	120VAC	230VAC	NO/STBY	NC/ALTOFF	StitchStae	TimeDelay			24VDC	24VAC	48VDC	48VAC	120VAC	230VAC	NO/STBY	NC/ALTOFF	StitchStae	TimeDelay
XPS-AL	3	●	●	-	-	●	●	2	-	-	-	XPS-AC	3	●	●	-	-	●	●	3	-	1	-
XPS-AX	3							3	1	-	-	XPS-AF	4	●	-	-	-	-	-	3	-	-	-
XPS-AS	4	●	●	●	●	●	●	2	-	-	-	XPS-AK	4	●	●	-	-	●	●	3	1	4	-
XPS-AM	4	●	●	●	●	●	●	3	1	-	-	XPS-AF	4							3	-	-	-
XPS-AP	4	●	●	●	●	●	●	6	1	-	-	XPS-AK	4	●	●	-	-	●	●	3	1	4	-
XPS-ASF	4	●	●	●	●	●	●	2	-	2	-	XPS-AR	4	●	●	-	-	●	●	7	1	4	-
XPS-AMF	4	●	●	●	●	●	●	3	1	2	-	XPS-AK	4	●	●	-	-	●	●	3	1	4	-
XPS-APF	4	●	●	●	●	●	●	6	1	2	-	XPS-AR	4	●	●	-	-	●	●	7	1	4	-
XPS-CE	2	●	●	-	-	●	●	2	-	1	-	XPS-CM	2	●	-	-	-	-	-	2	-	4	-

Stop of commercialisation is 30.06.2005



XPS-AL Replaced by XPS-AC

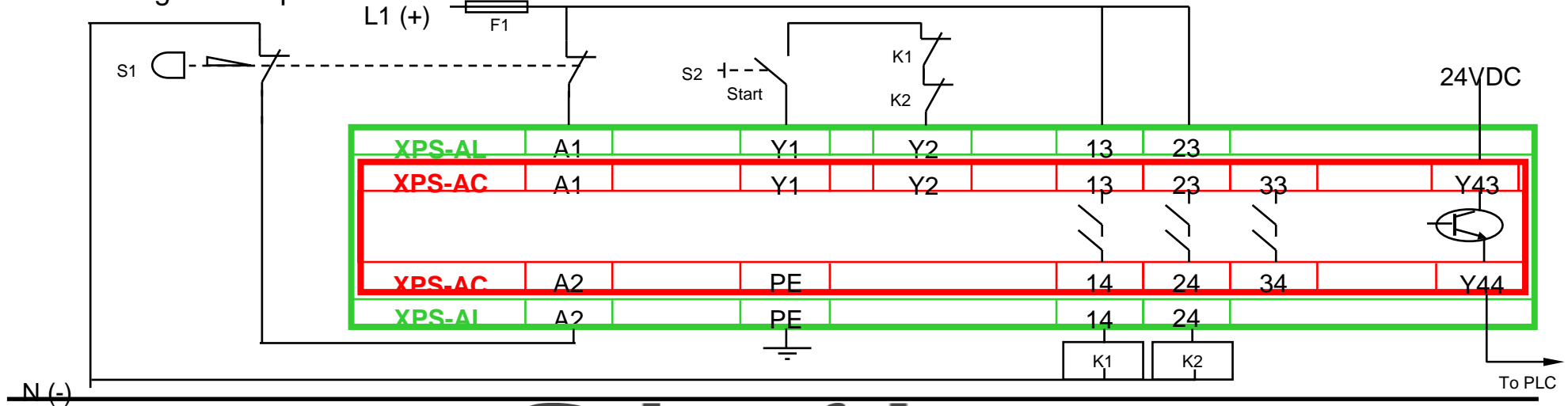


Differentiation

- XPS-AC has one extra N/O safety output
- XPS-AC has a solid state output for PLC signalling
- XPS-AC has choice of removable plug terminals

Schematic Comparison

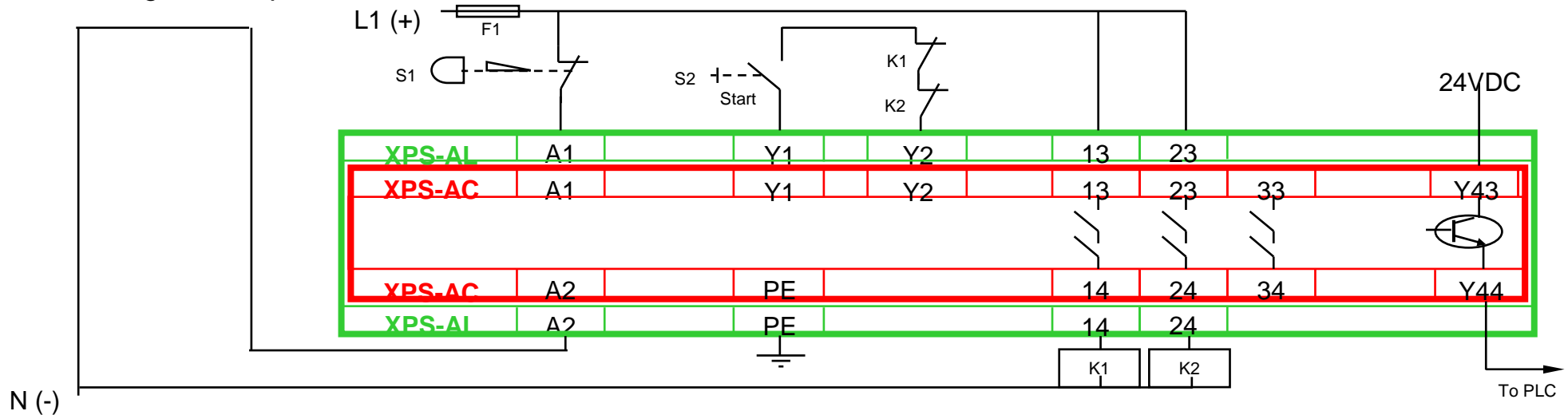
Monitoring of E-stop with 2N/C contacts





XPS-AL Replaced by XPS-AC

Monitoring of E-stop with 1N/C contact



Cross Reference Table

Supply Voltage	Obsolete Reference	Existing Reference *
24VAC/DC	XPS-AL5110	XPS-AC5121
48VAC	-	XPS-AC1321
120VAC	XPS-AL3410	XPS-AC3421
230VAC	XPS-AL3710	XPS-AC3721

*add P to reference for removable plug terminals



XPS-AX Replaced by XPS-AC

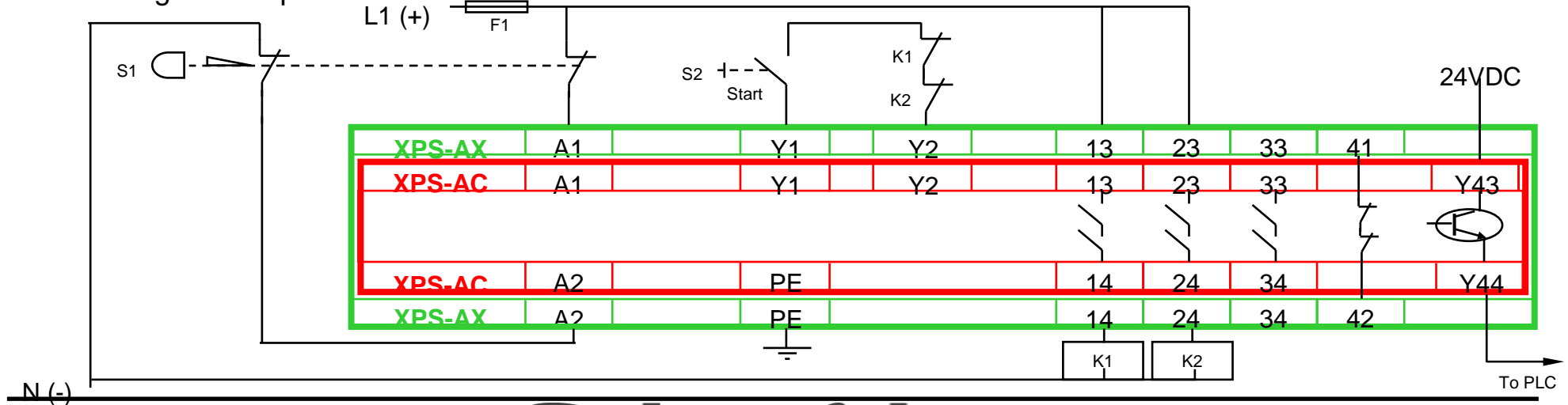


Differentiation

- XPS-AC has a solid state output for PLC signalling
- XPS-AX has one additional N/C output
- XPS-AC has choice of removable plug terminals
- XPS-AC has larger range of supply voltage selection

Schematic Comparison

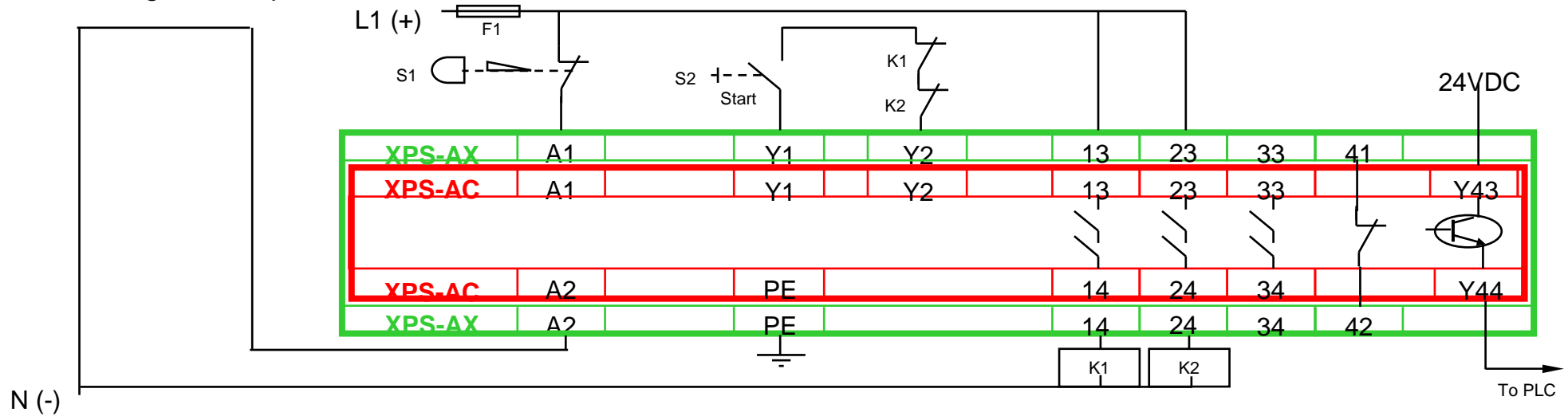
Monitoring of E-stop with 2N/C contacts





XPS-AX Replaced by XPS-AC

Monitoring of E-stop with 1N/C contact



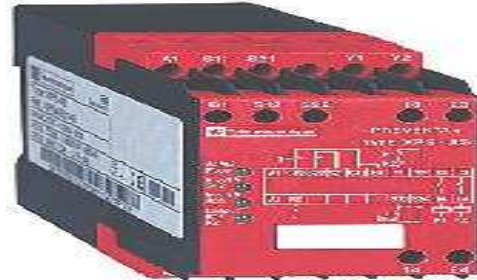
Cross Reference Table

Supply Voltage	Obsolete Reference	Existing Reference *
24VAC/DC	XPS-AX5120	XPS-AC5121
48VAC	-	XPS-AC1321
120VAC	-	XPS-AC3421
230VAC	-	XPS-AC3721

*add P to reference for removable plug terminals



XPS-AS Replaced by XPS-AF



Differentiation

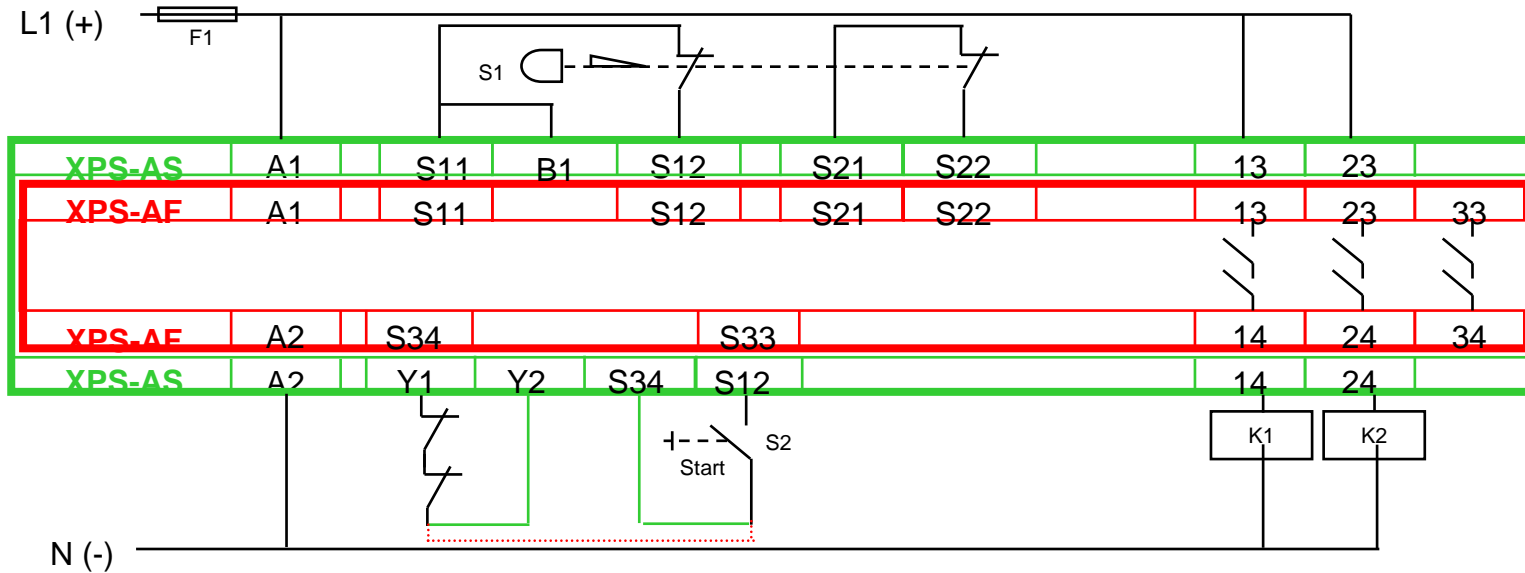
- XPS-AF has one extra N/O safety output
- XPS-AF has choice of removable plug terminals
- XPS-AF has 22.5mm width
- XPS-AS has larger range of voltage selection
- XPS-AS can be used for Type III A two-hand control monitoring



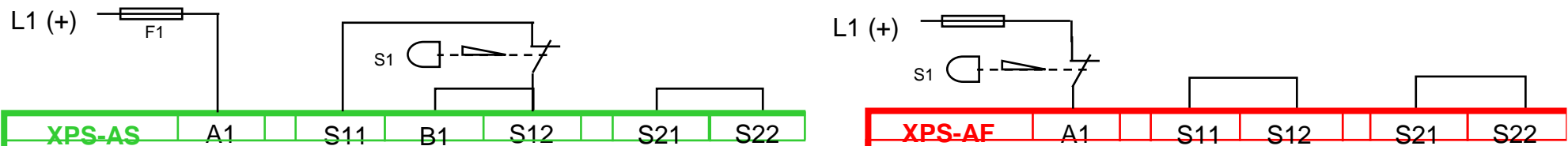
XPS-AS Replaced by XPS-AF

Schematic Comparison

Monitoring of E-stop with 2N/C contacts



Monitoring of E-stop with 1N/C contact

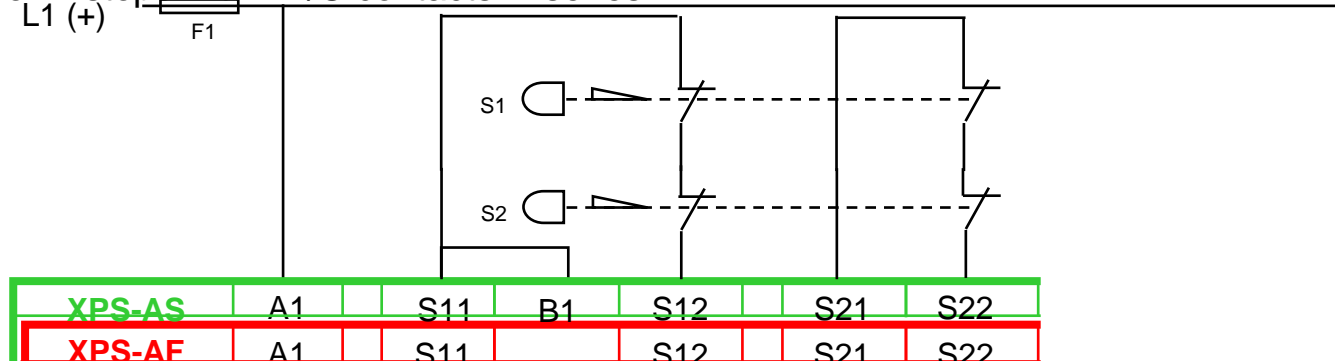




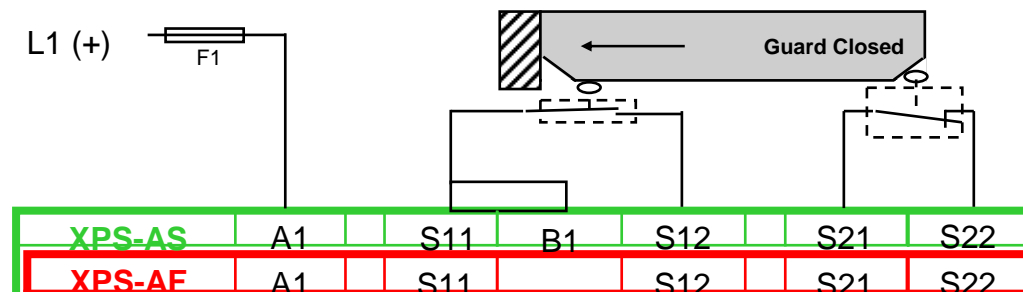
XPS-AS Replaced by XPS-AF

Schematic Comparison

Monitoring of E-stops with 2N/C contacts in series



Monitoring of a movable guard associated with 2 limit switches with 1 contact each





XPS-AS Replaced by XPS-AF

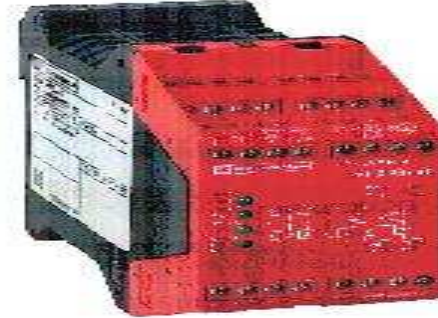
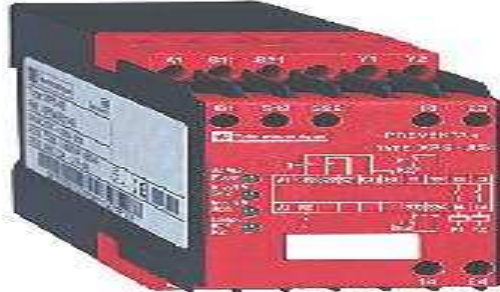
Cross Reference Table

Supply Voltage	Obsolete Reference	Existing Reference *
24VAC/DC	XPS-AS5140	XPS-AF5130
48VAC/DC	XPS-AS5340	-
120VAC	XPS-AS3440	-
230VAC	XPS-AS3740	-

*add P to reference for removable plug terminals



XPS-AS Replaced by XPS-AK



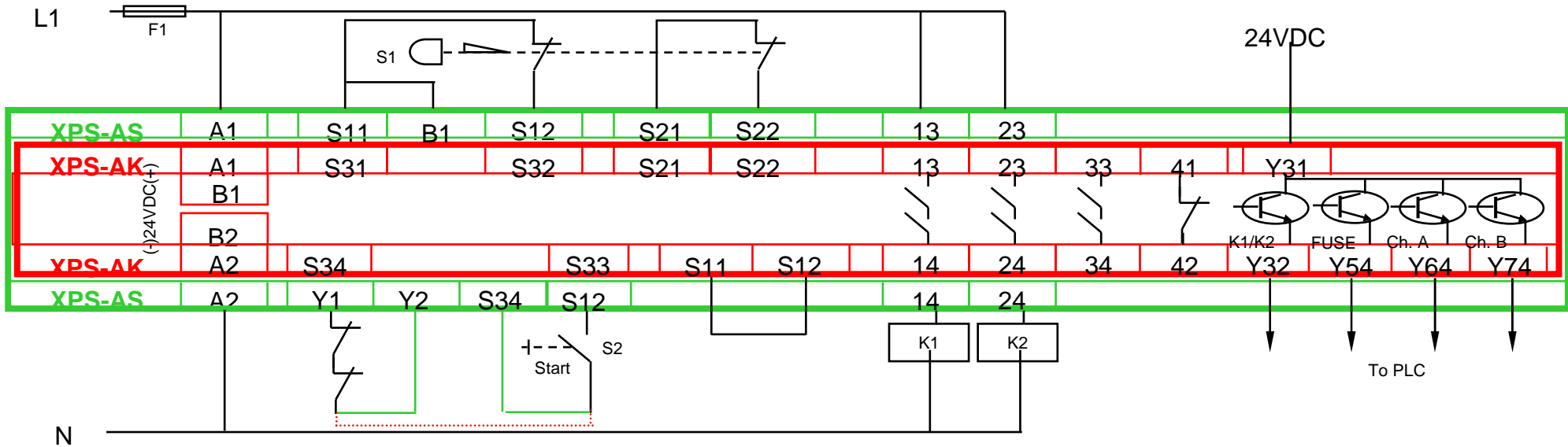
Differentiation

- XPS-AK has 1 extra N/O safety output
- XPS-AK has 1 extra additional N/C output
- XPS-AK has 4 solid state output for PLC signalling
- XPS-AK has choice of removable plug terminals
- XPS-AS can be used for Type III A two-hand control monitoring

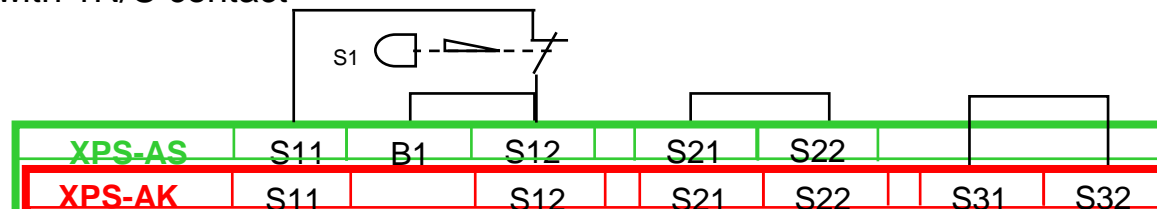


XPS-AS Replaced by XPS-AK

Monitoring of E-stop with 2N/C contacts



Monitoring of E-stop with 1N/C contact

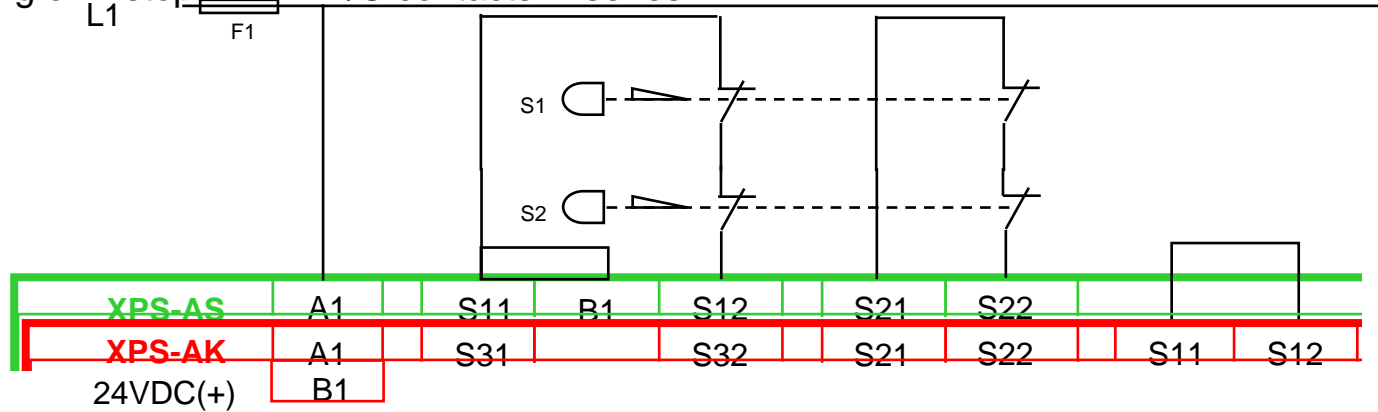




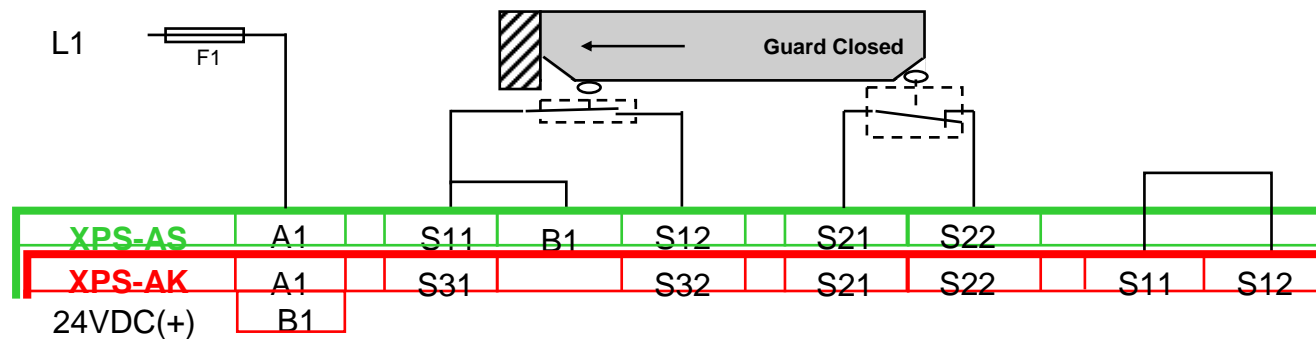
XPS-AS Replaced by XPS-AK

Schematic Comparison

Monitoring of E-stops with 2N/C contacts in series



Monitoring of a movable guard associated with 2 limit switches with 1 contact each





XPS-AS Replaced by XPS-AK

Cross Reference Table

Supply Voltage	Obsolete Reference	Existing Reference *
24VAC/DC	XPS-AS5140	XPS-AK311144
48VAC/DC	XPS-AS5340	-
120VAC	XPS-AS3440	XPS-AK351144
230VAC	XPS-AS3740	XPS-AK371144
*add P to reference for removable plug terminals		



XPS-AM Replaced by XPS-AF



Differentiation

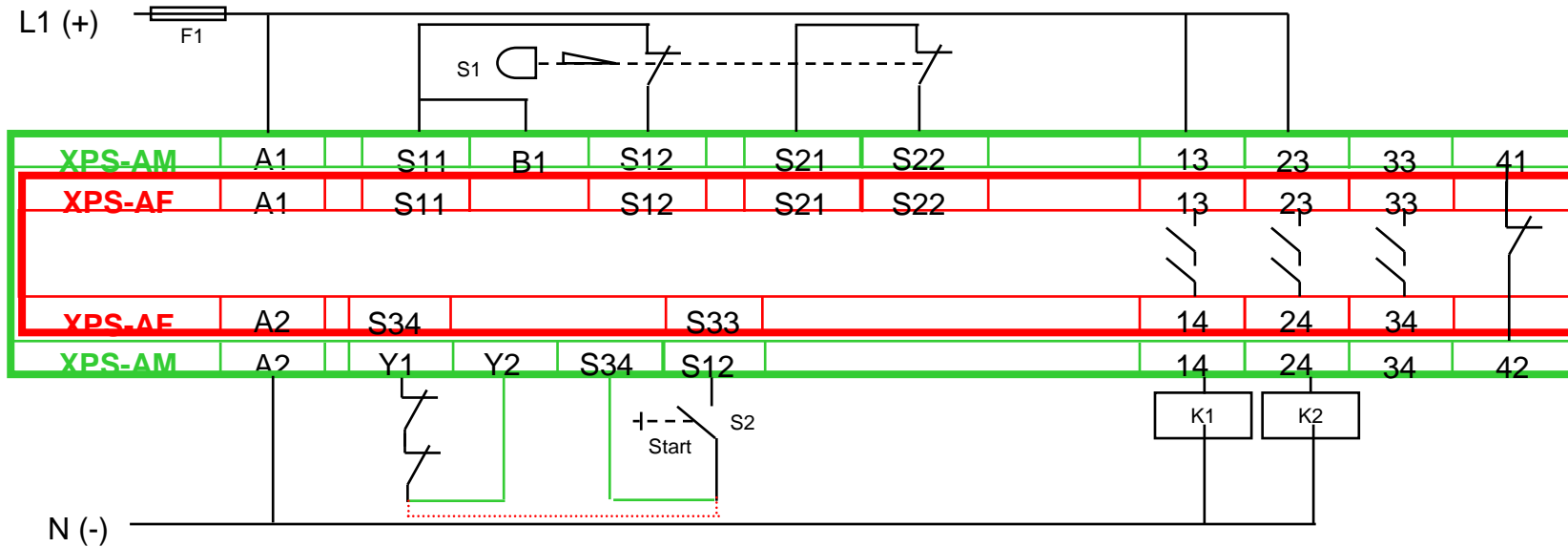
- XPS-AF has choice of removable plug terminals
- XPS-AF has 22.5mm width
- XPS-AM has 1 extra additional N/C output
- XPS-AM has larger range of supply voltage selection
- XPS-AM can be used for Type III A two-hand control monitoring



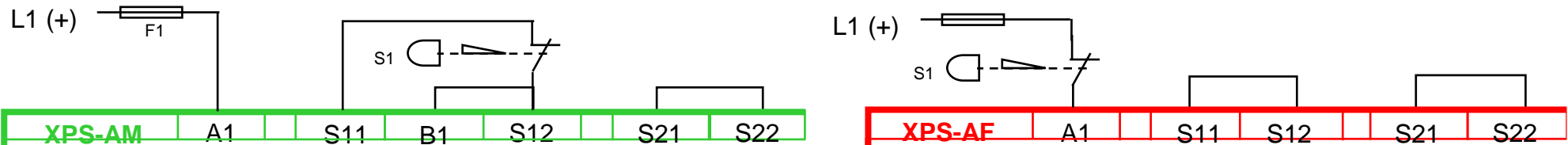
XPS-AM Replaced by XPS-AF

Schematic Comparison

Monitoring of E-stop with 2N/C contacts



Monitoring of E-stop with 1N/C contact

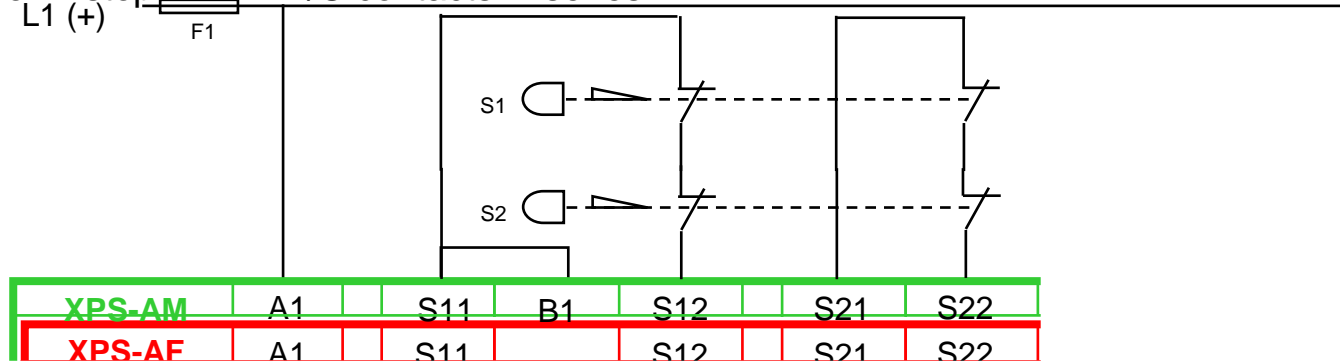




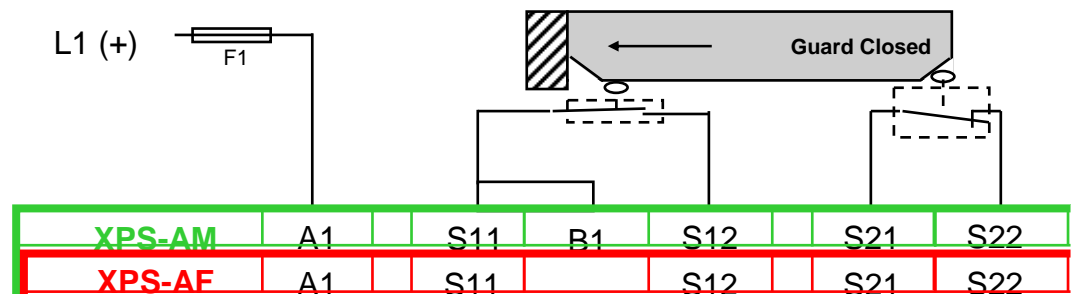
XPS-AM Replaced by XPS-AF

Schematic Comparison

Monitoring of E-stops with 2N/C contacts in series



Monitoring of a movable guard associated with 2 limit switches with 1 contact each





XPS-AM Replaced by XPS-AF

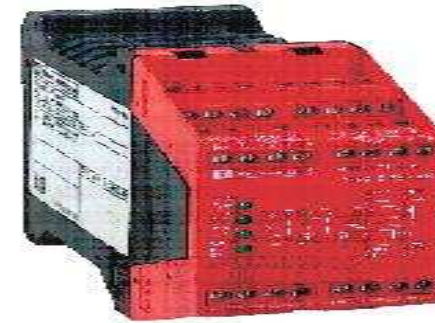
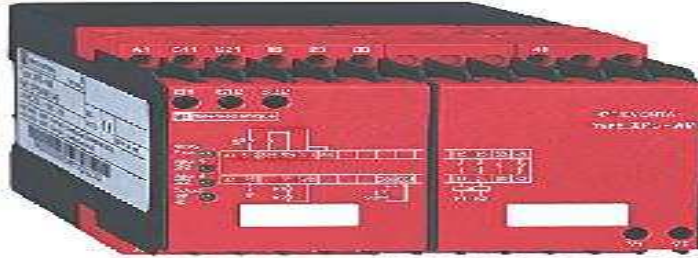
Cross Reference Table

Supply Voltage	Obsolete Reference	Existing Reference *
24VAC/DC	XPS-AM5140	XPS-AF5130
48VAC/DC	XPS-AM5340	-
120VAC	XPS-AM3440	-
230VAC	XPS-AM3740	-

*add P to reference for removable plug terminals



XPS-AM Replaced by XPS-AK



Differentiation

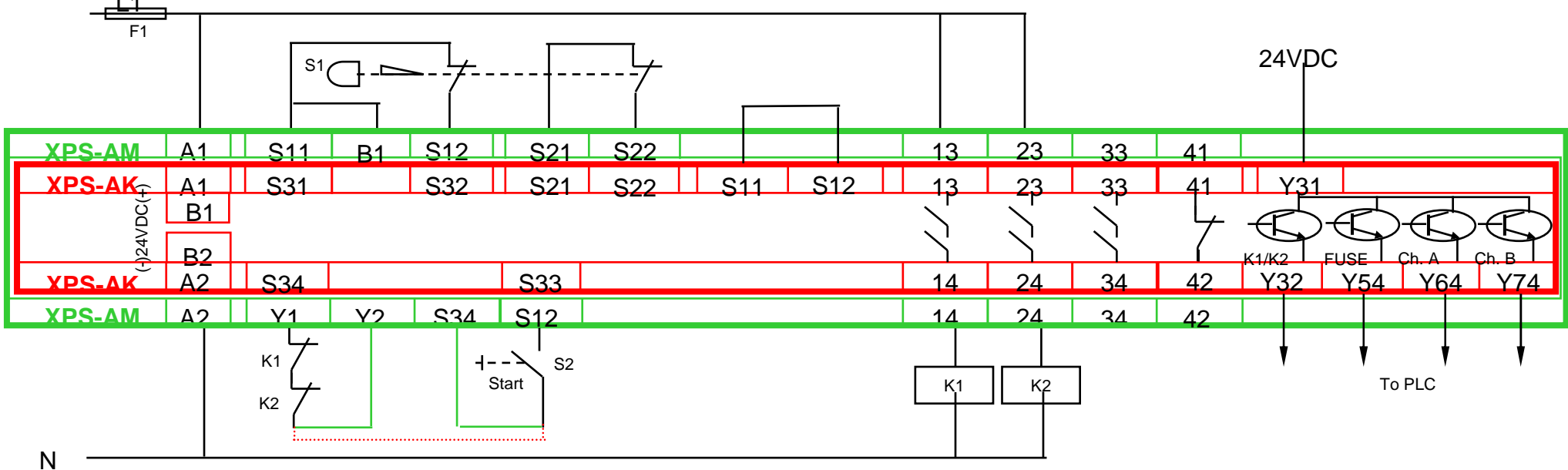
- XPS-AK has 4 solid state output for PLC signalling
- XPS-AK has choice of removable plug terminals
- XPS-AK has 45mm width
- XPS-AM can be used for Type III A two-hand control monitoring



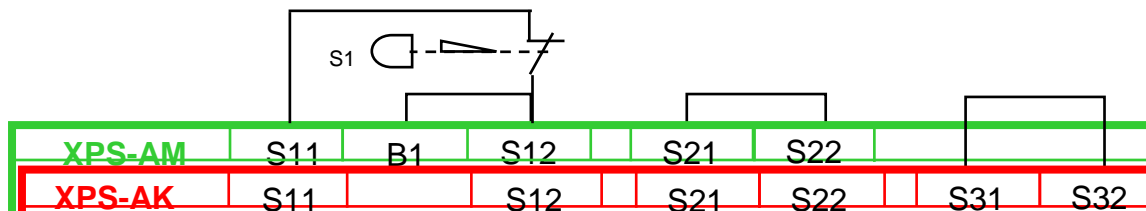
XPS-AM Replaced by XPS-AK

Schematic Comparison

Monitoring of E-stop with 2N/C contacts



Monitoring of E-stop with 1N/C contact

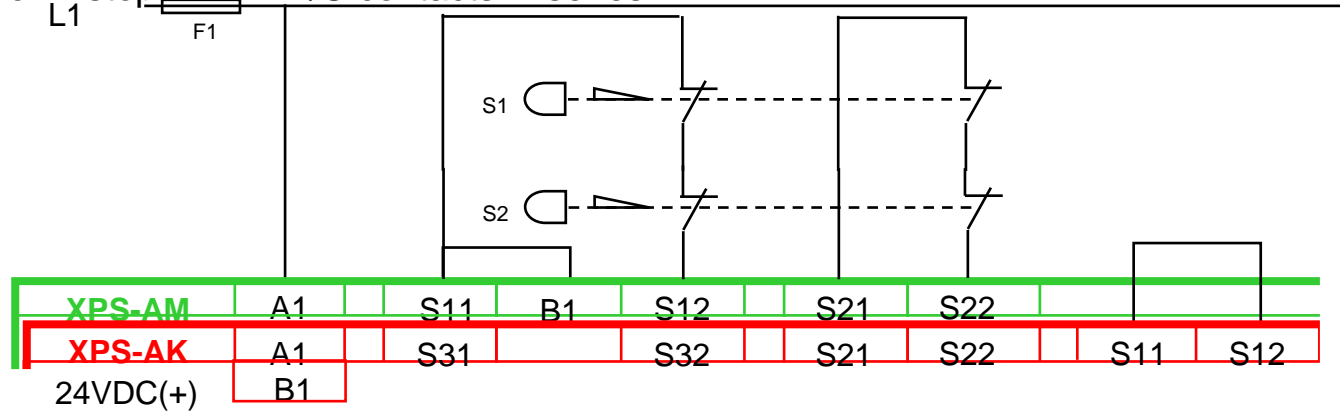




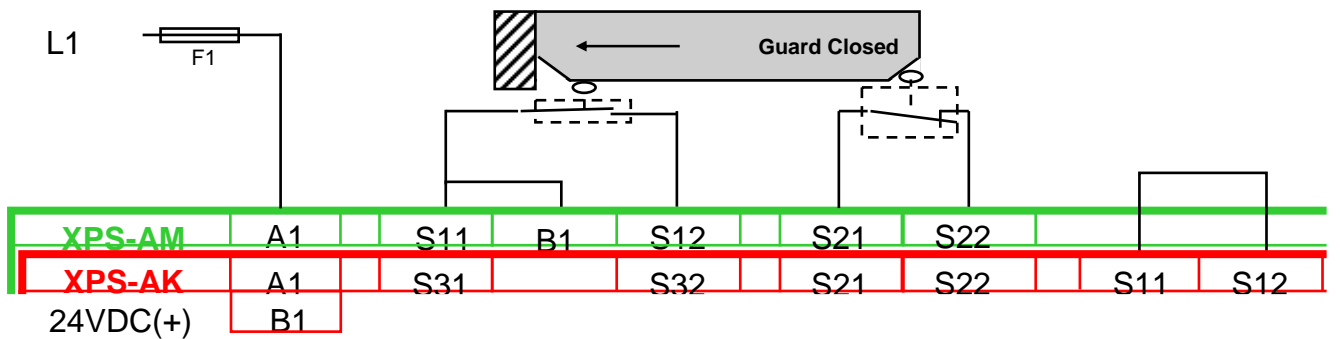
XPS-AM Replaced by XPS-AK

Schematic Comparison

Monitoring of E-stops with 2N/C contacts in series



Monitoring of a movable guard associated with 2 limit switches with 1 contact each





XPS-AM Replaced by XPS-AK

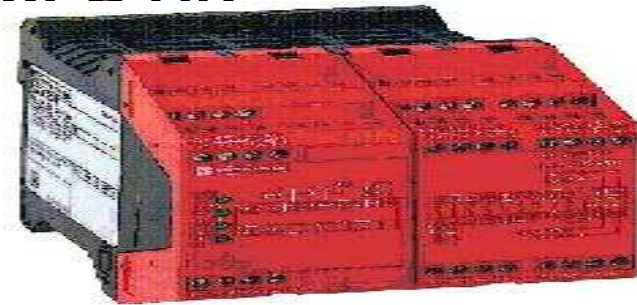
Cross Reference Table

Supply Voltage	Obsolete Reference	Existing Reference *
24VAC/DC	XPS-AM5140	XPS-AK311144
48VAC/DC	XPS-AM5340	-
120VAC	XPS-AM3440	XPS-AK351144
230VAC	XPS-AM3740	XPS-AK371144

*add P to reference for removable plug terminals



XPS-AP Replaced by XPS-AR



Differentiation

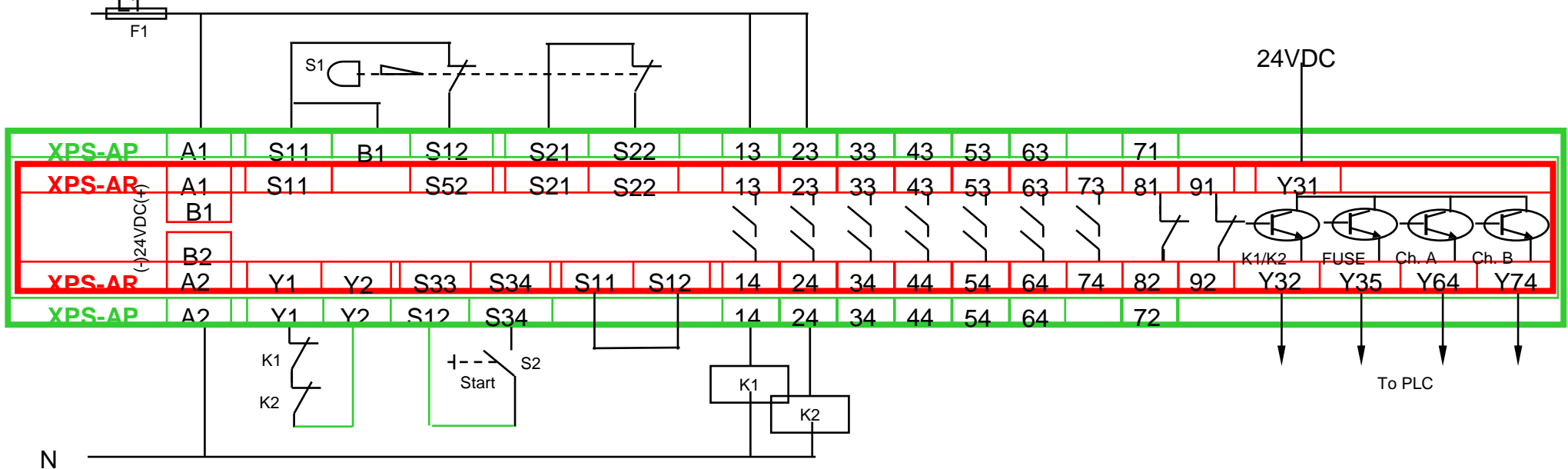
- XPS-AR has one extra N/O safety output
- XPS-AR has one extra additional N/C output
- XPS-AR has 4 solid state output for PLC signalling
- XPS-AR has choice of removable plug terminals
- XPS-AP can be used for Type III A two-hand control monitoring



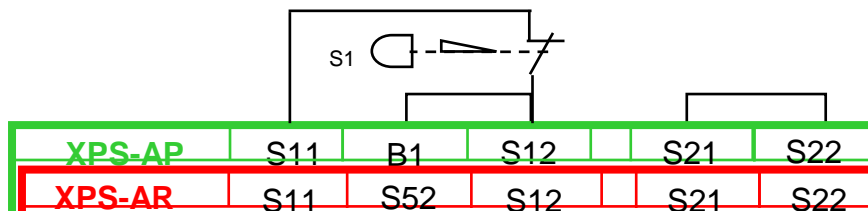
XPS-AP Replaced by XPS-AR

Schematic Comparison

Monitoring of E-stop with 2N/C contacts



Monitoring of E-stop with 1N/C contact

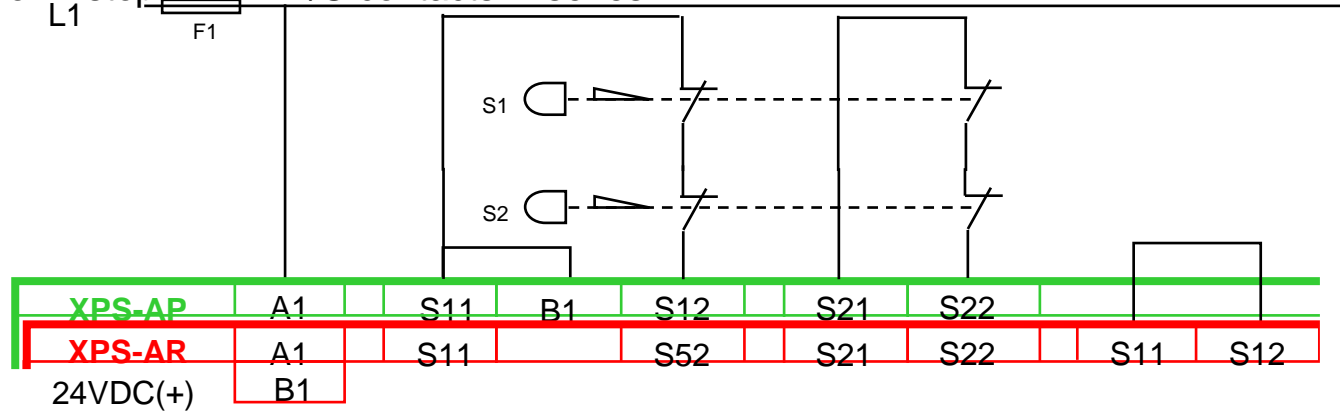




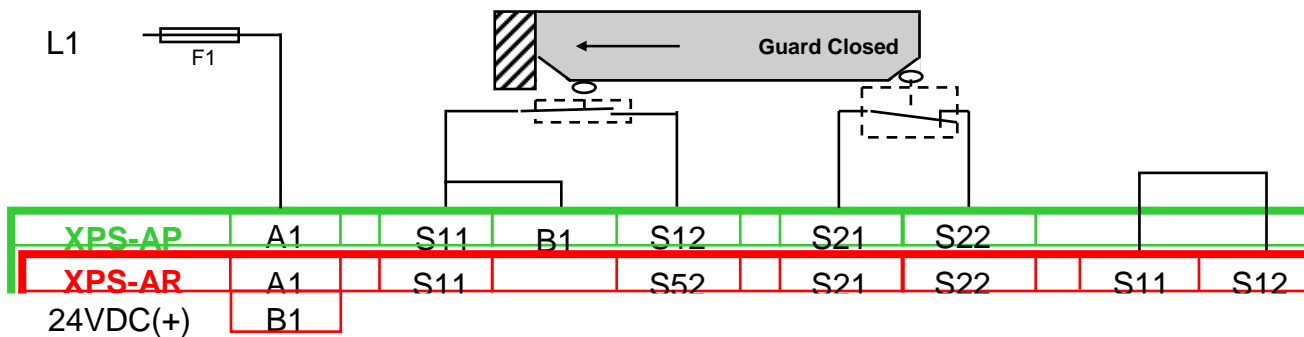
XPS-AP Replaced by XPS-AR

Schematic Comparison

Monitoring of E-stops with 2N/C contacts in series



Monitoring of a movable guard associated with 2 limit switches with 1 contact each





XPS-AP Replaced by XPS-AR

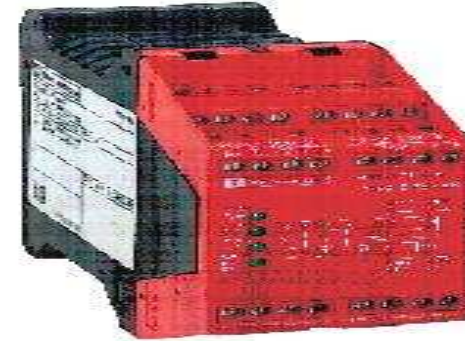
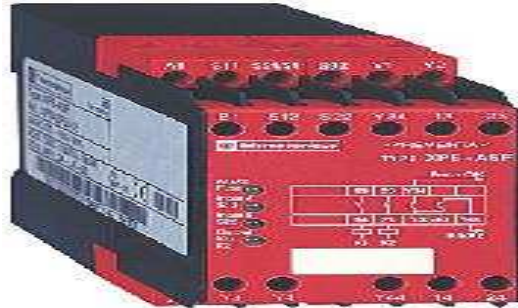
Cross Reference Table

Supply Voltage	Obsolete Reference	Existing Reference *
24VAC/DC	XPS-AP5140	XPS-AR311144
48VAC/DC	XPS-AP5340	-
120VAC	XPS-AP3440	XPS-AR351144
230VAC	XPS-AP3740	XPS-AR371144

*add P to reference for removable plug terminals



XPS-ASF Replaced by XPS-AK



Differentiation

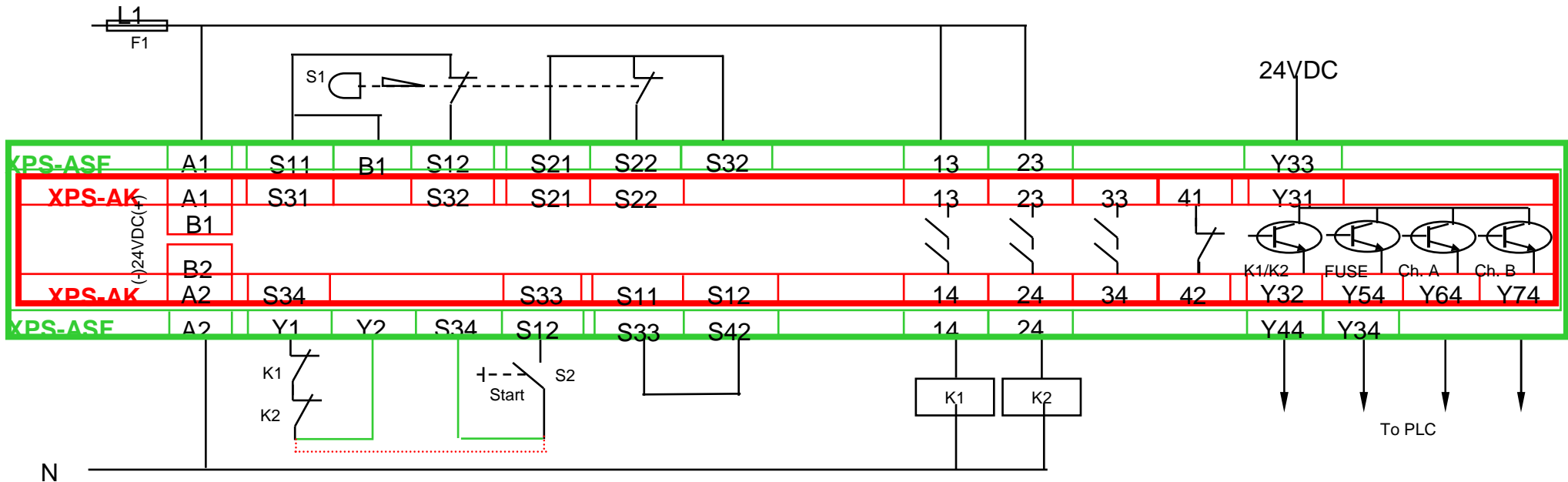
- XPS-AK has one extra N/O safety output
- XPS-AK has one extra additional N/C output
- XPS-AK has 2 extra solid state output for PLC signalling
- XPS-AK has choice of removable plug terminals
- XPS-ASF can be used for Type III A two-hand control monitoring



XPS-ASF Replaced by XPS-AK

Schematic Comparison

Monitoring of E-stop with 2N/C contacts

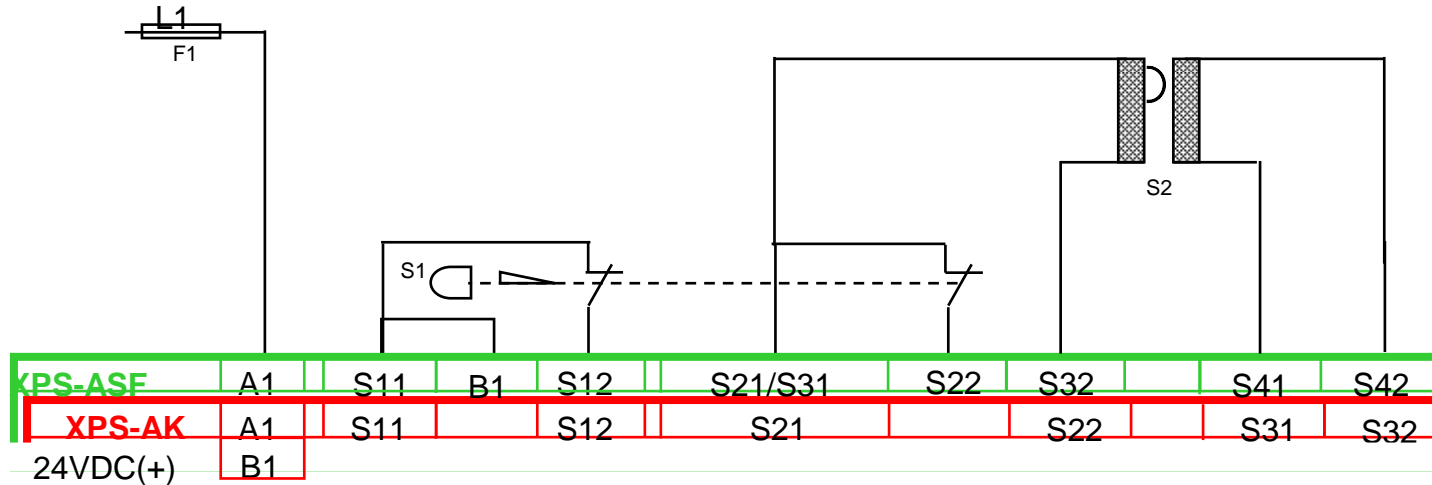




XPS-ASF Replaced by XPS-AK

Schematic Comparison

Monitoring of safety mat with E-stop button



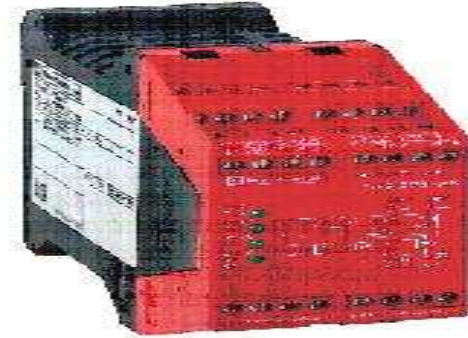
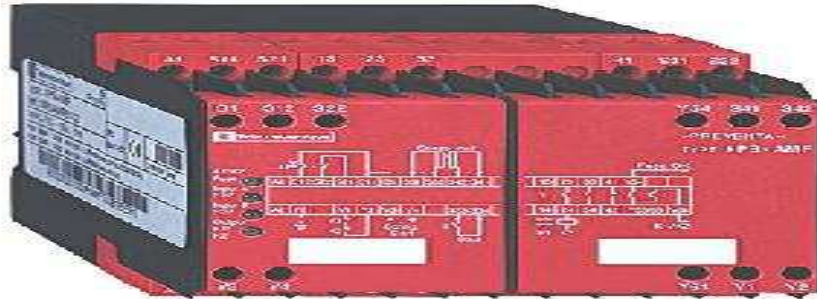
Cross Reference Table

Supply Voltage	Obsolete Reference	Existing Reference *
24VAC/DC	XPS-ASF5142	XPS-AK311144
48VAC/DC	XPS-ASF5342	-
120VAC	XPS-ASF3442	XPS-AK351144
230VAC	XPS-ASF3742	XPS-AK371144

*add P to reference for removable plug terminals



XPS-AMF Replaced by XPS-AK



Differentiation

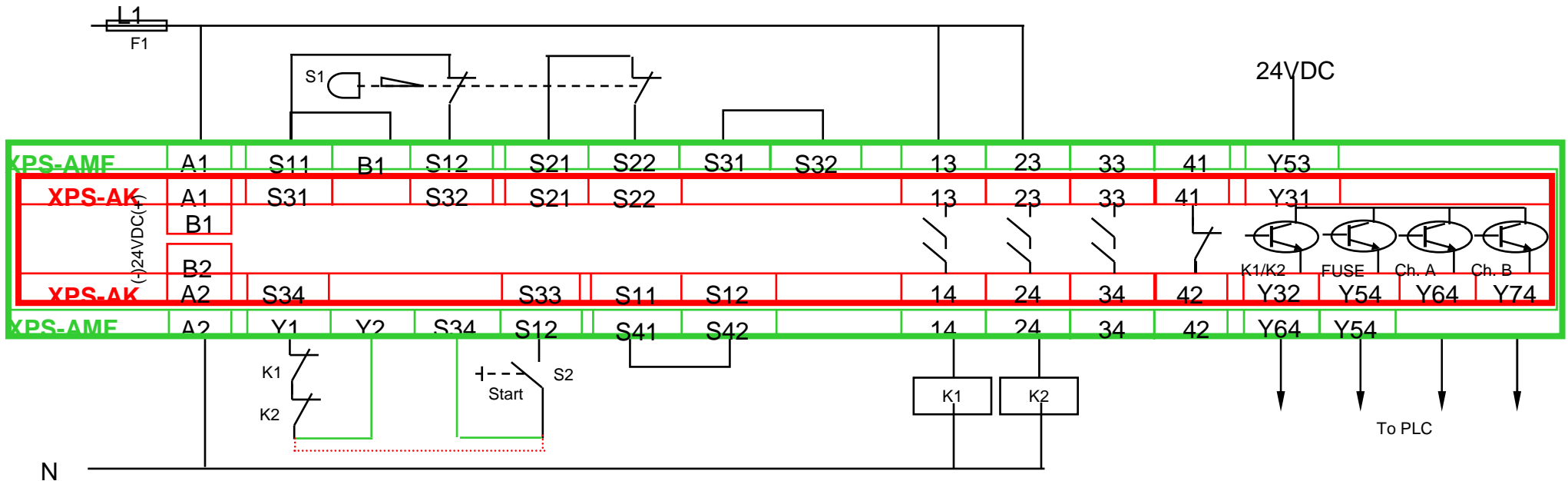
- XPS-AK has 2 extra solid state output for PLC signalling
- XPS-AK has choice of removable plug terminals
- XPS-AMF can be used for Type III A two-hand control monitoring



XPS-AMF Replaced by XPS-AK

Schematic Comparison

Monitoring of E-stop with 2N/C contacts

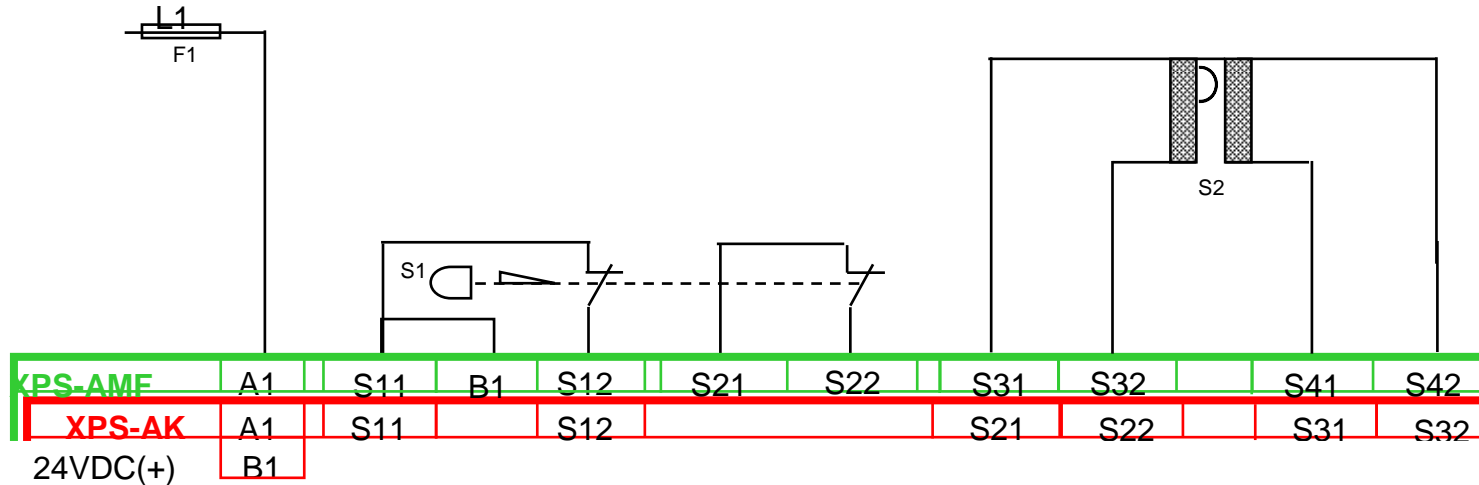




XPS-AMF Replaced by XPS-AK

Schematic Comparison

Monitoring of safety mat with E-stop button



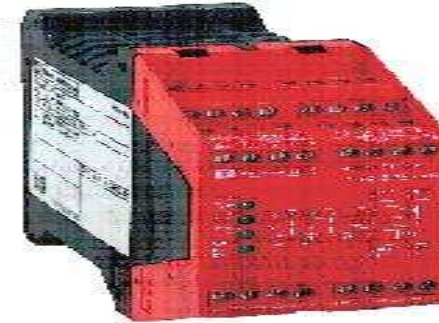
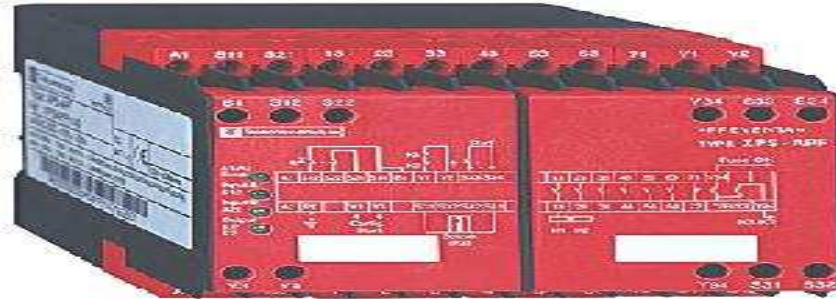
Cross Reference Table

Supply Voltage	Obsolete Reference	Existing Reference *
24VAC/DC	XPS-AMF5142	XPS-AK311144
48VAC/DC	XPS-AMF5342	-
120VAC	XPS-AMF3442	XPS-AK351144
230VAC	XPS-AMF3742	XPS-AK371144

*add P to reference for removable plug terminals



XPS-APF Replaced by XPS-AK



Differentiation

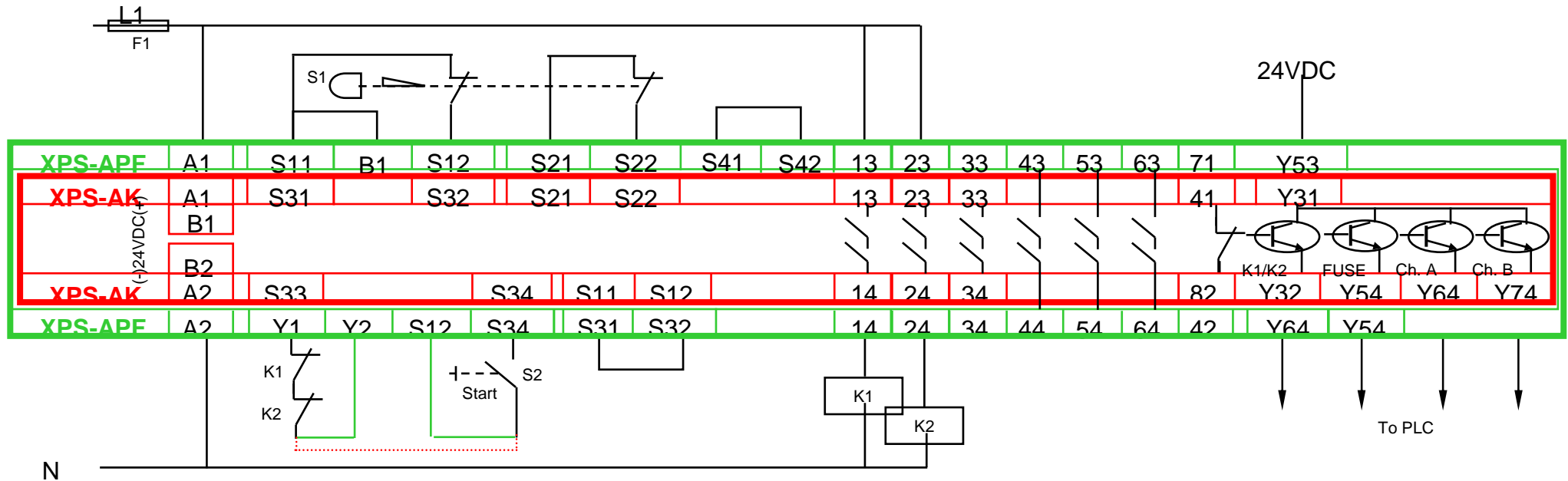
- XPS-AK has 2 extra solid state output for PLC signalling
- XPS-AK has choice of removable plug terminals
- XPS-APF has 3 extra N/O safety outputs
- XPS-APF can be used for Type III A two-hand control monitoring



XPS-APF Replaced by XPS-AK

Schematic Comparison

Monitoring of E-stop with 2N/C contacts

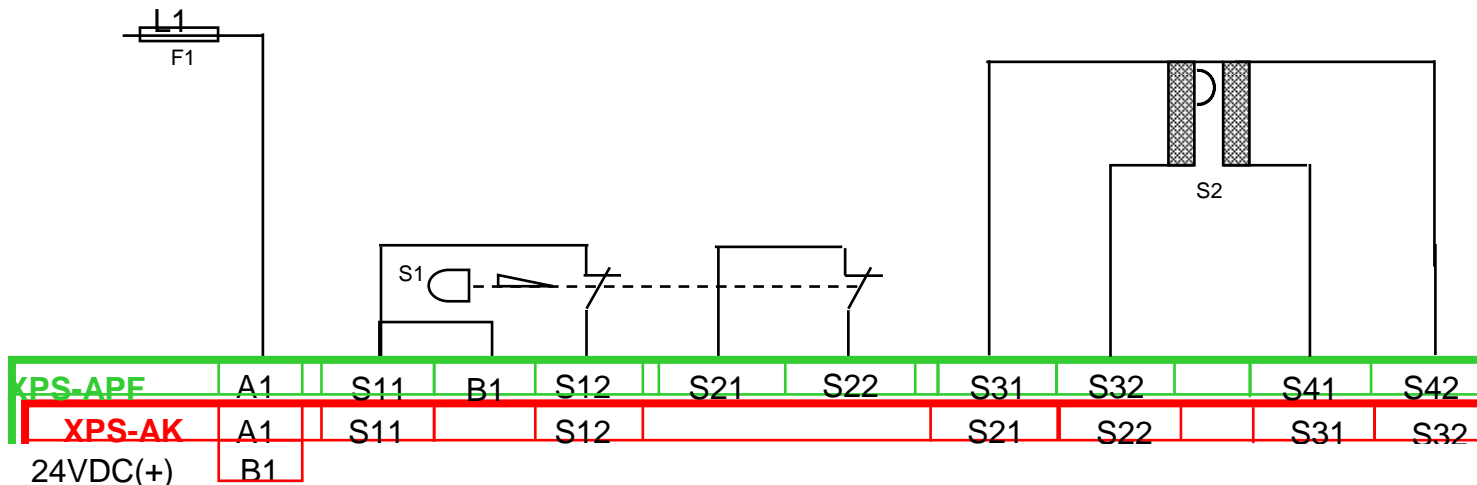




XPS-APF Replaced by XPS-AK

Schematic Comparison

Monitoring of safety mat with E-stop button



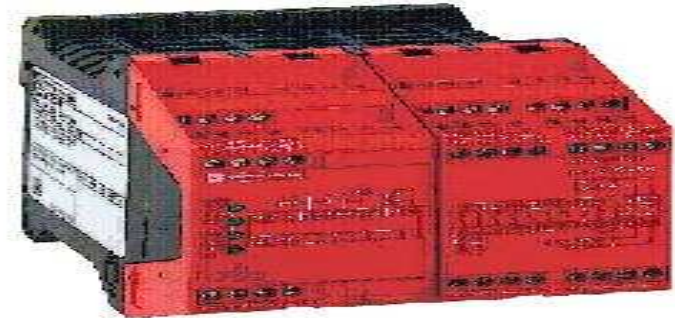
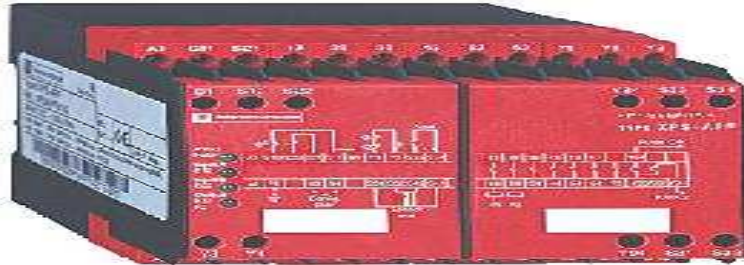
Cross Reference Table

Supply Voltage	Obsolete Reference	Existing Reference *
24VAC/DC	XPS-APF5142	XPS-AK311144
48VAC/DC	XPS-APF5342	-
120VAC	XPS-APF3442	XPS-AK351144
230VAC	XPS-APF3742	XPS-AK371144

*add P to reference for removable plug terminals



XPS-APF Replaced by XPS-AR



Differentiation

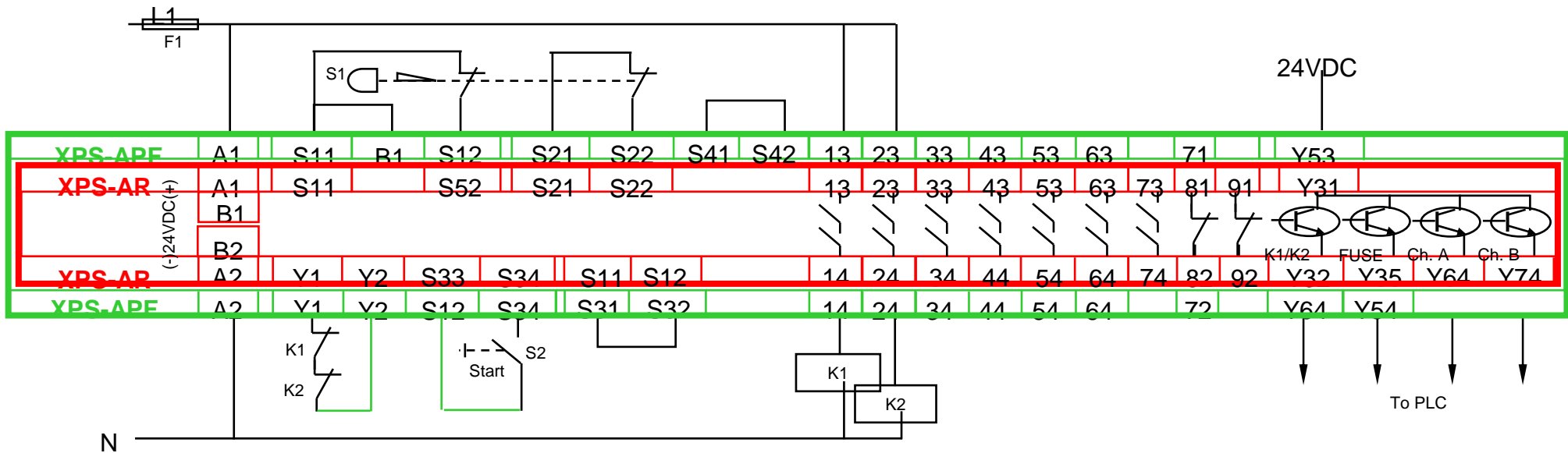
- XPS-AR has 2 extra solid state outputs for PLC signalling
- XPS-AR has choice of removable plug terminals
- XPS-AR has 1 extra N/O safety outputs
- XPS-AR cannot monitor safety mats or edges
- XPS-APF can be used for Type III A two-hand control monitoring



XPS-APF Replaced by XPS-AR

Schematic Comparison

Monitoring of E-stop with 2N/C contacts





XPS-APF Replaced by XPS-AR

Cross Reference Table

Supply Voltage	Obsolete Reference	Existing Reference *
24VAC/DC	XPS-APF5142	XPS-AR311144
48VAC/DC	XPS-APF5342	-
120VAC	XPS-APF3442	XPS-AR351144
230VAC	XPS-APF3742	XPS-AR371144

*add P to reference for removable plug terminals



XPS-CE Replaced by XPS-CM



Differentiation

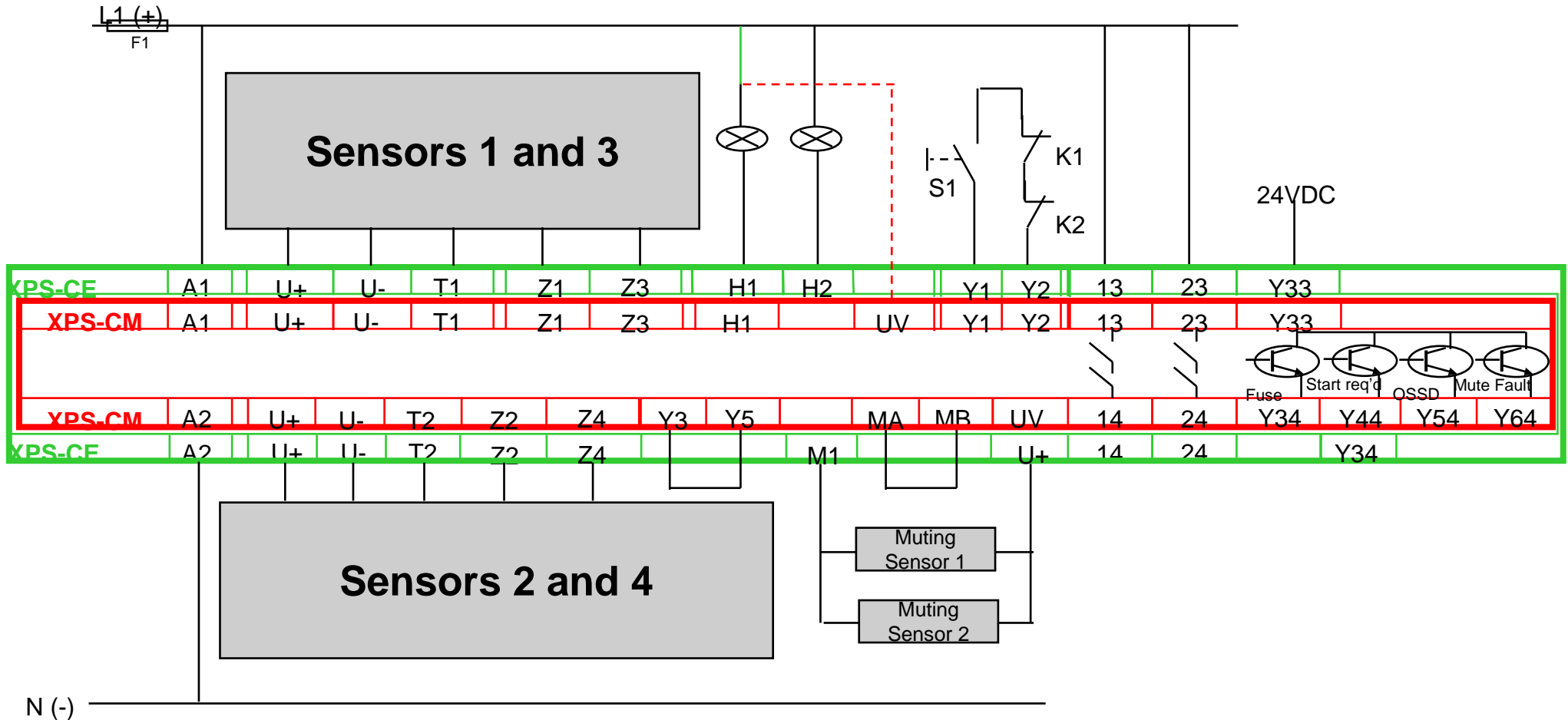
- XPS-CM has 3 extra solid state outputs for PLC signalling
- XPS-CM has choice of removable plug terminals
- XPS-CM has muting lamp error detection
- XPS-CM has only one muting lamp connection
- XPS-CM uses 4 muting sensors



XPS-CE Replaced by XPS-CM

Schematic Comparison

Monitoring of 4 XU2-S single beam detectors with muting function





XPS-CE Replaced by XPS-CM

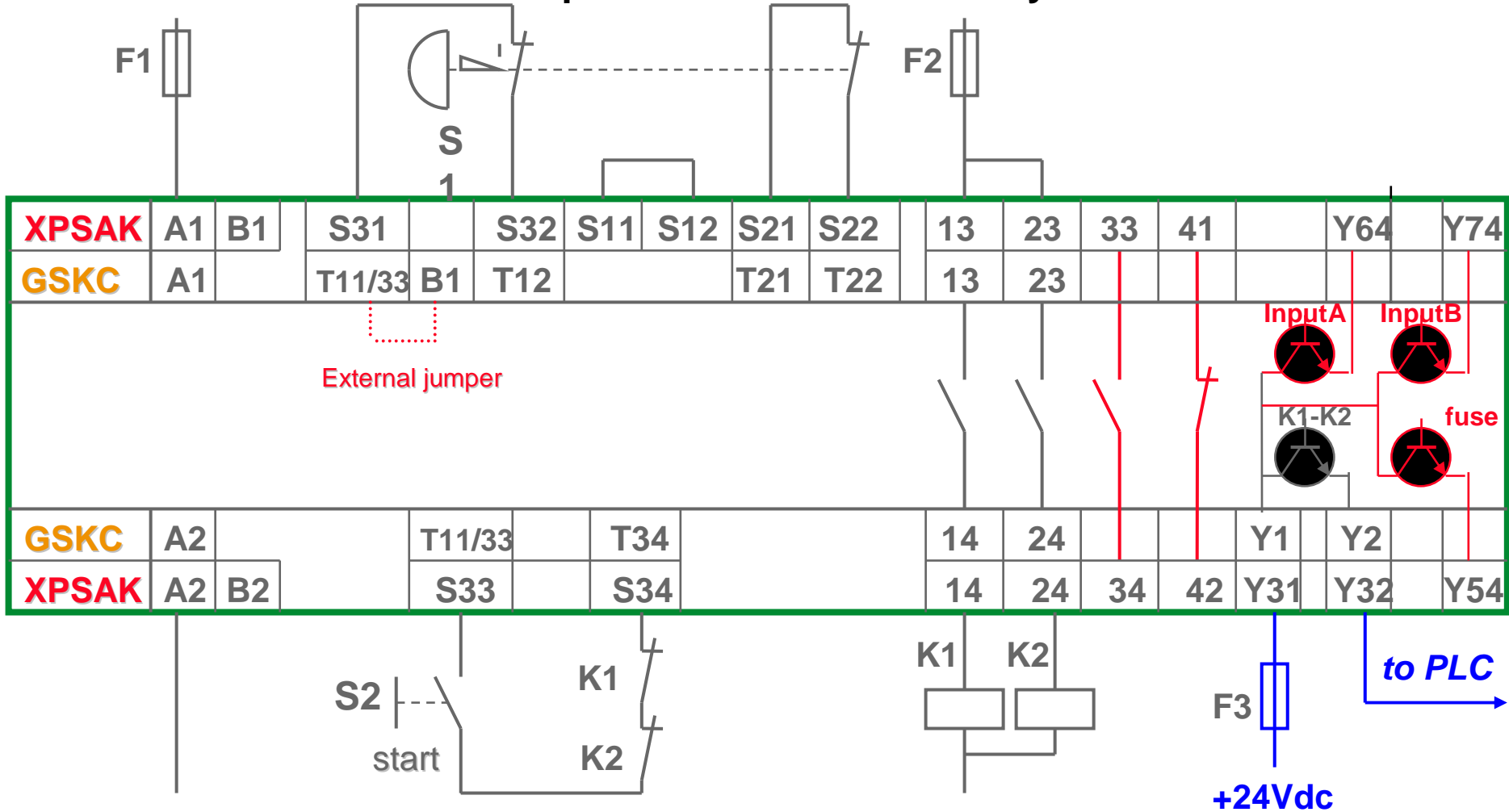
Cross Reference Table

Supply Voltage	Obsolete Reference	Existing Reference *
24VAC/DC	XPS-CEP5141	-
24VDC	-	XPS-CM1144

*add P to reference for removable plug terminals

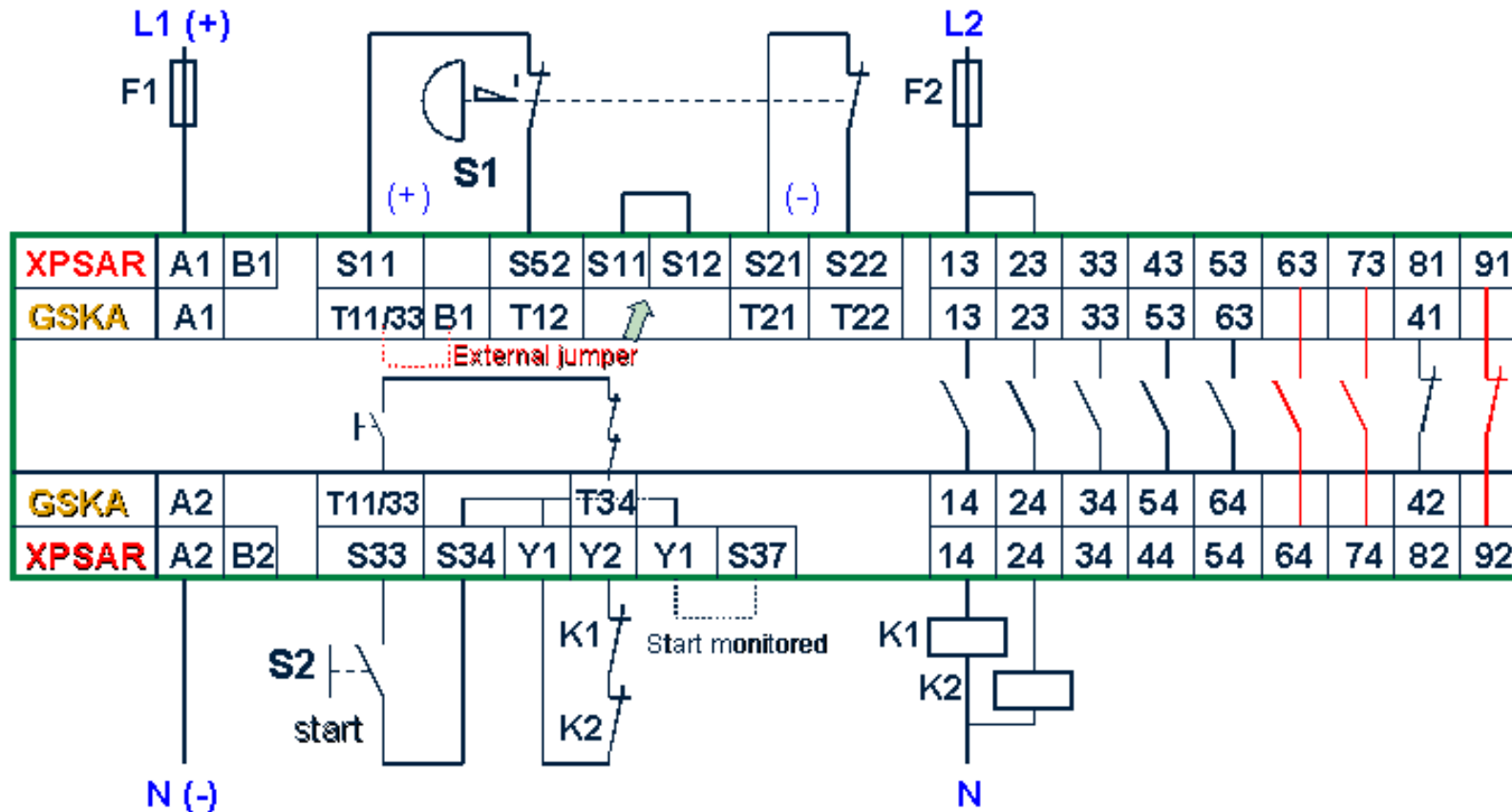


XPS modules - Replacement of the GSKC by the XPSAK unit



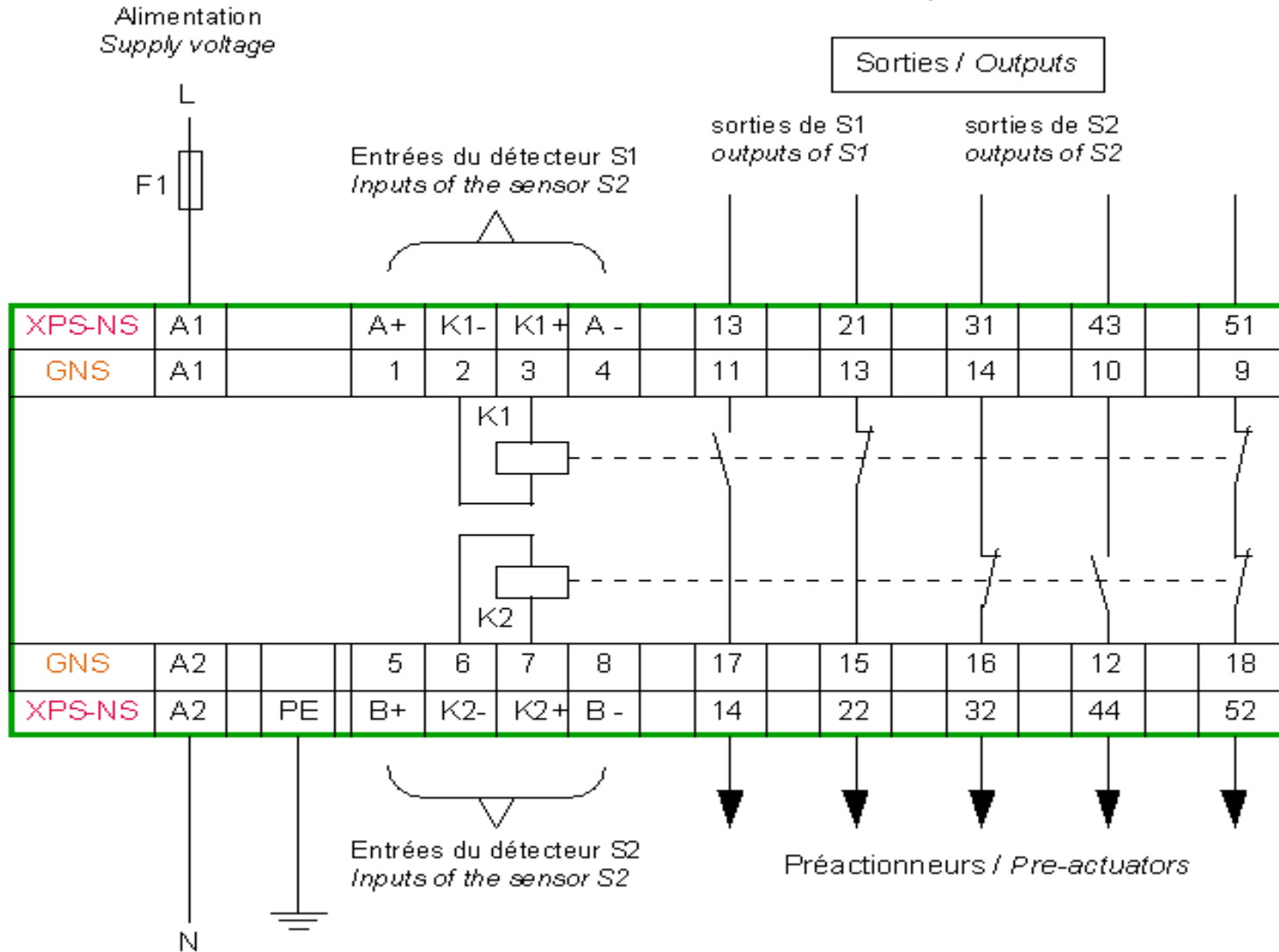


XPS modules - Replacement of the **GSKA** by the **XPSAR** unit





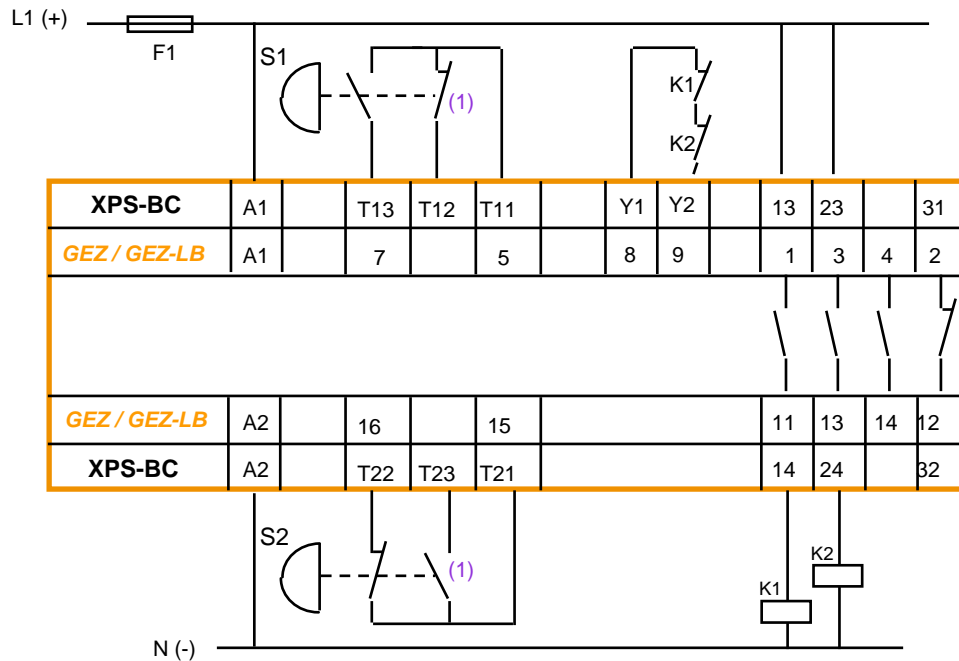
XPS modules - Replacement of the GNS by the XPSNS unit





XPS modules - Replacement of the GTS, GEZ, GEZ-LB by the XPSBC unit

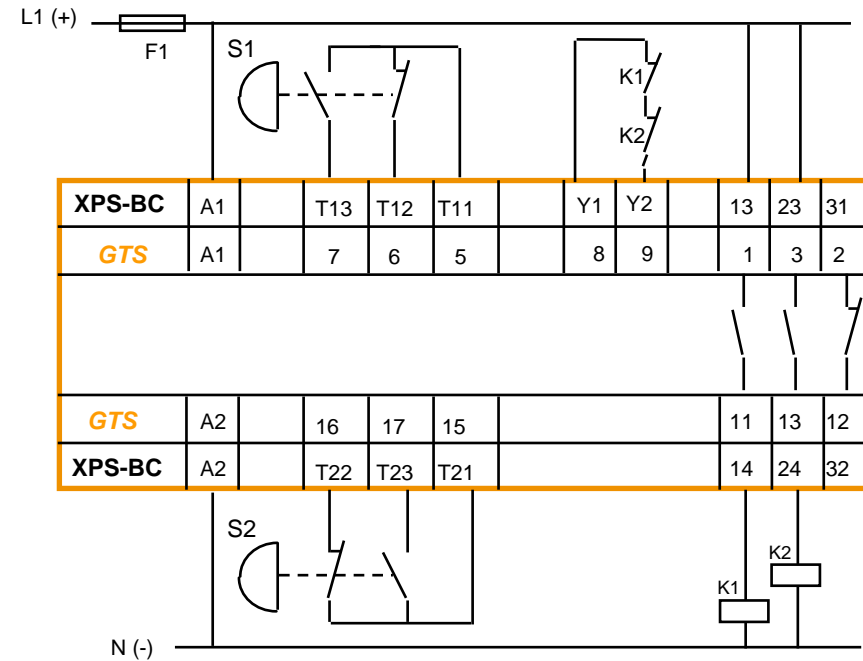
Substitution du GEZ ou GEZ-LB par XPS-BC
Replacement of GEZ or GEZ-LB by XPS-BC



(1) Ajouter un contact supplémentaire sur chaque bouton
Add an additional contact in each button

S1-S2 : pupitre de commande bimanuelle
two-hand control station

Substitution du GTS par XPS-BC
Replacement of GTS by XPS-BC



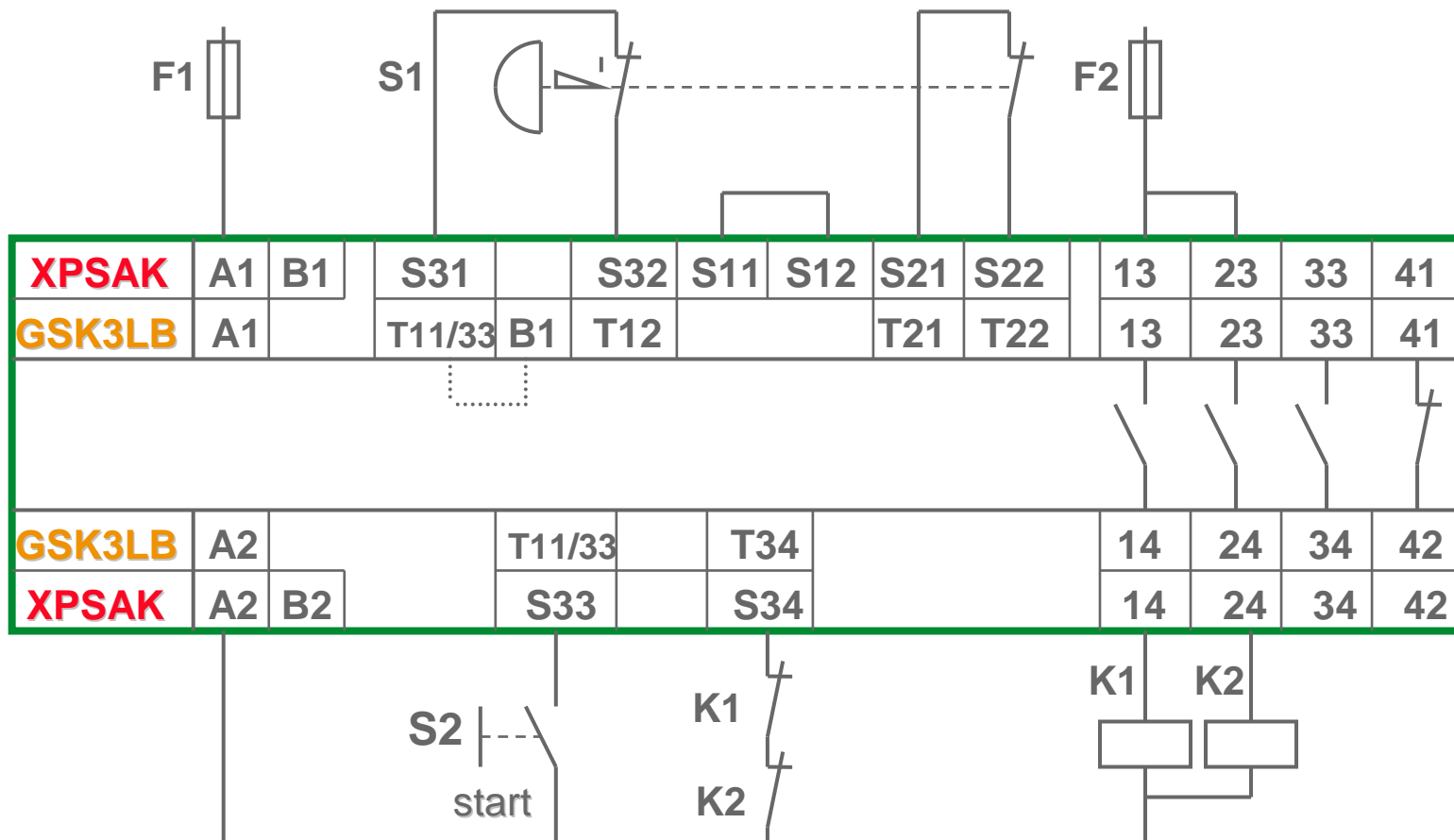
S1-S2 : pupitre de commande bimanuelle
two-hand control station



Après remplacement du produit, vérifier la compatibilité de la distance d'arrêt à vide
After product replacement, check by measurement the overtravel is correct



XPS modules - Replacement of the GSK3LB by the XPSAK unit



Preventa Safety Solutions



Telemecanique