



FLANGE TOOL INNOVATION

PRODUCT DATA SHEET

MG7™ MINI-GAP FLANGE SPREADER

SPREADING FORCE: 6.8T (68kN) per tool
or 13.6 T (136 kN)
in pairs (as recommended)

SPREADING DISTANCE: 2.0mm - 27.0mm
(0.08" - 1.06")

TOOL WEIGHT: 5.0kg (11.02lb)

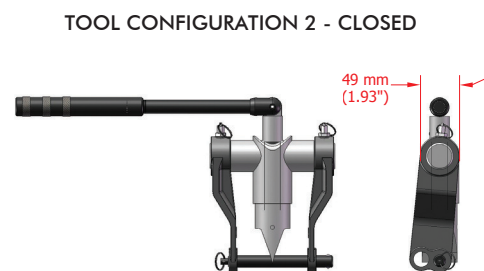
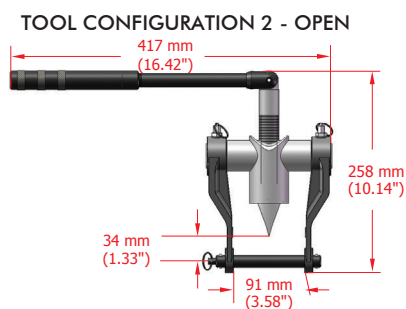
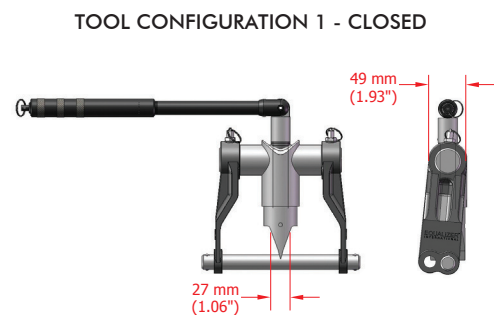
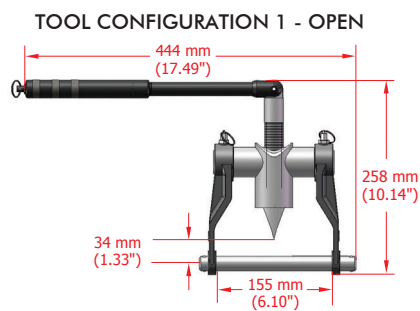
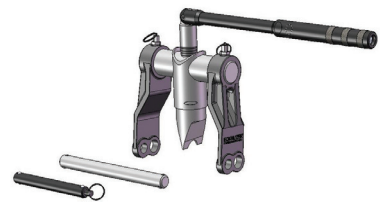
WEIGHTS AND DIMENSIONS

Tool Weight: 5.0kg (11.02lb)

KIT COMPONENTS

- 1 x MG7™ Tool
- 2 x Spreading Bar
- 1 x Instruction Manual

Product Code: MG7™MSTD



info@equalizerinternational.com
www.equalizerinternational.com

RANGE OF APPLICATION

By flange type, class and diameter

BS10 flanges:

Class H: 1/2" Thru 24"
 Class J: 1/2" Thru 24"
 Class K: 1/2" Thru 20"
 Class R: 1/2" Thru 20"
 Class S: 1/2" Thru 16"
 Class T: 1/2" Thru 13"

ASME B16.47

(including weld neck and blind flange):

26" Thru 60" for the flange class 150 and 300

ASME B16.5 weld neck:

2" Thru 48" for the flange class 150
 3/4" Thru 48" for the flange class 300

ASME B16.5 socket welded:

2" Thru 3" for the flange 150
 3/4" Thru 3" for the flange 300

ANSI reducing application

(including threaded and slip on flange):

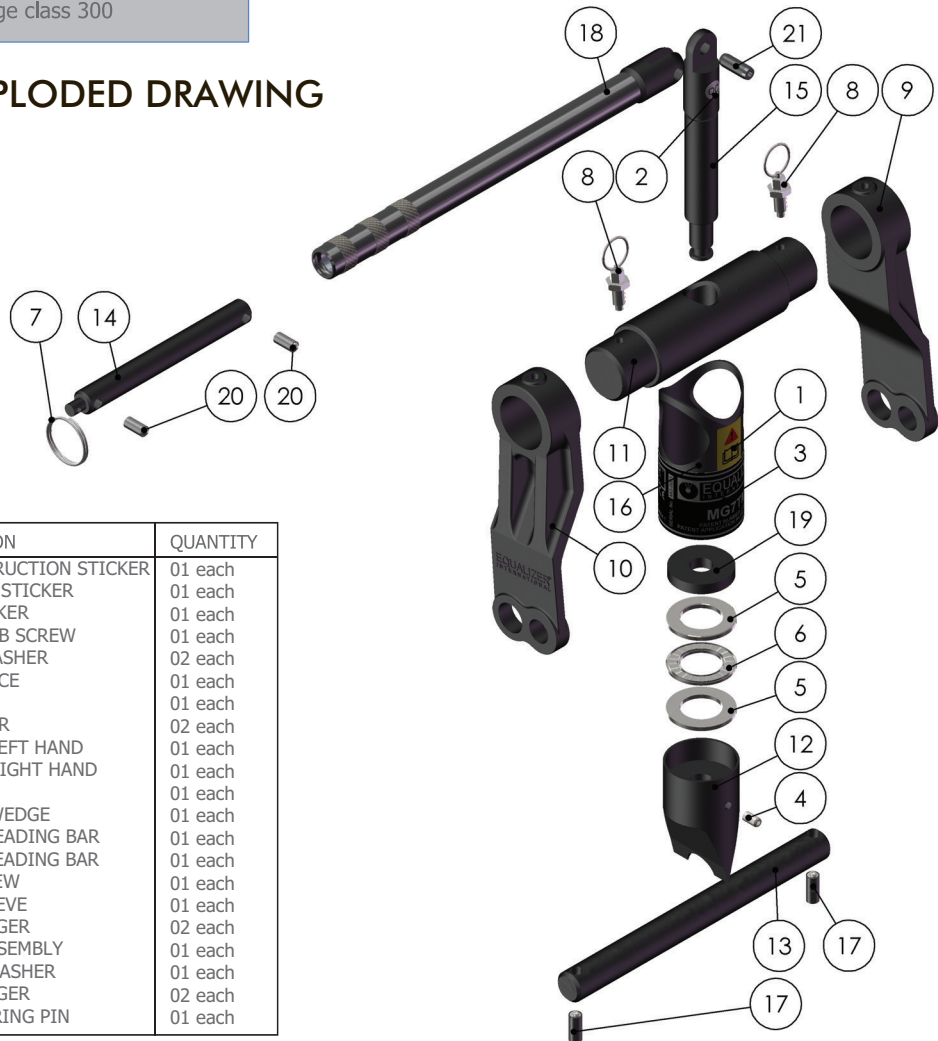
2" Thru 48" for the flange class 150
 3/4" Thru 48" for the flange class 300

ANSI orifice application

(including weld neck, threaded and slip on flange):

1" Thru 20" for the flange class 300

PARTS LIST AND EXPLODED DRAWING



ITEM	PART No.	DESCRIPTION	QUANTITY
01	070001-01	READ INSTRUCTION STICKER	01 each
02	070054-01	QC SEALED STICKER	01 each
03	070237-01	WRAP STICKER	01 each
04	301301-01	M6X12 GRUB SCREW	01 each
05	313401-01	THRUST WASHER	02 each
06	313501-01	THRUST RACE	01 each
07	403102-01	SPLIT RING	01 each
08	632001-01	M8 PLUNGER	02 each
09	740101-01	CAST LEG LEFT HAND	01 each
10	740201-01	CAST LEG RIGHT HAND	01 each
11	740301-01	MAIN BODY	01 each
12	740401-01	SPLITTER WEDGE	01 each
13	740501-01	LARGE SPREADING BAR	01 each
14	740601-01	SMALL SPREADING BAR	01 each
15	740701-01	DRIVE SCREW	01 each
16	740901-01	OUTER SLEEVE	01 each
17	741101-01	8 MM PLUNGER	02 each
18	741802-01	HANDLE ASSEMBLY	01 each
19	742001-01	BEARING WASHER	01 each
20	742101-01	7 MM PLUNGER	02 each
21	743101-01	COILED SPRING PIN	01 each