

HTWP - TORQUE WRENCH PUMPS



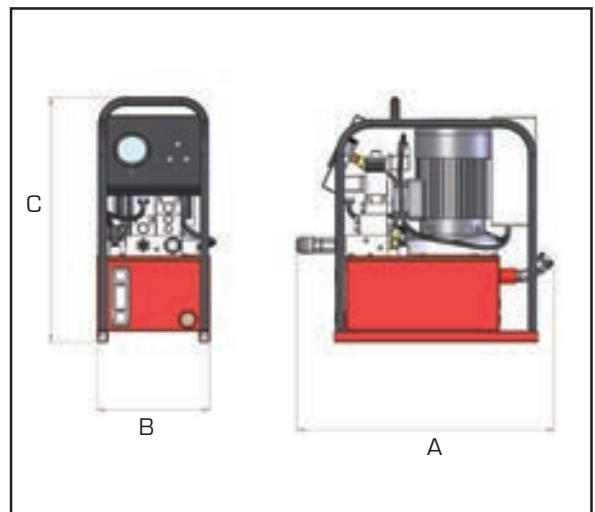
Working pressure 700 Bar

Choice of air or electric power options

Supplied complete with hand pendant controller

Hi-Force hydraulic torque wrench pumps are compatible for use with all Hi-Force hydraulic torque wrenches. All models are 700 Bar maximum working pressure, fitted with an easily accessible and adjustable torque setting pressure relief valve, and are available as air driven or electric driven pump units. All pumps are supplied with a remote operation, push button hand pendant controller with three metres of control line cable. Glycerine filled, easy to read, dual scale (0-700 Bar/0-10,000 PSI) hydraulic pressure gauges are fitted as standard to all models. Air driven versions also include an integral inline filter, regulator, lubricator system with airline pressure gauge and an exhaust air cooling system.

- >> Dual scale glycerine filled pressure gauge
- >> Two speed operation
- >> Externally adjustable torque setting valve
- >> Protective rollbar carrying frame
- >> Air pressure gauge and filter-regulator-lubricator unit (air powered pumps only)
- >> Integral oil cooling system (air powered pumps only)
- >> Reservoir oil sight level gauge
- >> Auto retract function (electric powered pumps only)
- >> Choice of standard hose length available, see page 90



| Model number | Max pressure bar | Power supply | Motor rating kW | Displacement l/min | | Changeover pressure bar | Weight kg | Dimensions in mm | | |
|--------------------|------------------|--------------|-----------------|--------------------|---------------|-------------------------|-----------|------------------|-----|-----|
| | | | | low pressure | high pressure | | | A | B | C |
| HTWP2140P | 700 | 7 Bar | 1.50 | 6.1 | 0.51 | 60 | 28.0 | 468 | 205 | 445 |
| HTWP2141AR | 700 | 110 volt | 0.75 | 3.9 | 0.36 | 60 | 34.0 | 468 | 205 | 445 |
| HTWP2141ARH | 700 | 110 volt | 0.75 | 3.9 | 0.36 | 60 | 34.0 | 468 | 205 | 445 |
| HTWP2142AR | 700 | 240 volt | 0.75 | 3.9 | 0.36 | 60 | 34.0 | 468 | 205 | 445 |
| HTWP2142ARH | 700 | 240 volt | 0.75 | 3.9 | 0.36 | 60 | 34.0 | 468 | 205 | 445 |

Note: Pumps with suffix 'H' in the model number are supplied with 60Hz electric motor.

F

TPA / TPE - TORQUE WRENCH PUMPS - PREMIUM LINE



High flow 3-stage pump unit

Choice of air or electric power options

Rigid, compact & lightweight

The Hi-Force TPA & TPE range of Premium line torque wrench pumps offers the following features :

F

- >> High speed 3-stage, 8 piston pump unit
- >> Multi outlet 4-way split block for simultaneous operation of up to 4 hydraulic wrenches
- >> Compact design, fitted within a rigid rollbar protection & carrying frame
- >> Automatically activated oil cooling heat exchanger fitted as standard on all electric driven models
- >> Exhaust air radiator cooling system on air driven models
- >> Adjustable torque setting pressure relief valve with locking nut
- >> Models with suffix 'A' fitted with analogue pressure gauge
- >> Models with suffix 'D' fitted with pressure transducer and digital pressure gauge
- >> Pendant controlled choice of manual with auto retract or full automatic cycle operation [automatic cycle functions only available on electric driven models]
- >> Solenoid valve with pendant control including motor on/off and 5 metre cable

| Model number | Max. pressure Bar | Power supply | Pressure gauge | Gauge reading [*] | Displacements l / m | | |
|----------------------------|-------------------|---------------|----------------|-------------------|-----------------------------------|-------------------------------------|--------------------------------------|
| | | | | | 1 st stage 0-65 bar | 2 nd stage 65-325 bar | 3 rd stage 325-700 bar |
| Air driven pump units | | | | | | | |
| TPA07A | 700 | 7.0 Bar air | analogue | Bar/PSI | 7.0 | 1.6 | 0.80 |
| TPA07D | 700 | 7.0 Bar air | digital | Bar/PSI/Nm/Lbf.Ft | 7.0 | 1.6 | 0.80 |
| Electric driven pump units | | | | | | | |
| TPE15A | 700 | 110V-1Ph-50Hz | analogue | Bar/PSI | 6.5 | 1.5 | 0.75 |
| TPE15D | 700 | 110V-1Ph-50Hz | digital | Bar/PSI/Nm/Lbf.Ft | 6.5 | 1.5 | 0.75 |
| TPE16A | 700 | 120V-1Ph-60Hz | analogue | Bar/PSI | 7.8 | 1.8 | 0.90 |
| TPE16D | 700 | 120V-1Ph-60Hz | digital | Bar/PSI/Nm/Lbf.Ft | 7.8 | 1.8 | 0.90 |
| TPE25A | 700 | 230V-1Ph-50Hz | analogue | Bar/PSI | 6.5 | 1.5 | 0.75 |
| TPE25D | 700 | 230V-1Ph-50Hz | digital | Bar/PSI/Nm/Lbf.Ft | 6.5 | 1.5 | 0.75 |
| TPE26A | 700 | 230V-1Ph-60Hz | analogue | Bar/PSI | 7.8 | 1.8 | 0.90 |
| TPE26D | 700 | 230V-1Ph-60Hz | digital | Bar/PSI/Nm/Lbf.Ft | 7.8 | 1.8 | 0.90 |
| TPE45A | 700 | 400V-3Ph-50Hz | analogue | Bar/PSI | 6.5 | 1.5 | 0.75 |
| TPE45D | 700 | 400V-3Ph-50Hz | digital | Bar/PSI/Nm/Lbf.Ft | 6.5 | 1.5 | 0.75 |
| TPE46A | 700 | 480V-3Ph-60Hz | analogue | Bar/PSI | 7.8 | 1.8 | 0.90 |
| TPE46D | 700 | 480V-3Ph-60Hz | digital | Bar/PSI/Nm/Lbf.Ft | 7.8 | 1.8 | 0.90 |

Note: [*] Torque value reading only available on software controlled, programmable pump unit

TPA / TPE - TORQUE WRENCH PUMPS - PREMIUM LINE

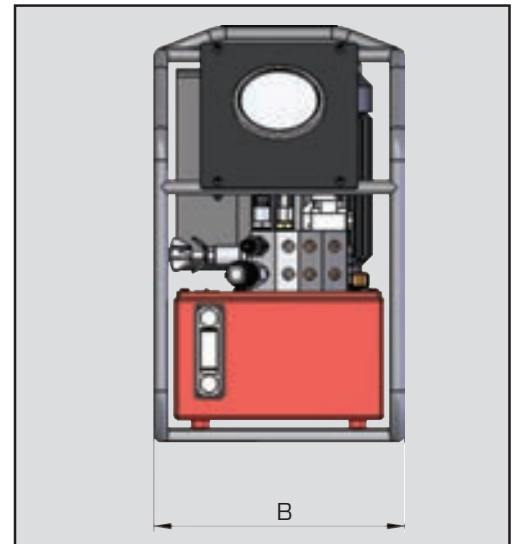
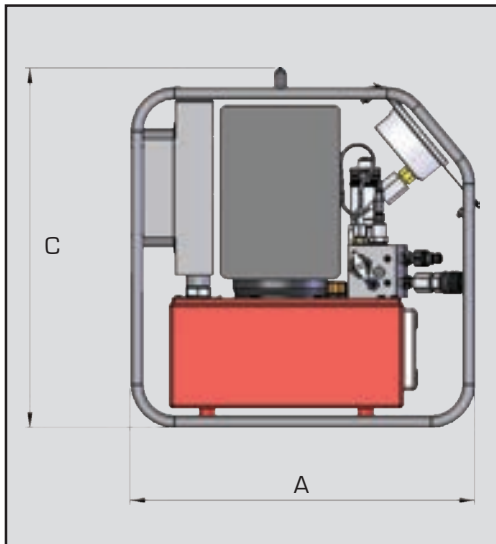


Maximum working pressure 700 Bar

Inbuilt oil cooling system

Multi-outlet block for operation of 4 wrenches

- >> Optional extras include a full software controlled pump unit, enabling the user to select the hydraulic torque wrench in use via the digital display and have torque readings (in Nm or Lbf.ft) on the digital gauge. All Hi-Force TWS-N and TWH-N hydraulic torque wrenches are programmed and selectable as standard.



| Pump Model | Oil capacity | Max. noise level | Max. oil temp | Weight incl. oil | Dimensions in mm | | |
|--------------------------------|--------------|------------------|---------------|------------------|------------------|-----------|------------|
| | | | | | Length (A) | Width (B) | Height (C) |
| All TPA air driven models | 7 litres | 90 db (A) | 80° C | 30 kg | 456 | 286 | 476 |
| All TPE electric driven models | 7 litres | 88 db (A) | 80° C | 39 kg | 456 | 286 | 476 |

Optional coupler sets for simultaneous operation of multiple torque wrenches (one set supplied fitted as standard):

| Model number | Description |
|---------------|--|
| TP-CS1 | Single set of male / female flat face couplers, for simultaneous operation of two hydraulic wrenches |
| TP-CS2 | Double set of male / female flat face couplers, for simultaneous operation of three hydraulic wrenches |
| TP-CS3 | Triple set of male / female flat face couplers, for simultaneous operation of four hydraulic wrenches |