

for residential swing gates  
with single-leaf length of 1.8 m (402 CBC) and 3 m (402 SBS)



### ■ The hydraulic system ideal for residential gates

Quick and easy to install, the FAAC 402 system is the most practical and economic choice for residential gates of up to 1.8 metres in length per leaf. The FAAC 402 hydraulic device requires little maintenance and is low on electrical power consumption.

### ■ Maximum safety

The exclusive hydraulic device, ensuring maximum anti-crushing protection, features two highly sensitive by-pass valves. In case of an emergency, the release key makes it possible to operate the gate manually.

### ■ Low noise and reliability requiring little space

Few components and the use of hydraulic oil as motor fluid are the secrets ensuring very quiet movement and reliability under all atmospheric conditions and in an outdoor temperature range of -40°C to +55°C. Thanks to its compact size, FAAC 402 can be installed even when space is at a premium.

### ■ FAAC quality guaranteed through time

On top of the undisputed advantages of FAAC's hydraulic system, there is also a corrosion proof coating highly resistant to atmospheric agents with guaranteed long-life.



#### SPECIFICATIONS

Hydraulic operator with piston for swing-leaf gates • Models with hydraulic locking and without hydraulic locking • Models suitable for max. leaf length up to 3.0 m • Max use frequency 55 cycles/hour • Pillar installation • Leaf opening inwards or outwards • Max opening angle 110° • Models with max traction/thrust force 690 daN • Models with max rod speed 1.3 cm/s • Rod effective stroke 240 mm • Electric motor power supply 230 Vac (+6% -10%) - 50 (60) Hz • Electric motor power 220 W • Thermal protection at 120° C built into motor winding • Overall dimensions 959x90x85 mm (LxWxH) • Protection class IP55 • Operating ambient temperature -40°C ÷ +55°C • Built-in release device with triangular key • Single-phase motor with two rotation directions (1.400 rpm) • Hydraulic gerotor pump (max low noise) • Die-cast distribution flange • Separate control of opening and closing force by by-pass valves with tamper-proof plate • Rod in stainless steel • Tank and piston protective housing in anodised aluminium • Mineral hydraulic oil with additives

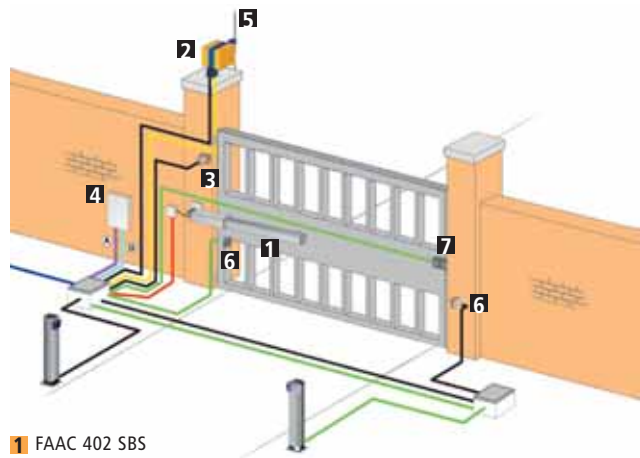


- 1 Oil tank
- 2 By-pass valves (cannot be accessed thanks to the supplied "tamper-proof" system)
- 3 Emergency release
- 4 Rod protective housing

marka.bo.it

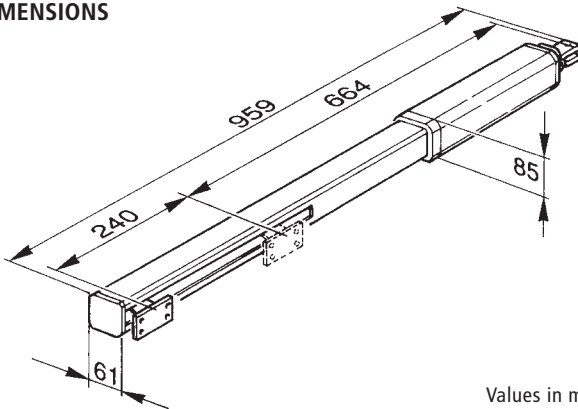
Technical specifications	402 CBC	402 SBS
Power supply	230 Vac (+6% -10%) 50 (60) Hz	
Absorbed power	220 W	
Absorbed current	1 A	
Motor rotation speed	1400 rpm	
Rod extension speed	1.3 cm/s	1 cm/s
Pump flow rate	1 l/min.	0,75 l/min
Traction and thrust force	0÷500 daN	0÷690 daN
Operating ambient temperature	-40°C ÷ +55°C	
Thermal protection on motor winding	120°C	
Weight	6.5 kg	
Type of oil	FAAC HP OIL	
Protection class	IP 55	

### INSTALLATION LAYOUT



- 1 FAAC 402 SBS
- 2 FAACLIGHT
- 3 FAAC T10
- 4 FAAC 455 D/MINIDEC DS
- 5 FAAC PLUS 1 433
- 6 FAAC FOTOSWITCH
- 7 ELECTRIC LOCK

### DIMENSIONS



Values in mm

	Low voltage cabling	Power cabling (230V)
(A)	nr.4 cables 3x0,5 nr.2 cables 2x0,5	(B) { nr.1 cable 3x1,5+T nr.1 cable 2x1,5+T nr.1 cable 2x1,5

N.B: Cable diameters in mm<sup>2</sup>

Model	Use	
	Single leaf max length (m)	Use frequency (cycles/hour)
402 CBC	1,80	55
402 SBS	3,00	55



FAAC S.p.A. Via Benini, 1  
40069 Zola Predosa - Bologna (Italia)  
tel. +39 051 61724 · fax +39 051 758518  
www.faacgroup.com

