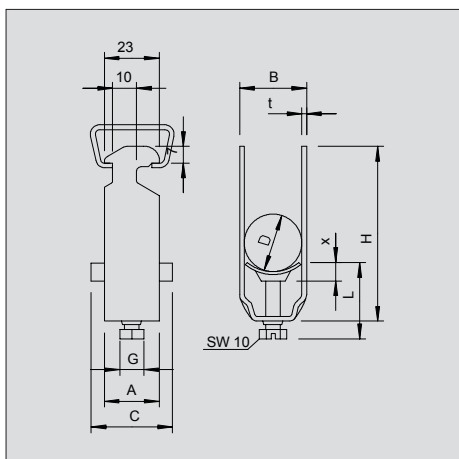
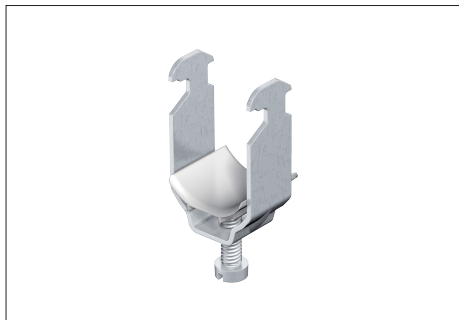


U clamp (BBS clamp)



Suitable for all C profile rails with 16–17 mm slot width; aluminium ALMg 3 clamp and bolt, polypropylene pressure sleeve, halogen-free, colour light grey RAL 7035. (Metal pressure sleeves on request.)

The U clamps 2056/ALU, in the version for one cable according to VDE 0298-1, are suitable for individual routing of single-wire cables in rotary current networks, as there is no closed circuit. However, the lower mechanical resistance of the aluminium U clamps must be taken into account for short circuits, i.e. keep the distance between the clamps as short as possible in a longitudinal direction and ensure sufficient side spacing between the cables.

Type	Clamping range D mm	Dimension D2	Dimension H mm	Dimension L mm	Dimension t mm	Pack. pcs	Weight kg/100 pcs.	Item No.
2056 12 ALU	8-12	-	40	34	1,5	100	0,750	1183 20 6
2056 16 ALU	12-16	-	44	34	1,5	100	0,900	1183 21 4
2056 22 ALU	16-22	-	50	34	1,5	100	1,050	1183 22 2
2056 28 ALU	22-28	-	58	34	2	100	1,500	1183 23 0
2056 34 ALU	28-34	-	66	34	2	100	2,300	1183 24 9
2056 40 ALU	34-40	-	72	37,5	2	100	2,700	1183 25 7
2056 46 ALU	40-46	-	79	44,5	2	100	3,600	1183 26 5
2056 52 ALU	46-52	-	86	44,5	2	100	3,900	1183 27 3
2056 58 ALU	52-58	-	93	45,5	2,5	50	4,200	1183 28 1
2056 64 ALU	58-64	-	99	45,5	2,5	50	4,500	1183 30 3
2056 70 ALU	64-70	-	106	45,5	2,5	50	5,400	1183 31 1
2056 76 ALU	70-76	-	114	45,5	2,5	25	5,850	1183 33 8

Al Aluminium

