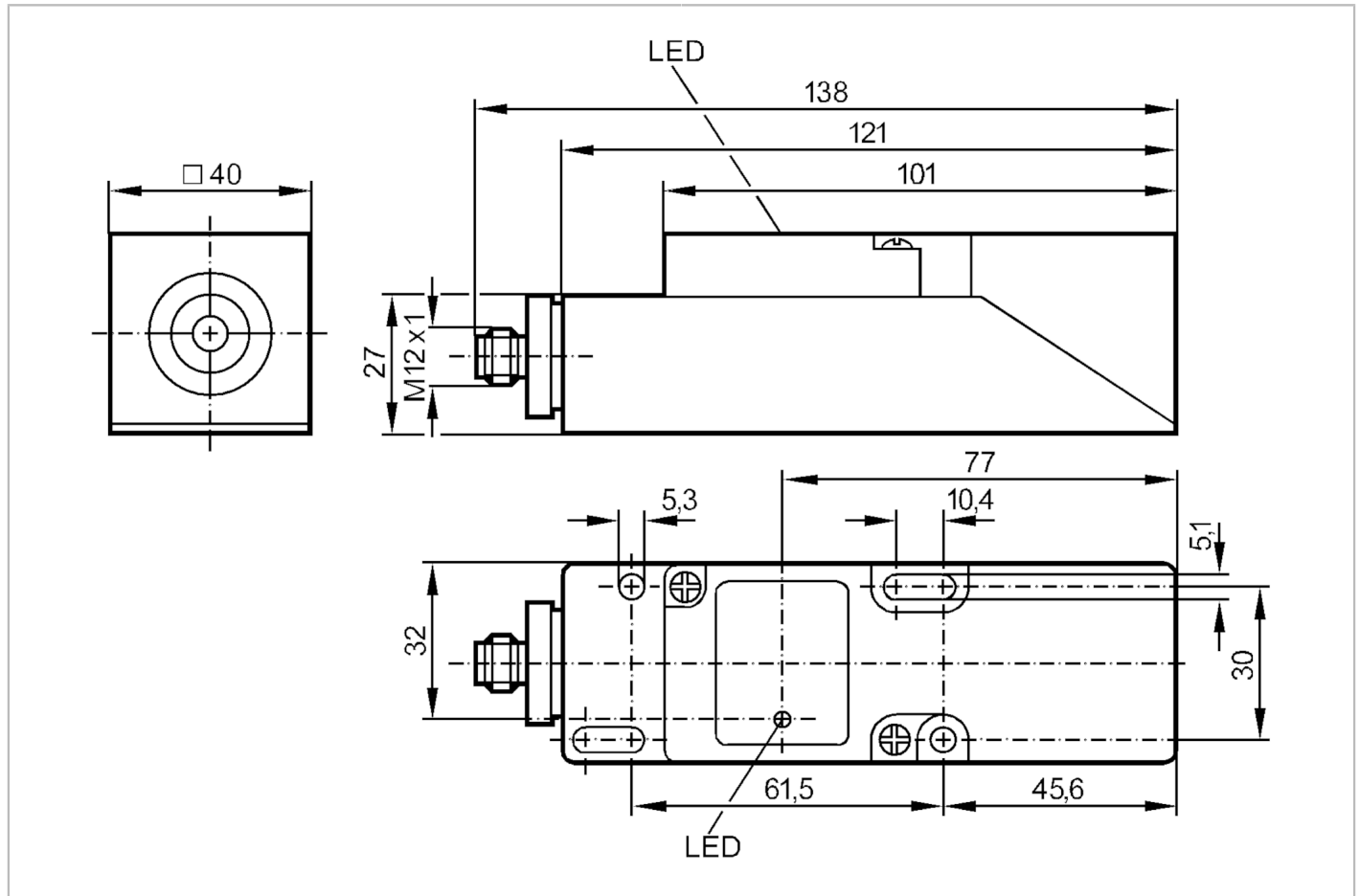


IM5044



Inductive sensor

IME3020-FPKG/US-100-DPX



Product characteristics	
Electrical design	PNP
Output function	normally open / closed; (selectable)
Sensing range [mm]	20
Housing	rectangular
Dimensions [mm]	40 x 40 x 120
Electrical data	
Operating voltage [V]	10...36 DC
Current consumption [mA]	5; (24 V)
Protection class	II
Reverse polarity protection	yes

IM5044



Inductive sensor

IME3020-FPKG/US-100-DPX

Outputs		
Electrical design		PNP
Output function		normally open / closed; (selectable)
Max. voltage drop switching output DC	[V]	2.5
Permanent current rating of switching output DC	[mA]	250
Switching frequency DC	[Hz]	300
Short-circuit protection		yes
Type of short-circuit protection		yes (non-latching)
Overload protection		yes
Monitoring range		
Sensing range	[mm]	20
Real sensing range Sr	[mm]	20 ± 10 %
Operating distance	[mm]	0...16.2
Accuracy / deviations		
Correction factor		steel: 1 / stainless steel: 0.7 / brass: 0.4 / aluminum: 0.3 / copper: 0.2
Hysteresis	[% of Sr]	1...15
Switch-point drift	[% of Sr]	-10...10
Operating conditions		
Ambient temperature	[°C]	-25...80
Protection		IP 67
Tests / approvals		
EMC	EN 61000-4-2 ESD	4 kV CD
	EN 61000-4-3 HF radiated	3 V/m
	EN 61000-4-4 Burst	2 kV
	EN 61000-4-6 HF conducted	3 V
	EN 55011	class B
MTTF	[years]	1727
UL approval	Ta	0...40 °C
	Enclosure type	Type 1
	voltage supply	Hazardous voltage
	File number UL	E174191
Mechanical data		
Weight	[g]	183.5
Housing		rectangular
Mounting		non-flush mountable
Dimensions	[mm]	40 x 40 x 120
Material		PPE
Displays / operating elements		
Display	Switching status	1 x LED, yellow

IM5044



Inductive sensor

IME3020-FPKG/US-100-DPX

Remarks	
Remarks	5 positions of the active zone possible Cut link to program as N.C.
Pack quantity	1 pcs.

Electrical connection - plug

Connector: 1 x M12



Connection

