



PGT-11-S LAN

SICK
Sensor Intelligence.



Ordering information

Type	Part no.
PGT-11-S LAN	1057324

Other models and accessories → www.sick.com/

Detailed technical data

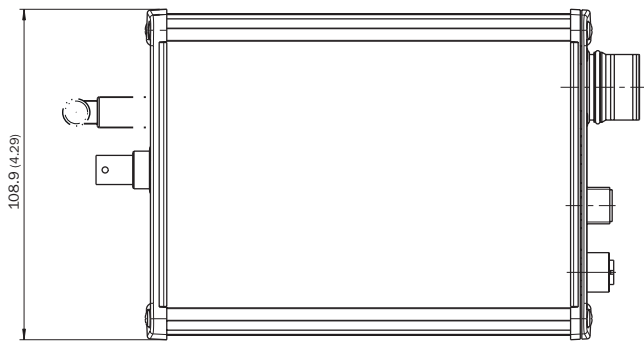
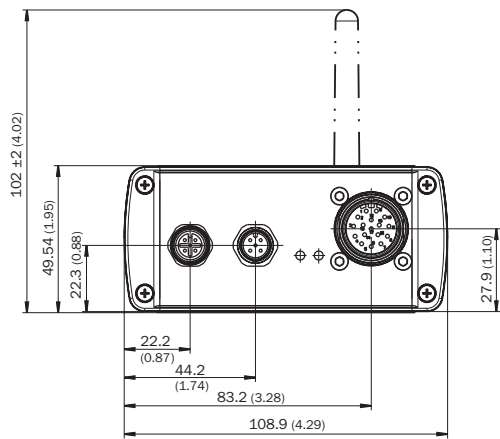
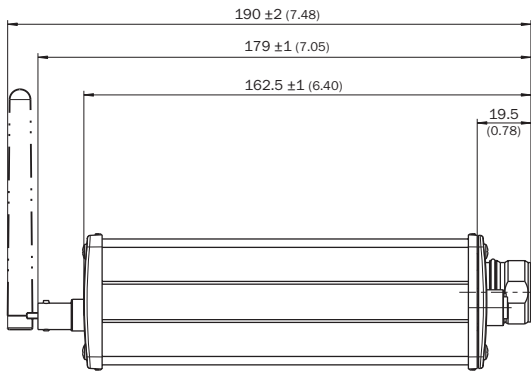
Technical specifications

Accessory group	Programming and configuration tools
Description	SVip® LAN programming tool for all motor feedback systems
Suitable for	SRS/SRM50, SKS/SKM36, SFS/SFM60, SES/SEM70, SES/SEM90, TTK50/70, VFS60, CKS36, EKS/EKM36, EFS/EFM50, EES/EEM37, EDS/EDM35
Items supplied	1x programming tool PGT-11-S LAN, 1x power supply unit 100-240 V AC / 12 V DC, primary adapter (Europe, UK, USA/Japan, Australia), Ethernet cable 3 m
Dimensions (W x H x L)	70 mm x 30 mm x 90 mm

Classifications







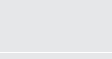
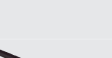
ECl@ss 5.0	27279211
ECl@ss 5.1.4	27279211
ECl@ss 6.0	27279211
ECl@ss 6.2	27279211
ECl@ss 7.0	27279211
ECl@ss 8.0	27279211
ECl@ss 8.1	27279211
ECl@ss 9.0	19200590
ECl@ss 10.0	19200590
ECl@ss 11.0	19200590
ETIM 5.0	EC001418
ETIM 6.0	EC001418
ETIM 7.0	EC001418
UNSPSC 16.0901	32151707

Dimensional drawing (Dimensions in mm (inch))



Recommended accessories

Other models and accessories → www.sick.com/

	Brief description	Type	Part no.
Plug connectors and cables			
	Head A: female connector, M12, 4-pin, straight Head B: female connector, JST, 4-pin, straight Cable: HIPERFACE [®] , shielded, 1 m	DSL-1202-G01MA	2061361
	Head A: female connector, DUBOX, 8-pin, straight Head B: male connector, M23, 17-pin, straight Cable: HIPERFACE [®] , unshielded, 1 m	DSL-2317-G01MJB1	2071326
	Head A: female connector, M23, 12-pin, straight Head B: male connector, M23, 17-pin, straight Cable: HIPERFACE [®] , unshielded, 1 m	DSL-2317-G01MJB2	2071328
	Head A: female connector, JST, 8-pin, straight Head B: male connector, M23, 17-pin, straight Cable: HIPERFACE [®] , unshielded, 1 m	DSL-2317-G01MJB6	2071327
	Head A: female connector, JST, 8-pin, straight Head B: male connector, M23, 17-pin, straight Cable: Incremental, unshielded, 1 m	DSL-2317-G01MJB7	2071332
	Head A: female connector, M12, 8-pin, straight Head B: male connector, M23, 17-pin, straight Cable: HIPERFACE [®] , unshielded, 1 m	DSL-2317-G01MJC1	2071329
	Head A: female connector, terminal box, 8-pin, straight Head B: male connector, M23, 17-pin, straight Cable: HIPERFACE [®] , unshielded, 1 m	DSL-2317-G01MJC6	2071330
	Head A: female connector, terminal box, 8-pin, straight Head B: male connector, M23, 17-pin, straight Cable: Incremental, unshielded, 1 m	DSL-2317-G01MJC7	2071331
	Head A: female connector, M12, 8-pin, straight Head B: female connector, M23, 17-pin, straight Cable: HIPERFACE [®] , unshielded, 1 m	YF2AA8-010S01M23BB	2109107

SICK AT A GLANCE

SICK is one of the leading manufacturers of intelligent sensors and sensor solutions for industrial applications. A unique range of products and services creates the perfect basis for controlling processes securely and efficiently, protecting individuals from accidents and preventing damage to the environment.

We have extensive experience in a wide range of industries and understand their processes and requirements. With intelligent sensors, we can deliver exactly what our customers need. In application centers in Europe, Asia and North America, system solutions are tested and optimized in accordance with customer specifications. All this makes us a reliable supplier and development partner.

Comprehensive services complete our offering: SICK LifeTime Services provide support throughout the machine life cycle and ensure safety and productivity.

For us, that is “Sensor Intelligence.”

WORLDWIDE PRESENCE:

Contacts and other locations –www.sick.com