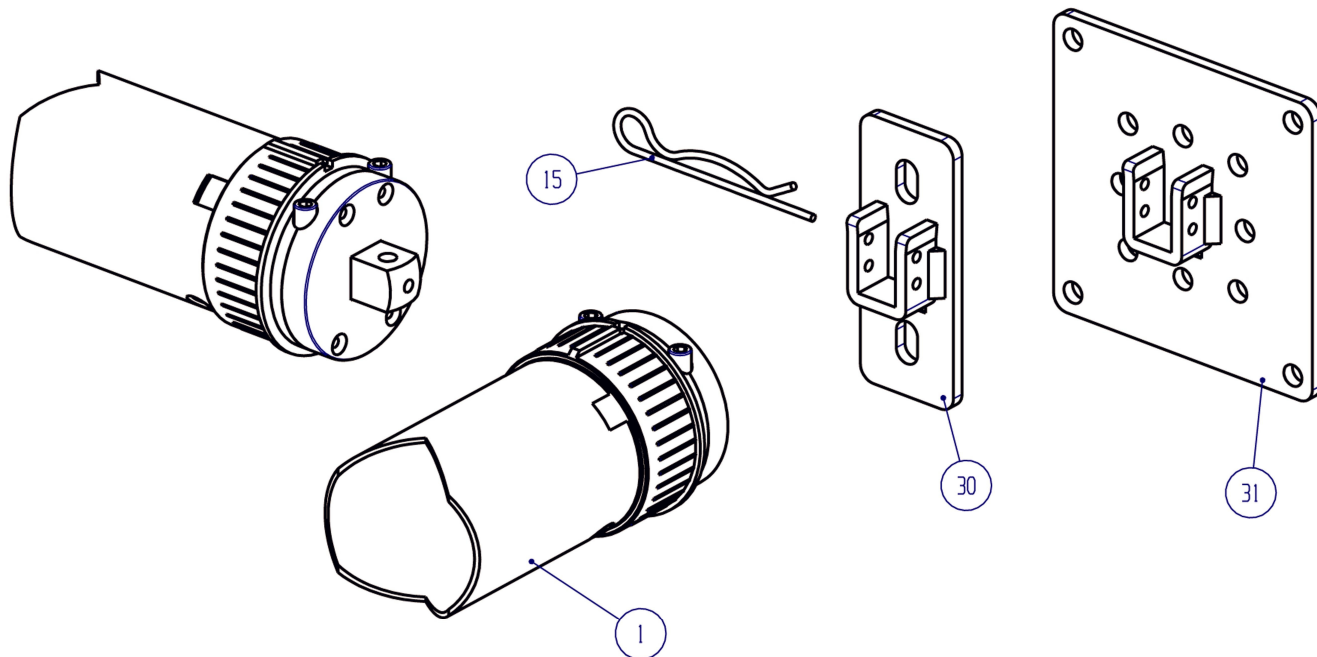




GEARMOTOR ASSEMBLY SYSTEMS - **CRONO** SERIES



N.	Description	Code	N.	Description	Code
1	Motor - FIRE series		21		
2			22		
3			23		
4			24		
5			25		
6			26		
7			27		
8			28		
9			29		
10			30	Support bracket - H90mm, 14mm dia. center mounting support	AC123
11			31	Support bracket - H100mm square, 14mm dia. mounting support	AC121
12			32		
13			33		
14			34		
15	Security clip - 2mm dia.	VT152	35		
16			36		
17			37		
18			38		
19			39		
20			40		