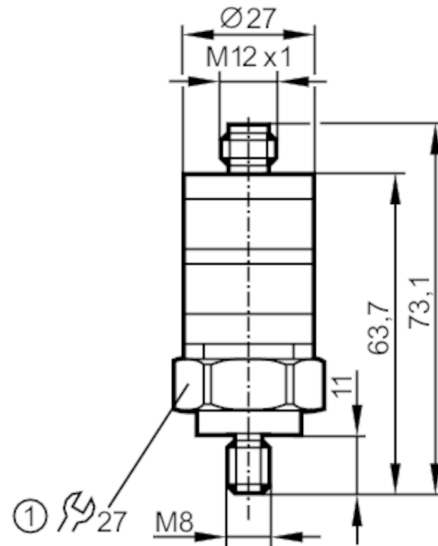




## Vibration monitor with intuitive switch point setting

VIBRATION MONITOR



- 1 Tightening torque 15 Nm  
M8 x 1.25 mm



### Product characteristics

Measuring range of vibration [mm/s]	0...25; (RMS)
Frequency range [Hz]	10...1000

### Application

Application	vibration monitor to DIN ISO 10816
-------------	------------------------------------

### Electrical data

Operating voltage [V]	18...32 DC
Current consumption [mA]	< 50
Protection class	III
Sensor type	microelectromechanical system (MEMS)

### Inputs / outputs

Total number of inputs and outputs	2
Number of inputs and outputs	Number of digital outputs: 1; Number of analogue outputs: 1



## Vibration monitor with intuitive switch point setting

VIBRATION MONITOR

Outputs		
Output signal	switching signal; analogue signal	
Electrical design	PNP	
Number of digital outputs	1	
Output function	normally closed	
Max. voltage drop switching output DC [V]	2	
Permanent current rating of switching output DC [mA]	500	
Number of analogue outputs	1	
Analogue current output [mA]	4...20	
Max. load [ $\Omega$ ]	500	
Short-circuit protection	yes	
Type of short-circuit protection	pulsed	
Overload protection	yes	
Measuring/setting range		
Measuring range of vibration [mm/s]	0...25; (RMS)	
Frequency range [Hz]	10...1000	
Number of measurement axes	1	
Accuracy / deviations		
Measuring error [% of the final value]	$< \pm 3$	
Switch point accuracy	$< \pm 4$ ; (% of the final value)	
Repeatability	$< 0,5$ ; (% of the final value)	
Linearity deviation	0,25 %	
Response times		
Response time [s]	1...60	
Software / programming		
Adjustment of the switch point	setting ring	
Operating conditions		
Ambient temperature [ $^{\circ}\text{C}$ ]	-25...80	
Note on ambient temperature	UL application: $< 80^{\circ}\text{C}$	
Storage temperature [ $^{\circ}\text{C}$ ]	-25...80	
Protection	IP 67	
Tests / approvals		
EMC	EN 61000-4-2 ESD	4 kV CD / 8 kV AD
	EN 61000-4-3 HF radiated	10 V/m
	EN 61000-4-4 Burst	2 kV
	EN 61000-4-6 HF conducted	10 V
Shock resistance		400 g
MTTF [years]		510

# VKV021



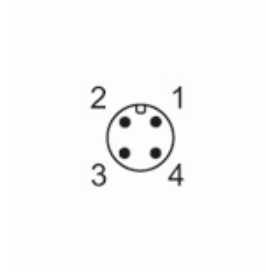
## Vibration monitor with intuitive switch point setting

VIBRATION MONITOR

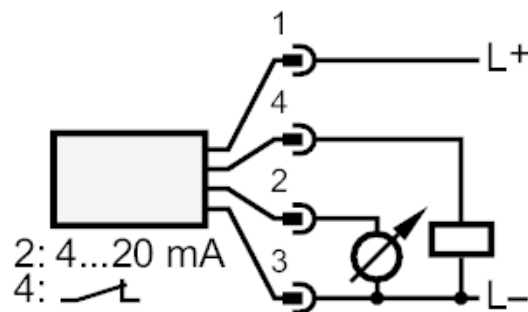
Mechanical data		
Weight	[g]	113.5
Type of mounting		M8 x 1,25
Materials		PBT; PC; FKM; stainless steel (1.4404 / 316L)
Tightening torque	[Nm]	15
Displays / operating elements		
Display	operation	LED, green
	switching status	LED, yellow
With scale		yes
Operating elements	setting ring	setting ring
Remarks		
Pack quantity		1 pcs.

### Electrical connection

Connector: 1 x M12



### Connection



1	L+
2	4...20 mA
3	GND
4	switching output