

Sliding Gate Operators



740-741

www.DigiDsc.com
02144757973
09123036082

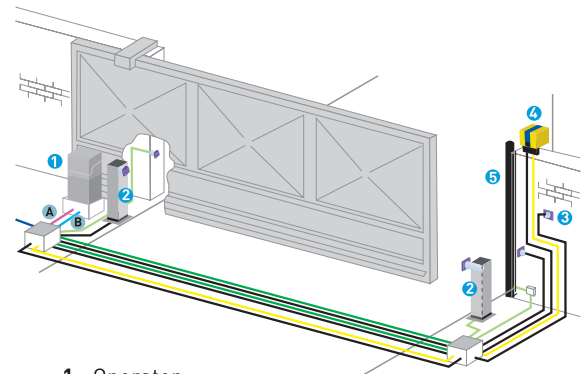
The **740-741 Sliding Gate Operator** is designed to efficiently move gates up to 15m long and weighing up to 500kg (740) and 900kg (741) in order to **control vehicle** and **pedestrian** access.



Reliable. Affordable. Dependable.
FAAC ... Leading the way.



740-741



- 1 Operator
- 2 Photocells
- 3 Key-operated push button
- 4 Flashing lamp
- 5 Safety Edge

The 740 range has 3 Models::

- 740 230v
- 740 24v
- 741 230v

The stylish 740-741 is both reliable and cost effective. The versatile 740 operator, available in 230v or 24v is for gates up to 500kg in weight; the 741 operator available in 230v is for gates up to 900kgs in weight.

All models have a fully adjustable base plate and limit switch attached to the unit - ensuring straightforward alignment during installation; and all models are totally compatible to our standard galvanised racking.

The double protected Control Board has a wide selection of operating logics including anti-crushing, end of cycle deceleration and partial opening for pedestrians, which aids security. Additionally the control board is hinged - swinging away from the operator for ease of wiring and is protected against condensation or humidity by an extra casing within the main housing.

A convenient manual release with customised key makes it possible to move the gate in the event of a power failure. Self-locking is a feature of the gear mechanism - with the gates locking wherever they stop which is an additional safety feature.

The 740-741 is the latest generation of sliding gate motors from FAAC (UK) Ltd.

Known for the extensive range of high quality products and innovative manufacturing techniques, FAAC continue to engineer reliable, versatile, leading-edge automation systems, chosen for residential and commercial installations on a worldwide basis. Providing high quality automation systems for gates, barriers, doors, parking and access control products, FAAC is the leading brand in the automation market.

740-741 Range Technical Specifications

	740 E Z16	741 E Z16	741 E Z16
Power supply:	230 Vac 50 (60) Hz	230 Vac 50 (60) Hz	230 Vac 50 (60) Hz
Absorbed Power:	350 W	500 W	70 W
Absorbed Current:	1,5A	2,2A	3A
Traction & Thrust Force:	45daN	65daN	40daN
Thermal Protection on Motor winding:	140C	140C	-
Max Gate Length:	15m	15m	15m
Max Gate Weight:	500kg	900kg	400kg
Gate speed:	12m/min (Z16 pinion)	12m/min (Z16 pinion)	12m/min (Z16 pinion)
Operating ambient temperature:	-20C-+55C	-20C-+55C	-20C-+55C
Protection class:	IP44	IP44	IP44
Dimensions:	295x255x325mm (Including pinion)	295x255x325mm (including pinion)	295x180x322mm (including pinion)

Model	Use	
	Max weight (kg)	Use frequency (%)
740 E 230v	500	30
741 E 230v	900	40
740 24v	500	100

www.DigiDsc.com
02144757973
09123036082

