

HHP - HOLE PUNCHERS

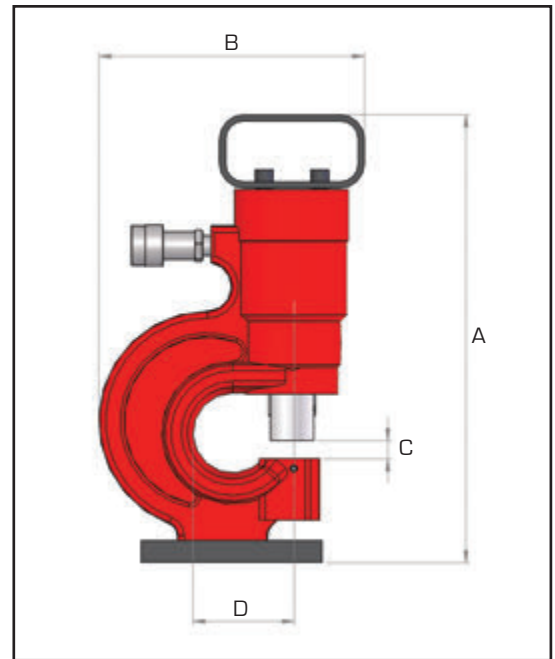


Punching force up to 50 tonnes

Throat depth 70mm

Working pressure 700 Bar

The Hi-Force HHP series hydraulic hole puncher range offers a choice of two models comprising of the HHP30, 30 tonnes capacity single acting version, and the HHP50, 50 tonnes capacity double acting version. Both models are suitable for punching holes in steel plate as per the respective capacity of each model and are supplied complete with standard punch and die sets and an integral positioning and carrying handle. See pages 29-50 for detailed information of suitable pumps for use with HHP series punchers.



K

Model number	Maximum force tonnes	Throat depth mm	Punch capacity (mm)		Standard punch/die sets included mm	Recommended pump & hose		Weight excl. pump kg
			Steel plate	Hole punch diameter		Manually operated	Pneumatically operated	
HHP30	30	70	10.0	up to 20.5	10.5, 13.5 17.5, 20.5	HP232 complete with HC3 3m hose	AHP1120 complete with HC3 3m hose	13
HHP50	50	70	15.0	up to 25.5	10.5, 13.5 17.5, 20.5, 25.5	HP232D c/w 2 x HC3	AHP1141 c/w 2 x HC3	42

Note: pump supplied separately

Model number	Dimensions in mm			
	A	B	C	D
HHP30	370.0	220	13	78.0
HHP50	413.5	281	15	70.6



The HHP30 is single acting operation, the HHP50 is double acting operation