



交流伺服电机
AC Servo Motor

埃斯顿自动化专注于运动控制领域高端产品的开发、生产和销售，现为国家重点支持的交流伺服系统研发和生产基地。本公司精心研制的全数字式交流伺服系统拥有完全自主知识产权，广泛应用于数控机床、纺织机械、包装机械、印刷机械、木工机械、自动化生产线等众多工业控制领域，现已与国内外众多机械制造商建立了长期的战略合作关系，成为其运动控制产品的首选合作伙伴。

As a national support prior AC servo system research, development and production base, Estun Automation is devoted to R&D, manufacturing and sales of high-end products in the realm of motion control. We are holding completely with self-owned IPR technology of our AC servo systems which can be applied in CNC machine, textile machine, packing machine, printing machine, wood-working machine and robotization production line, etc., Now, Estun has established long-term strategy cooperation with many prestigious machine manufacturers and become their first cooperation option for motion control products home and abroad.

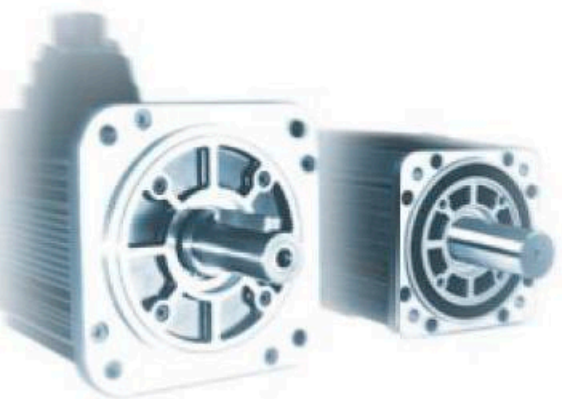


06 EMJ 型伺服电机
EMJ Model Servo Motor

09 EMG 型伺服电机
EMG Model Servo Motor

12 EML 型伺服电机
EML Model Servo Motor

15 EMB 型伺服电机
EMB Model Servo Motor



特点 Features

交流伺服电机 AC Servo Motor

低脉动、低温升 / Low pulsation, Low T-rise

ESTUN公司投入百万元引进了美国ANSOFT公司的专业电机设计软件以及二维 / 三维电磁场仿真软件。ESTUN交流伺服电机均通过该专业电机设计软件进行设计和仿真，通过对电磁场、瞬态场、温度场的有限元分析进行优化，极大地提高了交流伺服电机的性能。ESTUN交流伺服电机具有极小的齿槽转矩脉动，使得电机定位更加准确，低速性能明显优于以往产品。同时，电机温升也比以往产品下降20°C左右。

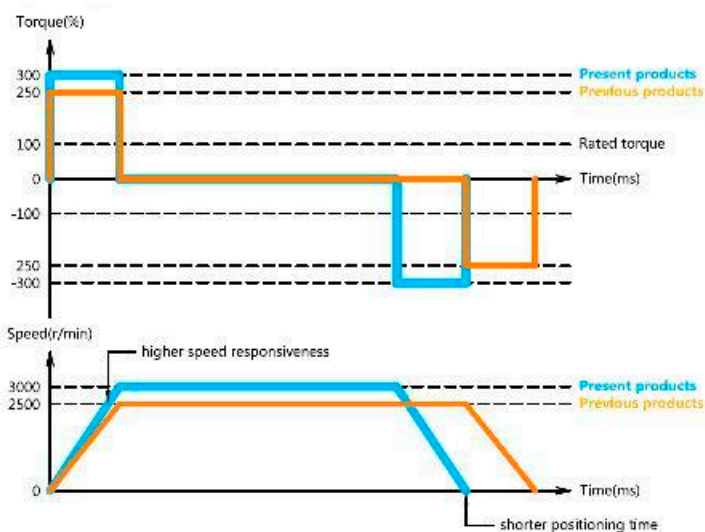
ESTUN has invested about one million RMB to import the special motor design software and two-dimension / three-dimension electromagnetic field emulation software from ANSOFT in U.S. ESTUN AC servo motors are all designed and emulated by the special motor design software. The optimization to FEA of electromagnetic field, transient field, temperature field extremely enhances the performance of AC servo motor. ESTUN AC servo motor's cogging torque pulsation is so small that the positioning of motor is more precise and the performance at low speed is obviously better than previous products. Meanwhile the motor temperature rise decreases about 20°C.



超快加速、超强过载 / Super acceleration, Super overload

ESTUN交流伺服电机的设计起点很高，在额定转速时瞬间最大转矩能够达到额定转矩的3倍，在最高转速时瞬间最大转矩也能够达到额定转矩的2倍。因此，具有十分优秀的加速度性能，特别适用于要求频繁起停的应用场合。

ESTUN AC servo motor has a very high design level. The instant maximum torque at rated speed can achieve 3 times of the rated torque, 2 times of rated torque at top speed. Therefore, the acceleration performance is outstanding and particularly fits for the applications which need frequent start-stop.



高防护等级 / High protection level

ESTUN交流伺服电机将防护等级的设计提高到IP65。轴端安装油封后，可以完全防止灰尘的进入以及喷射的水侵入，非常适用于数控机床、纺织机械、食品加工机械等应用场合。

ESTUN AC servo motor's protection level is raised to IP65. It can be completely protect from the dust and ejecting water by installing oil seal on the shaft end. It is very suitable for the applications such as CNC machine, Textiles machine, Food handing machine as so on.

高品质零部件 / High quality components



ESTUN交流伺服电机全部采用高品质零部件。

例如：光电编码器 and 旋转变压器采用TAMAGAWA品牌，轴承采用NSK品牌，油封采用NOK品牌，制动器采用MIKI PULLEY品牌。

ESTUN AC servo motor are all equipped with high quality components. Such as: TAMAGAWA for encoder and resolver, NSK for bearings, NOK for oil seal, MIKI PULLEY for brake.

型号对照表 / Model Comparison Table

伺服电机 Servo Motor						
系列 Series	功率 Power	型号 Model	200VAC	400VAC		
中惯量 Medium Inertia	小功率 Small	EMJ 3000r/min	200W	EMJ-02A□A□□	●	
			400W	EMJ-04A□A□□	●	
			750W	EMJ-08A□A□□	●	
			1000W	EMJ-10A□A□□	●	
	中功率 Medium	EMG 2000r/min	1.0kW	EMG-10A□A□□	●	
			1.5kW	EMG-15A□A□□	●	
			2.0kW	EMG-20A□A□□	●	
			3.0kW	EMG-30A□A□□	●	
			5.0kW	EMG-50A□A□□	●	
		EML 1000r/min	1.0kW	EML-10A□A□□	●	
			2.0kW	EML-20A□A□□	●	
			3.0kW	EML-30A□A□□	●	
	大功率 Large	EMB 1500r/min	4.0kW	EML-40A□A□□	●	
7.5kW			EMB-75D□A□□		●	
11kW			EMB-1AD□A□□		●	
		15kW	EMB-1ED□A□□		●	

产品特性 / Features

- 中惯量
- 峰值转矩达到额定转矩的300%
- 种类多样(200W~1000W、带制动器等)
- 最高转速4500r/min可进行高速运行
- 配备省线式编码器(2500P/R), 可选配旋转变压器
- Medium inertia
- Peak torque up to 300% of rated torque
- Various models (200W~1000W, with brake , etc.)
- Run at speed of up to 4500r/min
- Equipped with wire-saving encoder(2500P/R), Optional mounted resolver

用途事例 / Application

- 贴片机
- 印刷电路板打孔机
- 机械手
- 搬运机械
- 食品加工机械
- 纺织机械
- SMM(surface mounting machine)
- Pcb puncher machine
- Robot arm
- Handling machinery
- Foodstuff processing machinery
- Textile machinery



型号说明 / Specification Description

EMJ-08

EMJ型伺服电机
EMJ Model
Servo Motor

A

额定输出功率
Rated Output
Power

A

电源电压
Power
Voltage

P

编码器
Encoder

A

设计顺序
Designing
Sequence

1

轴端
Shaft End

1

选购件
Option Parts

记号 Sign	规格 Spec.	记号 Sign	规格 Spec.	记号 Sign	规格 Spec.	记号 Sign	规格 Spec.	记号 Sign	规格 Spec.
02	200W	A	200VAC	P	(增量省线型) 2500P/R Incremental Wire-saving Type: 2500P/R	A	设计 顺序 Designing Sequence	1	平直,不带键(标准) Flat, Without Keys (Standard)
04	400W							2	带油封 With Oil Seal
08	750W							3	带制动器(DC24V) With Brake (DC24V)
10	1000W			R	旋转变压器 Resolver			4	带油封,带制动器(DC24V) With Oil Seal, With Brake (DC24V)

额定值和规格 / Rated Value and Specification

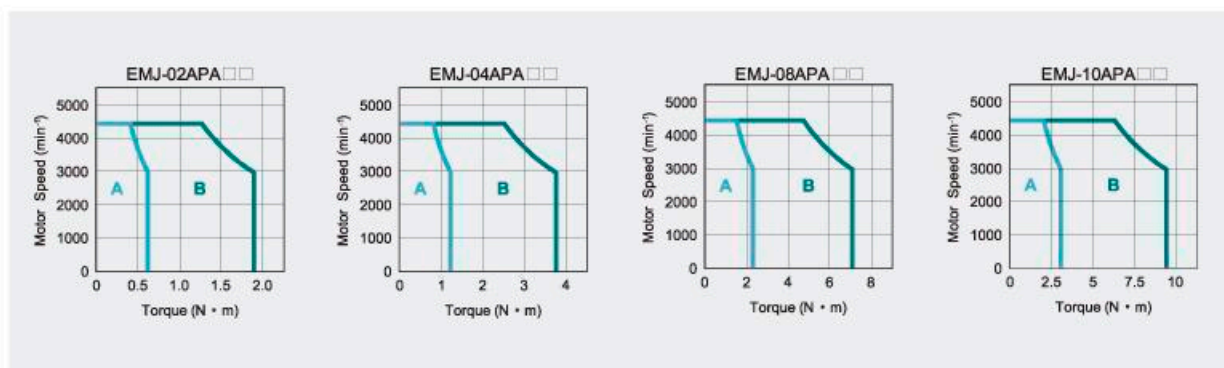
电压 Voltage			200VAC			
伺服电机型号 Servo Motor Model	EMJ-	02APA□□	04APA□□	08APA□□	10APA□□	
额定输出功率 Rated Output Power	W	200	400	750	1000	
额定转矩 Rated Torque	N.m	0.64	1.27	2.39	3.18	
瞬间最大转矩 Instantaneous Peak Torque	N.m	1.91	3.82	7.16	9.55	
额定电流 Rated Current	Arms	1.3	2.7	4.0	5.3	
瞬间最大电流 Instantaneous Max Current	Arms	3.9	8.1	12.0	15.9	
额定转速 Rated Speed	r/min	3000				
最高转速 Max. Speed	r/min	4500				
转子转动惯量 Rotor Moment Of Inertia	X10 ⁻⁴ kg·m ²	0.19 (0.23)	0.31 (0.35)	1.35 (1.47)	1.74 (1.87)	
制动器额定电压 Brake Rated Voltage	DC24V±10%					
制动器额定功率 Brake Rated Power	W	7.2		11.5		
制动器保持转矩 Brake Holding Torque	N.m	1.3		3.2		
编码器 Encoder	标准 Standard	增量式编码器; 2500P/R Incremental Encoder: 2500P/R				
	选项 Options	旋转变压器 Resolver				
耐热等级 Insulation Class	F					
环境温度 Ambient Temperature	0 ~ +40°C(不结冻) 0 to + 40°C (no freezing)					
环境湿度 Ambient Humidity	20%~80% RH(不结露) 20 to 80% RH (non-condensing)					
抗振性能 Vibration	49m/s ²					
保护方式 Enclosure	全封闭, 自冷, IP65(除输出轴承和连接器) Totally Enclosed, Self-cooled, IP65 (Except for shaft opening and connectors)					

(注) 括号内的数值表示的是带制动器电机的值。

(Notes) The values in parentheses are for servo motors with holding brakes.

转矩-转速特性

Torque-Speed Feature

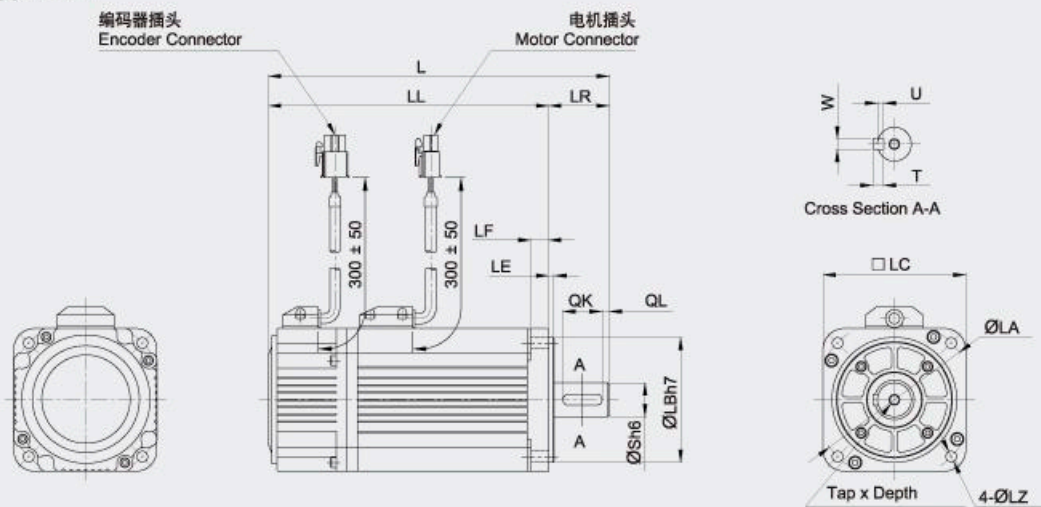


A: 连续工作区域 B: 反复工作区域

A: Continuous Working Area B: Repeatedly Working Area

外形尺寸 / Dimension

单位: 毫米 Unit: mm



型号 Model EMJ-	L	LL	法兰面 Flange Side							S	螺纹孔×深度 Tap×Depth	键 Key				
			LR	LE	LF	LC	LA	LB	LZ			QK	QL	W	T	U
02APA□□	153(193)	123(163)	30	3	6	60	70	50	5.5	14	M5×10L	16	4	5	5	3
04APA□□	183(223)	153(193)	30	3	6	60	70	50	5.5	14	M5×10L	16	4	5	5	3
08APA□□	191(234)	156(199)	35	3	9	80	90	70	6	19	M6×15L	22	4	6	6	3.5
10APA□□	211(254)	176(219)	35	3	9	80	90	70	6	19	M6×15L	22	4	6	6	3.5

(注) 括号内的数值表示的是带制动器电机的尺寸。

(Notes) The dimension in parentheses are for servo motors with holding brakes.

电机插头接线规格

Motor Connector Specification

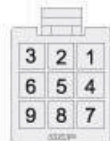


- 插头 Plug: 172167-1(AMP)
- 针 Pin: 170360-1(AMP)

针号 Pin No.	信号 Signal	颜色 Color
1	U	红 Red
2	V	蓝 Blue
3	W	白 White
4	FG	绿/黄 Green/Yellow

编码器插头接线规格

Encoder Connector Specification



- 插头 Plug: 172169-1(AMP)
- 针 Pin: 170359-3(AMP)

增量式编码器

Incremental Encoder

针号 Pin No.	信号 Signal	颜色 Color
1	A+	蓝 Blue
2	B+	绿 Green
3	C+	黄 Yellow
4	A-	蓝/黑 Blue/Black
5	B-	绿/黑 Green/Black
6	C-	黄/黑 Yellow/Black
7	PG5V	红 Red
8	PG0V	黑 Black
9	FG	屏蔽 Shield

旋转变压器

Resolver

针号 Pin No.	信号 Signal	颜色 Color
1	SIN+	蓝 Blue
2	COS+	红 Red
4	SIN-	黄 Yellow
5	COS-	黑 Black
7	R1	红/白 Red/White
8	R2	黄/白 Yellow/White
9	FG	屏蔽 Shield

制动器插头接线规格

Brake Connector Specification



- 插头 Plug: 172165-1(AMP)
- 针 Pin: 170360-1(AMP)

针号 Pin No.	信号 Signal	颜色 Color
1	B1	蓝 Blue
2	B2	白 White

产品特性 / Features

- 用于高速驱动各种机械的进给轴
- 种类多样(1.0kW~5.0kW、带制动器等)
- 配备省线式编码器(2500P/R), 可选配旋转变压器
- 标准配置为IP65
- Be used to drive the feed shaft of various machinery
- Various products (1.0kW~5.0kW, with brake, etc.)
- Equipped with wire-saving encoder(2500P/R), Optional mounted resolver
- Standard configuration is IP65

用途事例 / Application

- 机床
- 搬运机械
- 食品加工机械
- 纺织机械
- Machine tools
- Handling machinery
- Foodstuff processing machinery
- Textile machinery



型号说明 / Specification Description

EMG-10

EMG型伺服电机
EMG Model Servo Motor

A

额定输出功率
Rated Output Power

P

编码器
Encoder

A

设计顺序
Designing Sequence

1

轴端
Shaft End

1

选购件
Option Parts

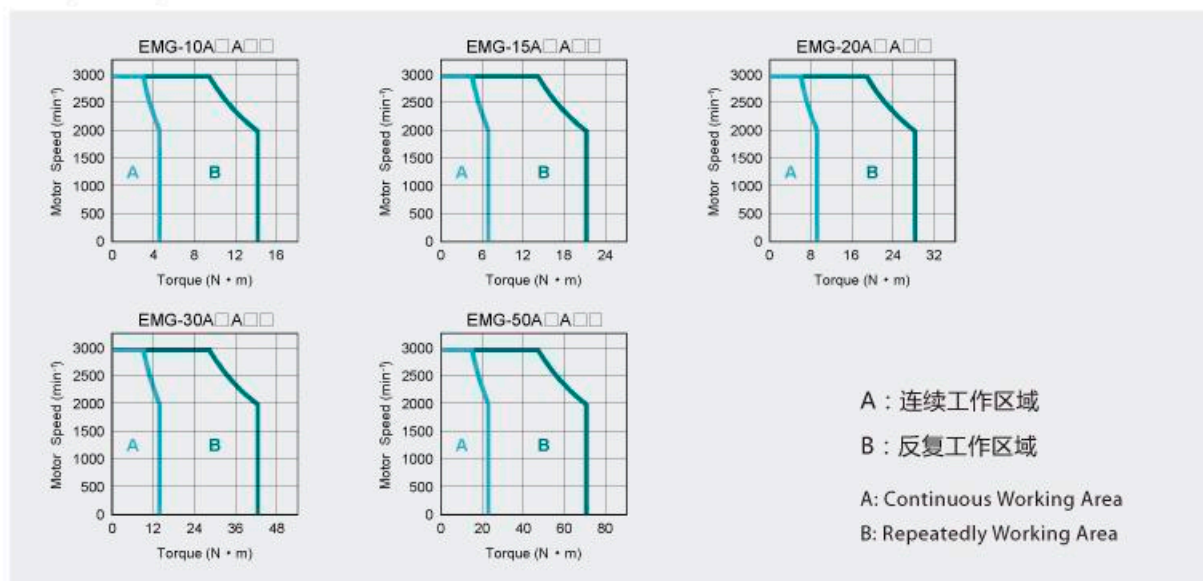
记号 Sign	规格 Spec.	记号 Sign	规格 Spec.	记号 Sign	规格 Spec.	记号 Sign	规格 Spec.	记号 Sign	规格 Spec.
10	1.0kW	A	200VAC	P	(增量省线型) 2500P/R Incremental Wire-saving Type: 2500P/R	A	设计 顺序 Designing Sequence	1	平直,不带键(标准) Flat, Without Keys (Standard)
15	1.5kW							2	平直,带键,带螺纹 Flat, With Keys With Screw Thread
20	2.0kW			R	旋转变压器 Resolver			3	带制动器(DC24V) With Brake (DC24V)
30	3.0kW							4	带油封,带制动器(DC24V) With Oil Seal, With Brake (DC24V)
50	5.0kW								

额定值和规格 / Rated Value and Specification

电压 Voltage			200VAC				
伺服电机型号 Servo Motor Model	EMG-	10A□A□□	15A□A□□	20A□A□□	30A□A□□	50A□A□□	
额定输出功率 Rated Output Power	W	1.0	1.5	2.0	3.0	5.0	
额定转矩 Rated Torque	N.m	4.78	7.16	9.55	14.3	23.9	
瞬间最大转矩 Instantaneous Peak Torque	N.m	14.3	21.5	28.7	43.0	71.6	
额定电流 Rated Current	Arms	6.0	9.0	12.0	18.0	28.0	
瞬间最大电流 Instantaneous Max. Current	Arms	18.0	27.0	36.0	54.0	84.0	
额定转速 Rated Speed	r/min	2000					
最高转速 Max. Speed	r/min	3000					
转子转动惯量 Rotor Moment of Inertia	X10 ⁴ kg·m ²	10.0 (10.6)	14.5 (15.1)	19.0 (19.6)	41.3 (44.5)	65.7 (68.9)	
制动器额定电压 Brake Rated Voltage	DC24V±10%						
制动器额定功率 Brake Rated Power	W	19			35		
制动器保持转矩 Brake Holding Torque	N.m	10			40		
编码器 Encoder	标准 Standard	增量式编码器: 2500P/R Incremental Encoder: 2500P/R					
	选项 Options	旋转变压器 Resolver					
耐热等级 Insulation Class	F						
环境温度 Ambient Temperature	0 ~ +40°C (不结冻) 0 to +40°C (No freezing)						
环境湿度 Ambient Humidity	20%~80% RH (不结露) 20 to 80% RH (Non-condensing)						
抗振性能 Vibration	24.5m/s ²						
保护方式 Enclosure	全封闭, 自冷, IP65 (除输出轴承和连接器) Totally enclosed, self-cooled, IP65 (except for shaft opening and connectors)						

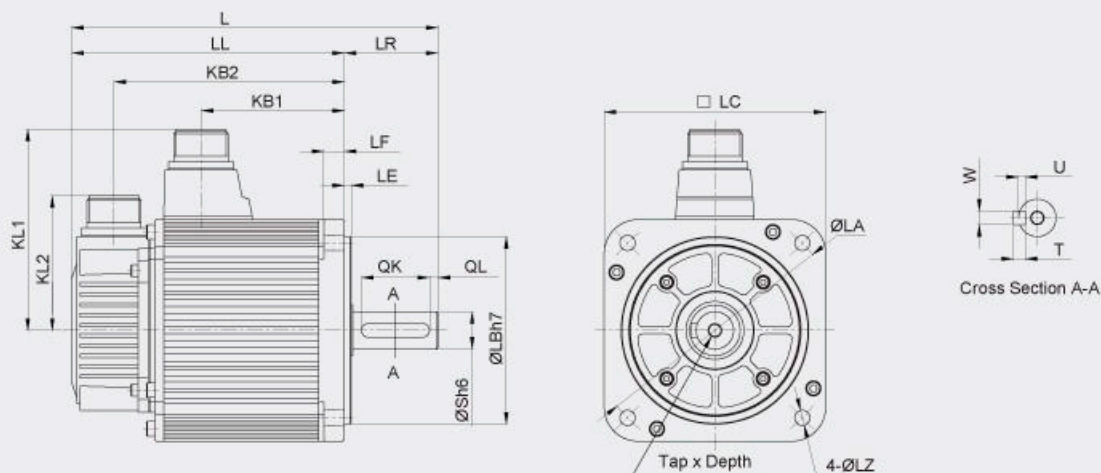
(注) 括号内的数值表示的是带制动器电机的值。
 (Notes) The values in parentheses are for servo motors with holding brakes.

转矩-转速特性
Torque-Speed Feature



外形尺寸 / Dimension

单位: 毫米 Unit: mm



型号 Model EMG-	L	LL	KB1	KB2	KL1	KL2	法兰面 Flange Side						S	螺纹孔×深度 Tap×Depth	键 Key					
							LR	LE	LF	LC	LA	LB			LZ	QK	QL	W	T	U
10A□A□□	215(269.5)	160(214.5)	84	135(189.5)	118	79	55	4	12	130	145	110	9	22	M6×20L	40	5	8	7	4
15A□A□□	240(294.5)	185(239.5)	109	160(214.5)	118	79	55	4	12	130	145	110	9	22	M6×20L	40	5	8	7	4
20A□A□□	265(319.5)	210(264.5)	134	185(239.5)	118	79	55	4	12	130	145	110	9	22	M6×20L	40	5	8	7	4
30A□A□□	307(378)	228(299)	143	203(274)	140	79	79	3.2	18	180	200	114.3	13.5	35	M8×16L	55	6	10	8	5
50A□A□□	347(418)	268(339)	183	243(314)	140	79	79	3.2	18	180	200	114.3	13.5	35	M8×16L	55	6	10	8	5

(注) 括号内的数值表示的是带制动器电机的尺寸。

(Notes) The dimension in parentheses are for servo motors with holding brakes.

电机连接器接线规格

Motor Connector Specification

- 插座 Receptacle:
MS3102A20-4P (LC=130)
MS3102A22-22P (LC=180)
- 插头 Plug:
MS3108B20-4S (LC=130)
MS3108B22-22S (LC=180)
- 电缆夹 Cable clamp:
MS3057-12A



针号 Pin No.	信号 Signal
A	U
B	V
C	W
D	FG

编码器连接器接线规格

Encoder Connector Specification

- 插座 Receptacle: MS3102A20-29P
- 插头 Plug: MS3108B20-29S
- 电缆夹 Cable clamp: MS3057-12A



增量式编码器

Incremental Encoder

针号 Pin No.	信号 Signal	颜色 Color
A	A+	蓝 Blue
B	A-	蓝/黑 Blue/Black
C	B+	绿/黑 Green/Black
D	B-	绿 Green
E	C+	黄 Yellow
F	C-	黄/黑 Yellow/Black
G	PG0V	黑 Black
H	PG5V	红 Red
J	FG	屏蔽 Shield

旋转变压器

Resolver

针号 Pin No.	信号 Signal	颜色 Color
K	SIN+	蓝 Blue
L	SIN-	黄 Yellow
T	COS+	红 Red
S	COS-	黑 Black
H	R1	红/白 Red/White
G	R2	黄/白 Yellow/White
J	FG	屏蔽 Shield

制动器连接器接线规格

Brake Connector Specification

- 插座 Receptacle:
MS3102A10SL-3P
- 插头 Plug:
MS3106A10SL-3S
- 电缆夹 Cable clamp:
MS3057-4A



针号 Pin No.	信号 Signal
A	B1
B	B2
C	-

EML

型伺服电机

Model Servo Motor

产品特性 / Features

- 用于高速驱动各种机械的进给轴
- 种类多样(1.0kW~4.0kW、带制动器等)
- 配备省线式编码器(2500P/R), 可选配旋转变压器
- 标准配置为IP65
- Be used to drive the feed shaft of various machinery
- Various products (1.0kW~4.0kW, with brake, etc.)
- Equipped with wire-saving encoder(2500P/R), Optional mounted resolver
- Standard configuration is IP65

用途事例 / Application

- 机床
- 搬运机械
- 食品加工机械
- 纺织机械
- Machine tools
- Handling machinery
- Foodstuff processing machinery
- Textile machinery



型号说明 / Specification Description

EML-10

EML型伺服电机
EML Model
Servo Motor

A

额定输出功率
Rated Output
Power

P

编码器
Encoder

A

设计顺序
Designing
Sequence

1

轴端
Shaft End

1

选购件
Option Parts

记号 Sign	规格 Spec.	记号 Sign	规格 Spec.	记号 Sign	规格 Spec.	记号 Sign	规格 Spec.	记号 Sign	规格 Spec.
10	1.0kW	A	200VAC	P (增量省线型) 2500P/R Incremental Wire-saving Type: 2500P/R	A 设计 顺序 Designing Sequence	1	平直,不带键(标准) Flat, Without Keys (Standard)	1	不带选购件 None
20	2.0kW			R 旋转变压器 Resolver		2	平直,带键,带螺纹 Flat, With Keys With Screw Thread	2	带油封 With Oil Seal
30	3.0kW							3	带制动器(DC24V) With Brake (DC24V)
40	4.0kW							4	带油封,带制动器(DC24V) With Oil Seal, With Brake (DC24V)

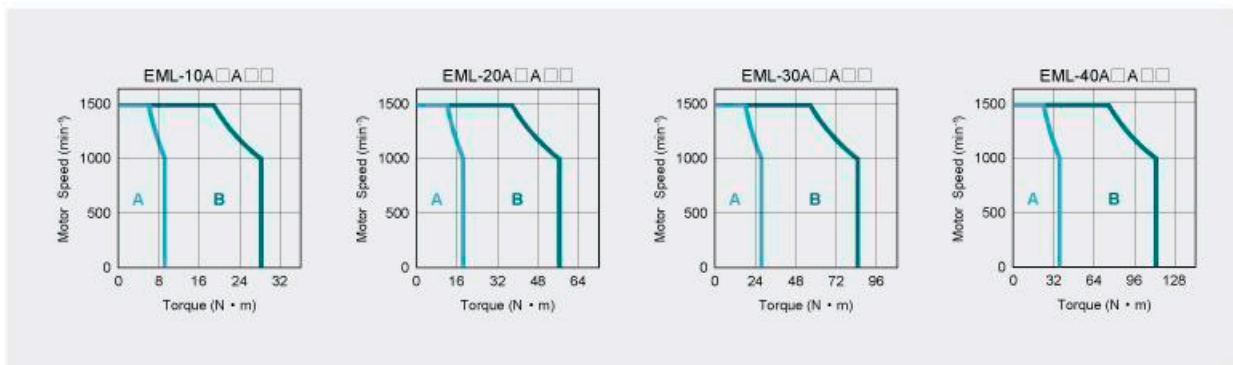
额定值和规格 / Rated Value and Specification

电压 Voltage			200VAC			
伺服电机型号 Servo Motor Model	EML-		10A□A□□	20A□A□□	30A□A□□	40A□A□□
额定输出功率 Rated Output Power	W		1.0	2.0	3.0	4.0
额定转矩 Rated Torque	N.m		9.55	19.1	28.7	38.2
瞬间最大转矩 Instantaneous Peak Torque	N.m		28.7	57.3	86.0	114.6
额定电流 Rated Current	Arms		6.0	12.0	18.0	24.0
瞬间最大电流 Instantaneous Max. Current	Arms		18.0	36.0	54.0	72.0
额定转速 Rated Speed	r/min		1000			
最高转速 Max. Speed	r/min		1500			
转子转动惯量 Rotor Moment of Inertia	X10 ⁻⁴ kg·m ²		19.0 (19.6)	53.5 (56.7)	77.8 (81.0)	102.2 (105.4)
制动器额定电压 Brake Rated Voltage			DC24V±10%			
制动器额定功率 Brake Rated Power	W		19	35		
制动器保持转矩 Brake Holding Torque	N.m		10	40		
编码器 Encoder	标准 Standard	增量式编码器: 2500P/R Incremental Encoder: 2500P/R				
	选项 Options	旋转变压器 Resolver				
耐热等级 Insulation Class			F			
环境温度 Ambient Temperature			0~+40°C (不结冻) 0 to +40°C (No freezing)			
环境湿度 Ambient Humidity			20%~80% RH (不结露) 20 to 80% RH (Non-condensing)			
抗振性能 Vibration			24.5m/s ²			
保护方式 Enclosure			全封闭, 自冷, IP65 (除输出轴承和连接器) Totally enclosed, Self-cooled, IP65 (Except for shaft opening and connectors)			

(注) 括号内的数值表示的是带制动器电机的值。

(Notes) The values in parentheses are for servo motors with holding brakes.

转矩-转速特性 Torque-Speed Feature

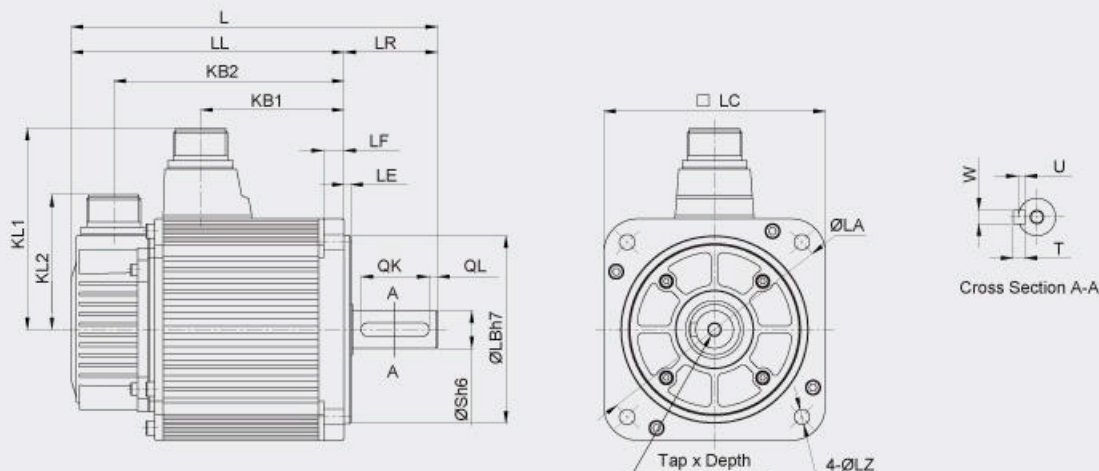


A : 连续工作区域 B : 反复工作区域

A: Continuous Working Area B: Repeatedly Working Area

外形尺寸 / Dimension

单位: 毫米 Unit: mm



型号 Model EML-	L	LL	KB1	KB2	KL1	KL2	法兰面 Flange side							S	螺纹孔×深度 Tap×Depth	键 Key				
							LR	LE	LF	LC	LA	LB	LZ			QK	QL	W	T	U
10A□A□□	265(319.5)	210(264.5)	134	185(187.5)	118	79	55	4	12	130	145	110	9	22	M6×20L	40	5	8	7	4
20A□A□□	332(401)	253(322)	168	228(245)	140	79	79	3.2	18	180	200	114.3	13.5	35	M8×16L	55	6	10	8	5
30A□A□□	372(443)	293(364)	208	268(287)	140	79	79	3.2	18	180	200	114.3	13.5	35	M8×16L	55	6	10	8	5
40A□A□□	412(478)	333(399)	243	308(322)	140	79	79	3.2	18	180	200	114.3	13.5	35	M8×16L	55	6	10	8	5

(注) 括号内的数值表示的是带制动器电机的尺寸。
(Notes) The dimension in parentheses are for servo motors with holding brakes.

电机连接器接线规格
Motor Connector Specification

- 插座 Receptacle:
MS3102A20-4P (LC=130)
MS3102A22-22P (LC=180)
- 插头 Plug:
MS3108B20-4S (LC=130)
MS3108B22-22S (LC=180)
- 电缆夹 Cable clamp:
MS3057-12A



针号 Pin No.	信号 Signal
A	U
B	V
C	W
D	FG

制动器连接器接线规格
Brake Connector Specification

- 插座 Receptacle:
MS3102A10SL-3P
- 插头 Plug:
MS3106A10SL-3S
- 电缆夹 Cable clamp:
MS3057-4A



针号 Pin No.	信号 Signal
A	B1
B	B2
C	-

编码器连接器接线规格
Encoder Connector Specification

- 插座 Receptacle: MS3102A20-29P
- 插头 Plug: MS3108B20-29S
- 电缆夹 Cable clamp: MS3057-12A



增量式编码器
Incremental Encoder

针号 Pin No.	信号 Signal	颜色 Color
A	A+	蓝 Blue
B	A-	蓝/黑 Blue/Black
C	B+	绿/黑 Green/Black
D	B-	绿 Green
E	C+	黄 Yellow
F	C-	黄/黑 Yellow/Black
G	PG0V	黑 Black
H	PG5V	红 Red
J	FG	屏蔽 Shield

旋转变压器
Resolver

针号 Pin No.	信号 Signal	颜色 Color
K	SIN+	蓝 Blue
L	SIN-	黄 Yellow
T	COS+	红 Red
S	COS-	黑 Black
H	R1	红/白 Red/White
G	R2	黄/白 Yellow/White
J	FG	屏蔽 Shield

产品特性 / Features

- 电源电压400V
- Power supply voltage: 400V
- 用于驱动各种机械的进给轴
- Driving of feed shafts for various
- 种类多样(7.5kW~15.0kW, 带制动器等)
- Various products (7.5kW~15.0kW, with brake, etc.)
- 配备省线式编码器(2500P/R), 可选配旋转变压器
- Equipped with wire-saving encoder(2500P/R), Optional mounted resolver
- 标准配置为IP65
- Standard configuration is IP65

用途事例 / Application

- 机床
- Machine tools
- 搬运机械
- Handling machinery
- 食品加工机械
- Foodstuff processing machinery
- 纺织机械
- Textile machinery



型号说明 / Specification Description

EMB-1E D P A 1 1

EMB型伺服电机
EMB Model
Servo Motor

额定输出功率
Rated Output
Power

电源电压
Power
Voltage

编码器
Encoder

设计顺序
Designing
Sequence

轴端
Shaft End

选购件
Option Parts

记号 Sign	规格 Spec.	记号 Sign	规格 Spec.	记号 Sign	规格 Spec.	记号 Sign	规格 Spec.	记号 Sign	规格 Spec.
75	7.5kW	D	400VAC	P (增量省线型) 2500P/R Incremental Wire-saving Type: 2500P/R	A 设计 顺序 Designing Sequence	1 平直,不带键(标准) Flat, Without Keys (Standard)	1 不带选购件 None		
1A	11.0kW			R 旋转变压器 Resolver		2 平直,带键,带螺纹 Flat, With Keys With Screw Thread	2 带油封 With Oil Seal		
1E	15.0kW						3 带制动器(DC24V) With Brake (DC24V)		
							4 带油封,带制动器(DC24V) With Oil Seal, With Brake (DC24V)		

额定值和规格 / Rated Value and Specification

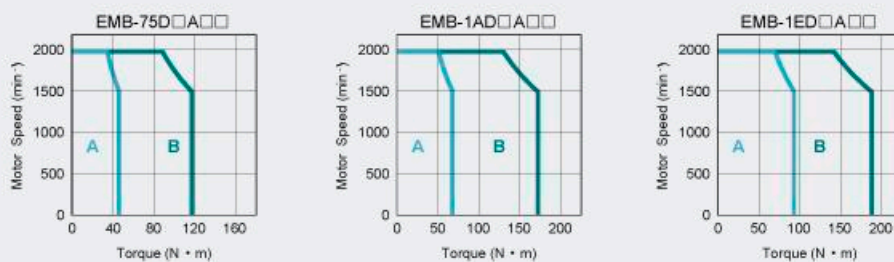
电压 Voltage			400VAC		
伺服电机型号 Servo Motor Model	EMB-		75D□A□□	1AD□A□□	1ED□A□□
额定输出功率 Rated Output Power	kW		7.5	11.0	15.0
额定转矩 Rated Torque	N.m		47.8	70.0	95.5
瞬间最大转矩 Instantaneous Peak Torque	N.m		119.4	175	191
额定电流 Rated Current	Arms		18.0	28.0	38.0
瞬间最大电流 Instantaneous Max. Current	Arms		56.0	70.0	84.0
额定转速 Rated Speed	r/min		1500		
最高转速 Max. Speed	r/min		2000		
转子转动惯量 Rotor Moment of Inertia	$\times 10^{-4} \text{kg}\cdot\text{m}^2$		186.2 (193.6)	271.6 (278.9)	338.8 (346.1)
制动器额定电压 Brake Rated Voltage			DC24V \pm 10%		
制动器额定功率 Brake Rated Power	W		90		
制动器保持转矩 Brake Holding Torque	N.m		100		
编码器 Encoder	标准 Standard	增量式编码器; 2500P/R Incremental Encoder: 2500P/R			
	选项 Options	旋转变压器 Resolver			
耐热等级 Insulation Class			F		
环境温度 Ambient Temperature			0 ~ +40°C (不结冻) 0 to +40°C (No freezing)		
环境湿度 Ambient Humidity			20%~80% RH (不结露) 20 to 80% RH (Non-condensing)		
抗振性能 Vibration			24.5m/s ²		
保护方式 Enclosure			全封闭, 自冷, IP44 Totally enclosed, Self-cooled, IP44		

(注) 括号内的数值表示的是带制动器电机的值。

(Notes) The values in parentheses are for servo motors with holding brakes.

转矩-转速特性

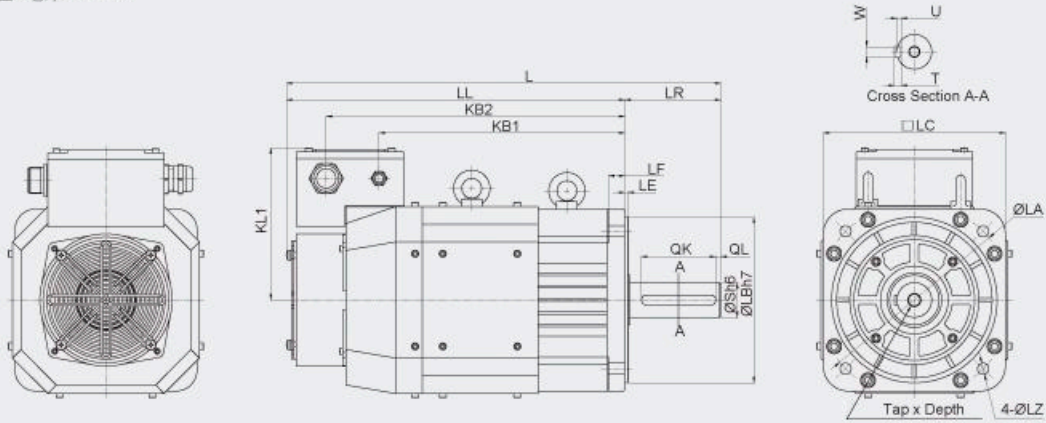
Torque-Speed Feature



A : 连续工作区域 B : 反复工作区域
A: Continuous Working Area B: Repeatedly Working Area

外形尺寸 / Dimension

单位: 毫米 Unit: mm



型号 Model EMG-	L	LL	KB1	KB2	KL1	法兰面 Flange Side							S	螺纹孔×深度 Tap×Depth	键 Key				
						LR	LE	LF	LC	LA	LB	LZ			QK	QL	W	T	U
75D□A□□	530 (625)	414 (509)	366 (461)	302 (397)	184	116	4	20	220	235	200	13.5	42	M16×32L	90	6	12	8	5
1AD□A□□	580 (675)	464 (559)	416 (511)	352 (447)	184	116	4	20	220	235	200	13.5	42	M16×32L	90	6	12	8	5
1ED□A□□	615 (710)	499 (594)	451 (546)	387 (482)	184	116	4	20	220	235	200	13.5	55	M20×40L	90	6	16	10	6

(注) 括号内的数值表示的是带制动器电机的尺寸。

(Notes) The dimension in parentheses are for servo motors with holding brakes.

编码器连接器接线规格

Encoder Connector Specification



- 插座 Receptacle: MS3102A20-29P
- 插头 Plug: MS3108B20-29S
- 电缆夹 Cable clamp: MS3057-12A

增量式编码器

Incremental Encoder

针号 Pin No.	信号 Signal	颜色 Color
A	A+	蓝 Blue
B	A-	蓝/黑 Blue/Black
C	B+	绿/黑 Green/Black
D	B-	绿 Green
E	C+	黄 Yellow
F	C-	黄/黑 Yellow/Black
G	PG0V	黑 Black
H	PG5V	红 Red
J	FG	屏蔽 Shield

旋转变压器

Resolver

针号 Pin No.	信号 Signal	颜色 Color
K	SIN+	蓝 Blue
L	SIN-	黄 Yellow
T	COS+	红 Red
S	COS-	黑 Black
H	R1	红/白 Red/White
G	R2	黄/白 Yellow/White
J	FG	屏蔽 Shield



埃斯顿
与您共成长!

GROWING TOGETHER!

南京埃斯顿自动控制技术有限公司
ESTUN AUTOMATION TECHNOLOGY CO.,LTD

地址：南京市江宁经济开发区将军大道155号
电话：025-52785866(总机) 52785989(直线)
传真：025-52785576

ADD: 155, Jiangjun Road, Jiangning Economical
& Technical Development Zone, Nanjing, P.R C.

TEL: +86-25-52785866 52785989

FAX: +86-25-52785576

<http://www.estun-servo.com>

E-mail: info@estun.com

当地经销商：



Version: ProNet-0903A

内容如有更改，恕不另行通知。