

Title/Titre

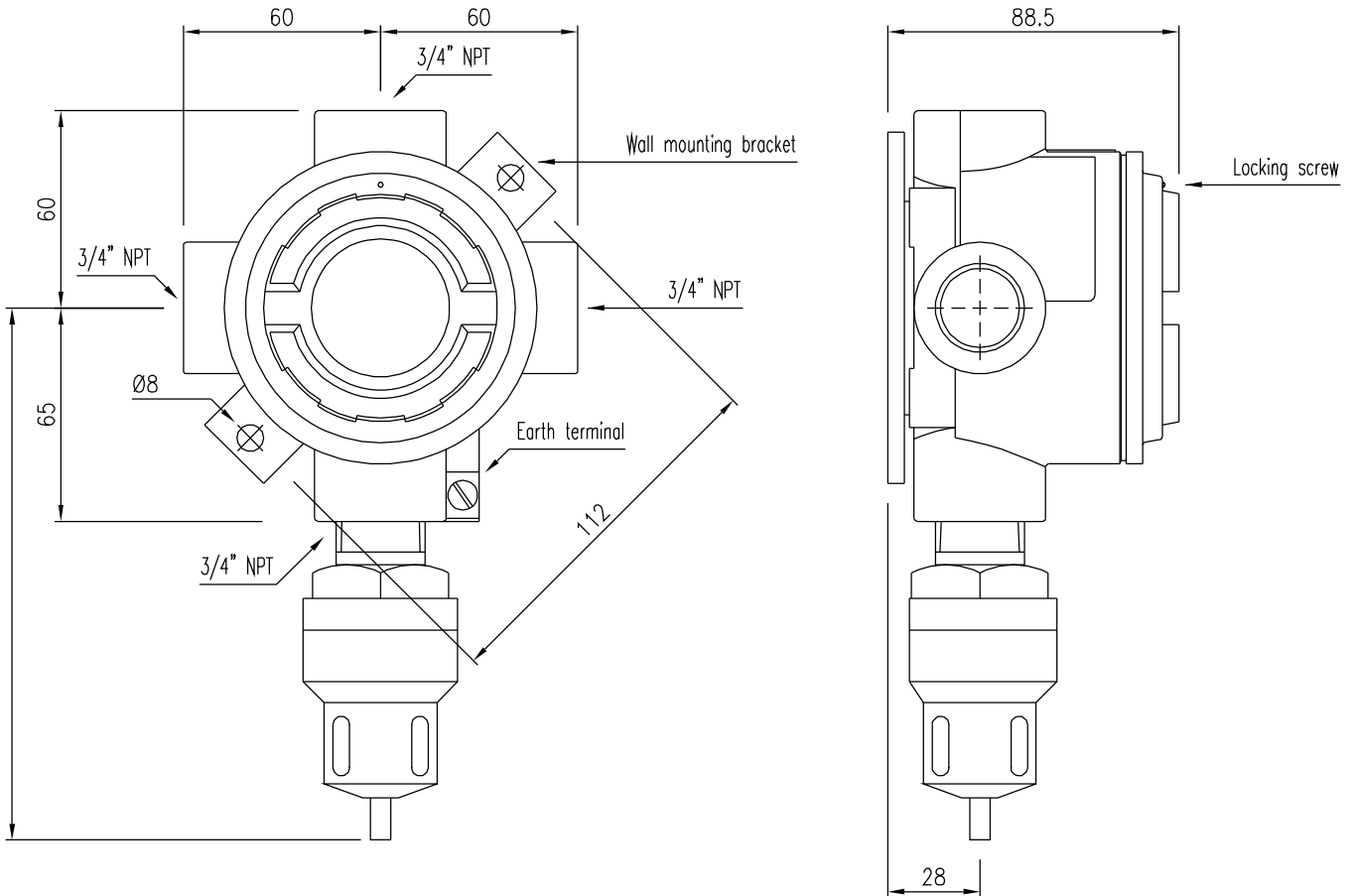
METHANE CH4 GAS DETECTOR - EXPLOSION PROOF

Document No / Document Nu

SA-014925-DS-A4

Sh/Fe Off/De

1 1



TECHNICAL DATA:

| | |
|----------------------------|-----------------------------------|
| Power Supply | 10-32Vdc |
| Operating Temperature..... | -40°C ~ +85°C |
| Proportional Output..... | 4-20mA |
| Detection type..... | Catalytic |
| Relative Humidity..... | 0-95% RH not condensing |
| Sensor response time | <0,5/4.5 sec |
| Protection degree..... | IP65 |
| Material enclosure..... | anodized & epoxy painted aluminum |
| Sensor Body Material..... | AISI 316L |
| Weight..... | 900g |
| Cable entry..... | 3/4" NPT |
| Certification..... | ATEX II 2G - Exd IIC T6 |
| Approval..... | CE |
| Gas..... | Methane (CH4) |
| Model..... | AGD-0X CCFL CH4 100 |



| 1 | 13/12/11 | REVISIONE/REVISED | G.R. | G.M. | D. P. |
|-----------|-----------|-------------------------|-------------|-------------|-----------------|
| 0 | 26/09/11 | EMESSO/ISSUED | G.M. | G.M. | D.P. |
| Rev/Rév : | Date/Date | Description/Description | Issued/Emis | Check/Contr | Approval/Approv |