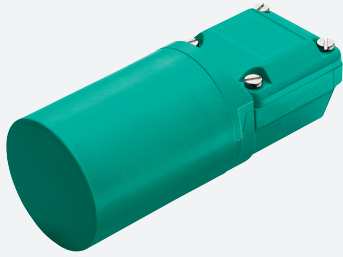


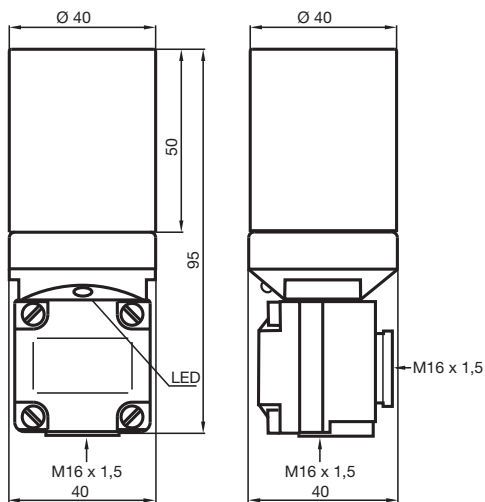
Inductive sensor

NJ20-40-A2

■ Comfort series



Dimensions



Technical Data

General specifications

Switching function		complementary
Output type		PNP
Rated operating distance	s_n	20 mm
Installation		non-flush
Output polarity		DC
Assured operating distance	s_a	0 ... 16.2 mm
Reduction factor r_{Al}		0.4
Reduction factor r_{Cu}		0.3
Reduction factor r_{304}		0.85

Nominal ratings

Operating voltage	U_B	10 ... 30 V
Switching frequency	f	0 ... 100 Hz
Reverse polarity protection		reverse polarity protected

Release date: 2020-03-30 Date of issue: 2020-09-03 Filename: 008060_eng.pdf

Refer to "General Notes Relating to Pepperl+Fuchs Product Information".

Pepperl+Fuchs Group
www.pepperl-fuchs.com

USA: +1 330 486 0001
fa-info@us.pepperl-fuchs.com

Germany: +49 621 776 1111
fa-info@de.pepperl-fuchs.com

Singapore: +65 6779 9091
fa-info@sg.pepperl-fuchs.com

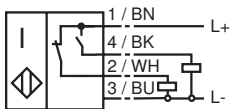
PEPPERL+FUCHS

Technical Data

Short-circuit protection		pulsing
Voltage drop	U_d	$\leq 3 \text{ V}$
Operating current	I_L	0 ... 200 mA
No-load supply current	I_0	$\leq 20 \text{ mA}$
Switching state indicator		LED, yellow
Standard conformity		
Standards		IEC / EN 60947-5-2:2004
Ambient conditions		
Ambient temperature		-25 ... 70 °C (-13 ... 158 °F)
Mechanical specifications		
Core cross-section		up to 2.5 mm ²
Housing material		PBT
Sensing face		PBT
Degree of protection		IP67

Connection

A2



Accessories

	BF 40	Mounting flange, 40 mm
---	--------------	------------------------