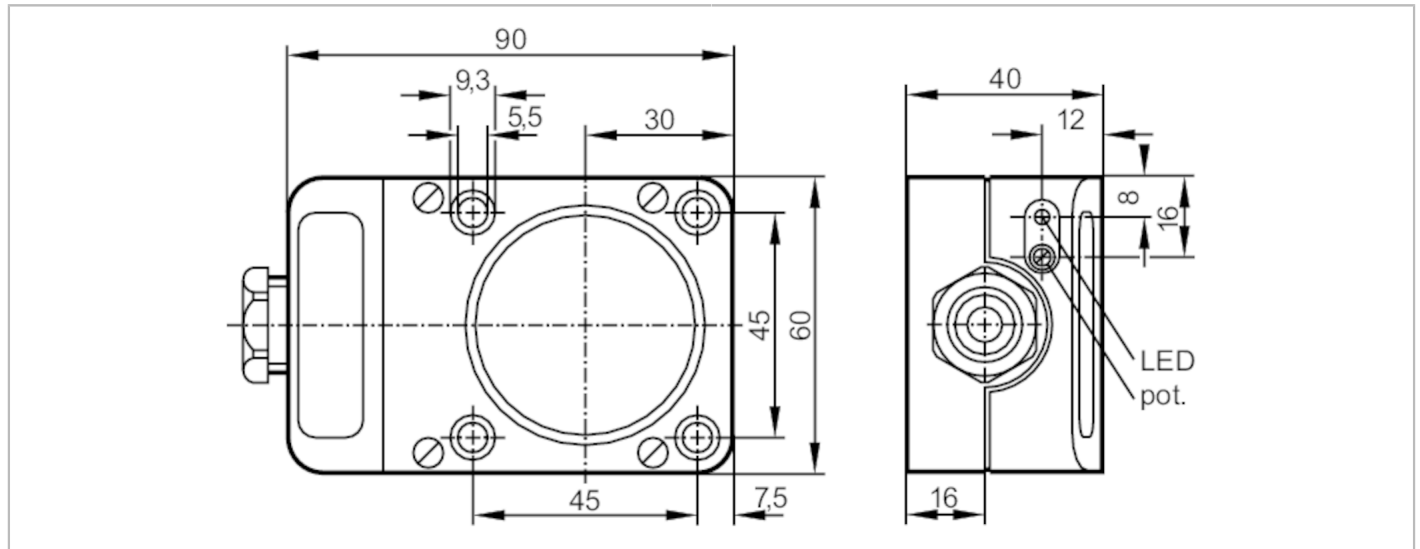


# IC5005



## Inductive sensor

ICE3040-FPKG



Product characteristics		
Electrical design		PNP
Output function		normally open / normally closed; (selectable)
Sensing range	[mm]	40
Housing		rectangular
Dimensions	[mm]	90 x 60 x 40
Electrical data		
Operating voltage	[V]	10...36 DC
Current consumption	[mA]	15; (24 V)
Protection class		II
Reverse polarity protection		yes
Outputs		
Electrical design		PNP
Output function		normally open / normally closed; (selectable)
Max. voltage drop switching output DC	[V]	2.5
Permanent current rating of switching output DC	[mA]	250
Switching frequency DC	[Hz]	15
Short-circuit protection		yes
Type of short-circuit protection		pulsed
Overload protection		yes
Detection zone		
Sensing range	[mm]	40
Sensing range adjustable		yes
Factory setting sensing range	[mm]	40
Real sensing range $S_r$	[mm]	$40 \pm 10 \%$
Operating distance	[mm]	0...32.4

# IC5005



## Inductive sensor

ICE3040-FPKG

Accuracy / deviations		
Correction factor	steel: 1 / stainless steel: 0.7 / brass: 0.4 / aluminium: 0.3 / copper: 0.2	
Hysteresis [% of Sr]	1...15	
Switch point drift [% of Sr]	-10...10	
Operating conditions		
Ambient temperature [°C]	-25...80	
Protection	IP 65	
Tests / approvals		
EMC	EN 60947-5-2	
MTTF [years]	1261	
UL approval	Ta	0...40 °C
	Enclosure type	Type 1
	power supply	Hazardous voltage
	File number UL	E174191
Mechanical data		
Weight [g]	268	
Housing	rectangular	
Mounting	non-flush mountable	
Dimensions [mm]	90 x 60 x 40	
Materials	PPE	
Displays / operating elements		
Display	switching status 1 x LED, yellow	
Accessories		
Items supplied	screwdriver: 1	
	spring washers: 4	
	cylinder screws: 4 x M5 x 35	
Remarks		
Pack quantity	1 pcs.	
Electrical connection		
terminals: ...2.5 mm <sup>2</sup> ; Cable sheath: Ø 7...13 mm; Cable gland: M20 X 1.5		
Connection		