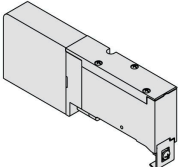
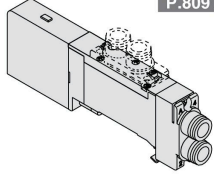
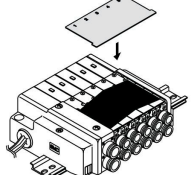
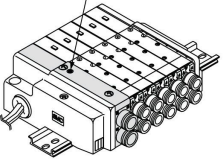
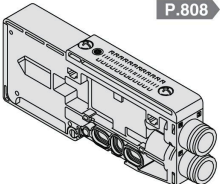
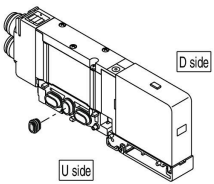
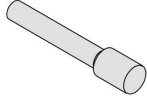
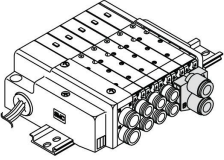
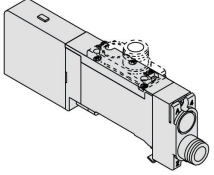
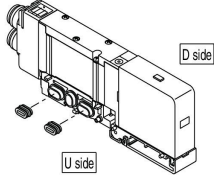
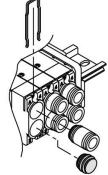
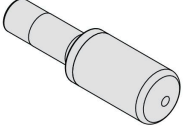
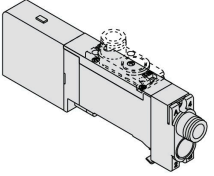
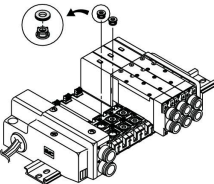
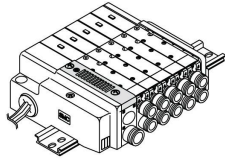
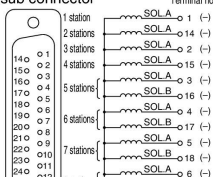


SQ2000 Series

Manifold Options

<p>Blanking plate SSQ2000-10A-3 P.808</p> 	<p>Individual SUP/EXH spacer SSQ2000-PR1-3-^{C8}_{L8} P.809</p> 	<p>Name plate (-N) SSQ2000-N3-n P.811</p> 	<p>External pilot specifications (-R) P.812</p> <p>External pilot port</p> 
<p>SUP/EXH block SSQ2000-PR-3-C10(-S) P.808</p> 	<p>SUP block plate SSQ1000-B-R P.810</p>  <p>D side</p> <p>U side</p>	<p>Blanking plug KQ2P-04/06/08/10 P.811</p> 	<p>Dual flow fitting SSQ2000-52A-^{C10}_{N11} P.812</p> 
<p>Individual SUP spacer SSQ2000-P-3-^{C8}_{L8} P.808</p> 	<p>EXH block plate SSQ2000-B-R P.810</p>  <p>D side</p> <p>U side</p>	<p>Port plug VVQZ2000-CP P.811</p> 	<p>Silencer (For EXH port) P.812</p> 
<p>Individual EXH spacer SSQ2000-R-3-^{C8}_{L8} P.809</p> 	<p>Back pressure check valve (-B) SSQ2000-BP P.810</p> 	<p>Built-in silencer, direct exhaust (-S) P.811</p> 	<p>Special wiring specifications (-K) P.813</p> <p>D-sub connector</p> 

Although the standard products come with double wiring, mixed single and double wiring is available upon request.