

BULL

NEW RISING BOLLARD FOR TRANSIT AND PARKING AREAS CONTROL AND THE PROTECTION OF PUBLIC ACCESSSES.

SEA TOTAL QUALITY: With hydraulic movement realised in the SEA establishments. Long lasting silence and reliability.

- Compact version with on board hydraulic unit for a simple installation.
- On request reinforced version capable to resist against violent impacts.
- Easy release system with customized key.
- With illumination and sonorous systems.
- External control unit (SEA recommends GATE 1 or GATE 2).



system of lights

HYDRAULIC UNIT

Hydraulic pump capacity	4 lt/min
Medium operating pressure	2.2 MPA (22 bar)
Maximum pressure adjustment	4.5 MPA (45 bar)
Operation temperature	-20°C + 55° C
Hydraulic oil	SEA
Protection class	IP55

HYDRAULIC PISTON

Exit time of the rod	6 sec.
Useable rod run	720 mm
Rod diameter	16 mm
Piston diameter	30 mm
Max traction force during rod exit	275 kg
Max traction force during rod re-entry	147 kg
Power supply obstruction light (led)	24V

ELECTRIC MOTOR

FRQU. OF USE

Power Supply	230V - 50 Hz	30%
Motor Current	1.65 A	30%
Motor Power	330 W	30%
Capacitor	12.5 mF	30%
Rotation speed	2800 rpm	30%

CODE

NAME

12500005	BULL complete with lights
12710360	Foundation plate with rag bolts *
12710350	Vehicle manhole cover (550x550 mm)

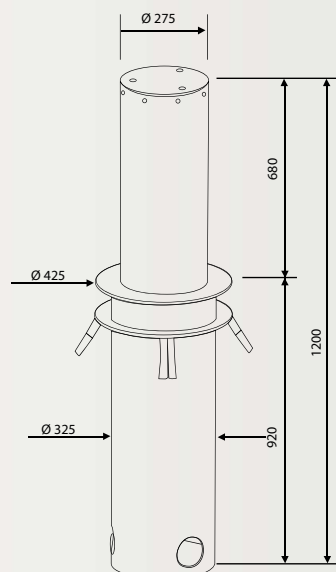
* Obligated accessories

BULL PACKAGE

N.1 BULL operator complete with hydraulic unit, piston, light kit, acoustic signalisation and 10m connected cables

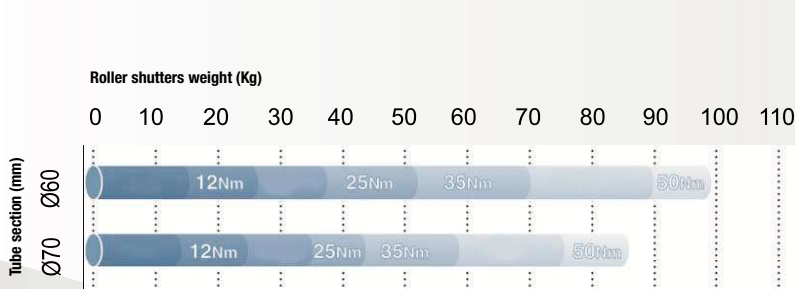
MOUNTING ACCESSORIES

- Release key
- Mounting instructions
- General notice



GUIDE TO THE PRODUCT TUBULAR MOTORS

GUIDE FOR THE CHOICE OF THE TUBULAR GEAR MOTOR FOR ROLLER SHUTTERS



Weight in Kg/sqm of the roller shutter

MATERIAL	WEIGHT(Kg/sqm)
Extruded aluminium	7-12
Aluminium with expanded poliuretane	3-7
PVC	5-10
Steel	8-12
Steel with expanded poliuretane	10-15
Armoured Sicofer steel	15-20
Wood	10-12

GUIDE FOR THE CHOICE OF THE TUBULAR GEAR MOTOR FOR SUN BLINDS

Arm protuberance Ø Tubo 60/70 mm

Number of arms	Arm protuberance					
	1.5	2	2.5	3	4	5
2	12 Nm	25 Nm	25 Nm	35 Nm	35 Nm	50 Nm
4	25 Nm	25 Nm	35 Nm	35 Nm	50 Nm	
6	35 Nm	35 Nm	50 Nm	50 Nm		
8		50 Nm				

Arm protuberance Ø Tubo 78 mm

Number of arms	Arm protuberance				
	1.5	2	2.5	3	4
2	25 Nm	35 Nm	35 Nm	50 Nm	50 Nm
4	35 Nm	35 Nm	50 Nm	50 Nm	50 Nm
6	50 Nm	50 Nm	50 Nm		



This document was created with the Win2PDF “print to PDF” printer available at <http://www.win2pdf.com>

This version of Win2PDF 10 is for evaluation and non-commercial use only.

This page will not be added after purchasing Win2PDF.

<http://www.win2pdf.com/purchase/>