



ENCLOSURE FOR COMMAND DEVICES, 22MM, ROUND, ENCLOSURE MATERIAL PLASTIC, YELLOW ENCLOSURE TOP PART, WITH PROTECTIVE COLLAR, 1 COMMAND POINT, A=EM. STOP MUSHROOM PUSHB. RED, 40MM, ROTATE-TO-UNLATCH, 1NC, SCREW TERMINAL, FLOOR MOUNTING, TOP AND BOTTOM 1 X M20 EACH

Enclosure:	
Design of the housing	Enclosure for command and signaling devices with standard equipment
Shape of the enclosure front	Square
Material of the enclosure	plastic
Number of control points	1
Product component	
• protective collar	Yes
Color	
• of top part of the enclosure	yellow
Delivery state	
• as a kit	No
• pre-wired on strip terminal	No
Mounting type of the enclosure	Vertical / horizontal

Actuator:	
Design of the operating mechanism	Emergency stop mushroom pushbutton
Product feature	
• lockout	No
Product expansion optional Light source	No
Color	
• of the actuating element	Red
Material of the actuating element	plastic
Type of unlocking device	rotate-to-unlatch mechanism

Front ring:

<b>Product component front ring</b>	No
<b>Holder:</b>	
<b>Material of the holder</b>	Plastic
<b>Contact block/ lampholder:</b>	
<b>Number of lampholders</b>	0
<b>Number of switching elements</b>	1
<b>General technical data:</b>	
<b>Product function</b>	
• positive opening	Yes
• EMERGENCY OFF function	Yes
• EMERGENCY STOP function	Yes
<b>Product component</b>	
• Light source	No
• Stand/pedestal	No
<b>Type of voltage</b>	
• of the operating voltage	AC/DC
<b>Vibration resistance</b>	
• acc. to IEC 60068-2-6	20 ... 200 Hz: 5g
<b>Protection class IP</b>	IP65
<b>Equipment marking</b>	
• acc. to DIN 40719 extended according to IEC 204-2 acc. to IEC 750	S
• acc. to DIN EN 61346-2	S
• acc. to DIN EN 81346-2	S
<b>Operating voltage</b>	
• with AC	
— at 50 Hz Rated value	5 ... 400 V
— at 60 Hz Rated value	5 ... 300 V
• for DC Rated value	
— maximum	230 V
— minimum	5 V
<b>Operating voltage 1</b>	
• with AC	
— at 50 Hz Rated value	400 V
— at 60 Hz Rated value	300 V
• for DC Rated value	230 V
<b>Auxiliary circuit:</b>	
<b>Number of NC contacts</b>	
• for auxiliary contacts	1
<b>Number of NO contacts</b>	
• for auxiliary contacts	0

<b>Number of CO contacts</b>	
• for auxiliary contacts	0
<b>Operating current at AC-12</b>	
• at 24 V Rated value	10 A
• at 48 V Rated value	10 A
• at 110 V Rated value	10 A
• at 230 V Rated value	10 A
• at 400 V Rated value	10 A
<b>Operating current at AC-15</b>	
• at 230 V Rated value	6 A
• at 400 V Rated value	3 A

<b>Connections/ Terminals:</b>	
<b>Type of electrical connection on enclosure</b>	Cable routing above, below / left, right, each 1 x M20





<b>Safety related data:</b>	
<b>B10 value with high demand rate acc. to SN 31920</b>	100 000
<b>Proportion of dangerous failures</b>	
• with low demand rate acc. to SN 31920	20 %
• with high demand rate acc. to SN 31920	20 %
<b>T1 value for proof test interval or service life acc. to IEC 61508</b>	20 y




<b>Ambient conditions:</b>	
<b>Ambient temperature</b>	
• during operation	-25 ... +70 °C
• during storage	-40 ... +80 °C

<b>Installation/ mounting/ dimensions:</b>	
<b>Mounting type</b>	
• of contact blocks, socket, and accessories	Floor mounting
<b>Height</b>	85 mm
<b>Width</b>	85 mm
<b>Depth</b>	106 mm
<b>Shape of the installation opening</b>	round
<b>Mounting diameter</b>	22 mm

<b>Accessories:</b>	
<b>Number of labels</b>	0
<b>Number of backing plates</b>	0
<b>Product component holder for 3 switching elements</b>	No

<b>Certificates/ approvals:</b>	
---------------------------------	--

General Product Approval		Declaration of Conformity	Test Certificates	Shipping Approval
 CSA	 UL		 EG-Konf.	<a href="#">Special Test Certificate</a>  ABS

Shipping Approval		other		
 DNV	 LRS	 PRS	<a href="#">Environmental Confirmations</a>	<a href="#">Confirmation</a>

### Further information

**Information- and Downloadcenter (Catalogs, Brochures,...)**

<http://www.siemens.com/industrial-controls/catalogs>

**Industry Mall (Online ordering system)**

<http://www.siemens.com/industrymall>

**Cax online generator**

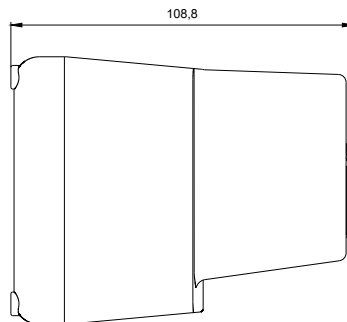
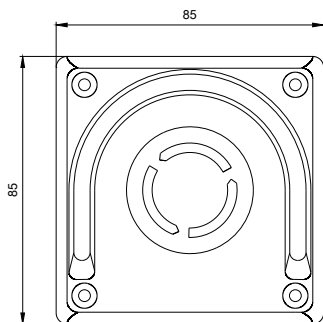
<http://support.automation.siemens.com/WW/CAXorder/default.aspx?lang=en&mlfb=3SB38010DF3>

**Service&Support (Manuals, Certificates, Characteristics, FAQs,...)**

<https://support.industry.siemens.com/cs/ww/en/ps/3SB38010DF3>

**Image database (product images, 2D dimension drawings, 3D models, device circuit diagrams, EPLAN macros, ...)**

[http://www.automation.siemens.com/bilddb/cax\\_de.aspx?mlfb=3SB38010DF3&lang=en](http://www.automation.siemens.com/bilddb/cax_de.aspx?mlfb=3SB38010DF3&lang=en)



last modified:

28.04.2015