



EQUALIZER™
INTERNATIONAL

FLANGE TOOL INNOVATION

PRODUCT DATA SHEET

SG4™

SECURE-GRIP MECHANICAL FLANGE SPREADER

SPREADING FORCE:

With 47N.m (35ft.lb) of torque applied: 3.7T (37kN)
It is recommended that tools are used in pairs giving:

$$2 \times 3.7T = 7.4T (74kN)$$

SPREADING DISTANCE: 0 - 75mm (0 - 2.95")

TOOL WEIGHT: 4.5kg (10lb)

KIT COMPONENTS

- 1 x SG4™ Tool
- 1 x 150mm (6") Vernier Calliper
- 1 x 3/8" Drive Torque Wrench and 16mm Socket
- 1 x Safety Block
- 2 x M16 (5/8") Collets
- 2 x M20 (3/4") Collets
- 1 x Instruction Manual
- 1 x Carry Case with protective foam inserts

Product Code: SG4™STD

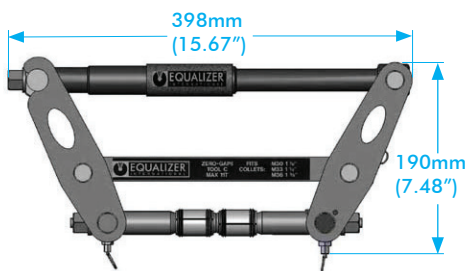


WEIGHTS AND DIMENSIONS

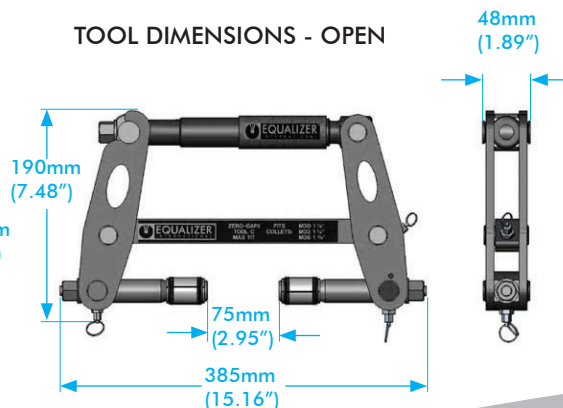
Tool Weight: 4.8Kg (10.6lb)
Case Weight: 1Kg (2.2lb)
Gross Kit Weight: 12.8Kg (28.2lb)

Carry Case Dimensions:
520mm x 375mm x 165mm
(20.47" x 14.76" x 6.50")

TOOL DIMENSIONS - CLOSED



TOOL DIMENSIONS - OPEN



info@equalizerinternational.com
www.equalizerinternational.com

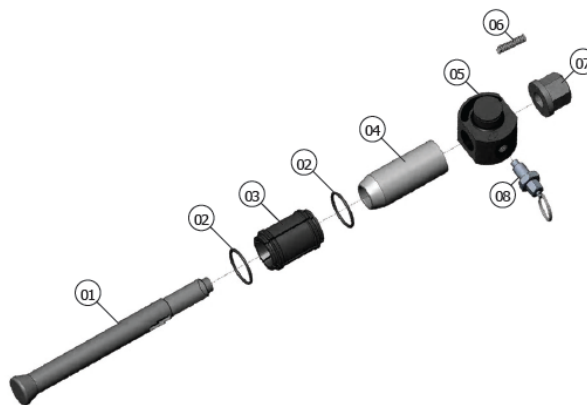
RANGE OF APPLICATION

The SG4™ is usable on all standard flanges that have been specified to accept the following bolt sizes:
M16, M20, 5/8", 3/4"
This includes ANSI, DIN, SPO, ASME, API and BS flanges.

For a detailed range of application please request the Secure-Grip Mechanical Operator Instruction Manual.

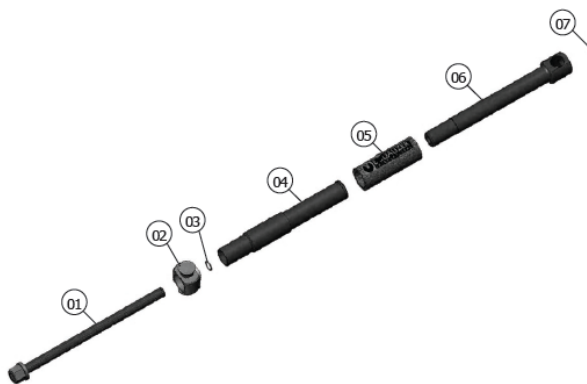
COLLET HEAD PART LIST AND EXPLODED DRAWING

ITEM	DESCRIPTION	QTY
01	COLLET HOLDER	2
02	M16 SPRING RING*	4
	M20 SPRING RING*	4
03	M16 COLLET*	2
	M20 COLLET*	2
04	DRIVE CONE	2
05	COLLET UNION	2
06	CENTRING SPRING 1	2
07	COLLET NUT	2
08	COLLET SPRING PLUNGER*	2



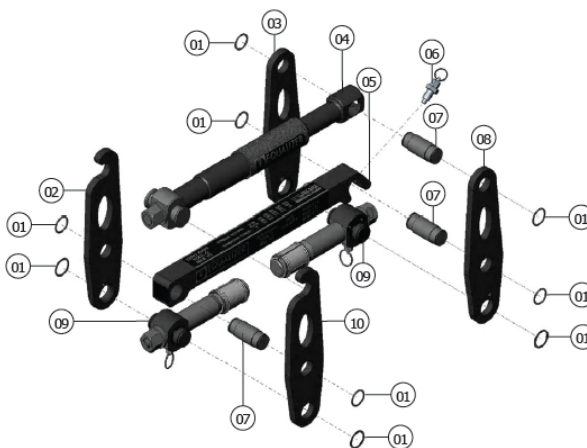
ACTUATOR PART LIST AND EXPLODED DRAWING

ITEM	DESCRIPTION	QTY
01	ACTUATOR BOLT	1
02	OPEN ACTUATOR UNION	1
03	ACTUATOR RETAINING RING*	1
04	ACTUATOR SLEEVE	1
05	FOAM GRIP	1
06	CLOSED ACTUATOR UNION	1
07	ACTUATOR RETAINING BOLT	1



SG4™ PART LIST AND EXPLODED DRAWING

ITEM	DESCRIPTION	QTY
01	CANTILEVER RETAINING RING*	10
02	OPEN LEG RH	1
03	CLOSED LEG RH	1
04	SEE ACTUATOR PART LIST	
05	CANTILEVER	1
06	CANTILEVER PLUNGER	1
07	CANTILEVER PIN	3
08	CLOSED LEG LH	1
09	SEE COLLET HEAD PART LIST	
10	OPEN LEG LH	1



* Items are supplied in Spare Kit Part