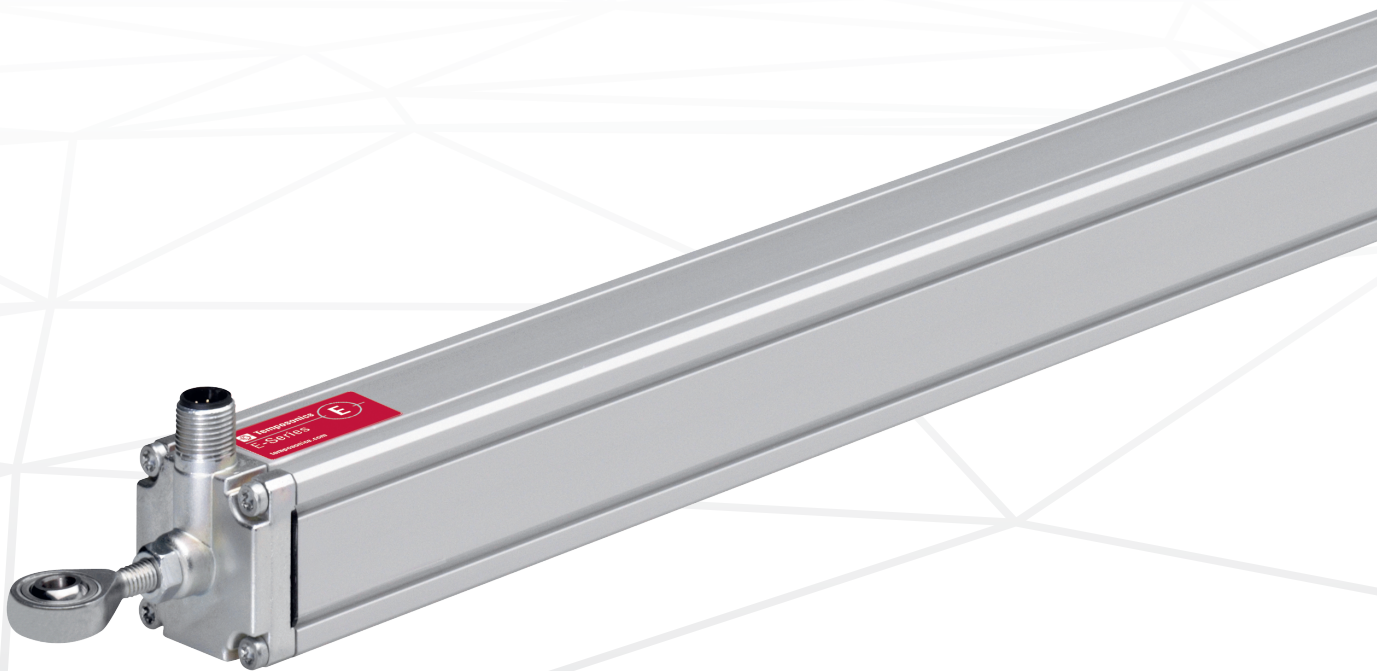


## Data Sheet

### ER Analog

#### Magnetostrictive Linear Position Sensors

- Compact sensor model
- Operating temperature up to +75 °C (+167 °F)
- Ideal for flexible mounting



## MEASURING TECHNOLOGY

The absolute, linear position sensors provided by Temposonics rely on the company's proprietary magnetostrictive technology, which can determine position with a high level of precision and robustness. Each Temposonics position sensor consists of a ferromagnetic waveguide, a position magnet, a strain pulse converter and supporting electronics. The magnet, connected to the object in motion in the application, generates a magnetic field at its location on the waveguide. A short current pulse is applied to the waveguide. This creates a momentary radial magnetic field and torsional strain on the waveguide. The momentary interaction of the magnetic fields releases a torsional strain pulse that propagates the length of the waveguide. When the ultrasonic wave reaches the end of the waveguide it is converted into an electrical signal. Since the speed of the ultrasonic wave in the waveguide is precisely known, the time required to receive the return signal can be converted into a linear position measurement with both high accuracy and repeatability.

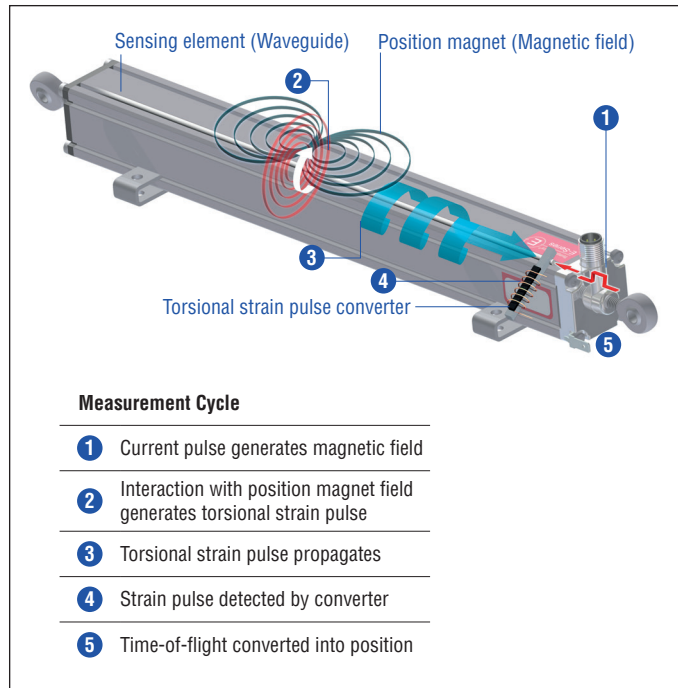


Fig. 1: Time-of-flight based magnetostrictive position sensing principle

## ER SENSOR

Robust, non-contact and wear free, the Temposonics linear position sensors provide the best durability and precise position measurement feedback in harsh industrial environments. Measurement accuracy is tightly controlled by the quality of the waveguide manufactured exclusively by Temposonics.

The Temposonics® ER has an aluminum rod-and-cylinder design where the rod can extend and retract from the sensor housing to measure linear position. Inside, a magnet is secured to the end of the rod and remains protected within the sensor electronics housing. Accessory rod ends are available for attaching the rod to the machine's moving part. The rod-and-cylinder sensor design can be installed in any orientation, and provides a convenient and versatile position feedback solution. Typical fields of applications are printing and paper industry, machine tools and plastics industry as well as control systems.



Fig. 2: Typical application: Paper industry

## TECHNICAL DATA

Output	
Voltage	0...10 VDC or 10...0 VDC, 0...10 VDC and 10...0 VDC (controller input resistance $R_i > 5 \text{ k}\Omega$ )
Current	4...20 mA or 20...4 mA (minimum / maximum load: 0 / 500 $\Omega$ )
Measured value	Position
Measurement parameters	
Resolution	Infinite
Cycle time	0.3 ms < t < 2 ms (depending on stroke lengths) typical
Linearity	$\leq \pm 0.02 \%$ F.S. (minimum $\pm 60 \mu\text{m}$ )
Repeatability	$\leq \pm 0.005 \%$ F.S. (minimum $\pm 20 \mu\text{m}$ )
Operating conditions	
Operating temperature	$-40...+75 \text{ }^\circ\text{C}$ ( $-40...+167 \text{ }^\circ\text{F}$ )
Humidity	90 % relative humidity, no condensation
Ingress protection <sup>1,2</sup>	IP67 (connectors correctly fitted)
Shock test	100 g (single shock) IEC standard 60068-2-27
Vibration test	5 g / 10...2000 Hz IEC standard 60068-2-6 (resonance frequencies excluded)
EMC test	Electromagnetic emission according to EN 61000-6-3 Electromagnetic immunity according to EN 61000-6-2 The sensor meets the requirements of the EC directives and is marked with <b>CE</b>
Magnet movement velocity	$\leq 5 \text{ m/s}$
Design / Material	
Sensor electronics housing	Aluminum
Guided driving rod	Aluminum
Stroke length	50...1500 mm (2...60 in.)
Mechanical mounting	
Mounting position	Any
Mounting instruction	Please consult the technical drawings and the brief instruction (document number: <a href="#">551684</a> )
Electrical connection	
Connection type	M12 (5 pin) male connector
Operating voltage	+24 VDC ( $-15 / +20 \%$ ); UL recognition requires an approved power supply with energy limitation (UL 61010-1), or Class 2 rating according to the National Electrical Code (USA) / Canadian Electrical Code.
Ripple	$\leq 0.28 \text{ V}_{pp}$
Current consumption	50...140 mA
Dielectric strength	500 VDC (DC ground to machine ground)
Polarity protection	Up to $-30 \text{ VDC}$
Overvoltage protection	Up to 36 VDC

<sup>1</sup>/ The IP rating is not part of the UL recognition.

<sup>2</sup>/ The IP rating IP67 is only valid for the sensor electronics housing, as water and dust can get inside the profile.

## TECHNICAL DRAWING

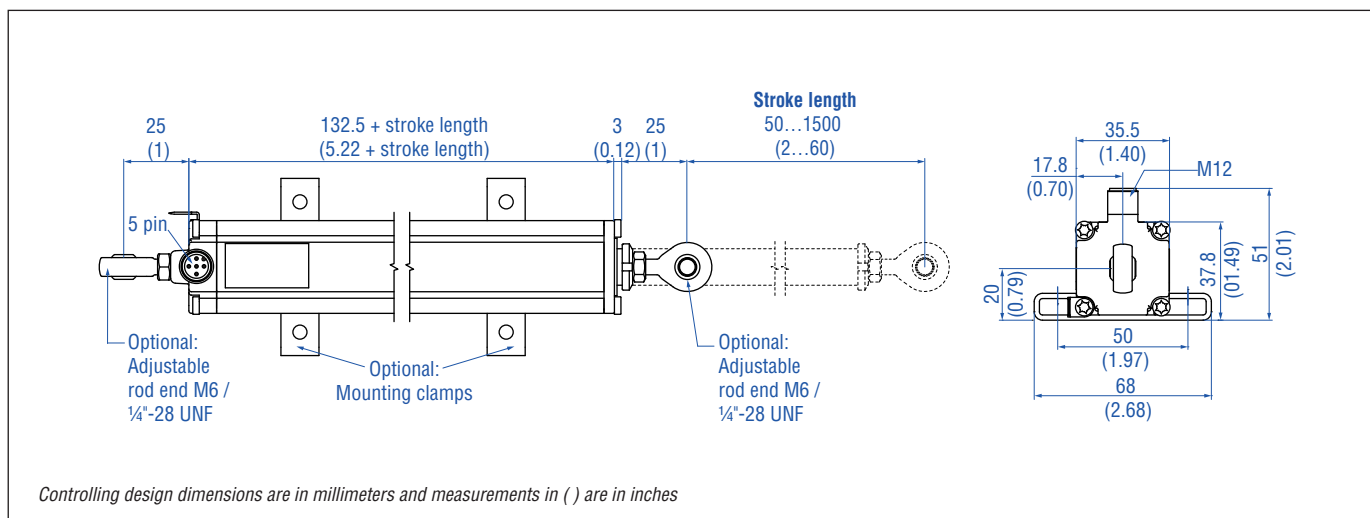



Fig. 3: Temposonic® ER

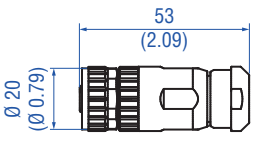
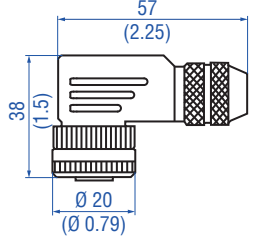
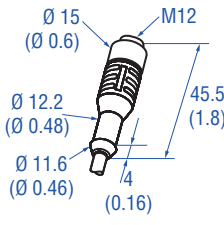
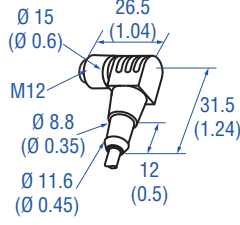
## CONNECTOR WIRING

D34		
Signal + power supply		
M12 male connector (A-coded)	Pin	Function
<p>View on sensor</p>	1	+24 VDC (-15 / +20 %)
	2	Output 1
	3	DC Ground (0 V)
	4	Output 2
	5	DC Ground

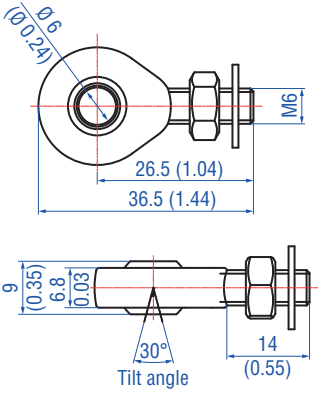
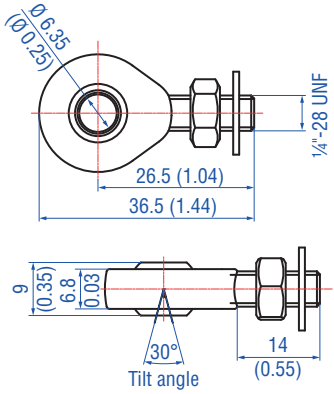
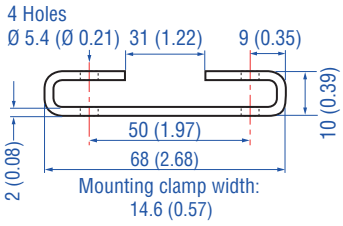
Fig. 4: Connector wiring D34

**FREQUENTLY ORDERED ACCESSORIES** – Additional options available in our [Accessories Guide](#)  [551444](#)

**Cable connectors<sup>3</sup>** **Cord set**

			
<p><b>M12 A-coded female connector (5 pin), straight</b> Part no. 370 677</p> <p>Material: GD-Zn, Ni Anschlussart: Schraubanschluss Kontakteinsatz: CuZn Kabel Ø: 4...8 mm Ader: 1,5 mm<sup>2</sup> Betriebstemperatur: -30...+85 °C Schutzart: IP67 (fachgerecht montiert) Anzugsmoment: 0,6 Nm</p>	<p><b>M12 A-coded female connector (5 pin), angled</b> Part no. 370 678</p> <p>Material: GD-Zn, Ni Termination: Screw; max. 0.75 mm<sup>2</sup> Contact insert: CuZn Cable Ø: 5...8 mm (0.2...0.31 in.) Wire: 0.75 mm<sup>2</sup> (18 AWG) Operating temperature: -25...+85 °C (-13...+185 °F) Ingress protection: IP67 (correctly fitted) Fastening torque: 0.4 Nm</p>	<p><b>Cable with M12 A-coded female connector (5 pin), straight – pigtail</b> Part no. 370 673</p> <p>Material: PUR jacket; black Features: Shielded Cable length: 5 m (16.4 ft) Ingress protection: IP67 (correctly fitted) Operating temperature: -25...+80 °C (-13...+176 °F)</p>	<p><b>Cable with M12 A-coded female connector (5 pin), angled – pigtail</b> Part no. 370 675</p> <p>Material: PUR jacket Features: Shielded Cable length: 5 m (16.4 ft) Ingress protection: IP67 (correctly fitted) Operating temperature: -25...+80 °C (-13...+176 °F)</p>

**Rod ends** **Mounting clamp**

		
<p><b>Rod end with M6 thread</b> Part no. 254 210</p> <p>Material: Galvanized steel</p>	<p><b>Rod end with 1/4"-28 UNF thread</b> Part no. 254 235</p> <p>Material: Galvanized steel</p>	<p><b>Mounting clamp</b> Part no. 403 508</p> <p>Material: Stainless steel 1.4301 / 1.4305 (AISI 304 / 303)</p>

<sup>3</sup>/ Follow the manufacturer's mounting instructions  
Controlling design dimensions are in millimeters and measurements in ( ) are in inches

## ORDER CODE

1	2	3	4	5	6	7	8	9	10	11	12	13	14	15
E	R							D	3	4	1			
a		b	c					d			e	f		

<b>a</b>	<b>Sensor model</b>
E R	Aluminum cylinder with a guided driving rod

<b>b</b>	<b>Design</b>
M	Inside thread M6 at end of rod (For metric stroke length measurement)
S	Inside thread 1/4"-28 UNF at end of rod (For US customary stroke length measurement)

<b>c</b>	<b>Stroke length</b>
X X X X M	0050...1500 mm
<b>Standard stroke length (mm)*</b>	
50 ... 500 mm	25 mm
500...1500 mm	50 mm
X X X X U	002.0...060.0 in.
<b>Standard stroke length (in.)*</b>	
2...22 in.	1.0 in.
22...60 in.	2.0 in.

<b>d</b>	<b>Connection type</b>
D 3 4	M12 (5 pin) male connector

<b>e</b>	<b>Operating voltage</b>
1	+24 VDC (-15 / +20 %)

<b>f</b>	<b>Output</b>
<b>Voltage</b>	
V 0 1	0...10 VDC (1 output channel)
V 1 1	10...0 VDC (1 output channel)
V 0 3	0...10 VDC and 10...0 VDC (2 output channels)
<b>Current</b>	
A 0 1	4...20 mA (1 output channel)
A 1 1	20...4 mA (1 output channel)

## DELIVERY



- Sensor  
Select mounting accessories regarding your application:
- 1 or 2 rod ends M6 / 1/4"-28 UNF or / and
- 2 mounting clamps up to 1250 mm (50 in.) stroke length, 3 mounting clamps for 1500 mm (60 in.) stroke length

Accessories have to be ordered separately.

Manuals, Software & 3D models available at:  
[www.temposonics.com](http://www.temposonics.com)

\* / Non standard stroke lengths are available; must be encoded in 5 mm / 0.1 in. increments.  
Some preferred stroke lengths may be available with faster lead time. Contact MTS Sensors for details.

**UNITED STATES**  
**Temposonics, LLC**  
Americas & APAC Region  
3001 Sheldon Drive  
Cary, N.C. 27513  
Phone: +1 919 677-0100  
E-mail: info.us@temposonics.com

**GERMANY**  
**Temposonics**  
**GmbH & Co. KG**  
EMEA Region & India  
Auf dem Schüffel 9  
58513 Lüdenscheid  
Phone: +49 2351 9587-0  
E-mail: info.de@temposonics.com

**ITALY**  
Branch Office  
Phone: +39 030 988 3819  
E-mail: info.it@temposonics.com

**FRANCE**  
Branch Office  
Phone: +33 6 14 060 728  
E-mail: info.fr@temposonics.com

**UK**  
Branch Office  
Phone: +44 79 21 83 05 86  
E-mail: info.uk@temposonics.com

**SCANDINAVIA**  
Branch Office  
Phone: +46 70 29 91 281  
E-mail: info.sca@temposonics.com

**CHINA**  
Branch Office  
Phone: +86 21 2415 1000 / 2415 1001  
E-mail: info.cn@temposonics.com

**JAPAN**  
Branch Office  
Phone: +81 3 6416 1063  
E-mail: info.jp@temposonics.com

**Document Part Number:**  
551246 Revision H (EN) 07/2019



**temposonics.com**