



Position Switch Series 8060 to EN 50047

- Explosion protection to
 - CENELEC
 - IEC
- Can be used in Zone 1 und Zone 2
- Enclosures have protection class “increased safety”
- Dimensions and functional measurements to EN 50047
- Replaceable contact elements in flameproof enclosure
- Positive opening contacts
- Category 1 safety position switch with:
 - extendet plunger
 - roller plunger
 - roller lever plunger
 - roller lever
 - adjustable roller lever plunger
 - angled roller lever plunger
- All attachments can be displaced through 4 x 90°
- Contact elements with snap-action contact, with slow-action contact or overlapping slow-action contact

STAHL












Position switches are used to monitor the position of moving parts of machines and plant.

Can be used in safety circuits, as the device satisfies EN 60 947-5-1/DIN VDE 0660 part 200, and the opening contacts are positive opening. The series 8060 position switch with positive opening contacts has been tested to the professional association test standard GS-ET 15 of the German Employer Liability Insurance Association, and is thus licensed for personnel protection functions. Category 1 Safety position switches have contact and actuating element in a single constructional and functional unit.

Because of the galvanic isolation of the moving contacts, the position switch is suitable for switching various potentials.

Zone 1 and Zone 2

Selection table

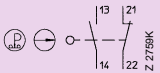
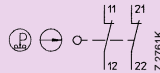
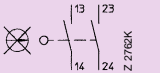
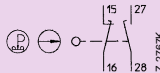
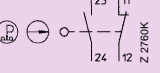
Series	Version	Ordering code	Weight [kg]
 <p>8060 Position switch acc. to EN 50047</p>	 <p>F3924PA</p>	Extended plunger Plunger of moulded plastic	8060/1 - □ - S 0,069
	 <p>F3925PA</p>	Roller plunger Roller of moulded plastic	8060/1 - □ - RS 0,073
	 <p>F3817PA</p>	Roller lever, Form E Roller of moulded plastic	8060/1 - □ - AR 0,074
	 <p>F3923PA</p>	Roller lever, Form A Roller of moulded plastic	8060/1 - □ - R 0,085
	 <p>F3922PA</p>	Adjustable roller lever Roller of moulded plastic Roller rod of stainless steel	8060/1 - □ - V 0,104
	 <p>F3921PA</p>	Actuating rod Rod of moulded plastic	8060/1 - □ - H 0,097
	 <p>F3935PA</p>	Spring-rod actuator Spring of stainless steel	8060/1 - 2 - F* 0,085
	 <p>F3819PA</p>	Angled roller lever Roller of moulded plastic	8060/1 - □ - WR 0,074
	 <p>F3921PA</p>	Roller plunger for centre fixing Roller of moulded plastic	8060/1 - □ - ZRS 0,091
	 <p>F3920PA</p>	Extended plunger for centre fixing Plunger of moulded plastic	8060/1 - □ - ZS 0,091

Add to ordering code:

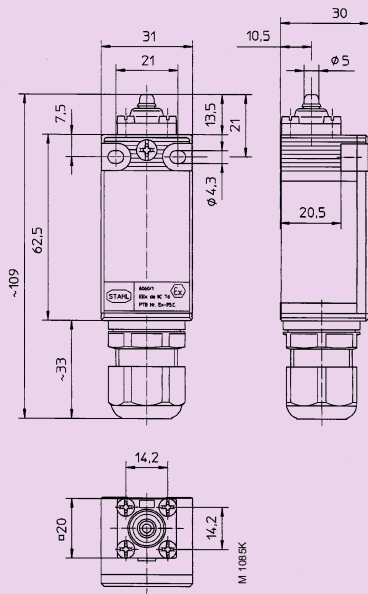
Switching function	1NC+1NO Slow-action contact	8060/1 - 1 - □□□
	1NC+1NO Snap-action contact	8060/1 - 2 - □□□
	2NC Slow-action contact	8060/1 - 3 - □□□
	2NO Slow-action contact	8060/1 - 4 - □□□
	1NC+1NO Slow-action contact, overlapping	8060/1 - 5 - □□□

Note: Actuating heads enclosed are not mounted.

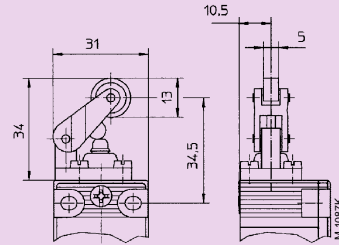


Technical data			
Explosion protection	EEx ed IIC T6		
Test certificate	PTB Nr. Ex-96.D.3137		
Rated operational voltage U_e	max. 500 V, AC; max. 250 V, DC; max. 250 V, UC, for unequal potential		
Rated operational current I_e	max. 10 A		
Switching capacity	AC 12	AC 15	DC 12
	max. 500 V max. 16 A max. 5000 VA	max. 500 V max. 10 A max. 1000 VA	max. 125 V max. 10 A max. 400 W
Rated insulation voltage U_i	500 V		
Rated impulse withstand voltage U_{imp}	6 kV		
Back-up fuse	6 A, time-lag, DIAZED, 10 A, quick-acting		
Contact block Arrangements	Slow-action contact		
			
	8060/1-1	8060/1-3	8060/1-4
	Slow-action contact, overlapping		Snap-action contact
			
	8060/1-5	8060/1-2	
	Function positive opening \ominus and operator safety \oplus depend on actuating head used		
Contact arrangement	2 pole, galvanically isolated, with double break action		
Clearance between open contacts	$\geq 1,5$ mm (clearance distance ≥ 3 mm)		
Contact material	Silver-Nickel		
Life	mechanical		
	electrical		
Enclosure material	Polyamide, glass fibre-reinforced		
Ambient temperature	6 A: $-25^\circ\text{C} \dots +70^\circ\text{C}$		
	10 A: $-25^\circ\text{C} \dots +50^\circ\text{C}$		
Degree of protection	IP 65		
Enclosure material	Polyamide, glass fibre-reinforced; black		
Cable entry	Compression gland M 20 x 1,5		
Connection	Sheathed cable max. $4 \times 2,5 \text{ mm}^2$, $\varnothing 6-12$ mm		
Terminals	$1 \times 1,5 \text{ mm}^2$ or $2 \times 1 \text{ mm}^2$, solid-/flexible		
Mechanical shock resistance	Snap-action contact: 2 g		
	Slow-action contact: 20 g		

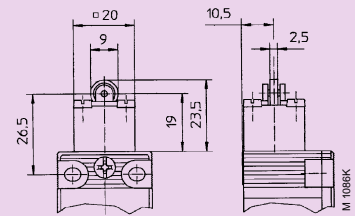
Dimensions, all dimensions in mm – subject to alteration



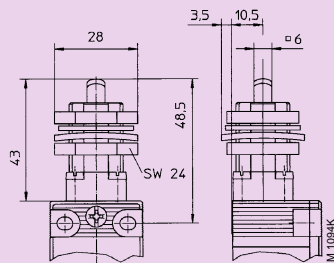
8060/1-S
Position switch with
extended plunger



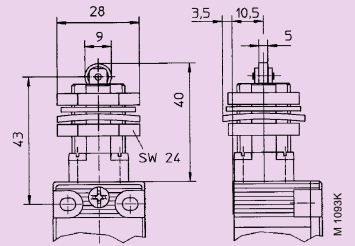
8060/1-AR
Roller lever, Form E



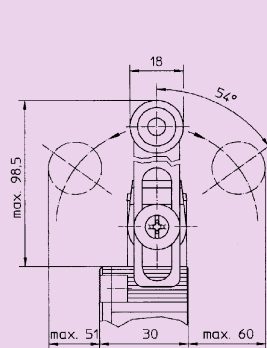
8060/1-RS
Roller plunger



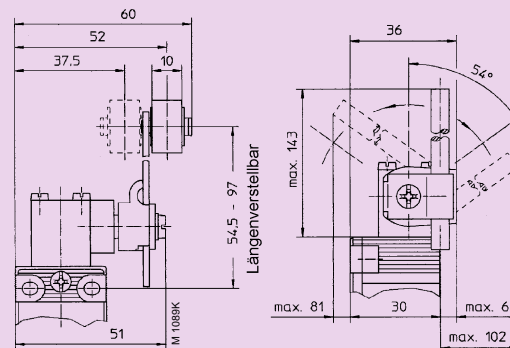
8060/1-ZS
Extendet plunger for
centre fixing



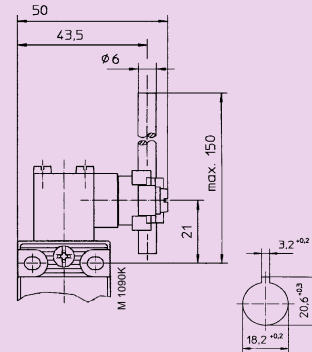
8060/1-ZRS
Roller lever for
centre fixing



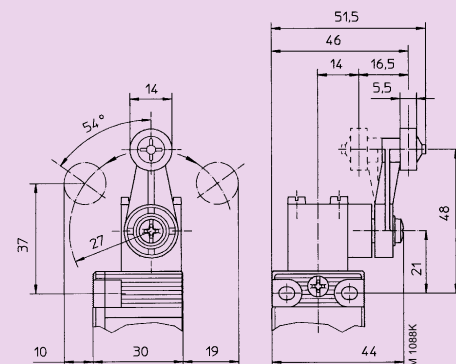
8060/1-V
Adjustable roller lever



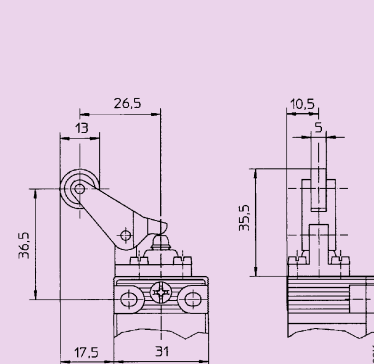
8060/1-H
Actuating rod



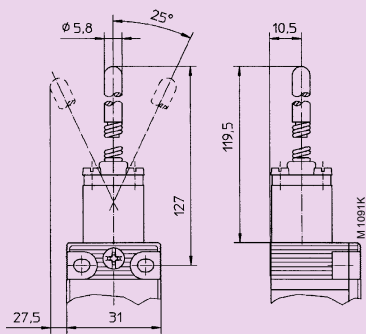
Panel cut out for
centre fixing



8060/1-R
Roller lever, Form A



8060/1-WR
Angled roller lever



8060/1-2-F
Spring-rod lever