

# AS-interface Sensor Actuator Module 2 Inputs/2 Outputs

- energy supply and AS-i connection via flat cable
- contact by insulation penetration technique
- inputs for 2- and 3-wire sensors
- outputs at 2 A chargeable per module
- function indicator for bus and outputs
- type of protection IP 67

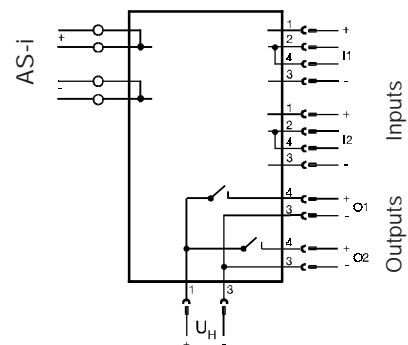


• AS-i certificate

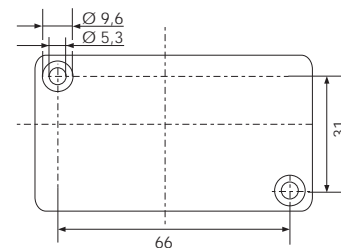


<b>Model Number</b>	<b>VAA-2EA-G1FF-ZE/E2</b>	
Connection	insulation penetration technique	
AS-i	AS-i flat cable	
Inputs/outputs	M12 round connector	
ext. power	flat cable black	
Inputs	2 two or three wire sensors DC, positive switched	
Switching state		
OFF I <sub>in</sub> [mA]	≤ 1.5	
ON I <sub>in</sub> [mA]	≥ 5	
U <sub>OUT</sub> [VDC]	24	
I <sub>OUT</sub> [mA]	120, short-circuit proof (per module)	
Outputs	2, electrical	
Loading capacity [VDC]	24, max. 2 A (per module)	
Operating voltage U <sub>B</sub>	via AS-i bus system, polarity reversal protected	
Ext. auxiliary supply U <sub>H</sub> [VDC]	24 ± 15 %, PELV	
Operating current I <sub>e</sub> [mA]	100	
Indicators		
4, switching state (I1, I2, O1, O2=1)	LED	yellow
1, supply voltage	LED PWR	green
EMC accord.	EN 50081-2, EN 50082-2	
Ambient temperature t <sub>a</sub> [°C]	-25 ... +85	
Storage temperature t <sub>s</sub> [°C]	-40 ... +85	
Type of prot. acc. to EN 60 529	IP 67	
allowable shock and vibration stress	screw mounting: b ≤ 30 g, T ≤ 11 ms snap-in mounting: b ≤ 15 g, T ≤ 11 ms screw mounting: f ≤ 55 Hz, a ≤ 1 mm snap-in mounting: f ≤ 55 Hz, a ≤ 0.5 mm	
Weight [g]	180	

## Connection



## Drill hole dimensions for screw mounting



## Programming information

(bit assignments)

IO-code 3  
ID-code 0

**Data bit**  
(output via AS-i)

Bit	Function
D0	input I1
D1	input I2
D2	output O1
D3	output O2

**Parameter bit**

(programmable via AS-i)

Bit	Function
P0	not used
P1	not used
P2	not used
P3	not used

Issue date 27.02.1997