

Features

- 2-channel isolated barrier
- 24 V DC supply (loop powered)
- Current input/output 4 mA ... 20 mA
- Accuracy 0.1 %
- Entity parameter $I_O/I_{SC} = 0$ mA

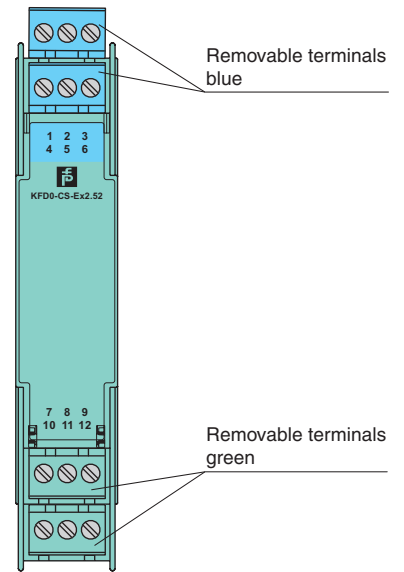
Function

This isolated barrier is used for intrinsic safety applications. It is loop-powered and repeats a 4 mA ... 20 mA signal from a current source inside a hazardous area to the safe area (It does not provide power for transmitters inside the hazardous area.).

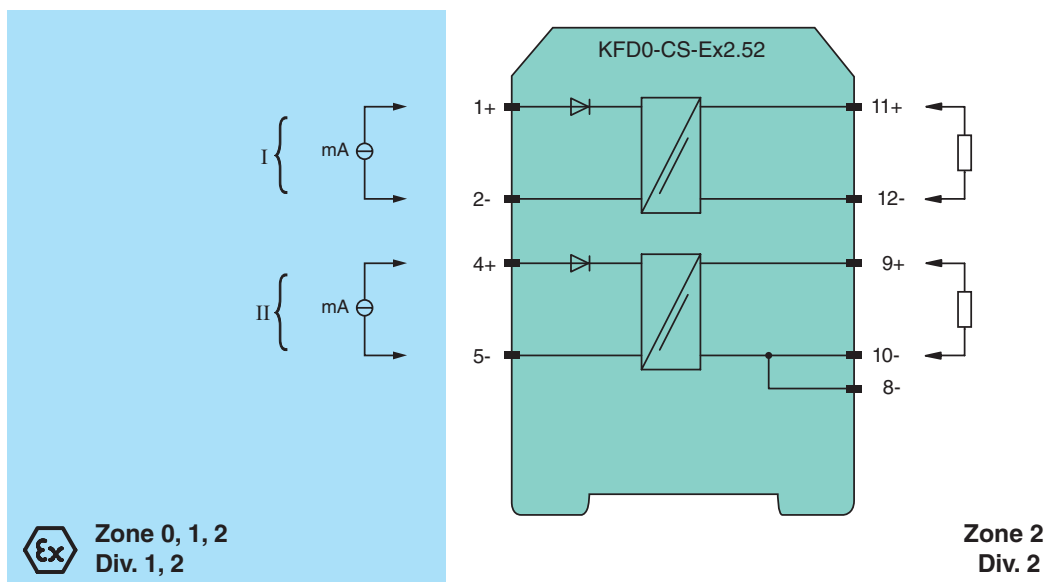
The 25.2 V, 0 mA entity parameters make it easy to design intrinsically safe systems.

Assembly

Front view



Connection



Release date 2019-11-25 12:03 Date of issue 2019-11-25 183893_eng.xml

Refer to "General Notes Relating to Pepperl+Fuchs Product Information".

General specifications		
Signal type		Analog input
Supply		
Rated voltage	U_r	loop powered
Power dissipation		150 mW
Power consumption		1 W
Control circuit		
Connection		terminals 12-, 11+; 8-, 10-, 9+
Voltage		4 ... 24 V DC for $4 V < U_{in} < 24 V$: $0.97 \times U_{in} - (85 \times \text{current in A}) - 1.3$
Current		4 ... 20 mA
Field circuit		
Connection		terminals 1+, 2-; 4+, 5-
Transmission range		current: 4 ... 24 mA voltage: 4 ... 24 V DC
Transfer characteristics		
Accuracy		0.1 %
Deviation		
After calibration		$\pm 20 \mu A$ incl. calibration, linearity, hysteresis and load fluctuations at $20^\circ C$ ($68^\circ F$), $U_{in} \leq 20 V$ $+20 \mu A/-50 \mu A$ incl. calibration, linearity, hysteresis and load fluctuations at $20^\circ C$ ($68^\circ F$), $20 V < U_{in} < 24 V$
Influence of ambient temperature		$\pm 1 \mu A/K$ (0 ... $50^\circ C$ (32 ... $122^\circ F$)), $U_{in} \leq 12 V$ $\pm 2 \mu A/K$ (0 ... $60^\circ C$ (32 ... $140^\circ F$)), $U_{in} \leq 18 V$ $\pm 5 \mu A/K$ ($-20 \dots 60^\circ C$ ($-4 \dots 140^\circ F$)), $U_{in} \leq 24 V$
Rise time		≤ 10 ms at 4 ... 20 mA and 250 Ω load
Galvanic isolation		
Input/Output		safe electrical isolation acc. to IEC/EN 60079-11, voltage peak value 375 V
Indicators/settings		
Labeling		space for labeling at the front
Directive conformity		
Electromagnetic compatibility		
Directive 2014/30/EU		EN 61326-1:2013 (industrial locations)
Conformity		
Electromagnetic compatibility		NE 21:2011
Degree of protection		IEC 60529:2001
Protection against electrical shock		UL 61010-1:2012
Ambient conditions		
Ambient temperature		$-20 \dots 60^\circ C$ ($-4 \dots 140^\circ F$)
Mechanical specifications		
Degree of protection		IP20
Connection		screw terminals
Mass		approx. 100 g
Dimensions		20 x 119 x 115 mm (0.8 x 4.7 x 4.5 inch) , housing type B2
Mounting		on 35 mm DIN mounting rail acc. to EN 60715:2001
Data for application in connection with hazardous areas		
EU-type examination certificate		BASEEFA 03 ATEX 0141
Marking		Ex II (1)GD, I (M1) [Ex ia Ga] IIC, [Ex ia Da] IIIC, [Ex ia Ma] I ($-20^\circ C \leq T_{amb} \leq 60^\circ C$) , [circuit(s) in zone 0/1/2]
Voltage	U_o	25.2 V DC
Current	I_o	0 mA
Type of protection [Ex ia]		
Output		
Maximum safe voltage	U_m	253 V $_{eff}$ (Attention! The rated voltage can be lower.)
Certificate		TÜV 99 ATEX 1499 X
Marking		Ex II 3G Ex nA II T4 [device in zone 2]
Galvanic isolation		
Input/Output		safe electrical isolation acc. to IEC/EN 60079-11, voltage peak value 375 V
Directive conformity		
Directive 2014/34/EU		EN 60079-0:2012+A11:2013 , EN 60079-11:2012 , EN 60079-15:2010
International approvals		
FM approval		
Control drawing		116-0129
UL approval		
Control drawing		116-0173 (cULus)
IECEX approval		
IECEX certificate		IECEX BAS 08.0059
IECEX marking		[Ex ia Ga] IIC , [Ex ia Da] IIIC , [Ex ia Ma] I

Release date 2019-11-25 12:03 Date of issue 2019-11-25 183893_eng.xml

Refer to "General Notes Relating to Pepperl+Fuchs Product Information".

General information	
Supplementary information	Observe the certificates, declarations of conformity, instruction manuals, and manuals where applicable. For information see www.pepperl-fuchs.com .

Release date 2019-11-25 12:03 Date of issue 2019-11-25 183893_eng.xml

Refer to "General Notes Relating to Pepperl+Fuchs Product Information".

Pepperl+Fuchs Group
www.pepperl-fuchs.com

USA: +1 330 486 0002
pa-info@us.pepperl-fuchs.com

Germany: +49 621 776 2222
pa-info@de.pepperl-fuchs.com

Singapore: +65 6779 9091
pa-info@sg.pepperl-fuchs.com