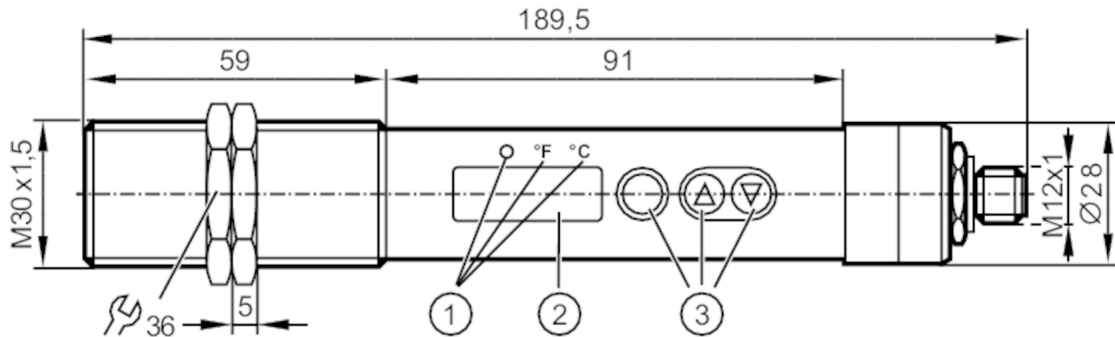




Infrared temperature sensor

TW-030KLBM30-KFDKG/US



- 1 LEDs Display unit / switching status
- 2 7-segment LED display 4-digit
- 3 programming buttons



Product characteristics

Number of inputs and outputs	Number of digital outputs: 1; Number of analogue outputs: 1
Measuring range	0...999.5 °C 32...1831 °F

Application

Application	asphalt; coated metal; liquids; glass; rubber; wood; ceramics; plastics; lacquers; food products; paper; fabric
-------------	--

Electrical data

Operating voltage [V]	18...32 DC; (to SELV/PELV)
Current consumption [mA]	< 50
Min. insulation resistance [MΩ]	100; (50 V DC)
Protection class	III
Reverse polarity protection	yes
Power-on delay time [s]	< 1

Inputs / outputs

Number of inputs and outputs	Number of digital outputs: 1; Number of analogue outputs: 1
------------------------------	---

Inputs

Test input	type 3 (IEC 61131-2)
------------	----------------------

Outputs

Total number of outputs	2
Output signal	switching signal; analogue signal; IO-Link; (configurable)
Electrical design	PNP
Number of digital outputs	1
Output function	normally open / normally closed; (parameterisable)
Max. voltage drop switching output DC [V]	2.5
Permanent current rating of switching output DC [mA]	150
Number of analogue outputs	1
Analogue current output [mA]	4...20
Max. load [Ω]	500



Infrared temperature sensor

TW-030KLBM30-KFDKG/US

Short-circuit protection	yes
Type of short-circuit protection	pulsed
Short-circuit proof	yes
Overload protection	yes

Detection zone

Wave length range	[μm]	8...14
-------------------	------	--------

Measuring/setting range

Measuring range	0...999.5 °C	32...1831 °F
Set point SP	1...999.5 °C	34...1831 °F
Reset point rP	0...998.5 °C	32...1829 °F
Analogue start point	0...949.5 °C	32...1741.1 °F
Analogue end point	50...999.5 °C	122...1831 °F
In steps of	0.5 °C	1 °F

Resolution

Resolution of switching output	[K]	0.5
Resolution of analogue output	[K]	0.2; (+ 0.03% of the set measuring span)
Resolution of display	[K]	0.5

Accuracy / deviations

Accuracy	[K]	< ± 1 %; (of measured value, min. 2 K (degree of emission = 1, T = 23 °C))
Repeatability	[K]	1

Response times

Response time	[ms]	100
---------------	------	-----

Software / programming

Adjustment of the switch point	programming buttons
Parameter setting options	analogue range; normally open / normally closed; switch-on/ switch-off delay; Damping; Peakhold; emissivity; simulation function

Interfaces

Communication interface	IO-Link	
Transmission type	COM2 (38,4 kBaud)	
IO-Link revision	1.1	
SDCI standard	IEC 61131-9	
SIO mode	yes	
Required master port type	A	
Process data analogue	16	
Process data binary	1	
Min. process cycle time	[ms]	3.6
Supported DeviceIDs	Type of operation	DeviceID
	Default	716

Operating conditions

Ambient temperature	[°C]	0...65
Storage temperature	[°C]	-20...80
Max. relative air humidity	[%]	95; (non condensing)

TW2000



Infrared temperature sensor

TW-030KLBM30-KFDKG/US

Protection	IP 65
------------	-------

Tests / approvals

EMC	DIN EN 61000-6-2	
	DIN EN 61000-6-4	
Shock resistance	DIN EN 60068-2-27	30 g (11 ms)
Vibration resistance	DIN EN 60068-2-6	5 g (10...2000 Hz)
MTTF [years]		88

Mechanical data

Weight [g]	411.5
Housing	threaded type
Dimensions [mm]	M30 x 1.5
Thread designation	M30 x 1.5
Materials	threaded sleeve: stainless steel (1.4305 / 303); polyester
Lens material	Infrared transparent crystal lens with anti-reflex coating

Displays / operating elements

Display	Display unit	2 x LED, yellow
	switching status	1 x LED, yellow
	function display	7-segment LED display, 4-digit
	measured values	7-segment LED display, 4-digit
Operating elements	3	pushbuttons

Accessories

Items supplied	lock nuts: 2
----------------	--------------

Remarks

Remarks	Use a screened cable to protect infrared temperature sensors from interference. The screen must be connected to the housing of the sensor via the connector.
Pack quantity	1 pcs.

TW2000

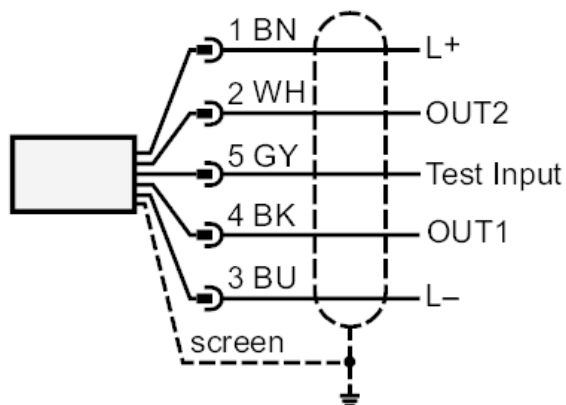


Infrared temperature sensor

TW-030KLBM30-KFDKG/US

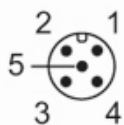
Electrical connection

Connection

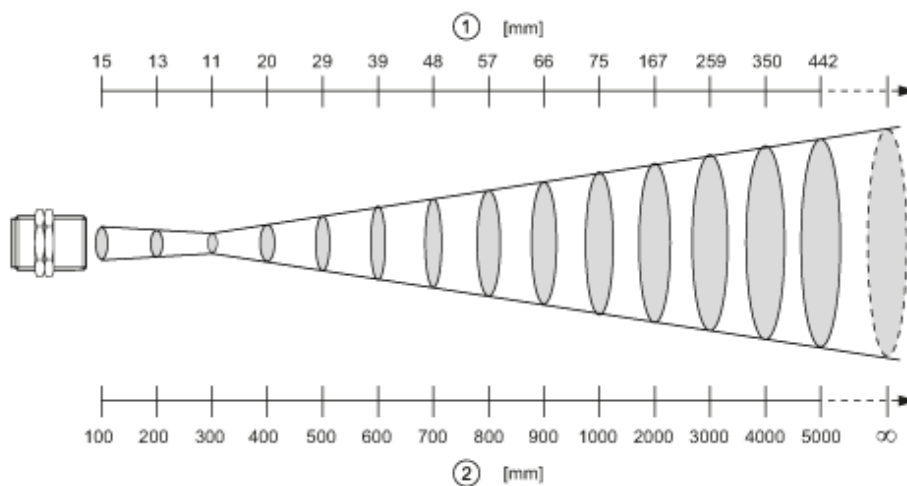


OUT1: switching output / IO-Link
OUT2: analogue output
Core colours :
BK = black
BN = brown
BU = blue
GY = grey
WH = white

Connector: 1 x M12; coding: A



Diagrams and graphs



- 1 diameter of the measured spot
- 2 measuring distance