

## Technical data sheet

Actuator sensor interface · M12 panel jack

---

### M12 connectors panel mounted using M16 thread

Female - A coded

0.5 m TPE wire



---

### Identification

Type	KUGE-M12 8pol. 0,5m Litze
Part No.	<a href="#">490066</a>

---

### Product version

Datasheet version	00
-------------------	----

---

### General

Design	M 12×1
Form male 1	M 12 male straight
Form male 2	M 12 female straight
Rated insulation voltage	30 V
Test voltage	800 V
Degree of pollution	3
Insulation resistance	>100 MΩ
Contact resistance	<3 mΩ
Flamability according to UL 94	V0
Degree of protection	IP67
Housing material	Zinc die-casting
Contact material	CuZn, gold-plated
Thread material	CuZn nickel-plate
Material sealing ring	NBR
Mounting	Front installation Fastening thread M16 × 1,5
Number of conductors/cross-section	0.25 mm <sup>2</sup> (14×0.15 mm)
Conductor insulation	TPE

---

#### United Kingdom: LÜTZE Ltd.

Unit 3, Sandy Hill Park  
Sandy Way, Amington · GB-Tamworth, Staffs B77 4DU  
Tel. +44 (0)1827 31333-0 · Fax +44 (0)1827 31333-2  
[www.lutze.com](http://www.lutze.com) · [sales.gb@lutze.co.uk](mailto:sales.gb@lutze.co.uk)

#### Germany: Friedrich Lütze GmbH

Postfach 12 24 (PLZ 71366) · Bruckwiesenstraße 17-19 · D-71384 Weinstadt  
Tel. +49 (0)7151 6053-0 · Fax +49 (0)7151 6053-277(-288)  
[www.luetze.de](http://www.luetze.de) · [info@luetze.de](mailto:info@luetze.de)

03.05.2022 · Subject to technical modification

Part No. [490066](#) · Datasheet version: 00

page 1 of 3



SYSTEMATIC TECHNOLOGY

## Technical data sheet

### Actuator sensor interface · M12 panel jack

Cable diameter	1.15 mm
Storage temperature range	-40 °C ... +85 °C
Temperature range connector	-25 °C ... +85 °C
Mechanical service life	>100 insertion cycles
Cross-section, metric	0.25 mm <sup>2</sup>
Connection type	M 16
Weight/unit	0.025 kg
PU (units)	1

### Technical data

Operating voltage max.	30 V
Rated current	2 A
Pole number	8
Cable length	0.5 m
Coding	A

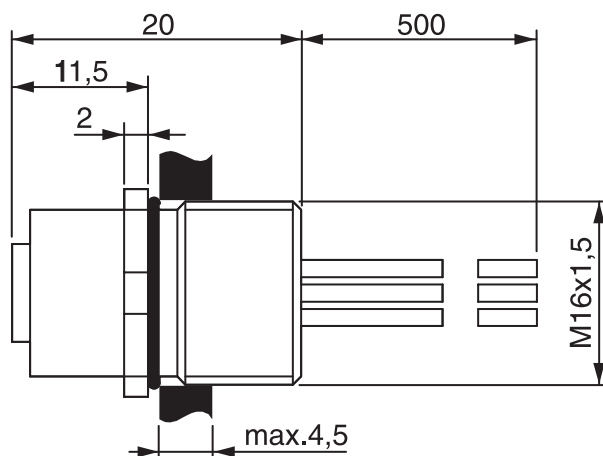
### Equipment/Spare parts

**Accessories** Counter nut M16: Part-No. 600361 | GMS M16 | PU: 100 units

### Notes and Comments

Comments **Connection assignment Pole / wire color:**  
1/ WH (White) – 2/ BN (Braun) – 3/ GN (Green) – 4/ YE (Yellow) – 5/ GY (Grey) – 6/ PK (Pink) – 7/ BU (Blue) – 8/ RD (Red)

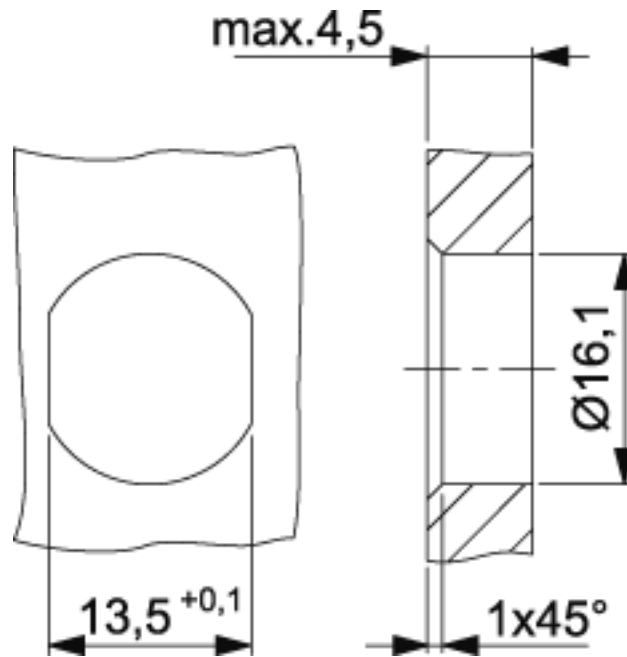
### Dimensions



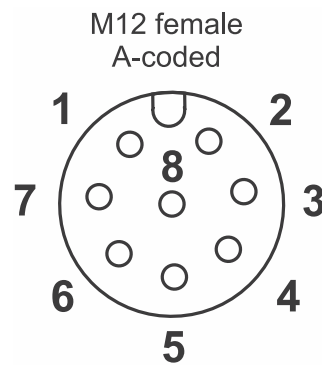
# Technical data sheet

Actuator sensor interface · M12 panel jack

## Mounting diagram



## Pin layout



## Circuit diagram

