



Level



Pressure



Flow



Temperature



Liquid  
Analysis



Registration



Systems  
Components



Services

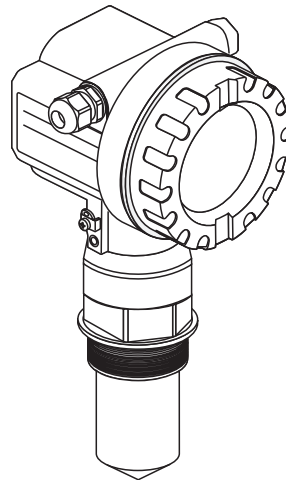


Solutions

## Operating Instructions

# Micropilot M FMR244

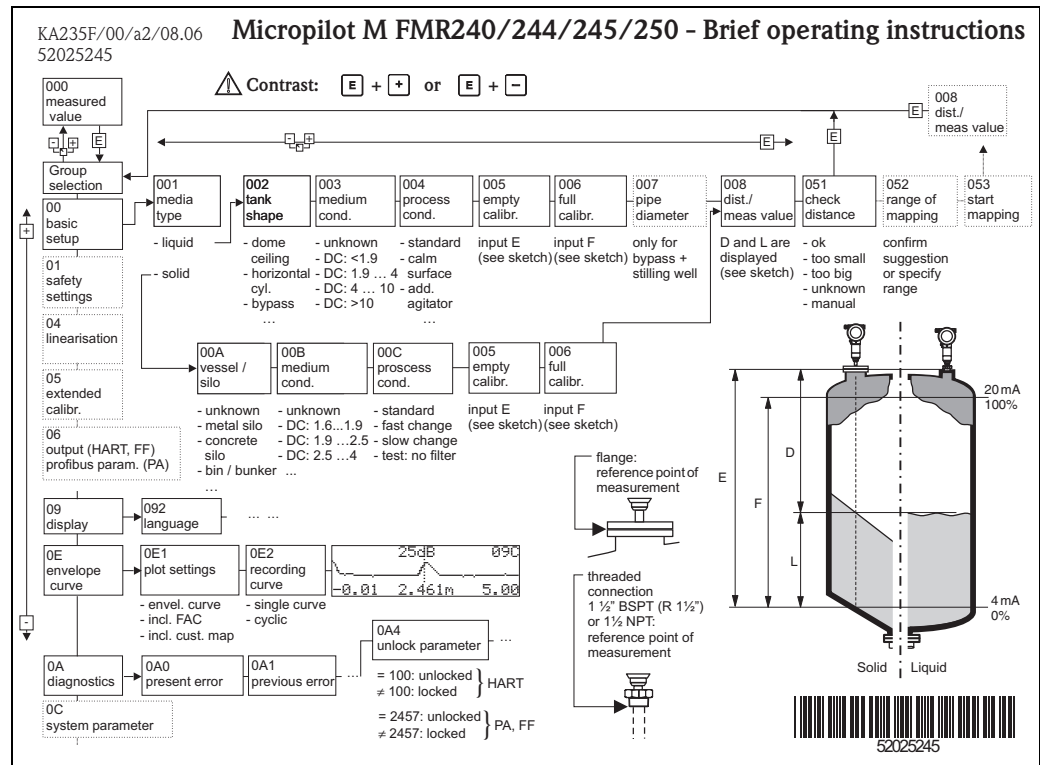
## Level-Radar



BA00249F/00/EN/13.11  
71139066

Valid as of software version:  
01.05.00

# Brief operating instructions



**Note!**

This operating manual explains the installation and initial start-up for the level transmitter. All functions that are required for a typical measuring task are taken into account here. In addition, the Micropilot M provides many other functions that are not included in this operating manual, such as optimising the measuring point and converting the measured values.

An **overview of all device functions** can be found on → 96.

The operating manual BA00291F/00/EN "Description of Instrument Functions" provides an **extensive description of all device functions**, which can be found on the enclosed CD-ROM.

# Table of contents

<b>1</b>	<b>Safety instructions</b>	<b>4</b>	<b>9</b>	<b>Trouble-shooting</b>	<b>78</b>
1.1	Designated use	4	9.1	Trouble-shooting instructions	78
1.2	Installation, commissioning and operation	4	9.2	System error messages	79
1.3	Operational safety and process safety	4	9.3	Application errors in liquids	81
1.4	Notes on safety conventions and symbols	5	9.4	Application errors in solids	83
<b>2</b>	<b>Identification</b>	<b>6</b>	9.5	Orientation of the Micropilot	84
2.1	Device designation	6	9.6	Spare Parts	86
2.2	Scope of delivery	9	9.7	Return	87
2.3	Certificates and approvals	9	9.8	Disposal	87
2.4	Registered trademarks	9	9.9	Software history	87
<b>3</b>	<b>Mounting</b>	<b>10</b>	9.10	Contact addresses of Endress+Hauser	87
3.1	Quick installation guide	10	<b>10</b>	<b>Technical data</b>	<b>88</b>
3.2	Incoming acceptance, transport, storage	11	10.1	Additional technical data	88
3.3	Installation conditions	12	<b>11</b>	<b>Appendix</b>	<b>96</b>
3.4	Installation instructions	21	11.1	Operating menu PROFIBUS PA	96
3.5	Post-installation check	26	11.2	Patents	98
<b>4</b>	<b>Wiring</b>	<b>27</b>	<b>Index</b>		<b>101</b>
4.1	Quick wiring guide	27			
4.2	Connecting the measuring unit	30			
4.3	Recommended connection	31			
4.4	Degree of protection	31			
4.5	Post-connection check	31			
<b>5</b>	<b>Operation</b>	<b>32</b>			
5.1	Quick operation guide	32			
5.2	Display and operating elements	34			
5.3	Local operation	37			
5.4	Display and acknowledging error messages	40			
5.5	PROFIBUS PA communication	41			
<b>6</b>	<b>Commissioning</b>	<b>56</b>			
6.1	Function check	56			
6.2	Switching on the measuring device	56			
6.3	Basic Setup	57			
6.4	Basic Setup with the device display	59			
6.5	Basic Setup with the Endress+Hauser operating program	71			
<b>7</b>	<b>Maintenance</b>	<b>75</b>			
<b>8</b>	<b>Accessories</b>	<b>76</b>			
8.1	Weather protection cover	76			
8.2	Commubox FXA291	76			
8.3	ToF Adapter FXA291	76			
8.4	Proficard	76			
8.5	Profiboard	76			
8.6	Remote display FHX40	77			

# 1 Safety instructions

## 1.1 Designated use

The Micropilot M is a compact radar level transmitter for the continuous, contactless measurement of liquids, pastes, sludge and solids. The device can also be freely mounted outside closed metal vessels because of its operating frequency of about 26 GHz and a maximum radiated pulsed energy of 1 mW (average power output 1  $\mu$ W). Operation is completely harmless to humans and animals.

## 1.2 Installation, commissioning and operation

The Micropilot M has been designed to operate safely in accordance with current technical, safety and EU standards. If installed incorrectly or used for applications for which it is not intended, however, it is possible that application-related dangers may arise, e. g. product overflow due to incorrect installation or calibration. For this reason, the instrument must be installed, connected, operated and maintained according to the instructions in this manual: personnel must be authorised and suitably qualified. The manual must have been read and understood, and the instructions followed. Modifications and repairs to the device are permissible only when they are expressly approved in the manual.

## 1.3 Operational safety and process safety

Alternative monitoring measures must be taken to ensure operational safety and process safety during configuration, testing and maintenance work on the device.

### Hazardous areas

Measuring systems for use in hazardous environments are accompanied by separate "Ex documentation", which is an integral part of this Operating Manual. Strict compliance with the installation instructions and ratings as stated in this Additional documentation is mandatory.

- Ensure that all personnel are suitably qualified.
- Observe the specifications in the certificate as well as national and local regulations.

### 1.3.1 FCC approval

This device complies with part 15 of the FCC Rules. Operation is subject to the following two conditions:

1. This device may not cause harmful interference.
2. This device must accept any interference received, including interference that may cause undesired operation.









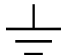


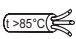


#### Caution!

Changes or modifications not expressly approved by the part responsible for compliance could void the user's authority to operate the equipment.

## 1.4 Notes on safety conventions and symbols

In order to highlight safety-relevant or alternative operating procedures in the manual, the following conventions have been used, each indicated by a corresponding symbol in the margin.

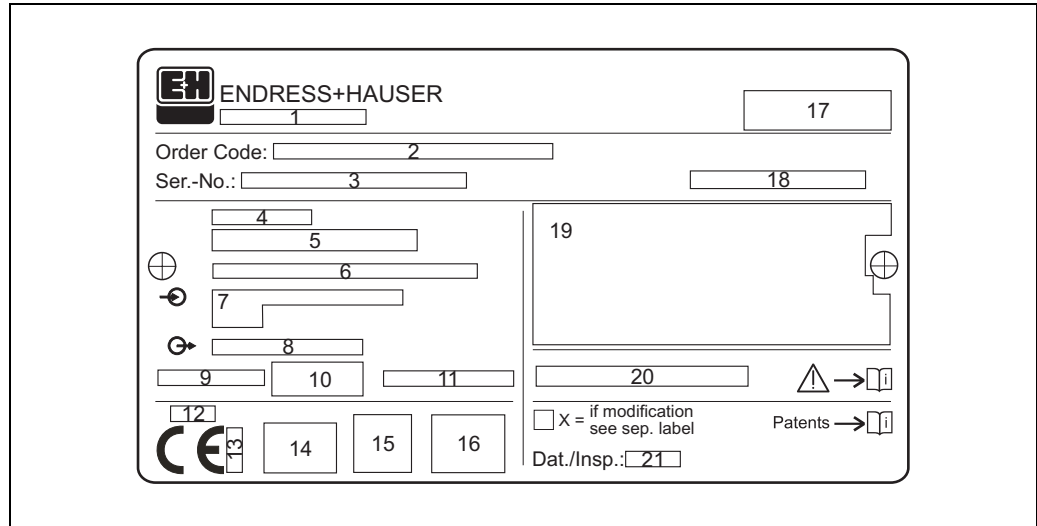
Safety conventions	
	<p><b>Warning!</b> A warning highlights actions or procedures which, if not performed correctly, will lead to personal injury, a safety hazard or destruction of the instrument.</p>
	<p><b>Caution!</b> Caution highlights actions or procedures which, if not performed correctly, may lead to personal injury or incorrect functioning of the instrument.</p>
	<p><b>Note!</b> A note highlights actions or procedures which, if not performed correctly, may indirectly affect operation or may lead to an instrument response which is not planned.</p>
Explosion protection	
	<p><b>Device certified for use in explosion hazardous area</b> If the device has this symbol embossed on its name plate it can be installed in an explosion hazardous area.</p>
	<p><b>Explosion hazardous area</b> Symbol used in drawings to indicate explosion hazardous areas. Devices located in and wiring entering areas with the designation “explosion hazardous areas” must conform with the stated type of protection.</p>
	<p><b>Safe area (non-explosion hazardous area)</b> Symbol used in drawings to indicate, if necessary, non-explosion hazardous areas. Devices located in safe areas still require a certificate if their outputs run into explosion hazardous areas.</p>
Electrical symbols	
	<p><b>Direct voltage</b> A terminal to which or from which a direct current or voltage may be applied or supplied.</p>
	<p><b>Alternating voltage</b> A terminal to which or from which an alternating (sine-wave) current or voltage may be applied or supplied.</p>
	<p><b>Grounded terminal</b> A grounded terminal, which as far as the operator is concerned, is already grounded by means of an earth grounding system.</p>
	<p><b>Protective grounding (earth) terminal</b> A terminal which must be connected to earth ground prior to making any other connection to the equipment.</p>
	<p><b>Equipotential connection (earth bonding)</b> A connection made to the plant grounding system which may be of type e. g. neutral star or equipotential line according to national or company practice.</p>
	<p><b>Temperature resistance of the connection cables</b> States, that the connection cables must be resistant to a temperature of at least 85 °C (185 °F).</p>

## 2 Identification

### 2.1 Device designation

#### 2.1.1 Nameplate

The following technical data are given on the instrument nameplate:



Typenschild-FMxxxx-xx

Information on the nameplate of the Micropilot M

- 1 Instrument designation
- 2 Order code
- 3 Serial number
- 4 Process pressure
- 5 Process temperature
- 6 Length (optional)
- 7 Power supply
- 8 Current supply
- 9 Ambient temperature
- 10 Cable specification
- 11 Factory sealed
- 12 Radio equipment number
- 13 TÜV identification mark
- 14 Certificate symbol (optional) e.g. Ex, NEPSI
- 15 Certificate symbol (optional) e.g. 3A
- 16 Certificate symbol (optional) e.g. SIL, FF
- 17 Place of production
- 18 Degree of protection e.g. IP65, IP67
- 19 Certificates and approvals
- 20 Document number of safety instructions e.g. XA, ZD, ZE
- 21 Dat./Insp. xx / yy (xx = week of production, yy = year of production)

### 2.1.2 Ordering structure

This overview does not mark options which are mutually exclusive.

<b>10</b>	<b>Approval</b>		
	A	Non-hazardous area	
	F	Non-hazardous area, WHG	
	2	ATEX II 1/2G EEx ia IIC T6, XA note safety instruction (XA) (electrostatic charging)!	
	7	ATEX II 1/2G EEx ia IIC T6, WHG, XA note safety instruction (XA) (electrostatic charging)!	
	5	ATEX II 1/2G EEx d [ia] IIC T6, XA note safety instruction (XA) (electrostatic charging)!	
	H	ATEX II 1/2G EEx ia IIC T6, ATEX 3D, XA note safety instruction (XA) (electrostatic charging)!	
	B	ATEX II 1/2D, Alu blind cover, XA	
	C	ATEX II 1/3D, XA	
	G	ATEX II 3G EEx nA II T6	
	S	FM IS - Cl.I Div.1 Gr. A-D, zone 0, 1, 2	
	T	FM XP - Cl.I Div.1 Group A-D, zone 1, 2	
	N	CSA General Purpose	
	U	CSA IS - Cl.I Div.1 Group A-D, zone 0, 1, 2	
	V	CSA XP - Cl.I Div.1 Group A-D, zone 1, 2	
	K	TIIS EEx ia IIC T4	
	L	TIIS EEx d [ia] IIC T4	
	D	IECEX Zone 0/1, Ex ia IIC T6, XA note safety instruction (XA) (electrostatic charging)!	
	E	IECEX Zone 0/1, Ex d (ia) IIC T6, XA note safety instruction (XA) (electrostatic charging)!	
	I	NEPSI Ex ia IIC T6	
	J	NEPSI Ex d (ia) ia IIC T6	
	R	NEPSI Ex nAL IIC T6	
	Y	Special version, TSP-no. to be spec.	
<b>20</b>	<b>Antenna</b>		
	2	40mm/1-1/2", PTFE encapsulated	
	4	80mm/3", PP claddd	
	9	Special version, TSP-no. to be spec.	
<b>30</b>	<b>Antenna Seal; Temperature</b>		
	S	Silicone; -40...80°C/-40...176°F	
	V	FKM Viton GLT; -40...130°C/-40...266°F	
	Y	Special version, TSP-no. to be spec.	
<b>40</b>	<b>Process Connection</b>		
	GGS	Thread ISO228 G1-1/2, PVDF	
	GNS	Thread ANSI NPT1-1/2, PVDF	
	XME	Mounting bracket, 304	
	XRX	W/o slip on flange/mounting bracket, customer side connection	
	XVG	UNI slip on flange 3"/DN80/80, PP max 4bar abs/58psia, suitable for 3" 150lbs/DN80 PN16/10K 80	
	XXG	UNI slip on flange 4"/DN100/100, PP max 4bar abs/58psia, suitable for 4" 150lbs / DN100 PN16 / 10K 100	
	X1G	UNI slip on flange 6"/DN150/150, PP max 4bar abs/58psia, suitable for 6" 150lbs / DN150 PN16 / 10K 150	
	YY9	Special version, TSP-no. to be spec.	
<b>50</b>	<b>Output; Operation</b>		
	A	4-20mA SIL HART; 4-line display VU331, envelope curve display on site	
	B	4-20mA SIL HART; w/o display, via communication	
	K	4-20mA SIL HART; Prepared for FHX40, remote display (Accessory)	
	C	PROFIBUS PA; 4-line display VU331, envelope curve display on site	
	D	PROFIBUS PA; w/o display, via communication	
	L	PROFIBUS PA; Prepared for FHX40, remote display (Accessory)	
	E	FOUNDATION Fieldbus; 4-line display, envelope curve display on site	
	F	FOUNDATION Fieldbus; w/o display, via communication	
	M	FOUNDATION Fieldbus; Prepared for FHX40, remote display (Accessory)	
	Y	Special version, TSP-no. to be spec.	
<b>60</b>	<b>Housing</b>		
	A	F12 Alu, coated IP65 NEMA4X	
	C	T12 Alu, coated IP65 NEMA4X, separate conn. compartment	
	D	T12 Alu, coated IP65 NEMA4X, separate conn. compartment, OVP=overvoltage protection	
	Y	Special version, TSP-no. to be spec.	
<b>70</b>	<b>Cable entry</b>		
	2	Gland M20 (EEx d > thread M20)	
	3	Thread G1/2	
	4	Thread NPT1/2	

<b>70</b>										<b>Cable entry</b>
										5 Plug M12
										6 Plug 7/8"
										9 Special version, TSP-no. to be spec.
<b>80</b>										<b>Additional option</b>
										A Basic version
										F Advanced dynamics, max. MB=70m liquids, max. MB=15m solids, MB=measuring range
										H 5-point linearity protocol, see additional spec.
										L 5-point, advanced dynamics, 5-point linearity protocol, see additional spec., Advanced dynamics, max MB=70m liquids, max MB=15m solids, MB=measuring range
										S GL/ABS/NK marine certificate
										Y Special version, TSP-no. to be spec.
<b>995</b>										<b>Marking</b>
										1 Tagging (TAG)
										2 Bus address
<b>FMR244-</b>										Complete product designation



## 2.2 Scope of delivery



Caution!

It is essential to follow the instructions concerning the unpacking, transport and storage of measuring instruments given in the chapter "Incoming acceptance, transport, storage", → 11!

The scope of delivery consists of:

- Assembled instrument
- Accessories (→ 76)
- Endress+Hauser operating program on the enclosed CD-ROM
- Brief operating instructions KA01010F/00/EN for quick commissioning
- Brief operating instructions KA00235F/00/A2 (basic setup/troubleshooting), housed in the instrument)
- Approval documentation: if this is not included in the operating manual
- CD-ROM with further documentation, e. g.
  - Technical Information
  - Operating Instructions
  - Description of Instrument Functions

## 2.3 Certificates and approvals

### CE mark, declaration of conformity

The device is designed to meet state-of-the-art safety requirements, has been tested and left the factory in a condition in which it is safe to operate. The device complies with the applicable standards and regulations as listed in the EC declaration of conformity and thus complies with the statutory requirements of the EC directives. Endress+Hauser confirms the successful testing of the device by affixing to it the CE mark.

## 2.4 Registered trademarks

KALREZ<sup>®</sup>, VITON<sup>®</sup>, TEFLON<sup>®</sup>

Registered trademark of the company, E.I. Du Pont de Nemours & Co., Wilmington, USA

TRI-CLAMP<sup>®</sup>

Registered trademark of the company, Ladish & Co., Inc., Kenosha, USA

ToF<sup>®</sup>

Registered trademark of the company Endress+Hauser GmbH+Co. KG, Maulburg, Germany

PulseMaster<sup>®</sup>

Registered trademark of the company Endress+Hauser GmbH+Co. KG, Maulburg, Germany

PhaseMaster<sup>®</sup>

Registered trademark of the company Endress+Hauser GmbH+Co. KG, Maulburg, Germany

PROFIBUS<sup>®</sup>

Registered trademark of the PROFIBUS Trade Organisation, Karlsruhe, Germany

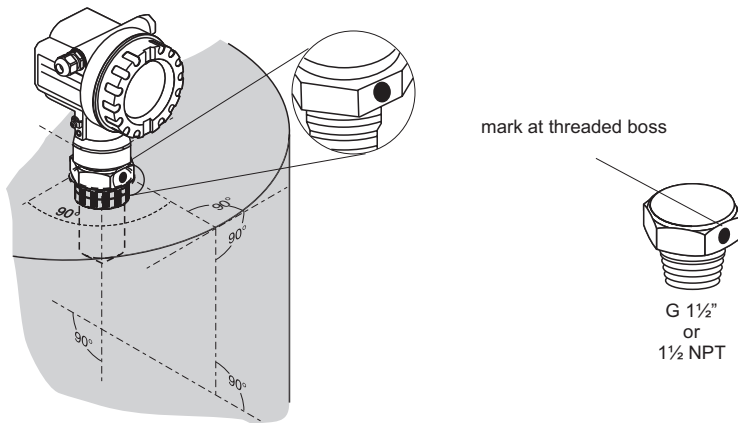
### 3 Mounting

#### 3.1 Quick installation guide

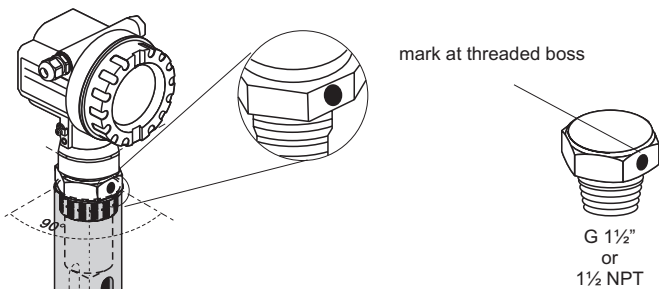


**Observe orientation when installing!**

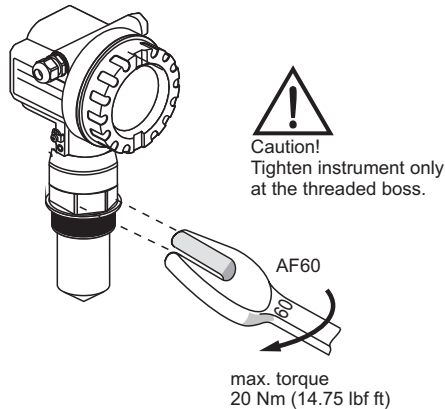
**Installation in tank (free space):  
Mark on process connector facing the nearest tank wall!**



**Installation in stilling well:  
Mark on process connector pointed towards the slots or vent holes!**



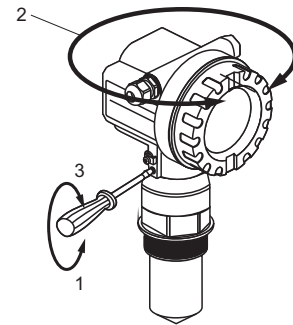
F12 or T12 housing



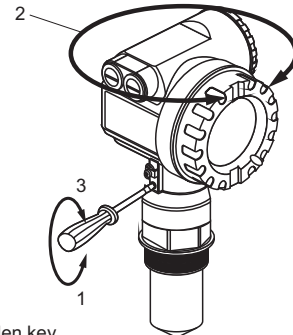
#### Turn housing

The housing can be turned 350° in order to simplify access to the display and the terminal compartment

F12 housing



T12 housing



Allen key  
4 mm (0.16 in)  
max. torque 0.5 Nm (0.37 lbf ft)

## 3.2 Incoming acceptance, transport, storage

### 3.2.1 Incoming acceptance

Check the packing and contents for any signs of damage.

Check the shipment, make sure nothing is missing and that the scope of supply matches your order.

### 3.2.2 Transport



Caution!

Follow the safety instructions and transport conditions for instruments of more than 18 kg (39.69 lbs). Do not lift the measuring instrument by its housing in order to transport it.

### 3.2.3 Storage

Pack the measuring instrument so that is protected against impacts for storage and transport.

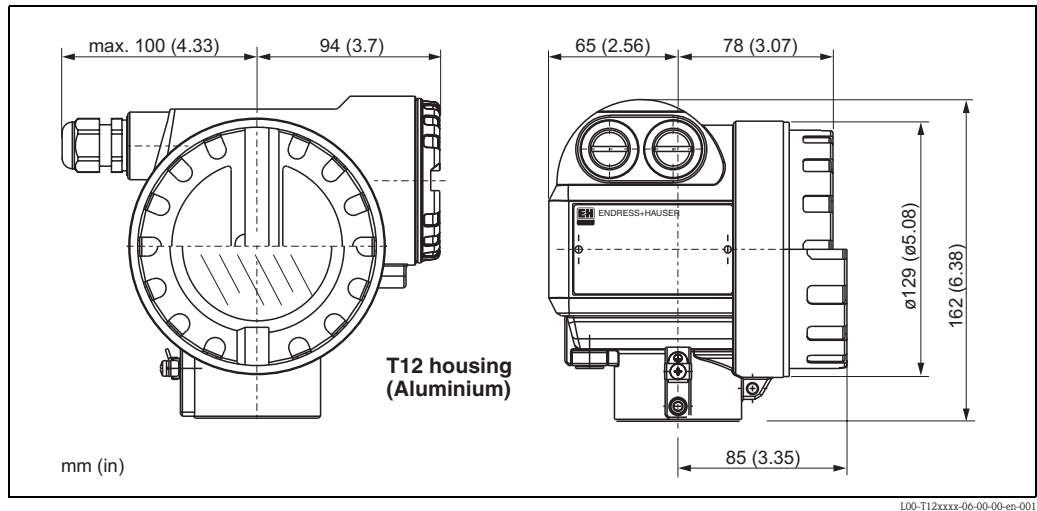
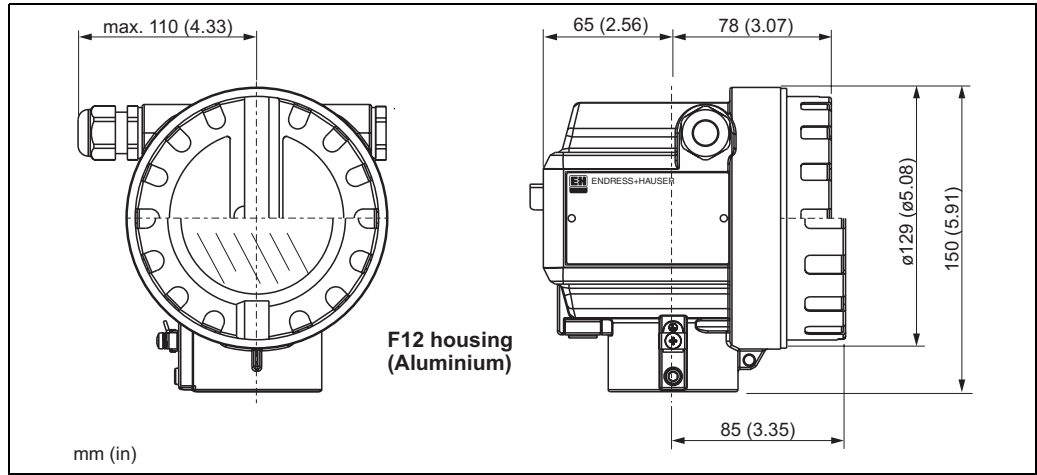
The original packing material provides the optimum protection for this.

The permissible storage temperature is -40 °C to +80 °C (-40 °F to +176 °F) or -50 °C to +80 °C (-58 °F to +176 °F).

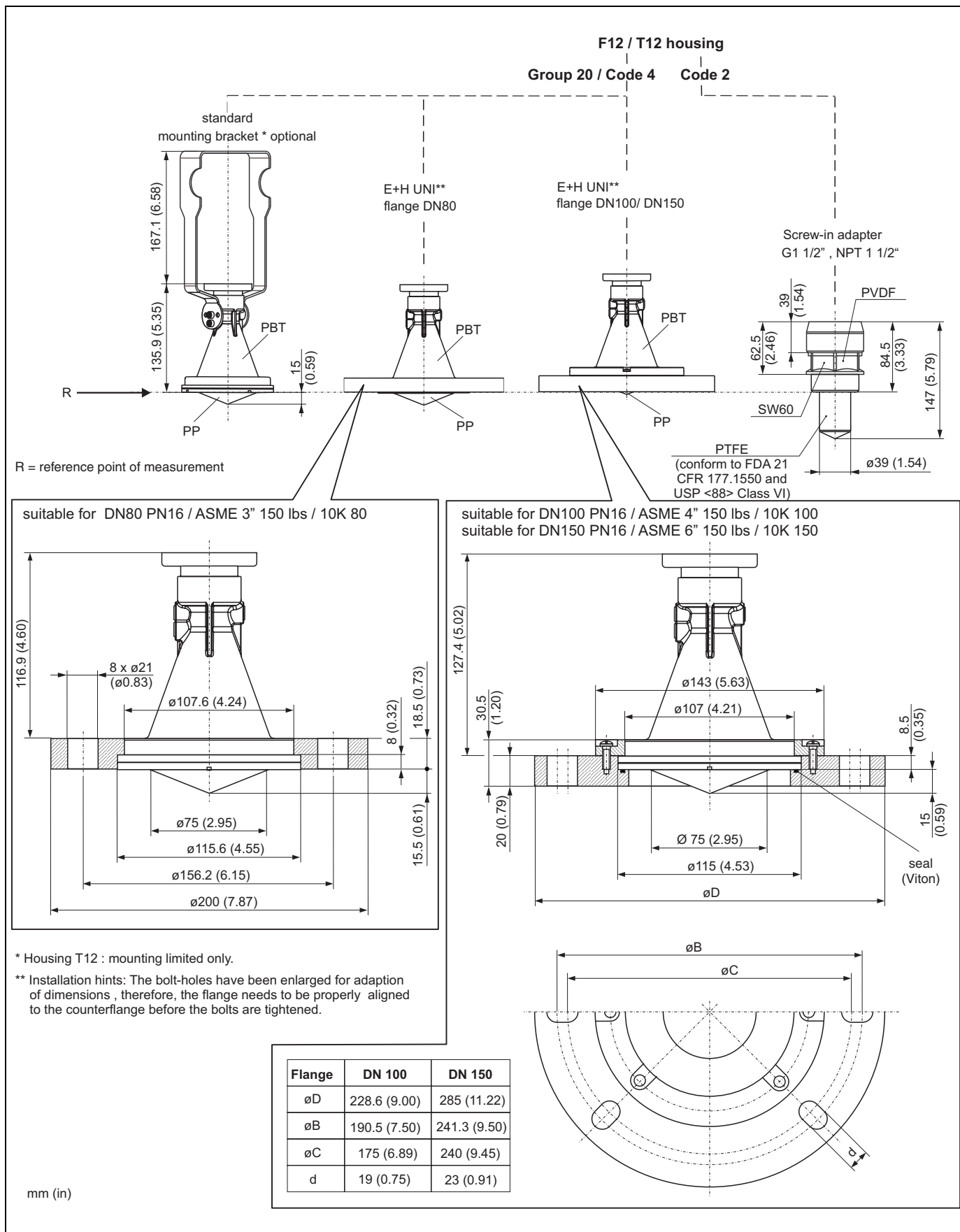
### 3.3 Installation conditions

#### 3.3.1 Dimensions

##### Housing dimensions



Process connection



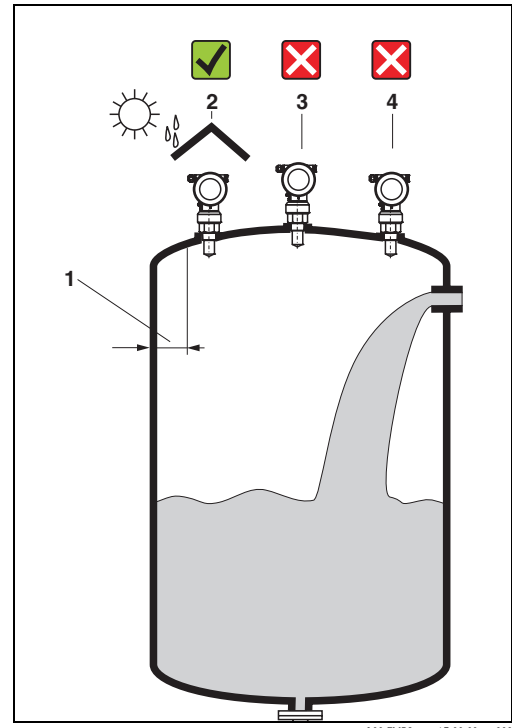
\* Housing T12 : mounting limited only.

\*\* Installation hints: The bolt-holes have been enlarged for adaption of dimensions , therefore, the flange needs to be properly aligned to the counterflange before the bolts are tightened.

### 3.3.2 Engineering hints

#### Orientation

- Recommended distance (1) wall – **outer edge** of nozzle:  $\sim 1/6$  of tank diameter. Nevertheless the device should not be installed closer than 15 cm (5.91 in) to the tank wall.
- Not in the centre (3), interference can cause signal loss.
- Not above the fill stream (4).
- It is recommended to use a weather protection cover (2) in order to protect the transmitter from direct sun or rain. Assembly and disassembly is simply done by means of a tension clamp ( $\rightarrow$  76, "Accessories").

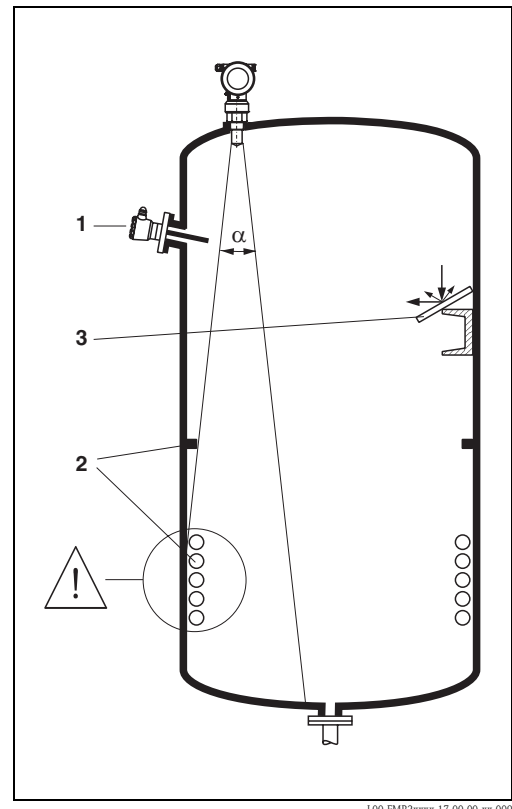


#### Tank installations

- Avoid any installations (1), like limit switches, temperature sensors, etc., inside the signal beam ( $\rightarrow$  16, "Beam angle").
- Symmetrical installations (2), i. e. vacuum rings, heating coils, baffles, etc., can also interfere with the measurement.

#### Optimization options

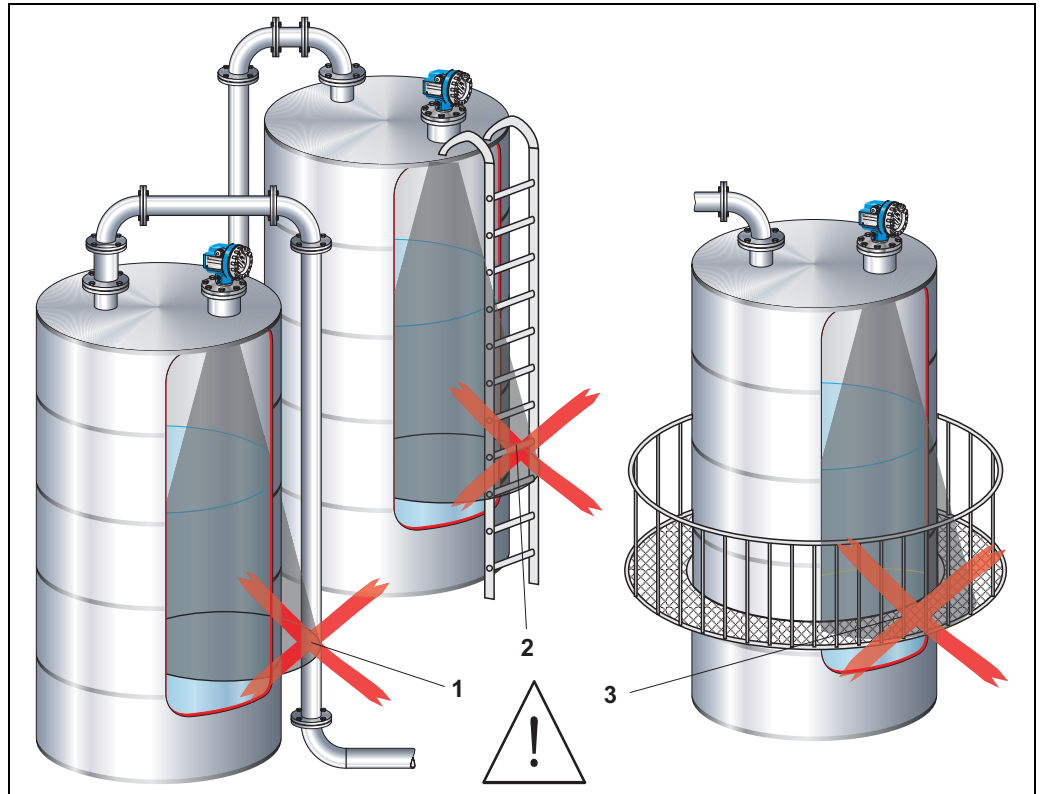
- Antenna size: the bigger the antenna, the smaller the beam angle, the less interference echoes.
- Mapping: the measurement can be optimized by means of electronic suppression of interference echoes.
- Antenna alignment: , "optimum mounting position",  $\rightarrow$  21.
- Stilling well: a stilling well can always be used to avoid interference.
- Metallic screens (3) mounted at a slope spread the radar signals and can, therefore, reduce interference echoes.



Please contact Endress+Hauser for further information.

### Measurement in a plastic tank

If the outer wall of the tank is made of a non-conductive material (e.g. GRP), microwaves can also be reflected off interfering installations outside the signal beam (e.g. metallic pipes (1), ladders (2), grates (3), ...). Therefore, there should be no such interfering installations in the signal beam. Please contact Endress+Hauser for further information.

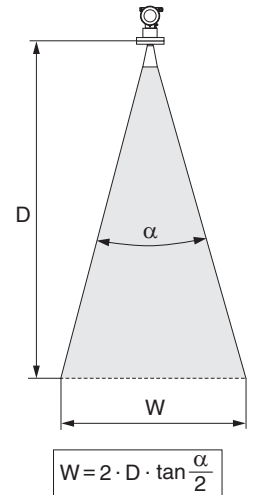


L00-FMR2xxxx-17-00-00-xx-013

**Beam angle**

The beam angle is defined as the angle  $\alpha$  where the energy density of the radar waves reaches half the value of the maximum energy density (3dB-width). Microwaves are also emitted outside the signal beam and can be reflected off interfering installations. Beam diameter **W** as function of antenna type (beam angle  $\alpha$ ) and measuring distance **D**:

Antenna size (horn diameter)	40 mm (1½")	80 mm (3")
Beam angle $\alpha$	23°	10°
Measuring distance (D)	Beam diameter (W)	
	40 mm (1½")	80 mm (3")
3 m (9.8 ft)	1.22 m (4 ft)	0.53 m (1.7 ft)
6 m (20 ft)	2.44 m (8 ft)	1.05 m (3.4 ft)
9 m (30 ft)	3.66 m (12 ft)	1.58 m (5.2 ft)
12 m (39 ft)	4.88 m (16 ft)	2.10 m (6.9 ft)
15 m (49 ft)	6.10 m (20 ft)	2.63 m (8.63 ft)
20 m (66 ft)	8.14 m (27 ft)	3.50 m (11 ft)
25 m (82 ft)	10.17 m (33 ft)	4.37 m (14 ft)
30 m (98 ft)	—	5.25 m (17 ft)
35 m (115 ft)	—	6.12 m (20 ft)
40 m (131 ft)	—	7.00 m (23 ft)
45 m (148 ft)	—	7.87 m (26 ft)
60 m (197 ft)	—	10.50 m (34 ft)
70 m (230 ft)	—	—



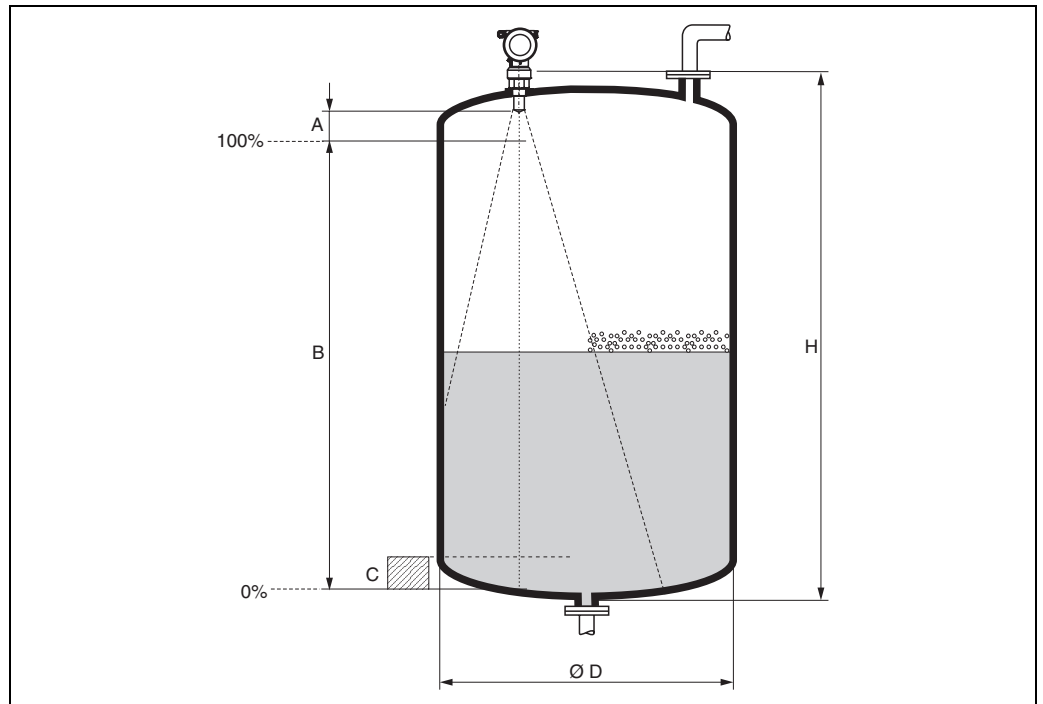
L00-FMR2xxxx-14-00-06-de-027



**Measuring conditions in liquids**

**Note!**

- In case of **boiling surfaces, bubbling** or tendency for **foaming**, use FMR230 or FMR231. Depending on its consistence, foam can either absorb microwaves or reflect them off the foam surface. Measurement is possible under certain conditions.
- In case of heavy **steam development** or **condensate** the max. measuring range of FMR240 may decrease depending on density, temperature and composition of the steam → use FMR230 or FMR231.
- For the measurement of absorbing gases such as **ammonia NH<sub>3</sub>** or some **fluorocarbons** <sup>1)</sup>, please use FMR230 in a stilling well.



L00-FMR2xxxx-17-00-00-de-009

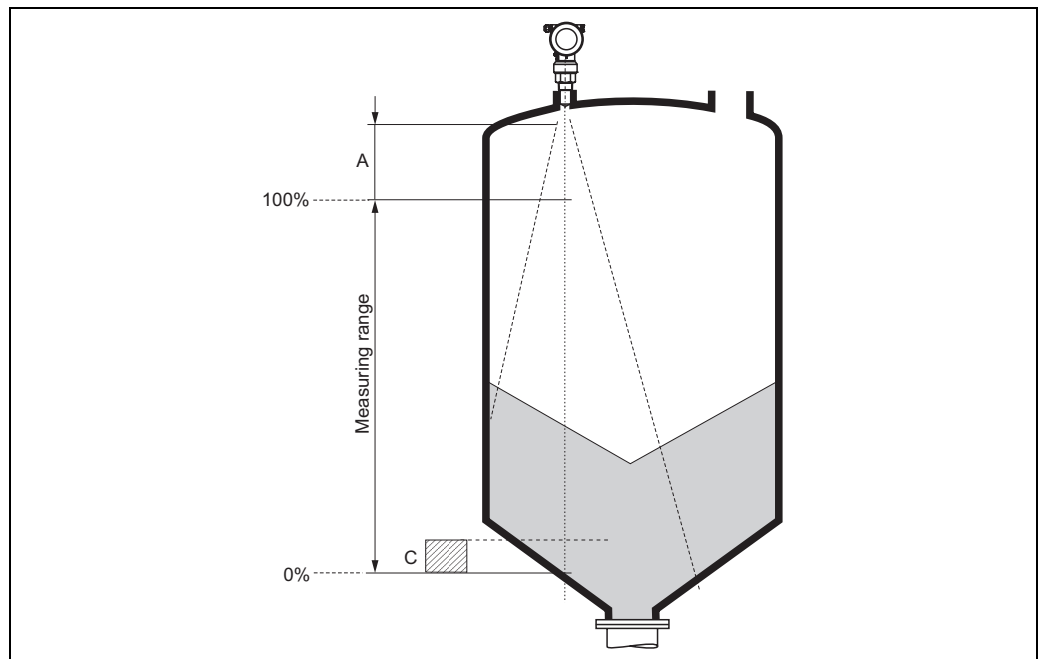
- The measuring range begins, where the beam hits the tank bottom. Particularly with dish bottoms or conical outlets the level cannot be detected below this point.
- In case of media with a low dielectric constant (groups A and B), the tank bottom can be visible through the medium at low levels (low height **C**). Reduced accuracy has to be expected in this range. If this is not acceptable, we recommend positioning the zero point at a distance **C** (see Fig.) above the tank bottom in these applications.
- In principle it is possible to measure up to the tip of the antenna with FMR230/231/240. However, due to considerations regarding corrosion and build-up, the end of the measuring range should not be chosen any closer than **A** (see Fig.) to the tip of the antenna. For FMR244/245, the end of measuring range should not be chosen closer than **A** (see Fig.) to the tip of the antenna, especially if there is development of condensate.
- The smallest possible measuring range **B** depends on the antenna version (see Fig.).
- The tank diameter should be greater than **D** (see Fig.), the tank height at least **H** (see Fig.).

A [mm (in)]	B [m (ft)]	C [mm (in)]	D [m (ft)]	H [m (ft)]
150 (5.91)	> 0.2 (> 0.7)	50 to 250 (1.97 to 9.84)	> 0.2 (> 0.7)	> 0.3 (> 1.0)

1) Affected compounds are e.g. R134a, R227, Dymel 152a.

### Measuring conditions in solids

- The measuring range begins, where the beam hits the bottom. Particularly with conical outlets the level cannot be detected below this point.  
The maximum measuring range can be increased in such applications by using a top target positioner (see TI00345F/00/EN).
- In case of media with a low dielectric constant (groups A and B), the bottom can be visible through the medium at low levels. In order to guarantee the required accuracy in these cases, it is recommended to position the zero-point at a distance **C** above the bottom (see Fig.).
- In principle it is possible to measure up to the tip of the antenna with the Micropilot M. However, due to considerations regarding abrasion and build-up and depending on the orientation of the product surface (angel of repose), the end of the measuring range should be at a distance of **A**, see Fig. If required, and if some conditions (high DC value, flat angle of repose) are met, shorter distances can be achieved.



L00-FMR250xx-17-00-00-en-001

A [mm (in)]	C [mm (in)]
approx. 400 (15.7)	50 to 150 (1.97 to 5.91)

### Measuring range in liquids

The usable measuring range depends on the size of the antenna, the reflectivity of the medium, the mounting location and eventual interference reflections.

The maximum configurable range is:

- 40 m (131 ft) for basic version
- 70 m (230 ft) with additional option F (G), → 7, "ordering information"

The following tables describe the groups of media as well as the achievable measuring range as a function of application and media group. If the dielectric constant of a medium is unknown, it is recommended to assume media group B to ensure a reliable measurement.

Media group	DC ( $\epsilon_r$ )	Examples
<b>A</b>	1.4...1.9	non-conducting liquids, e. g. liquefied gas <sup>1)</sup>
<b>B</b>	1.9...4	non-conducting liquids, e. g. benzene, oil, toluene, ...
<b>C</b>	4...10	e. g. concentrated acids, organic solvents, esters, aniline, alcohol, acetone, ...
<b>D</b>	> 10	conducting liquids, e. g. aqueous solutions, dilute acids and alkalis

1) Treat Ammonia NH<sub>3</sub> as a medium of group A, i. e. use FMR230 in a stilling well.

### Measuring range in solids

The FMR244 with 80 mm (3") antenna or FMR240 with 100 mm (4") horn antenna and additional option F (= advanced dynamics) is also suited for solid applications. The usable measuring range depends on the reflection properties of the medium, the mounting position and interference reflections which may be present. The maximum configurable measuring range for the Micropilot M FMR240 with 100 mm (4") horn antenna and additional option F (= advanced dynamics) is 30 m (98 ft) in solid applications. It is recommended to use the variable flange seal for alignment (see Technical Information TI00345F/00/EN).

Reduction of the max. possible measuring range through:



- Media with poor reflection properties (= small DC). For examples refer to table below.
- Angle of repose.
- Extremely loose surfaces of bulk solids, e. g. bulk solids with low bulk weight for pneumatic filling.
- Build-up, above all of moist products.

The following table describes the media groups and the dielectric constant  $\epsilon_r$ .

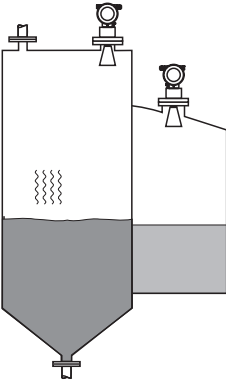
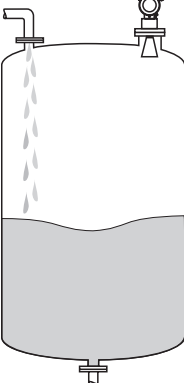
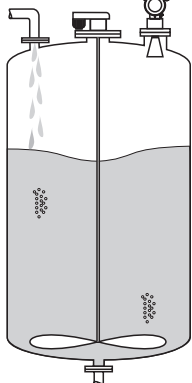
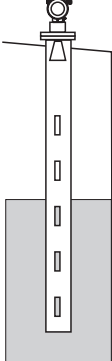
Media group	DC ( $\epsilon_r$ )	Examples	Signal attenuation
<b>A</b>	1.6 to 1.9	– Plastic granulate – White lime, special cement – Sugar	19 to 16 dB
<b>B</b>	1.9 to 2.5	– Portland cement, plaster	16 to 13 dB
<b>C</b>	2.5 to 4	– Grain, seeds – Ground stones – Sand	13 to 10 dB
<b>D</b>	4 to 7	– Naturally moist (ground) stones, ores – Salt	10 to 7 dB
<b>E</b>	> 7	– Metallic powder – Carbon black – Coal	< 7 dB

The respective lower group applies for very loose or loosened bulk solids.

**Measuring range depending on vessel type, conditions and product**

	Standard: max. measuring range = 40 m (131 ft)		With additional option F (G): max. measuring range = 70 m (230 ft) min. measuring range = 5 m (16 ft)
* max. recommended measuring range = 20 m (65 ft) with 80 mm (3") antenna, in solids 15 m (49 ft) <sup>1) 2)</sup>			

- 1) Larger measuring range in solids available on request.
- 2) In solids with additional option F (= advanced dynamic), and variable flange seal (see TI00345F/00/EN).

Storage tank		Buffer tank		Process tank with agitator		Stilling well <sup>1)</sup>	
 <p>Calm product surface (e. g. intermittent filling, filling from bottom, immersion tubes).</p>		 <p>Moving surfaces (e. g. continuous filling, from above, mixing jets).</p>		 <p>Turbulent surface. Single stage agitator &lt;60 RPM.</p>			
40 mm (1½")		* 80 mm (3")		40 mm (1½")		40 mm (1½")	
<b>A</b> 3 (9.9) 5 (16)	<b>B</b> 5 (16) 8 (26)	<b>C</b> 10 (32) 15 (49)	<b>D</b> 15 (49) 25 (82)	<b>A</b> 8 (26) 10 (32)	<b>B</b> 15 (49) 20 (65)	<b>C</b> * 30 (98)	<b>D</b> * 40 (131) 40 (131) 60 (197)
<b>B</b> 2 (6.6)	<b>C</b> 4 (13) 5 (16)	<b>D</b> 7.5 (24) 10 (32)	<b>A</b> 2.5 (8) 5 (16)	<b>B</b> 5 (16) 10 (32)	<b>C</b> 10 (32) 15 (49)	<b>D</b> 15 (49) * 25 (82)	
<b>B</b> 1 (3.2)	<b>C</b> 2 (6.6)	<b>D</b> 3 (9.8) 5 (16)	<b>B</b> 2.5 (8.2)	<b>C</b> 5 (16)	<b>D</b> 8 (26) 12 (39) 15 (49)	<b>A, B, C, D</b> 20 (65)	
<b>Measuring range [m (ft)]</b>							

1) Larger measuring range on request

### 3.4 Installation instructions

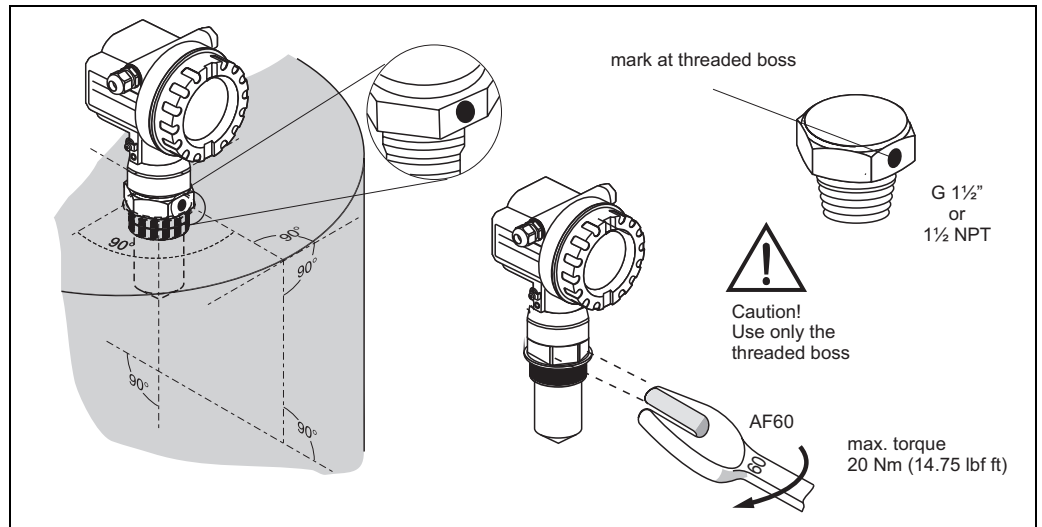
#### 3.4.1 Mounting kit

In addition to the tool needed for flange mounting, you will require the following tool:

- A key AF60 for threaded boss
- 4 mm (0.16 in) Allen wrench for turning the housing.

#### 3.4.2 Installation in tank (free space)

##### Optimum mounting position



L00-FMR244xx-17-00-00-en-003

##### Standard installation - 40 mm (1½") antenna

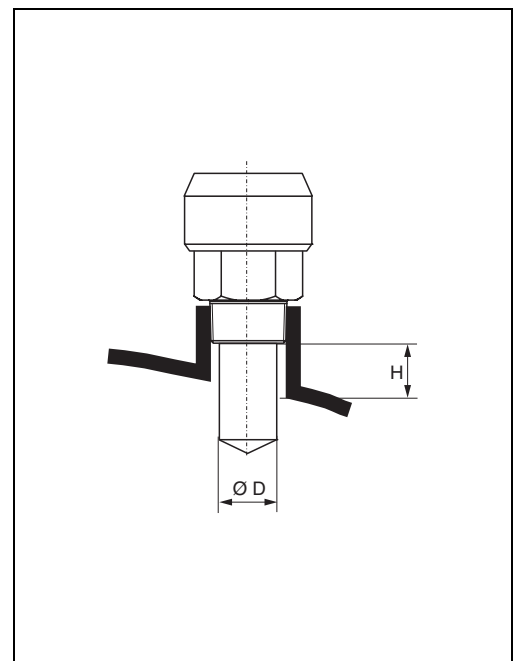
When mounting in a tank, please observe engineering hints (→ 14) and the following points:

- Marker is aligned towards tank wall.
- Install the device using the threaded boss (AF60) only. Observe the max. torque of 20 Nm (14.75 lbf ft).
- After mounting, the housing can be turned 350° in order to simplify access to the display and the terminal compartment.
- For optimum measurement, the horn antenna should extend below the nozzle. Nozzle heights up to 500 mm (19.7 in) can be accepted if this should not be possible due to mechanical reasons.

Note!

Please contact Endress+Hauser for application with higher nozzle.

- The antenna must be aligned vertically.



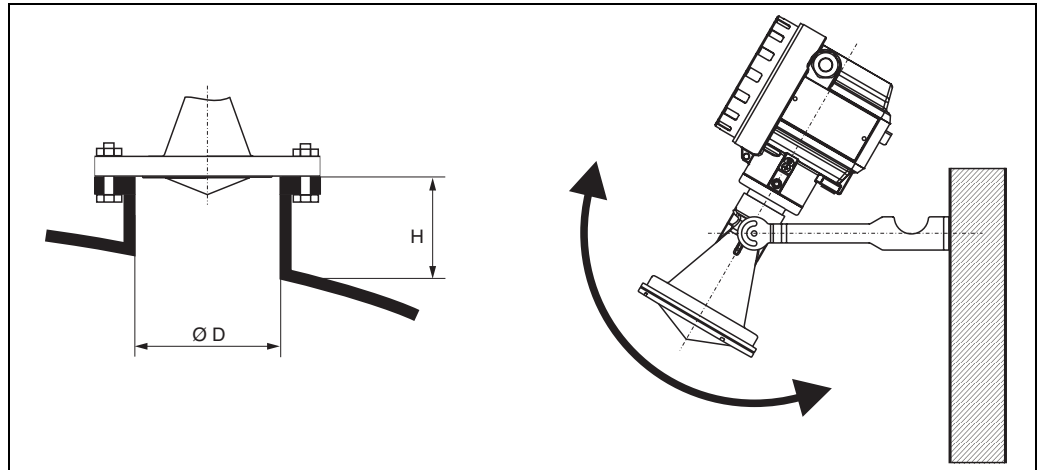
L00-FMR244xx-17-00-00-de-002

Antenna size	40 mm (1½")
D [mm (in)]	39 (1.5)
H [mm (in)]	< 85 (< 3.4)

**Standard installation - 80 mm (3") antenna**

When mounting in a tank, please observe engineering hints (→ 14) and the following points:

- Marker is aligned towards tank wall.
- The marker is located directly below the housing neck on the stainless steel feedthrough.
- As an option for flange mounting, a variable flange seal (see TI00345F/00/EN) can be used to align the device (solid applications).
- If using a mounting bracket, the device can be aligned at the bracket (solid applications).
- After mounting (flange), the housing can be turned 350° in order to simplify access to the display and the terminal compartment.

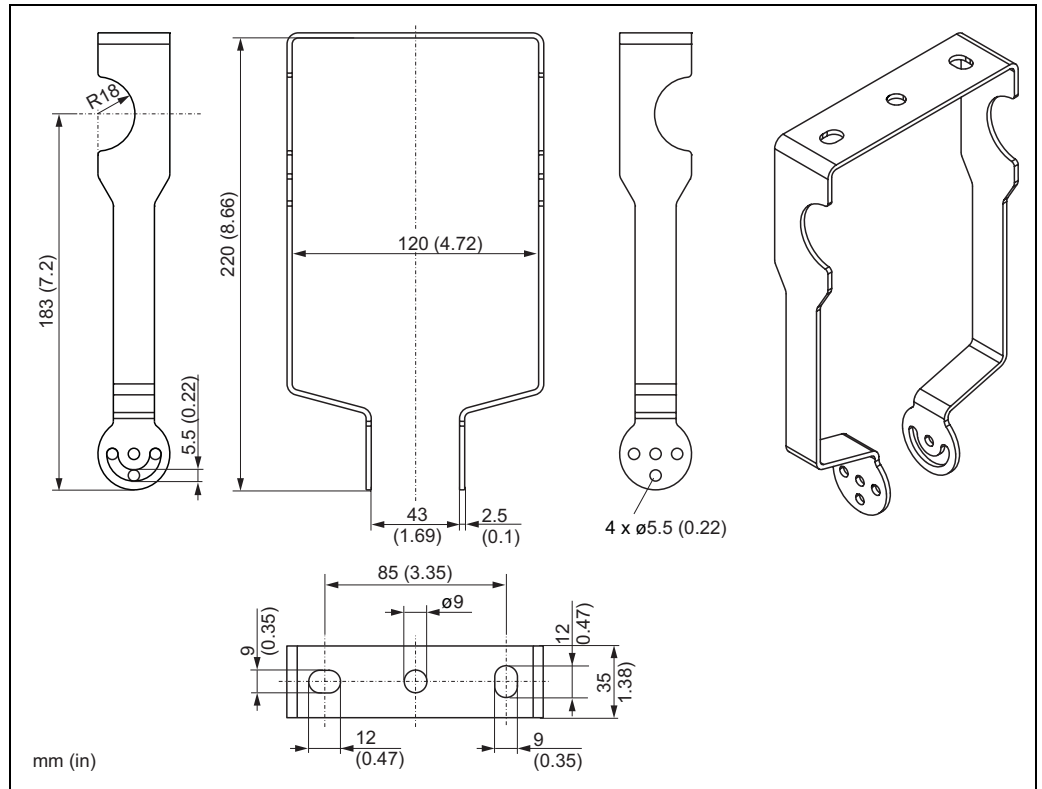


100-FMR244ex-17-00-00-xx-011

Antenna size	80 mm (3")		
D [mm (in)]	80 (3.15)	100 (3.94)	150 (5.91)
H [mm (in)]	< 500 (19.7)	< 500 (19.7)	< 500 (19.7)

**Mounting bracket**

Dimensions:

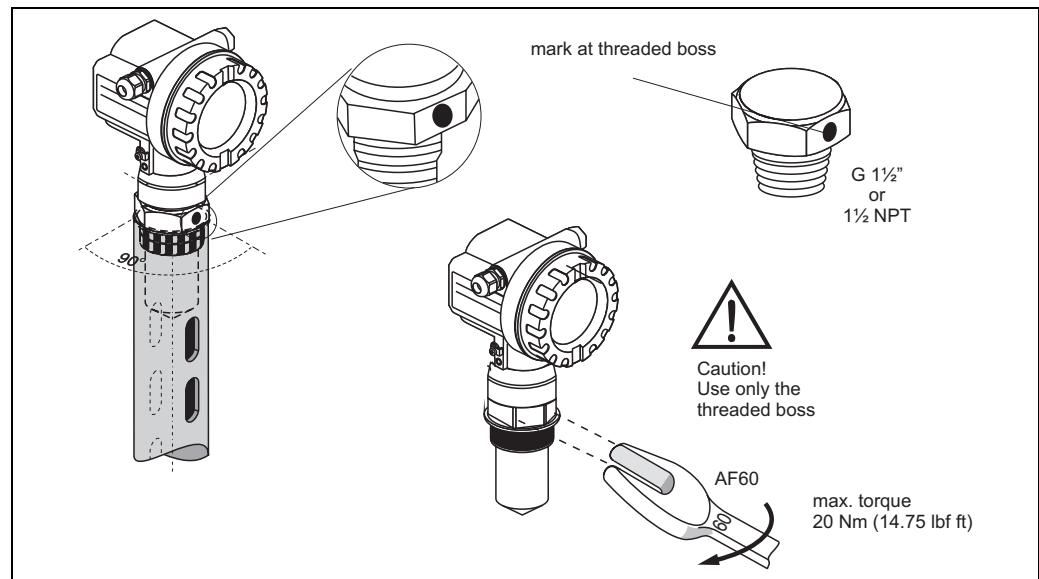


Note!

With T12 housing it's not possible to mount the device direct at the ceiling.

### 3.4.3 Installation in stilling well

#### Optimum mounting position



#### Standard installation

For installations in a stilling well, follow the engineering hints (→ 14) and note the following points:

- Marker is aligned toward slots.
- Install the device using the threaded boss (AF60) only. Observe the max. torque of 20 Nm (14.75 lbf ft).
- After mounting, the housing can be turned 350° in order to simplify access to the display and the terminal compartment.
- Measurements can be performed through an open full bore ball valve without any problems.

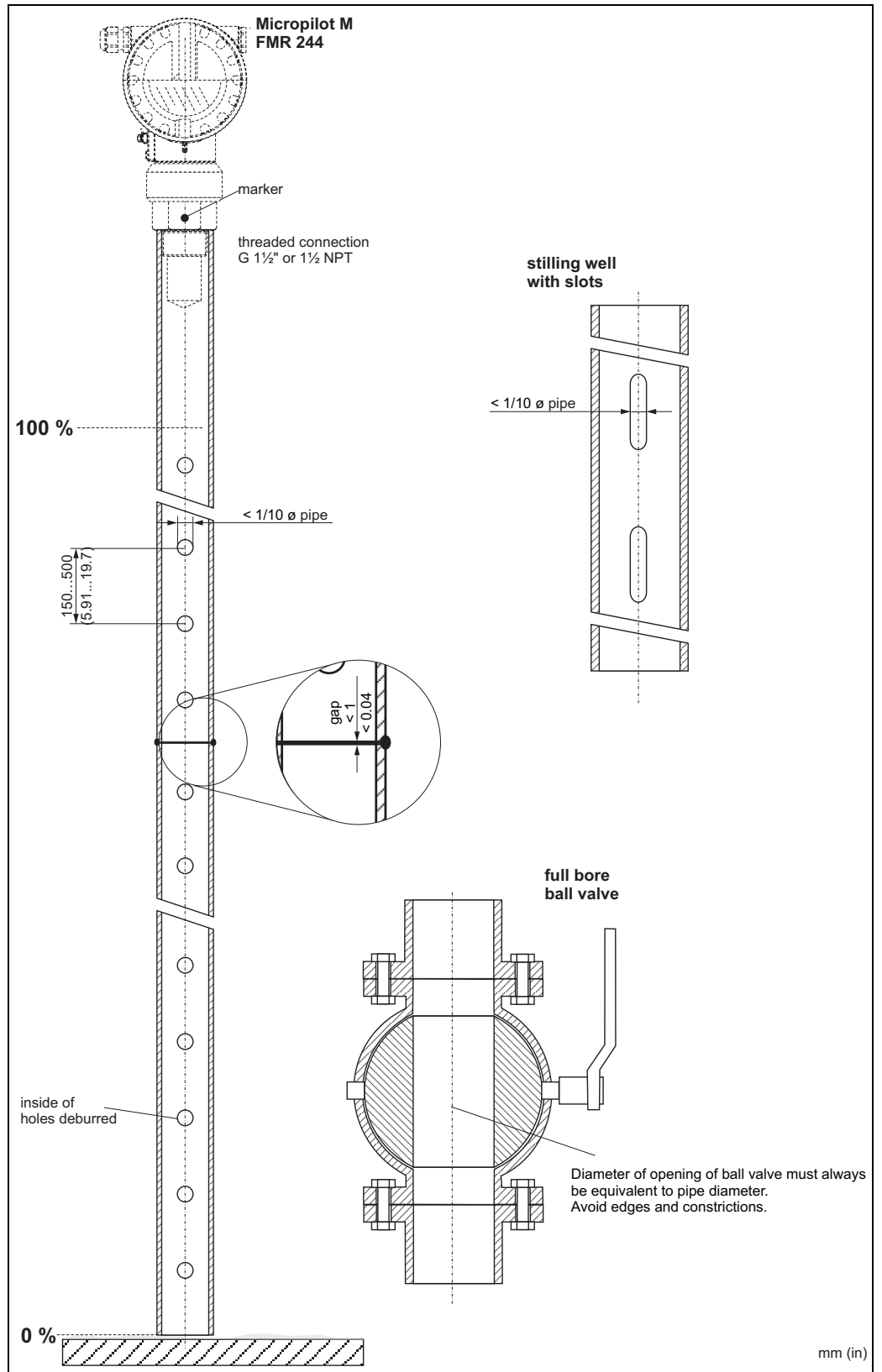
#### Recommendations for the stilling well

At the construction of a stilling well, please note the following points:

- Metal (no enamel coating, plastic coating on request).
- Constant diameter.
- Stilling well diameter not larger than antenna diameter.
- Weld seam as smooth as possible and on the same axis as the slots.
- Slots offset 180° (not 90°).
- Slot width respectively diameter of holes max. 1/10 of pipe diameter, de-burred. Length and number do not have any influence on the measurement.
- At any transition (i. e. when using a ball valve or mending pipe segments), no gap may be created exceeding 1 mm (0.04 in).
- The stilling well must be smooth on the inside (average roughness  $R_z \leq 6.3 \mu\text{m}$  ( $\leq 248 \mu\text{in}$ )). Use extruded or parallel welded stainless steel pipe. An extension of the pipe is possible with welded flanges or pipe sleeves. Flange and pipe have to be properly aligned at the inside.
- Do not weld through the pipe wall. The inside of the stilling well must remain smooth. In case of unintentional welding through the pipe, the weld seam and any unevenness on the inside need to be carefully removed and smoothed. Otherwise, strong interference echoes will be generated and material build-up will be promoted.



Examples for the construction of stilling wells

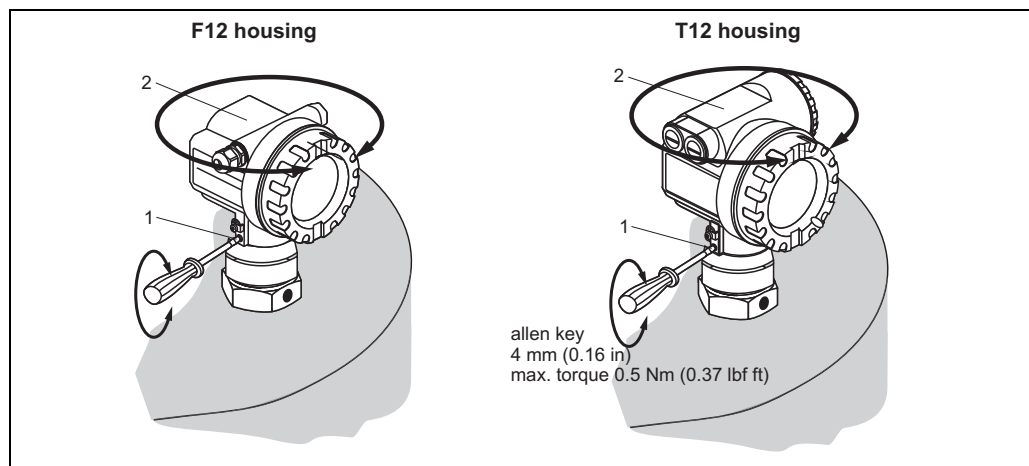


L00-FMR244zx-17-00-00-en-005

### 3.4.4 Turn housing

After mounting, the housing can be turned 350° in order to simplify access to the display and the terminal compartment. Proceed as follows to turn the housing to the required position:

- Undo the fixing screws (1)
- Turn the housing (2) in the required direction
- Tighten up the fixing screws (1). Maximum torque 0.5 Nm (0.37 lbf ft).



### 3.5 Post-installation check

After the measuring instrument has been installed, perform the following checks:

- Is the measuring instrument damaged (visual check)?
- Does the measuring instrument correspond to the measuring point specifications such as process temperature/pressure, ambient temperature, measuring range, etc.?
- Is the flange marking correctly aligned (→ 10)?
- Have the flange screws been tightened up with the respective tightening torque?
- Are the measuring point number and labeling correct (visual check)?
- Is the measuring instrument adequately protected against rain and direct sunlight (→ 76)?

# 4 Wiring

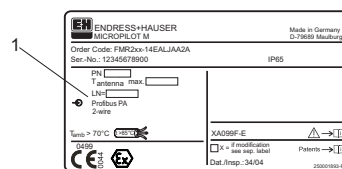
## 4.1 Quick wiring guide

### Wiring in F12 housing



Before connection please note the following:

- PROFIBUS devices are marked on the nameplate (1). The voltage is determined by the PROFIBUS standard and the desired safety concept (see chapter 4.3).
- Connect potential matching line to transmitter earth terminal before connecting up the device.
- Tighten the locking screw: It forms the connection between the antenna and the housing earth potential.



When you use the measuring system in hazardous areas, make sure you comply with national standards and the specifications in the safety instructions (XA's). Make sure you use the specific cable gland.

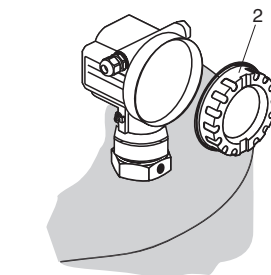


On devices supplied with a certificate, the explosion protection is designed as follows:

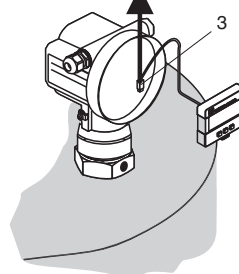
- Housing F12 - Ex ia: Power supply must be intrinsically safe.
- The electronics and the current output are galvanically separated from the antenna circuit.

Connect up the Micropilot M as follows:

- Unscrew housing cover (2).
- Remove any display (3) if fitted.
- Remove cover plate from terminal compartment (4).
- Pull out terminal module slightly using pulling loop.
- Insert cable (5) through gland (6).
- Use screened, twisted wire pair.

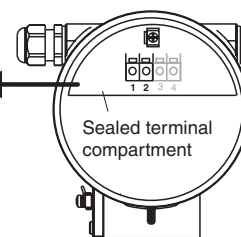
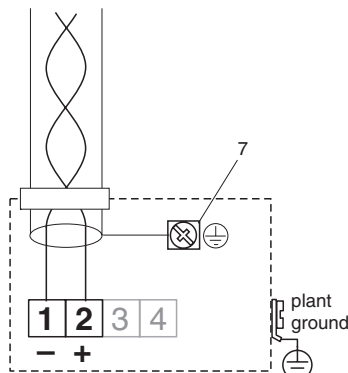
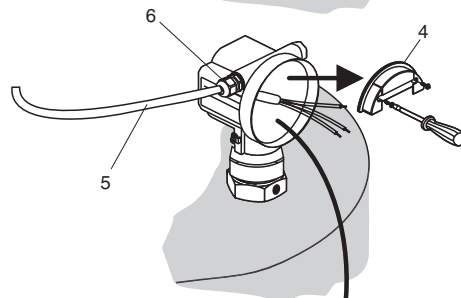


**Unplug display connector!**



Only earth screen conductor (7) on sensor side.

- Make connection (see pin assignment).
- Re-insert terminal module.
- Tighten cable gland (6).
- Tighten screws on cover plate (4).
- Insert display if fitted.
- Screw on housing cover (2).

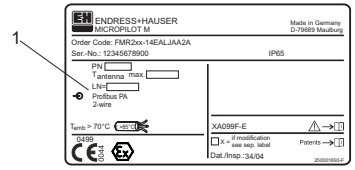


### Wiring in T12 housing



Before connection please note the following:

- PROFIBUS devices are marked on the nameplate (1). The voltage is determined by the PROFIBUS standard and the desired safety concept (see chapter 4.3).
- Connect potential matching line to transmitter earth terminal before connecting up the device.
- Tighten the locking screw: It forms the connection between the antenna and the housing earth potential.



When you use the measuring system in hazardous areas, make sure you comply with national standards and the specifications in the safety instructions (XA's). Make sure you use the specific cable gland.



Connect up the Micropilot M as follows:

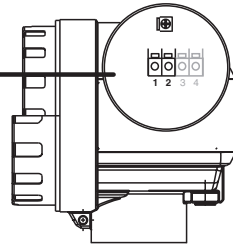
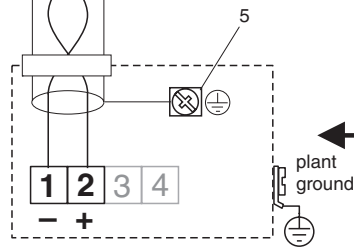
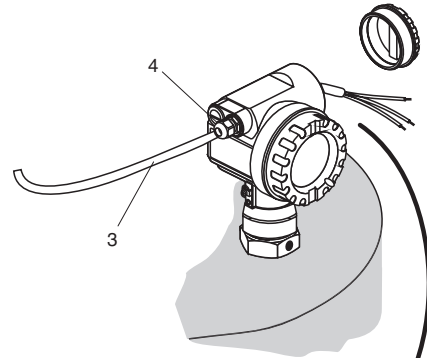
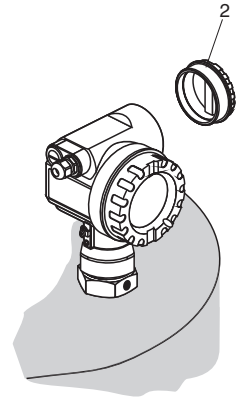
Before unscrew housing cover (2) at separate connection room turn off the power supply!

- Insert cable (3) through gland (5). Use screened, twisted wire pair.



Only ground screening of the line (5) on sensor side.

- Make connection (see pin assignment).
- Tighten cable gland (4).
- Screw on housing cover (2).
- Switch on power supply.

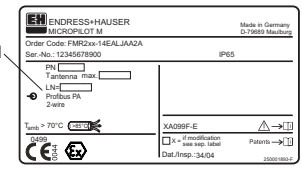


### Wiring with M12 connector

**Caution!**

Before connection please note the following:

- PROFIBUS devices are marked on the nameplate (1). The voltage is determined by the PROFIBUS PA standard and the desired safety concept (see chapter 4.3).
- Connect potential matching line to transmitter earth terminal before connecting up the device.
- Tighten the locking screw: It forms the connection between the antenna and the housing earth potential.



When you use the measuring system in hazardous areas, make sure you comply with national standards and the specifications in the safety instructions (XA's). Make sure you use the specific cable gland.

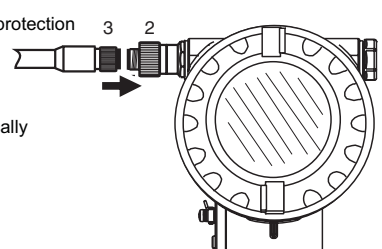
**EX**

On devices supplied with a certificate, the explosion protection is designed as follows:

- Housing F12/F23 - Ex ia:
- Power supply must be intrinsically safe.
- The electronics and the current output are galvanically separated from the antenna circuit.

The Micropilot M is connected as follows:

- Insert plug (2) into bushing (3).
- Screw firmly.
- Ground the device according to the desired safety concept.



L00-FMR230xx-04-00-00-en-004

### Cable specification PROFIBUS

Twisted, screened pairs must be used. The following specification must be met for explosion hazardous application (EN50020, FISCO model):

- Loop-resistance (DC): 15 to 150 Ω/km
- Specific inductance: 0.4 to 1 mH/km
- Specific capacitance: 80 to 200 nF/km

The following cable types can be used, for example

Non-Ex-area:

- Siemens 6XV1 830-5BH10 (black)
- Kerpen CEL-PE/OSCR/PVC/FRLA FB-02YS(ST)YFL (grey)
- Belden 3076F (orange)

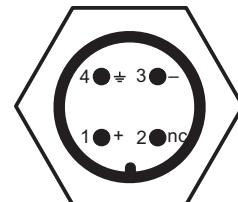
Ex-area:

- Siemens 6XV1 830-5AH10 (blue),
- Belden 3076F
- Kerpen CEL-PE/OSCR/PVC/FRLA FB-02YS(ST)YFL (blue)

### Fieldbus plug connectors

For the versions with fieldbus plug connector, the signal line can be connected without opening the housing.

*Pin assignment of the M12 plug connector (PROFIBUS PA plug)*

	Pin	Meaning
	1	Ground
	2	Signal +
	3	Signal -
	4	not connected

L00-FMxxxxxx-04-00-00-yy-016

## 4.2 Connecting the measuring unit

### Cable entry

- Cable gland: M20x1.5 (for Ex d: cable entry)
- Cable entry: G½ or ½NPT
- PROFIBUS PA M12 plug

### Supply voltage

The following values are the voltages across the terminals directly at the instrument:

Supply voltage	9 V to 30 V (Ex) <sup>1)</sup> 9 V to 32 V (non Ex) max. voltage: 35 V
Polarity sensitive	No
FISCO/FNICO compliant in accordance to IEC60079-27	Yes

- 1) There may be additional restrictions for devices with an explosion protection certificate. Refer to the notes in the appropriate safety instructions (XA).

### Current consumption

- Device basic current: max. 13 mA
- Error current FDE (Fault Disconnection Electronic): 0 mA

### Overvoltage protector

The level transmitter Micropilot M with T12-housing (housing version "D", → 7 "Ordering structure") is equipped with an internal overvoltage protector (600 V surge arrester) according to DIN EN 60079-14 or IEC 60060-1 (impulse current test 8/20  $\mu$ s,  $\hat{I} = 10$  kA, 10 pulses). Connect the metallic housing of the Micropilot M to the tank wall or screen directly with an electrically conductive lead to ensure reliable potential matching.

### Connection with M12 plug

The Micropilot M PROFIBUS PA sensor version with M12 plug is supplied ready wired and need only be connected to the bus by means of a suitable cord set.

### 4.3 Recommended connection

For maximum EMC protection please observe the following points:

- The external ground terminal on the transmitter must be connected to ground.
- The continuity of the cable screening between tapping points must be ensured.
- If potential equalisation is present between the individual grounding points, ground the screening at each cable end or connect it to the device housing (as short as possible).
- If there are large differences in potential between grounding points, the grounding should run via a capacitor that is suitable for high frequency use (e. g. ceramic 10 nF/250 V~).



Caution!

Applications, which are subject to the explosion prevention, permit only under special conditions the repeated grounding of the protective screen, see to EN60079-14.

### 4.4 Degree of protection

- with closed housing: IP65, NEMA4X (higher degree of protection e. g. IP68 on request)
- with open housing: IP20, NEMA1 (also ingress protection of the display)
- antenna: IP68 (NEMA6P)


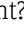


Caution!

Degree of protection IP68 NEMA 6P applies for M12 PROFIBUS PA plugs only when the PROFIBUS cable is plugged in.

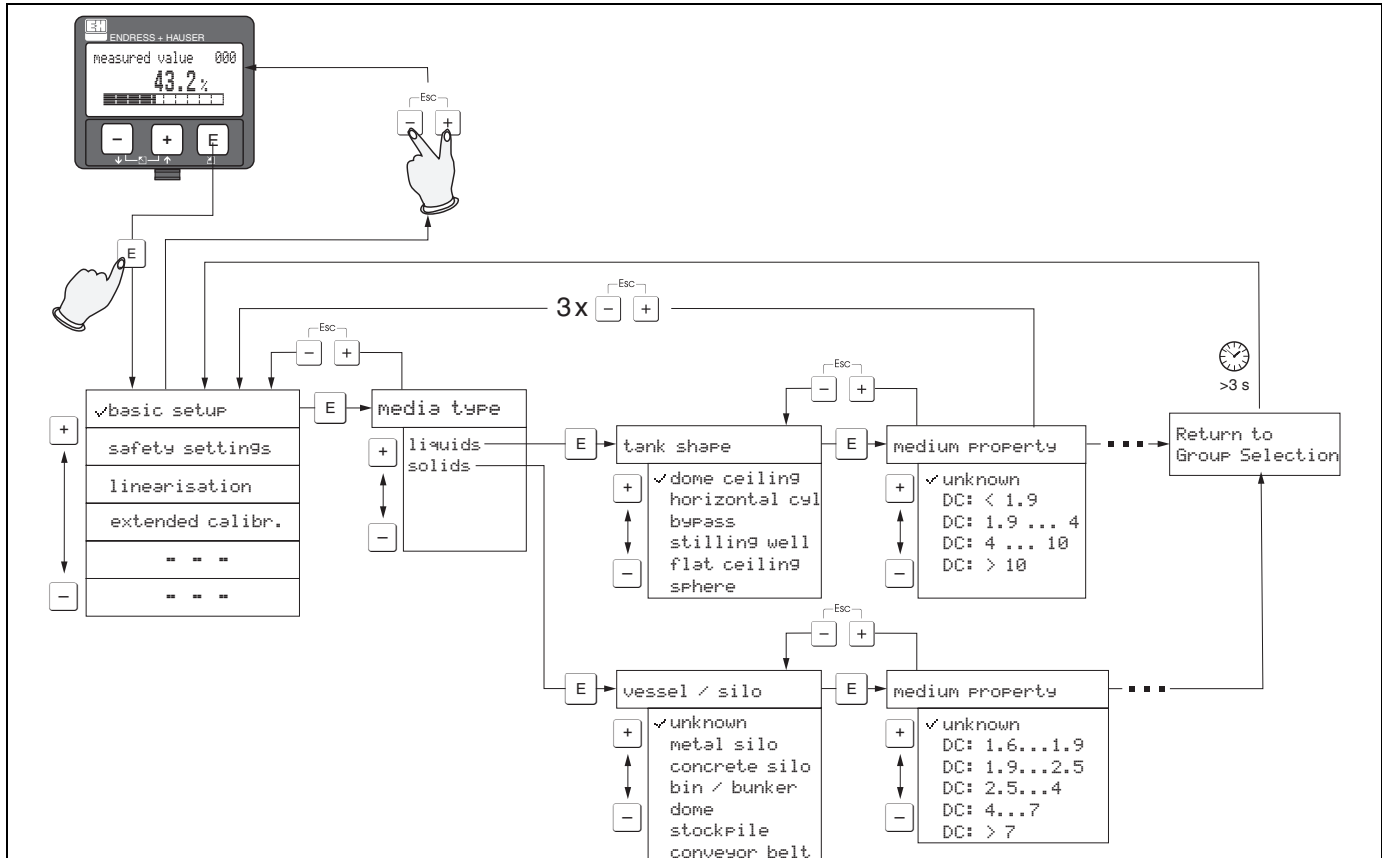
### 4.5 Post-connection check

After wiring the measuring instrument, perform the following checks:

- Is the terminal allocation correct (→  27 and →  29)?
- Is the cable gland tight?
- Is the M12 connector screwed tight?
- Is the housing cover screwed tight?
- If auxiliary power is available:
  - Is the instrument ready for operation and does the liquid crystal display show any value?

# 5 Operation

## 5.1 Quick operation guide



**Example - Selection and configuration in Operation menu:**

- 1.) Change from Measured Value Display to **Group Selection** by pressing **E**
- 2.) Press **-** or **+** to select the required **Function Group** (e.g.. "basic setup (00)") and confirm by pressing **E** → **First function** (e.g. "tank shape (002)") is selected.

**Note!**

The active selection is marked by a **✓** in front of the menu text.

- 3.) Activate Edit mode with **+** or **-**.

**Selection menus:**

- a) Select the required **Parameter** in selected **function** (e.g. "tank shape (002)") with **-** or **+**.
- b) **E** confirms selection → **✓** appears in front of the selected parameter
- c) **E** confirms the edited value → system quits Edit mode
- d) **+** + **-** (= **Esc**) interrupts selection → system quits Edit mode

**Typing in numerals and text:**

- a) Press **+** or **-** to edit the first character of the **numeral / text** (e.g. "empty calibr. (005)")
  - b) **E** positions the cursor at the next character → continue with (a) until you have completed your input
  - c) if a **⚡** symbol appears at the cursor, press **E** to accept the value entered → system quits Edit mode
  - d) **+** + **-** (= **Esc**) interrupts the input, system quits Edit mode
- 4) Press **E** to select the next **function** (e.g. "medium property (003)")
  - 5) Press **+** + **-** (= **Esc**) once → return to previous **function** (e.g. "tank shape (002)")  
 Press **+** + **-** (= **Esc**) twice → return to **Group selection**
  - 6) Press **+** + **-** (= **Esc**) to return to **Measured value display**



### 5.1.1 General structure of the operating menu

The operating menu is made up of two levels:

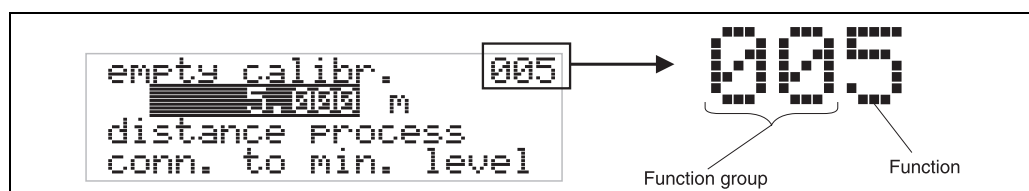
- **Function groups (00, 01, 03, ..., 0C, 0D):** The individual operating options of the instrument are split up roughly into different function groups. The function groups that are available include, e.g.: "**basic setup**", "**safety settings**", "**output**", "**display**", etc.
- **Functions (001, 002, 003, ..., 0D8, 0D9):** Each function group consists of one or more functions. The functions perform the actual operation or parameterisation of the instrument. Numerical values can be entered here and parameters can be selected and saved. The available functions of the "**basic setup**" (00) function group include, e.g.: "**tank shape**" (002), "**medium property**" (003), "**process cond.**" (004), "**empty calibr.**" (005), etc.

If, for example, the application of the instrument is to be changed, carry out the following procedure:

1. Select the "**basic setup**" (00) function group.
2. Select the "**tank shape**" (002) function (where the existing tank shape is selected).

### 5.1.2 Identifying the functions

For simple orientation within the function menus (→ 96), for each function a position is shown on the display.



The first two digits identify the function group:

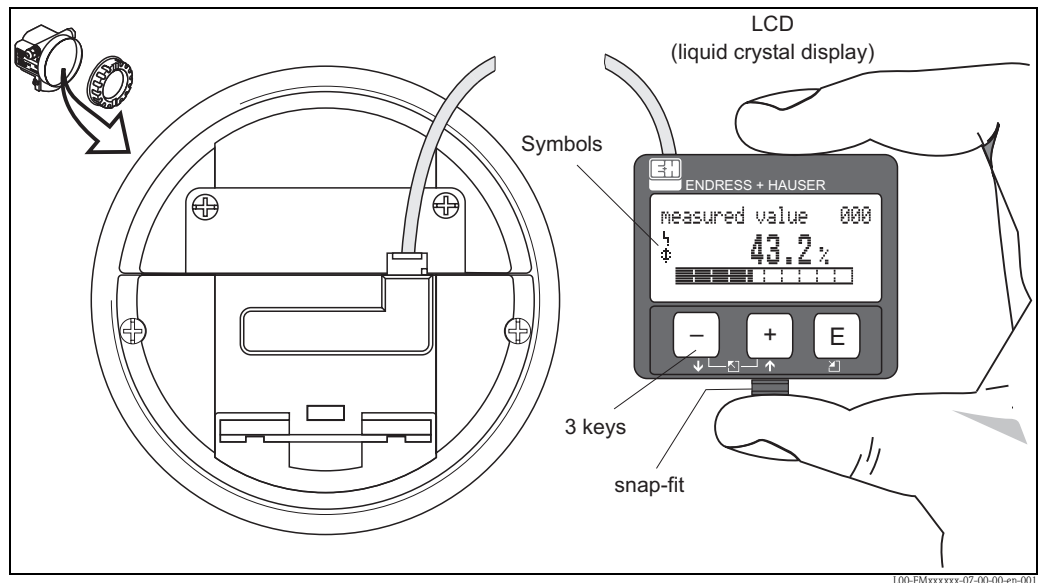
- **basic setup**           00
- **safety settings**     01
- **linearisation**       04
- ...

The third digit numbers the individual functions within the function group:

- **basic setup**           00 → ■ **tank shape**           002
- **medium property**     003
- **process cond.**         004
- ...

Hereafter the position is always given in brackets (e.g. "**tank shape**" (002)) after the described function.

## 5.2 Display and operating elements



*Layout of the display and operating elements*

The LCD display can be removed to ease operation by simply pressing the snap-fit (see graphic above). It is connected to the device by means of a 500 mm (19.7 in) cable.



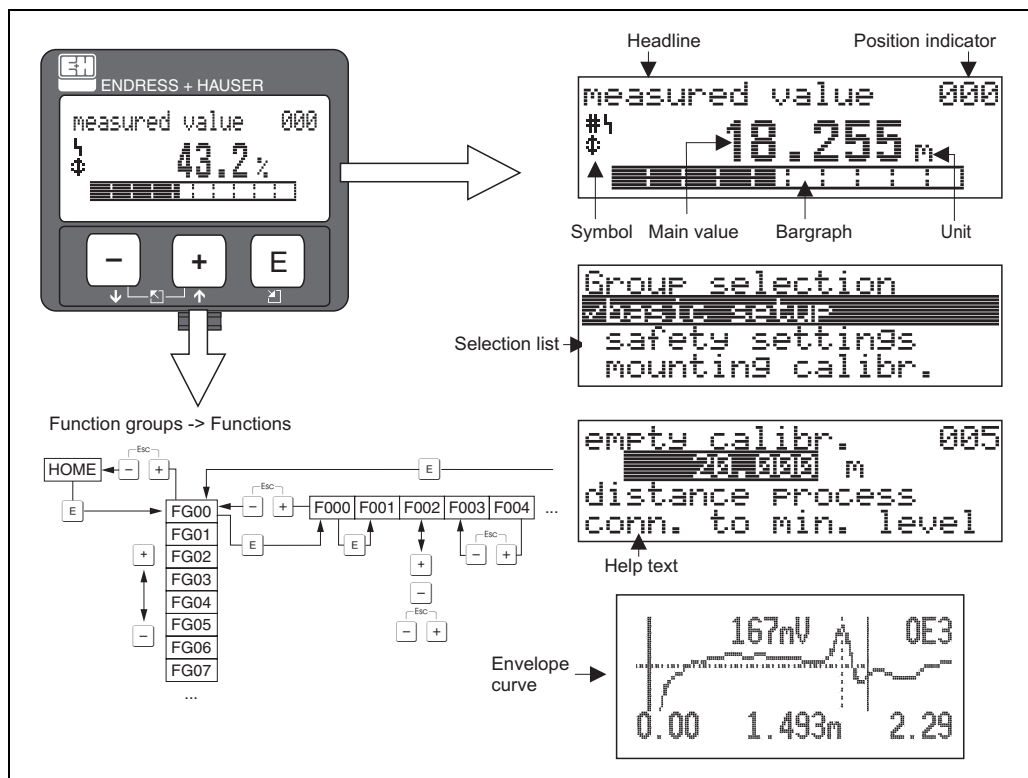
Note!

To access the display the cover of the electronic compartment may be removed even in hazardous area (IS and XP).

### 5.2.1 Display

#### Liquid crystal display (LCD):

Four lines with 20 characters each. Display contrast adjustable through key combination.



Display

### 5.2.2 Display symbols








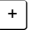

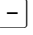




The following table describes the symbols that appear on the liquid crystal display:

Sybmol	Meaning
	<b>ALARM_SYMBOL</b> This alarm symbol appears when the instrument is in an alarm state. If the symbol flashes, this indicates a warning.
	<b>LOCK_SYMBOL</b> This lock symbol appears when the instrument is locked, i.e. if no input is possible.
	<b>COM_SYMBOL</b> This communication symbol appears when a data transmission via e.g. HART, PROFIBUS PA or FOUNDATION Fieldbus is in progress.

### 5.2.3 Key assignment

The operating elements are located inside the housing and are accessible for operation by opening the lid of the housing.

#### Function of the keys


Key(s)	Meaning
 or 	Navigate upwards in the selection list. Edit numeric value within a function.
 or 	Navigate downwards in the selection list. Edit numeric value within a function.
 or 	Navigate to the left within a function group.
	Navigate to the right within a function group, confirmation.
 and  or  and 	Contrast settings of the LCD.
 and  and 	Hardware lock / unlock After a hardware lock, an operation of the instrument via display or communication is not possible! The hardware can only be unlocked via the display. An unlock parameter must be entered to do so.

## 5.3 Local operation


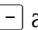


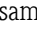
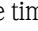
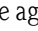
### 5.3.1 Locking of the configuration mode

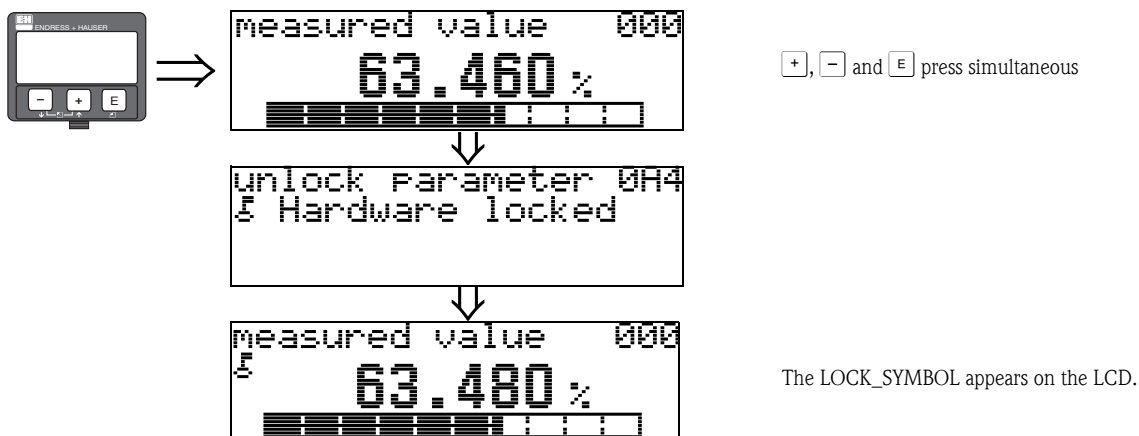
The Micropilot can be protected in two ways against unauthorised changing of instrument data, numerical values or factory settings:

#### Function "unlock parameter" (0A4):

A value <> 2457 (e. g. 2450) must be entered in "unlock parameter" (0A4) in the "diagnostics" (0A) function group. The lock is shown on the display by the  symbol and can be released again either via the display or by communication.

#### Hardware lock:

The instrument is locked by pressing the ,  and  keys at the same time. The lock is shown on the display by the  symbol and can **only** be unlocked again via the display by pressing the ,  and  keys at the same time again. It is **not** possible to unlock the hardware by communication. All parameters can be displayed even if the instrument is locked.



### 5.3.2 Unlocking of configuration mode

If an attempt is made to change parameters on display when the instrument is locked, the user is automatically requested to unlock the instrument:

#### Function "unlock parameter" (0A4):

By entering the unlock parameter (on the display or via communication)

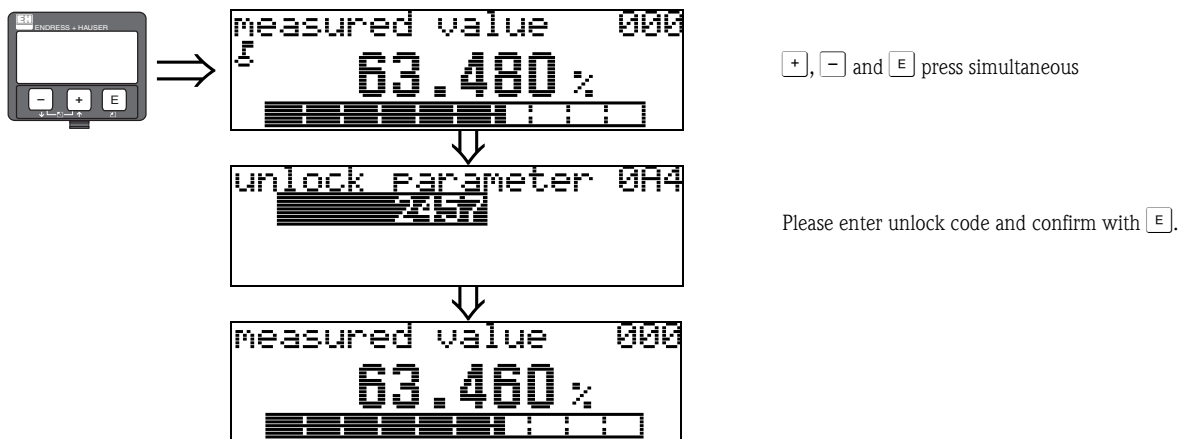
**2457** = for PROFIBUS PA devices

the Micropilot is released for operation.

#### Hardware unlock:

After pressing the  $\boxed{+}$ ,  $\boxed{-}$  and  $\boxed{E}$  keys at the same time, the user is asked to enter the unlock parameter

**2457** = for PROFIBUS PA devices.



#### Caution!

Changing certain parameters such as all sensor characteristics, for example, influences numerous functions of the entire measuring system, particularly measuring accuracy. There is no need to change these parameters under normal circumstances and consequently, they are protected by a special code known only to the Endress+Hauser service organization.

Please contact Endress+Hauser if you have any questions.

### 5.3.3 Factory settings (Reset)



#### Caution!

A reset sets the instrument back to the factory settings. This can lead to an impairment of the measurement. Generally, you should perform a basic setup again following a reset.

A reset is only necessary if the instrument...

- ... no longer functions
- ... must be moved from one measuring point to another
- ... is being de-installed /put into storage/installed



#### User input ("reset" (0A3)):

- 33333 = customer parameters (PROFIBUS PA)

#### 33333 = reset customer parameters

This reset is recommended whenever an instrument with an unknown "history" is to be used in an application:

- The Micropilot is reset to the default values.
- The customer specific tank map is not deleted.
- A linearisation is switched to "**linear**" although the table values are retained. The table can be reactivated in the "**linearisation**" (04) function group.

List of functions that are affected by a reset:

- |                                      |                          |
|--------------------------------------|--------------------------|
| ■ tank shape (002) - liquids only    | ■ diameter vessel (047)  |
| ■ vessel / silo (00A) - solids only  | ■ range of mapping (052) |
| ■ empty calibr. (005)                | ■ pres. Map dist (054)   |
| ■ full calibr. (006)                 | ■ offset (057)           |
| ■ pipe diameter (007) - liquids only | ■ low output limit (062) |
| ■ output on alarm (010)              | ■ fixed current (063)    |
| ■ output on alarm (011)              | ■ fixed cur. value (064) |
| ■ outp. echo loss (012)              | ■ simulation (065)       |
| ■ ramp %span/min (013)               | ■ simulation value (066) |
| ■ delay time (014)                   | ■ 4mA value (068)        |
| ■ safety distance (015)              | ■ 20mA value (069)       |
| ■ in safety dist. (016)              | ■ format display (094)   |
| ■ level/ullage (040)                 | ■ distance unit (0C5)    |
| ■ linearisation (041)                | ■ download mode (0C8)    |
| ■ customer unit (042)                |                          |

The tank map can also be reset in the "**mapping**" (055) function of the "**extended calibr.**" (05) function group.

This reset is recommended whenever an instrument with an unknown "history" is to be used in an application or if a faulty mapping was started:

- The tank map is deleted. The mapping must be recommenced.

## 5.4 Display and acknowledging error messages

### Types of errors

Errors that occur during commissioning or measuring are displayed immediately on the local display. If two or more system or process errors occur, the error with the highest priority is the one shown on the display.

The measuring system distinguishes between two types of errors:

- **A (Alarm):**  
Instrument goes into a defined state (e.g. max 22 mA)  
Indicated by a constant  $I_{\text{I}}$  symbol.  
(For a description of the codes, → [79](#))
- **W (Warning):**  
Instrument continue measuring, error message is displayed.  
Indicated by a flashing  $I_{\text{I}}$  symbol.  
(For a description of the codes, → [79](#))
- **E (Alarm / Warning):**  
Configurable (e.g. loss of echo, level within the safety distance)  
Indicated by a constant/flashing  $I_{\text{I}}$  symbol.  
(For a description of the codes, → [79](#))



### 5.4.1 Error messages

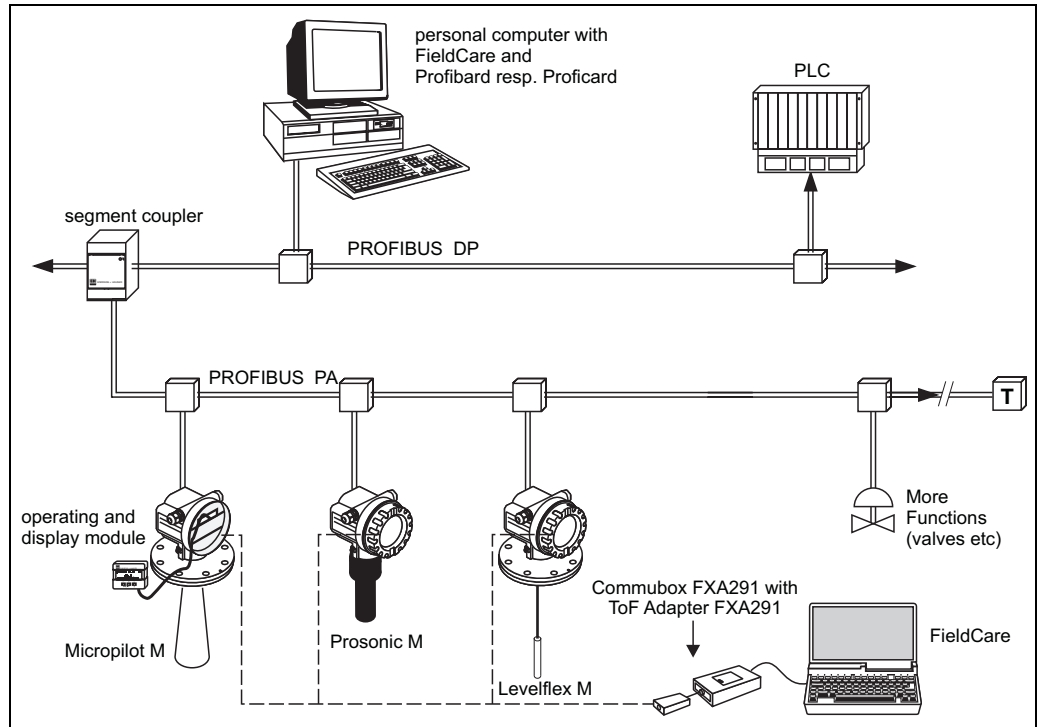
Error messages appear as four lines of plain text on the display. In addition, a unique error code is also output. A description of the error codes, → [79](#).

- The "**diagnostics**" (**0A**) function group can display current errors as well as the last errors that occurred.
- If several current errors occur, use  $\square$  or  $\square$  to page through the error messages.
- The last occurring error can be deleted in the "**diagnostics**" (**0A**) function group with the funktion "**clear last error**" (**0A2**).



## 5.5 PROFIBUS PA communication

### 5.5.1 Synopsis



L00-FMR2xxxx-14-00-06-en-002

A maximum of 32 transmitters can be connected to the bus (only 8 in explosion hazardous areas EEx ia IIC according to the FISCO model). The bus power is supplied by the segment coupler. On-site- as well as remote operation are possible. For detailed information on the PROFIBUS-PA standard refer to Operation Instructions BA198F/00/EN and the standards EN50170/DIN19245 (PROFIBUS-PA) and EN50020 (FISCO model).

### 5.5.2 Device address

#### Selecting the device address

- Every PROFIBUS-PA device must be given an address. If the address is not set correctly, the device will not be recognised by the process control system.
- A device address may appear only once within a particular PROFIBUS-PA network, see BA198F.
- Valid device addresses are in the range 1 and 126. All devices are delivered from the factory with the software address 126.
- The default address can be used to check the function of the device and connect it to an operating PROFIBUS-PA system. Afterwards the address must be changed to allow other devices to be connected to the network.

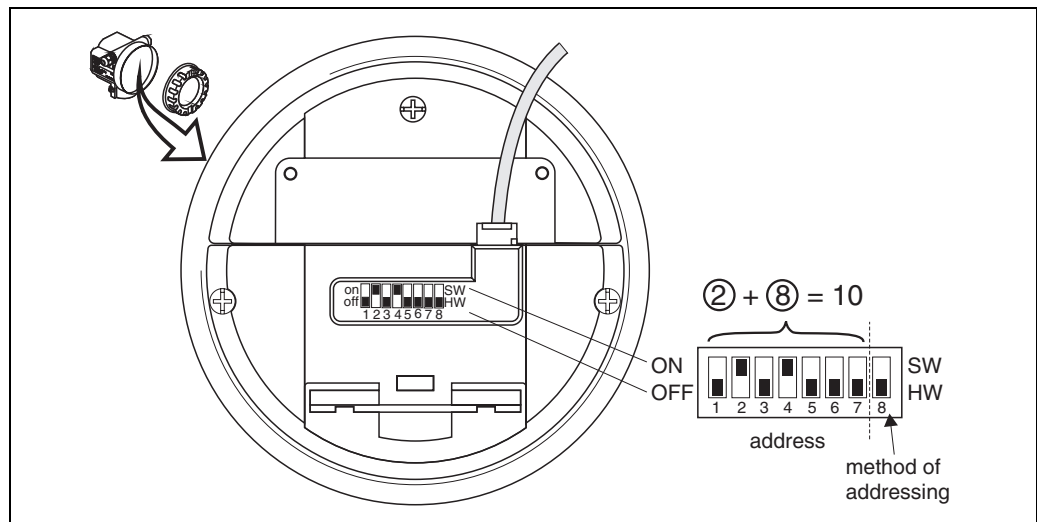
#### Software addressing

Software addressing comes into operation, when DIP-switch 8 is in the position "ON".

BA198F/00/EN, chap. 5.7 describes, how to set the address in this case.

In FieldCare, the address can be set via the **"Set address"** function in the **"Device"** menu.

#### Hardware addressing



L00-FM04xxxx-19-00-00-en-014

Hardware addressing comes into operation, when DIP switch 8 is in the position "HW (OFF)". In this case the address is determined by the position of DIP-switches 1 to 7 according to the following table:

Switch No.	1	2	3	4	5	6	7
Value in position "OFF"	0	0	0	0	0	0	0
Value in Position "ON"	1	2	4	8	16	32	64

The new address becomes valid 10 seconds after switching. It results a new device restart.

### 5.5.3 Device database and type files (GSD)

A device database file (GSD) contains a description of the properties of the PROFIBUS-PA device, e. g. the supported transmission rates and the type and format of the digital information output to the PLC.

Additional bitmap files are required in order to represent the device by an icon in the network design software.

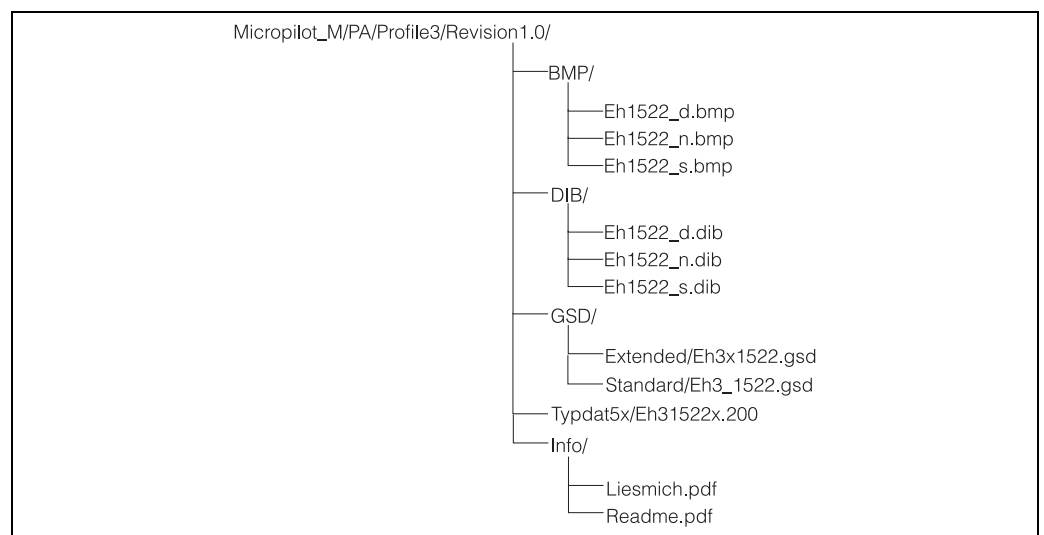
Every device is allocated an identity code by the PROFIBUS User Organisation (PNO). This appears in the device data base file name (.gsd). The Micropilot M has the ID number 0x152D (hex) = 5421 (dec).

#### Source of supply

- Internet (ftp-Server): [ftp://194.196.152.203/pub/communic/gsd/Micropilot\\_m.EXE](ftp://194.196.152.203/pub/communic/gsd/Micropilot_m.EXE)
- CD-ROM with GSD files for all Endress+Hauser devices. Order-Code: 50097200
- GSD library of the PROFIBUS User Organisation (PNO): <http://www.PROFIBUS.com>

#### Directory structure

The files are organized in the following structure:



- The GSD files in the directory "Extended" are needed for the network design software STEP 7 of the S7-300/400 PLC family.
- The GSD files in the directory "Standard" are used for PLCs, which do not support an identifier format but only an identifier byte (e. g. PLC5 of Allen-Bradley)
- For the network design tool COM ET200 with Siemens S5 instead of an GSD file the Type file "EH\_1522x.200" and instead of the BMP files the DIB files have to be used.

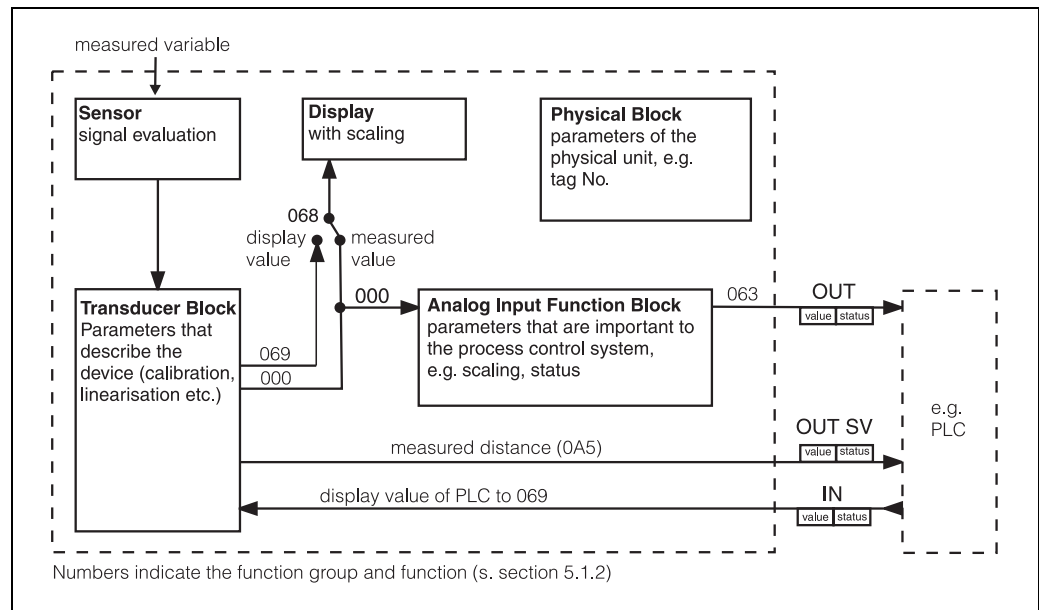
#### Universal Database File

As an alternative to the device specific GSD file, the PNO provides an universal database file with the designation PA139700.gsd for devices with one analogue input block. This file supports the transmission of the main value. Transmission of a second cyclic value or a display value is not supported.

When the universal database is used, the option "**profile**" must be selected in the function "**Ident number**" (061).

## 5.5.4 Cyclic data exchange

### Block model of the Micropilot M



The block model shows, which data are exchanged continuously (i. e. by cyclic data transfer) between the Micropilot M and the PLC. The numbers refer to the function groups and functions:

- After linearization and integration in the transducer block the **"measured value" (000)** is transmitted to the Analog-Input Block. There, it may be scaled and checked for limit transgression, and is written out over **"OUT value" (063)** to the PLC.
- The function **"select VOHO" (068)** determines whether at the display of the device in the field for the main measured value the **"measured value" (000)** or the value from the PLC **"display value" (069)** are displayed.

### Modules for the cyclic data telegram

For the cyclic data telegram the Prosonic provides the following modules:

1. **Main Process Value**  
This is the main measured value scaled by the Analog Input Block (063).
2. **2nd Cyclic Value**  
This is the measured distance between the sensor membrane and the product surface (0A5) or the measured temperature (030).
3. **Display Value**  
This is a value which can be transferred from the PLC to the Micropilot M in order to be shown on the display.
4. **FREE PLACE**  
This module must be applied during configuration (see below), if the 2nd cyclic value or the display value are not to appear in the data telegram.

### Configuration of the cyclic data telegram

Use the configuration software of your PLC in order to compose the data telegram from these modules in one of the following ways:

1. **Main value**

In order to transmit the main measured value, select the module "**Main Process Value**".

2. **Main value and second cyclic value**

In order to transmit the main value and the second cyclic value (temperature or measured distance), select the modules in the following order: "**Main Process Value**", "**2nd Cyclic Value**", "**FREE PLACE**".

3. **Main value and display value**

In order to transmit the main value and to receive a display value select the modules in the following order: "**Main Process Value**", "**FREE PLACE**", "**Display Value**".

4. **Main value, second cyclic value and display value**

In order to transmit the main value and the second cyclic value and to receive a display value, select the modules in the following order: "**Main Process Value**", "**2nd Cyclic Value**", "**Display Value**".

The exact way of performing the configuration depends on the configuration software of the PLC.

### Structure of the input data (Micropilot M → PLC)

The input data are transmitted according to the following structure:

Index Input Data	Data	Access	Format/Remarks
0, 1, 2, 3	Main value (level)	read	32 bit floating point number (IEEE-754)
4	Status code for main value	read	see "Status codes"
5, 6, 7, 8 (option)	Secondary value (measured distance)	read	32 bit floating point number (IEEE-754)
9 (option)	Status code for secondary value	read	see "Status codes"

### Structure of the output data (PLC → Micropilot M)

Die Output-Daten von der SPS für das Display am Gerät haben folgende Struktur:

Index Input Data	Data	Access	Format/Remarks
0, 1, 2, 3	Display value	write	32 bit floating point number (IEEE-754)
4	Status code for Display value	write	see "Status codes"

### IEEE-745 Floating Point Number

The measured value is transmitted as a IEEE 754 floating point number, whereby

$$\text{Measured value} = (-1)^{VZ} \times 2^{(E-127)} \times (1+F)$$

Byte 1								Byte 2							
Bit 7	Bit 6	Bit 5	Bit 4	Bit 3	Bit 2	Bit 1	Bit 0	Bit 7	Bit 6	Bit 5	Bit 4	Bit 3	Bit 2	Bit 1	Bit 0
VZ	$2^7$	$2^6$	$2^5$	$2^4$	$2^3$	$2^2$	$2^1$	$2^0$	$2^{-1}$	$2^{-2}$	$2^{-3}$	$2^{-4}$	$2^{-5}$	$2^{-6}$	$2^{-7}$
Exponent (E)								Mantisse (F)							

Byte 3								Byte 4							
Bit 7	Bit 6	Bit 5	Bit 4	Bit 3	Bit 2	Bit 1	Bit 0	Bit 7	Bit 6	Bit 5	Bit 4	Bit 3	Bit 2	Bit 1	Bit 0
$2^{-8}$	$2^{-9}$	$2^{-10}$	$2^{-11}$	$2^{-12}$	$2^{-13}$	$2^{-14}$	$2^{-15}$	$2^{-16}$	$2^{-17}$	$2^{-18}$	$2^{-19}$	$2^{-20}$	$2^{-21}$	$2^{-22}$	$2^{-23}$
Mantisse (F)															

*Example:*

$$\begin{aligned}
 40 \text{ F0 } 00 \text{ 00 (hex)} &= 0100 \text{ 0000 } 1111 \text{ 0000 } 0000 \text{ 0000 } 0000 \text{ 0000 (bin)} \\
 &= (-1)^0 \times 2^{(129-127)} \times (1 + 2^{-1} + 2^{-2} + 2^{-3}) \\
 &= 1 \times 2^2 \times (1 + 0.5 + 0.25 + 0.125) \\
 &= 1 \times 4 \times 1.875 \\
 &= 7.5
 \end{aligned}$$

### Status codes

The status codes comprise one byte and have got the following meaning:

Status-Code	Device status	Significance	Primary value	Secondary value
0C Hex	BAD	device error		X
0F Hex	BAD	device error	X	
1F Hex	BAD	out-of-service (target mode)	X	
40 Hex	UNCERTAIN	non-specific (simulation)		X
47 Hex	UNCERTAIN	last usable value (Fail-safe-Mode aktiv)	X	
4B Hex	UNCERTAIN	Substitute set (fail-Safe mode active)	X	
4F Hex	UNCERTAIN	initial value (fail-Safe mode active)	X	
5C Hex	UNCERTAIN	Configuration error (limits not set correctly)	X	
80 Hex	GOOD	OK	X	X
84 Hex	GOOD	Active block alarm (static revision counter incremented)	X	
89 Hex	GOOD	LOW_LIM (alarm active)	X	
8A Hex	GOOD	HI_LIM (alarm active)	X	
8D Hex	GOOD	LOW_LOW_LIM (alarm active)	X	
8E Hex	GOOD	HI_HI_LIM (alarm active)	X	

If a status other than "GOOD" is sent to the device, the display indicates an error.

### 5.5.5 Acyclic data exchange

Acyclic data exchange allows device parameters to be changed independently of the communication between the device and a PLC.

Acyclic data exchange is used

- to transmit device parameters during commissioning and maintenance;
- to display measured values that are not acquired in cyclic traffic.

There are two types of acyclic data exchange:

#### Acyclic communication with a Class 1 master (MS1AC)

In the case of MS1AC, a Class 1 master that is already communicating cyclically with a device opens a communication channel via SAP 0x33, a special access point for MS1AC. As is the case for a Class 2 master, the parameter is read or written via the slot and index.



Note!

- At the time of writing, there are only a few PROFIBUS masters that support this type of communication.
- Not all PROFIBUS field devices support MS1AC.



Caution!

Permanent writing of parameters, e. g. with every cycle of the application program, must be avoided, since this can drastically reduce the life of the device.

Acyclic write parameters are stored electrically in the RAM (EEPROM, Flash...). The RAM modules are design for a limited number of write operations only. In standard operation without MS1AC, i. e. during parametrisation of the device, the number of write operations is negligible when compared to the limit. If the application program is badly designed, however, this limit can be reached quickly, and the RAM will fail

#### Acyclic communication with a Class 2 master (MS2AC)

In the case of MS2AC, a Class 2 master opens a communication channel via a so-called service access point (SAP) in order to access the device. Class 2 masters are for example:

- FieldCare
- PDM

Before data can be exchanged via PROFIBUS, however, the Class 2 master must be made aware of the parameters contained within the field device. This can be done by:

- a device description (DD)
- a device type manager (DTM)
- a software component within the master, which accesses the parameters via slot and index addresses.



Note!

- The DD or DTM is supplied by the device manufacturer.
- The number of Class 2 masters that can simultaneously access a device, is determined by the number of SAPs that the device can provide.
- The use of a Class 2 master increases the cycle time of the bus system. This must be taken into consideration when the control system or PLC is programmed.

The device Micropilot M supports MS2AC communication with two SAPs.

The device Micropilot M does not support MS1AC communication.

### 5.5.6 Slot/index tables

The device parameters are listed in the following tables. The parameters are accessed via the slot and index number. The Analog-Input and physical blocks contain standard parameters, block parameters and manufacturer-specific parameters. The transducer block of the Micropilot M is Endress+Hauser specific.

The parameters of the Analog-Input block are not available when operating via the display or via FieldCare.

#### Device Management

Parameter	Endress+Hauser Matrix (CW II)	Slot	Index	Size [bytes]	Type	Read	Write	Storage Class
Directory object header		1	0	12	Array of UNSIGNED16	X		constant
Composite list directory entries		1	1	24	Array of UNSIGNED16	X		constant
GAP Directory continuous		1	2-8					
GAP reserved		1	9-15					

#### Analog-Input-Block

Parameter	Endress+Hauser Matrix (CW II)	Slot	Index	Size [bytes]	Type	Read	Write	Storage Class
<b>Standard parameters</b>								
Block Data		1	16	20	DS-32*	X		constant
Static revision		1	17	2	UNSIGNED16	X		non-vol.
Device tag		1	18	32	OSTRING	X	X	static
Strategy		1	19	2	UNSIGNED16	X	X	static
Alert key		1	20	1	UNSIGNED8	X	X	static
Target Mode		1	21	1	UNSIGNED8	X	X	static
Mode		1	22	3		X		dynamic non-vol. constant
Alarm summary		1	23	8		X		dynamic
Batch		1	24	10		X	X	static
Gap		1	25					
<b>Block parameters</b>								
Out	V6H2 (Wert) V6H3 (Status)	1	26	5	DS-33*	X		dynamic
PV Scale	V0H5 V0H6	1	27	8	Array of FLOAT	X	X	static
Out Scale		1	28	11	DS-36*	X	X	static
Linearisation type		1	29	1	UNSIGNED8	X	X	static
Channel		1	30	2	UNSIGNED16	X	X	static
Gap		1	31					
PV fail safe time		1	32	4	FLOAT	X		non-vol.
Fail safe type		1	33	1	UNSIGNED8	X	X	static
Fail safe value		1	34	4	FLOAT	X	X	static
Alarm Hysteresis		1	35	4	FLOAT	X	X	static



Parameter	Endress+Hauser Matrix (CW II)	Slot	Index	Size [bytes]	Type	Read	Write	Storage Class
Gap		1	36					
HI HI Limit		1	37	4	FLOAT	X	X	static
Gap		1	38					
HI Limit		1	39	4	FLOAT	X	X	static
Gap		1	40					
LO Limit		1	41	4	FLOAT	X	X	static
Gap		1	42					
LO LO Limit		1	43	4	FLOAT	X	X	static
Gap		1	44-45					
HI HI Alarm		1	46	16	DS-39*	X		dynamic
HI Alarm		1	47	16	DS-39*	X		dynamic
LO Alarm		1	48	16	DS-39*	X		dynamic
LO LO Alarm		1	49	16	DS-39*	X		dynamic
Simulate		1	50	6	DS-51*	X	X	non-vol.
Out unit text		1	51	16	OSTRING	X	X	static
Gap reserved		1	52-60					
Out unit text		1	61	16	OSTRING	X	X	static
Gap		1	62-64					

### Physical Block

Parameter	Endress+Hauser Matrix (CW II)	Slot	Index	Size [bytes]	Type	Read	Write	Storage Class
<b>Standard parameters</b>								
Block Data		1	65	20	DS-32*	X		constant
Static revision		1	66	2	UNSIGNED16	X		non-vol.
Device tag	VAH0	1	67	32	OSTRING	X	X	static
Strategy		1	68	2	UNSIGNED16	X	X	static
Alert key		1	69	1	UNSIGNED8	X	X	static
Target mode		1	70	1	UNSIGNED8	X	X	static
Mode		1	71	3		X		dynamic non-vol. constant
Alarm summary		1	72	8		X		dynamic
<b>Block parameters</b>								
Software revision		1	73	16	OSTRING	X		constant
Hardware revision		1	74	16	OSTRING	X		constant
Device manufacturer ID		1	75	2	UNSIGNED16	X		constant
Device ID		1	76	16	OSTRING	X		constant
Device serial number		1	77	16	OSTRING	X		constant
Diagnosis		1	78	4	OSTRING	X		dynamic
Diagnosis extension		1	79	6	OSTRING	X		dynamic
Diagnosis mask		1	80	4	OSTRING	X		constant

Parameter	Endress+Hauser Matrix (CW II)	Slot	Index	Size [bytes]	Type	Read	Write	Storage Class
Diagnosis mask ext.		1	81	6	OSTRING	X		constant
Device certification		1	82	32	OSTRING	X	X	constant
Security locking	V9H9	1	83	2	UNSIGNED16	X	X	non-vol.
Factory reset	V9H5	1	84	2	UNSIGNED16		X	non-vol.
Descriptor		1	85	32	OSTRING	X	X	static
Device message		1	86	32	OSTRING	X	X	static
Device instal. date		1	87	8	OSTRING	X	X	static
Gap reserved		1	88					
Ident number select	V6H0	1	89	1	UNSIGNED8	X	X	static
HW write protection		1	90	1	UNSIGNED8	X	X	dynamic
Gap reserved		1	91-97					
Gap		1	98-102					
<b>Endress+Hauser-Parameters</b>								
error code	V9H0	1	103	2	UNSIGNED16	X		dynamic
last error code	V9H1	1	104	2	UNSIGNED16	X	X	dynamic
Up Down features		1	105	1	OSTRING	X		constant
Up Down control		1	106	1	UNSIGNED8		X	dynamic
Up Down param		1	107	20	OSTRING	X	X	dynamic
Bus address	V9H4	1	108	1	UNSIGNED8	X		dynamic
Device SW No.	V9H3	1	109	2	UNSIGNED16	X		dynamic
set unit to bus	V6H1	1	110	1	UNSIGNED8	X	X	static
input value	V6H6	1	111	6	FLOAT+U8+U8	X		dynamic
Select Main value	V6H5	1	112	1	UNSIGNED8	X	X	dynamic
PA profile revision	V6H7	1	113	16	OSTRING	X		constant
Gap		1	114-118					
Gap reserved		1	119-125					
Phys. Block View 1		1	126	17	OSTRING	X		dynamic
Gap		1	127-129					

**Endress+Hauser specific level transducer block**

Parameter	Endress+Hauser Matrix (CW II)	Slot	Index	Size [bytes]	Type	Read	Write	Storage Class
<b>Standard parameters</b>								
Block data		1	130	20	DS-32*	X		constant
Static revision		1	131	2	UNSIGNED16	X		non-vol.
Device tag		1	132	32	OSTRING	X	X	static
Strategy		1	133	2	UNSIGNED16	X	X	static
Alert key		1	134	1	UNSIGNED8	X	X	static
Target mode		1	135	1	UNSIGNED8	X	X	static
Mode		1	136	3	DS-37*	X		dynamic non-vol. static
Alarm summary		1	137	8	DS-42*	X		dynamic
<b>Endress+Hauser-Parameters</b>								
Measured value	V0H0	1	138	4	FLOAT	X		dynamic
gap			139					
tank shape	V0H2	1	140	1	UNSIGNED8	X	X	static
medium cond.	V0H3	1	141	1	UNSIGNED8	X	X	static
process cond.	V0H4	1	142	1	UNSIGNED8	X	X	static
empty calibration	V0H5	1	143	4	FLOAT	X	X	static
full calibration	V0H6	1	144	4	FLOAT	X	X	static
pipe diameter	V0H7	1	145	4	FLOAT	X	X	static
gap			146-147					
output on alarm	V1H0	1	148	1	UNSIGNED8	X	X	static
gap			149					
outp. echo loss	V1H2	1	150	1	UNSIGNED8	X	X	static
ramp %span/min	V1H3	1	151	4	FLOAT	X	X	static
delay time	V1H4	1	152	2	UNSIGNED16	X	X	static
safety distance	V1H5	1	153	4	FLOAT	X	X	static
in safety dist.	V1H6	1	154	1	UNSIGNED8	X	X	static
ackn. alarm	V1H7	1	155	1	UNSIGNED8	X	X	static
overspill protection	V1H8	1	156	1	UNSIGNED8	X	X	static
gap			157-167					
level/ullage	V3H0	1	168	1	UNSIGNED8	X	X	static
linearisation	V3H1	1	169	1	UNSIGNED8	X	X	static
customer unit	V3H2	1	170	2	UNSIGNED16	X	X	static
table no.	V3H3	1	171	1	UNSIGNED8	X	X	static
gap			172					
input volume	V3H5	1	173	4	FLOAT	X	X	static
max. scale	V3H6	1	174	4	FLOAT	X	X	static
diameter vessel	V3H7	1	175	4	FLOAT	X	X	static
check distance	V4H1	1	179	1	UNSIGNED8	X	X	static
range of mapping	V4H2	1	180	4	FLOAT	X	X	static
start mapping	V4H3	1	181	1	UNSIGNED8	X	X	static

Parameter	Endress+Hauser Matrix (CW II)	Slot	Index	Size [bytes]	Type	Read	Write	Storage Class
pres. map. dist.	V4H4	1	182	4	FLOAT	X		dynamic
cust. Tank map	V4H5	1	183	1	UNSIGNED8	X	X	static
echo quality	V4H6	1	184	1	UNSIGNED8	X		dynamic
offset	V4H7	1	185	4	FLOAT	X	X	static
output damping	V4H8	1	186	4	FLOAT	X	X	static
blocking dist.	V4H9	1	187	4	FLOAT	X	X	static
instrument_addr.	V5H0	1	188	1	UNSIGNED8	X		dynamic
ident number	V5H1	1	189	1	UNSIGNED8	X	X	static
set unit to bus	V5H2	1	190	1	UNSIGNED8	X	X	static
out value	V5H3	1	191	4	FLOAT	X		dynamic
out status	V5H4	1	192	1	UNSIGNED8	X		dynamic
simulation	V5H5	1	193	1	UNSIGNED8	X		static
gap			194					
2nd cyclic value	V5H7	1	195	1	UNSIGNED8	X	X	static
select VOHO	V5H8	1	196	1	UNSIGNED8	X	X	static
input value	V5H9	1	197	4	FLOAT	X		dynamic
gap			198					
display contrast	V6H1	1	199	1	UNSIGNED8	X	X	static
language	V6H2	1	200	1	UNSIGNED8	X	X	static
back to home	V6H3	1	201			X	X	static
format display	V6H4	1	202	1	UNSIGNED8	X	X	static
no. decimals	V6H5	1	203	1	UNSIGNED8	X	X	static
sep. character	V6H6	1	204	1	UNSIGNED8	X	X	static
display test	V6H7	1	205	1	UNSIGNED8	X	X	static
gap			206-227					
present error	V9H0	1	228		STRUCT	X		dynamic
previous error	V9H1	1	229		STRUCT	X		dynamic
clear last error	V9H2	1	230	1	UNSIGNED8	X	X	static
reset	V9H3	1	231	2	UNSIGNED16	X	X	static
unlock parameter	V9H4	1	232	2	UNSIGNED16	X	X	static
measured dist.	V9H5	1	233	4	FLOAT	X		dynamic
measured level	V9H6	1	234	4	FLOAT	X		dynamic
gap			235					
application par.	V9H8	1	236	1	UNSIGNED8	X		dynamic
gap			237					
tag no.	VAH0	1	238		STRING	X		const
profile version	VAH1	1	239		STRING	X	X	static
protocol+sw-no.	VAH2	1	240		STRING	X		const
gap			241					
serial no.	VAH4	1	242		STRING	X	X	static
distance unit	VAH5	1	243	2	UNSIGNED16	X	X	static
gap			244-245					
download mode	VAH8	1	246	1	UNSIGNED8	X	X	static

Parameter	Endress+Hauser Matrix (CW II)	Slot	Index	Size [bytes]	Type	Read	Write	Storage Class
antenna ext.	VAH9		247	4	FLOAT	X	X	static
input level semi auto	V3H4	1	248	4	FLOAT	X		dynamic
input level manual	V3H4	1	249	4	FLOAT	X	X	static
simulation level	V3H6	1	250	4	FLOAT	X	X	static
simulation volume	V3H6	1	251	4	FLOAT	X	X	static
TB view_1		1	252	22	OSTRING	X		dynamic

### Data strings

In der Slot/Index table some data types, e.g. DS-33 are marked by an asterisk. These are data strings according to the PROFIBUS-PA specifications part 1, Version 3.0. They contain several elements, which are addressed by an additional subindex. The following table gives an example.

Data type	Subindex	Typ	Size [bytes]
DS-33	1	FLOAT	4
	5	UNSIGNED8	1

### 5.5.7 Endress+Hauser operating program

The operating program FieldCare is an Endress+Hauser Plant Asset Management Tool based on FDT technology. You can use FieldCare to configure all your Endress+Hauser devices, as well as devices from other manufacturers that support the FDT standard. Hardware and software requirements you can find on the internet:

www.endress.com → select your country → search: FieldCare → FieldCare → Technical Data.

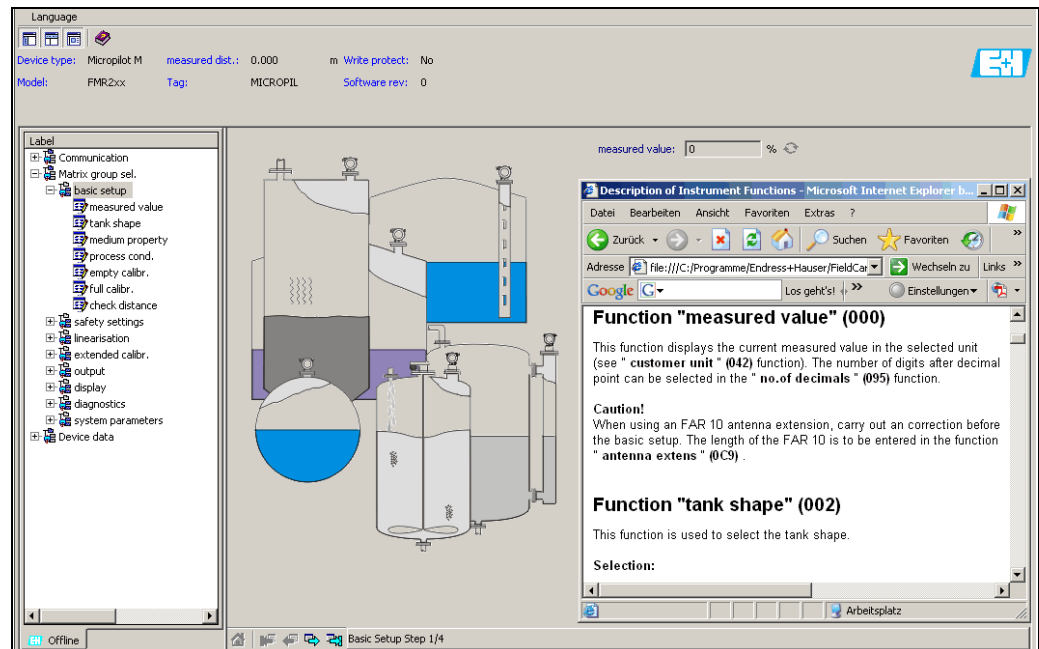
FieldCare supports the following functions:

- Configuration of transmitters in online operation
- Singal analysis via envelope curve
- Tank linearisation
- Loading and saving device data (upload/download)
- Documentation of the measuring point

Connection options:

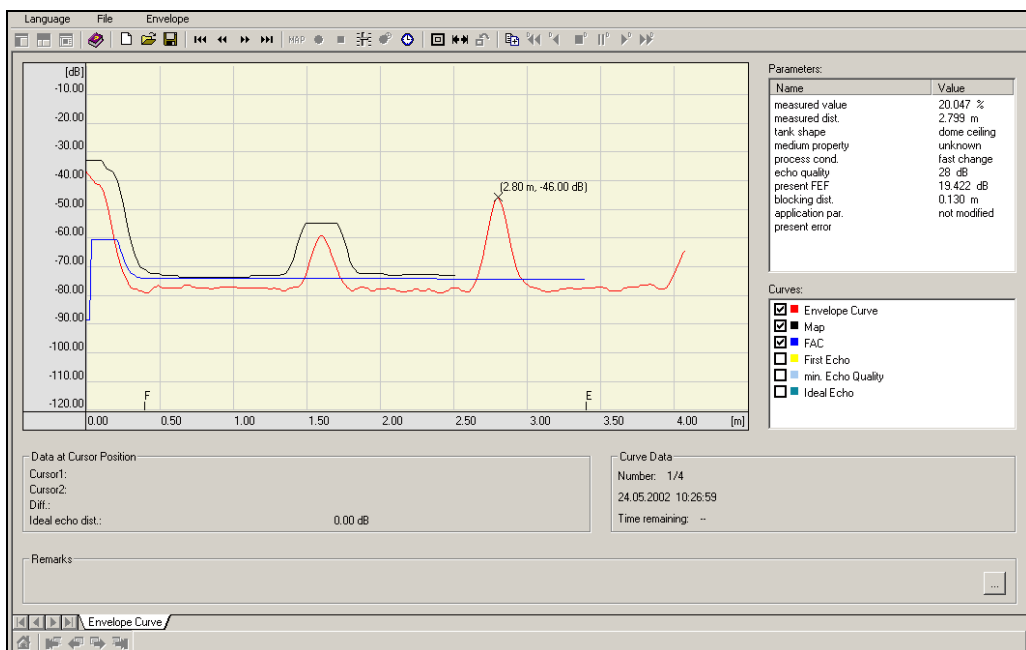
- PROFIBUS PA via segment coupler and PROFIBUS interface card
- Commubox FXA291 with ToF Adapter FXA291 (USB) via service interface

#### Menu-guided commissioning



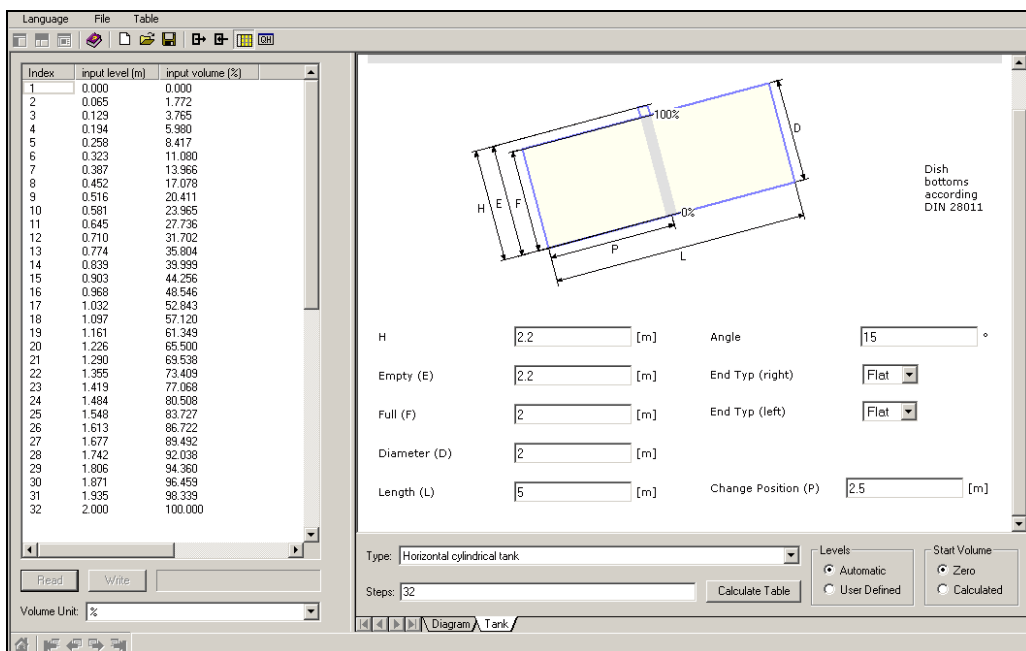
MicropilotM-es-305

### Signal analysis via envelope curve



MicropilotM-en-300

### Tank linearisation



MicropilotM-en-307

## 6 Commissioning

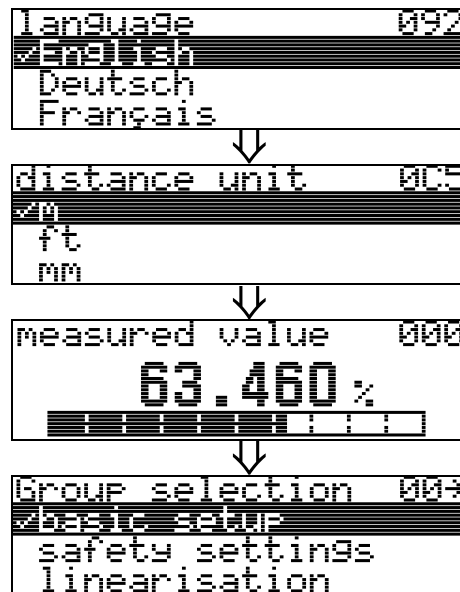
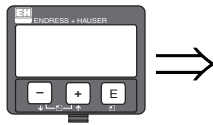
### 6.1 Function check

Make sure that all final checks have been completed before you start up your measuring point:

- Checklist "Post installation check", → [26](#).
- Checklist "Post connection check", → [31](#).

### 6.2 Switching on the measuring device

When the instrument is switched on for the first time, the following messages appear in a sequence of 5 s on the display: software version, communication protocol and language selection:



Select the language (this message appears the first time the instrument is switched on)

Select the basic unit (this message appears the first time the instrument is switched on)

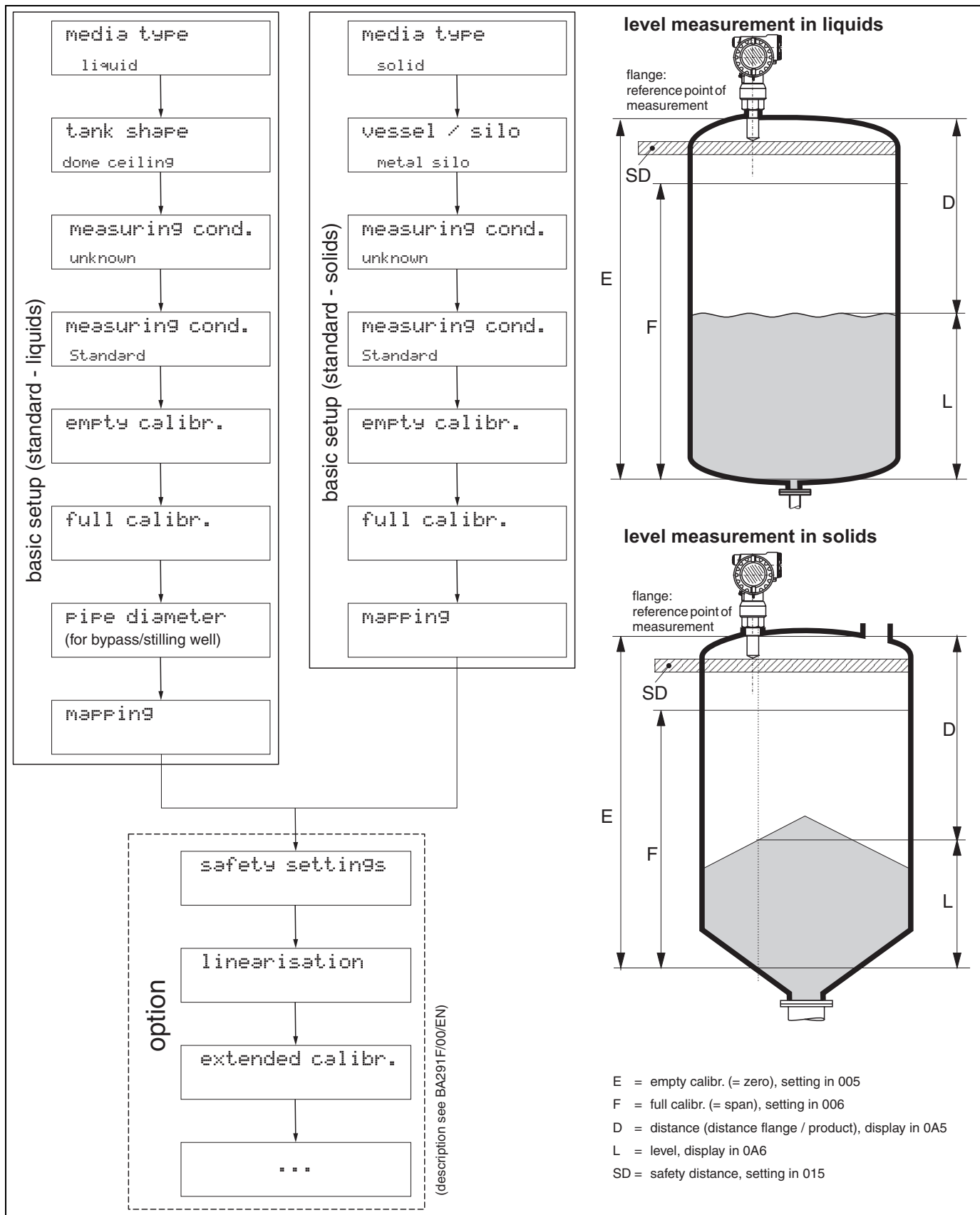
The current measured value is displayed

After **E** is pressed, you reach the group selection

This selection enables you to perform the basic setup



### 6.3 Basic Setup



L00-FMR244zx-19-00-00-en-001

**Caution!**

The basic setup is sufficient for successful commissioning in most applications. Complex measuring operations necessitate additional functions that the user can use to customise the Micropilot as necessary to suit his specific requirements. The functions available to do this are described in detail in the BA00291F/00/EN.

Comply with the following instructions when configuring the functions in the "**basic setup**" (00):

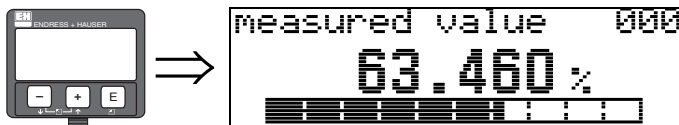
- Select the functions as described, → 32.
- Some functions can only be used depending on the parameterisation of the instrument. For example, the pipe diameter of a stilling well can only be entered if "**stilling well**" was selected beforehand in the "**tank shape**" (002) function.
- Certain functions (e.g. starting an interference echo mapping (053)) prompt you to confirm your data entries. Press or to select "**YES**" and press to confirm. The function is now started.
- If you do not press a key during a configurable time period (→ function group "**display**" (09)), an automatic return is made to the home position (measured value display).

**Note!**

- The instrument continues to measure while data entry is in progress, i.e. the current measured values are output via the signal outputs in the normal way.
- If the envelope curve mode is active on the display, the measured values are updated in a slower cycle time. Thus, it is advisable to leave the envelope curve mode after the measuring point has been optimised.
- If the power supply fails, all preset and parameterised values remain safely stored in the EEPROM.
- All functions are described in detail, as is the overview of the operating menu itself, in the manual "**BA00291F - Description of Instrument Functions**", which is found on the enclosed CD-ROM.
- The default values of the parameters are typed in **boldface**.

## 6.4 Basic Setup with the device display

### Function "measured value" (000)

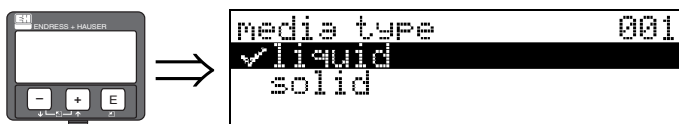


This function displays the current measured value in the selected unit (see "customer unit" (042) function). The number of digits after decimal point can be selected in the "no. of decimals" (095) function.

### 6.4.1 Function group "basic setup" (00)



### Function "media type" (001)



This function is used to select the media type.

**Selection:**

- liquid
- solid

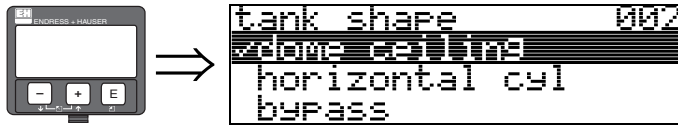
**With the selection "liquid" only the following functions can be adjusted:**

- tank shape 002
- medium property 003
- process cond. 004
- empty calibr. 005
- full calibr. 006
- pipe diameter 007
- check distance 051
- range of mapping 052
- start mapping 053
- ...

**With the selection "solids" only the following functions can be adjusted:**

- vessel / silo 00A
- medium property 00B
- process cond. 00C
- empty calibr. 005
- full calibr. 006
- check distance 051
- range of mapping 052
- start mapping 053
- ...

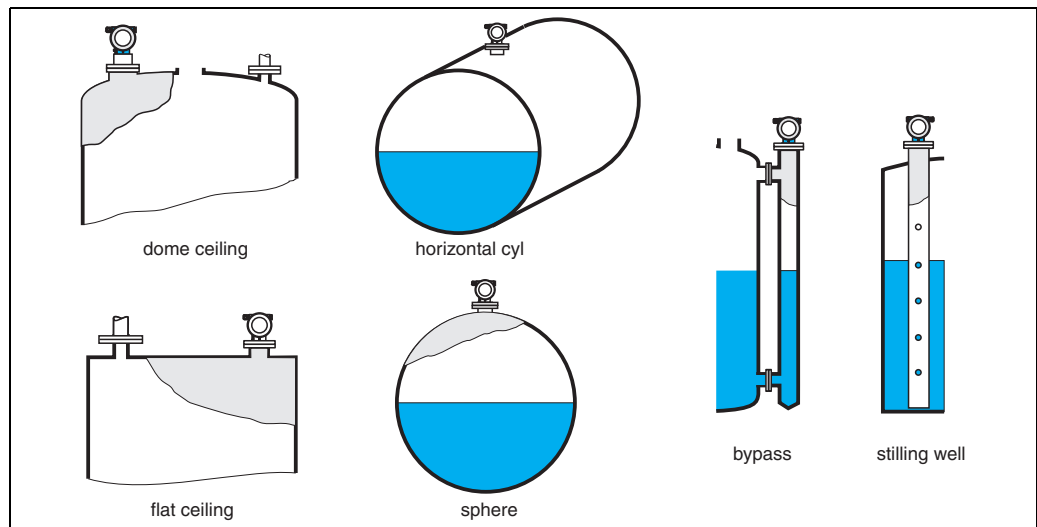
**Function "tank shape" (002), liquids only**



This function is used to select the tank shape.

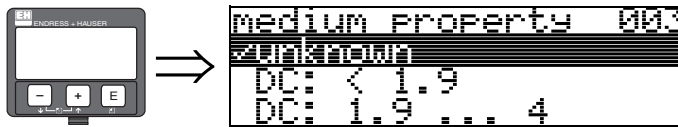
**Selection:**

- dome ceiling
- horizontal cyl
- bypass
- stilling well
- flat ceiling
- sphere



L00-FMR2xxxx-14-00-06-en-007

**Function "medium property" (003), liquids only**



This function is used to select the dielectric constant.

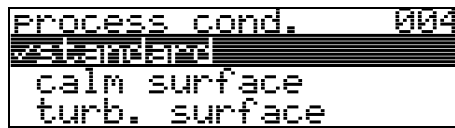
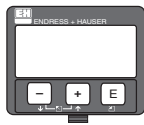
**Selection:**

- unknown
- DC: < 1.9
- DC: 1.9 ... 4
- DC: 4 ... 10
- DC: > 10

Product class	DC ( $\epsilon_r$ )	Examples
A	1.4 to 1.9	non-conducting liquids, e. g. liquefied gas <sup>1)</sup>
B	1.9 to 4	non-conducting liquids, e. g. benzene, oil, toluene, ...
C	4 to 10	e. g. concentrated acids, organic solvents, esters, aniline, alcohol, acetone, ...
D	>10	conducting liquids, e. g. aqueous solutions, dilute acids and alkalis

1) Treat Ammonia NH<sub>3</sub> as a medium of group A, i. e. use FMR230 in a stilling well.


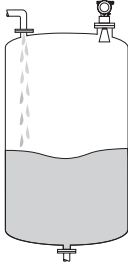
**Function "process cond." (004) , liquids only**

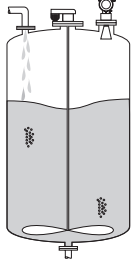
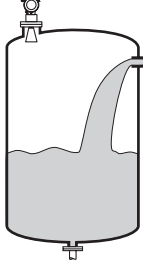


This function is used to select the process conditions.

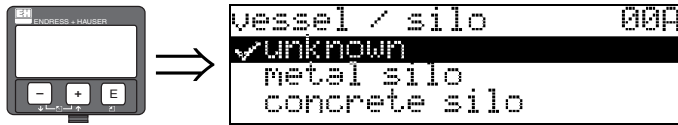
**Selection:**

- **standard**
- calm surface
- turb. surface
- agitator
- fast change
- test:no filter

standard	calm surface	turb. surface
For all applications that do not fit into any of the following groups.	Storage tanks with immersion tube or bottom filling.	Storage / buffer tanks with rough surface due to free filling or mixer nozzles.
		
The filter and output damping are set to average values.	The averaging filters and output damping are set to high values. → steady meas. value → precise measurement → slower reaction time	Special filters to smooth the input signals are emphasised. → smoothed meas. value → medium fast reaction time

agitator	fast change	test:no filter
Agitated surfaces (with possible vortex) due to agitators.	Rapid change of level, particularly in small tanks.	All filters can be switched off for service / diagnostic purposes.
		
Special filters to smooth the input signals are set to high values. → smoothed meas. value → medium fast reaction time → minimization of effects by agitator blades.	The averaging filters are set to low values. The output damping is set to 0. → rapid reaction time → possibly unsteady meas. value	All filters off.

### Function "vessel / silo" (00A), solids only

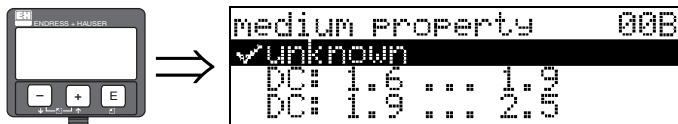


This function is used to select the vessel / silo.

#### Selection:

- unknown
- metal silo
- concrete silo
- bin / bunker
- dome
- stockpile
- conveyor belt

### Function "medium property" (00B), solids only



This function is used to select the dielectric constant.

#### Selection:

- unknown
- DC: 1.6 ... 1.9
- DC: 1.9 ... 2.5
- DC: 2.5 ... 4
- DC: 4 ... 7
- DC: > 7

Media group	DC ( $\epsilon_r$ )	Examples
A	1.6 to 1.9	<ul style="list-style-type: none"> <li>- Plastic granulate</li> <li>- White lime, special cement</li> <li>- Sugar</li> </ul>
B	1.9 to 2.5	<ul style="list-style-type: none"> <li>- Portland cement, plaster</li> </ul>
C	2.5 to 4	<ul style="list-style-type: none"> <li>- Grain, seeds</li> <li>- Ground stones</li> <li>- Sand</li> </ul>
D	4 to 7	<ul style="list-style-type: none"> <li>- Naturally moist (ground) stones, ores</li> <li>- Salt</li> </ul>
E	> 7	<ul style="list-style-type: none"> <li>- Metallic powder</li> <li>- Carbon black</li> <li>- Coal</li> </ul>

The respective lower group applies for very loose or loosened bulk solids.

**Function "process cond." (00C), solids only**



This function is used to select the process conditions.

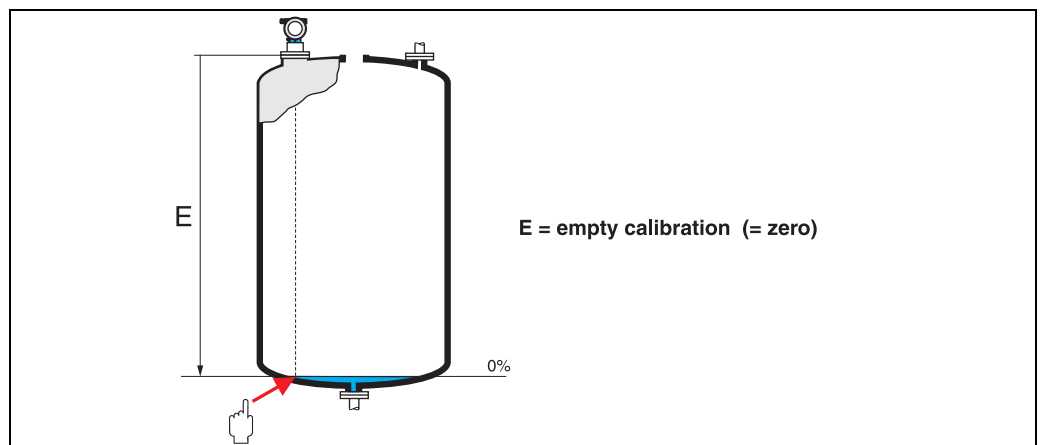
**Selection:**

- standard
- fast change
- slow change
- test:no filter

**Function "empty calibr." (005)**



This function is used to enter the distance from the flange (reference point of the measurement) to the minimum level (=zero).



L00-FMR2xxxx-14-00-06-en-008



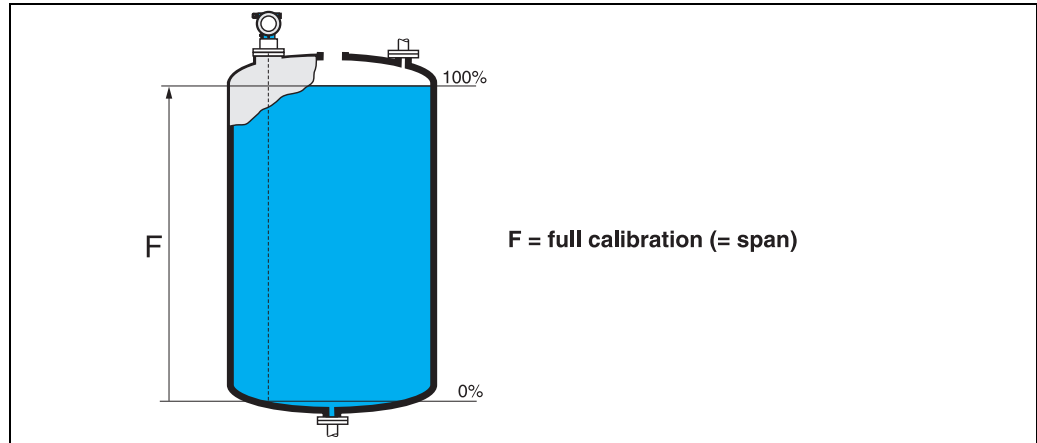
**Caution!**

For dish bottoms or conical outlets, the zero point should be no lower than the point at which the radar beam hits the bottom of the tank.

**Function "full calibr." (006)**



This function is used to enter the distance from the minimum level to the maximum level (=span).



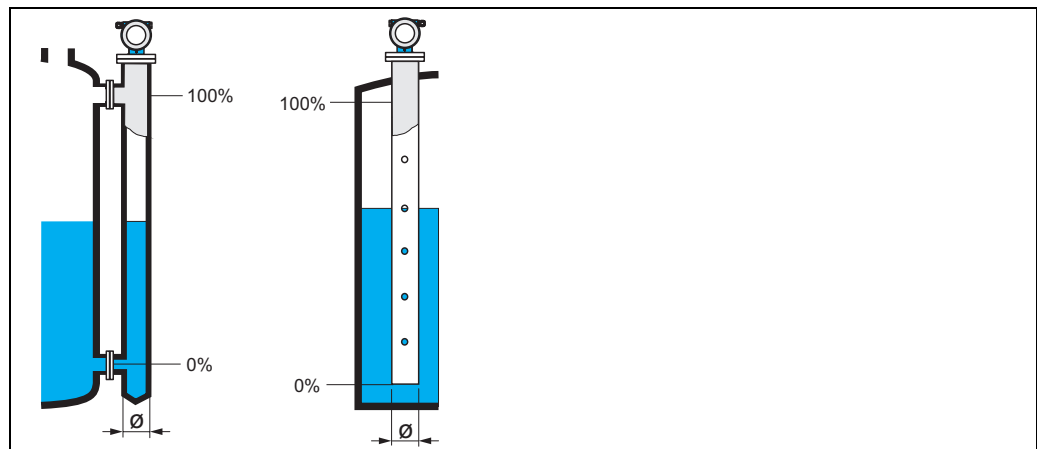
Note!

- If **bypass** or **stilling well** was selected in the "tank shape" (002) function, the pipe diameter is requested in the following step.
- For FMR244, the end of measuring range should not be chosen closer than 150 mm (5.91 in) to the tip of the antenna, especially if there is development of condensate.

**Function "pipe diameter" (007)**



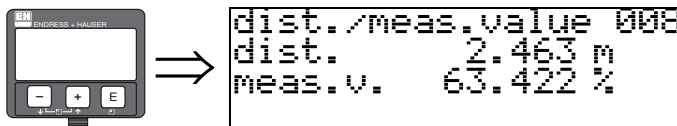
This function is used to enter the pipe diameter of the stilling well or bypass pipe.



Microwaves propagate more slowly in pipes than in free space. This effect depends on the inside diameter of the pipe and is automatically taken into account by the Micropilot. It is only necessary to enter the pipe diameter for applications in a bypass or stilling well.



**Function "dist./meas.value" (008)**



The **distance** measured from the reference point to the product surface and the **level** calculated with the aid of the empty adjustment are displayed. Check whether the values correspond to the actual level or the actual distance. The following cases can occur:

- Distance correct – level correct → continue with the next function, "**check distance**" (051)
- Distance correct – level incorrect → Check "**empty calibr.**" (005)
- Distance incorrect – level incorrect → continue with the next function, "**check distance**" (051)

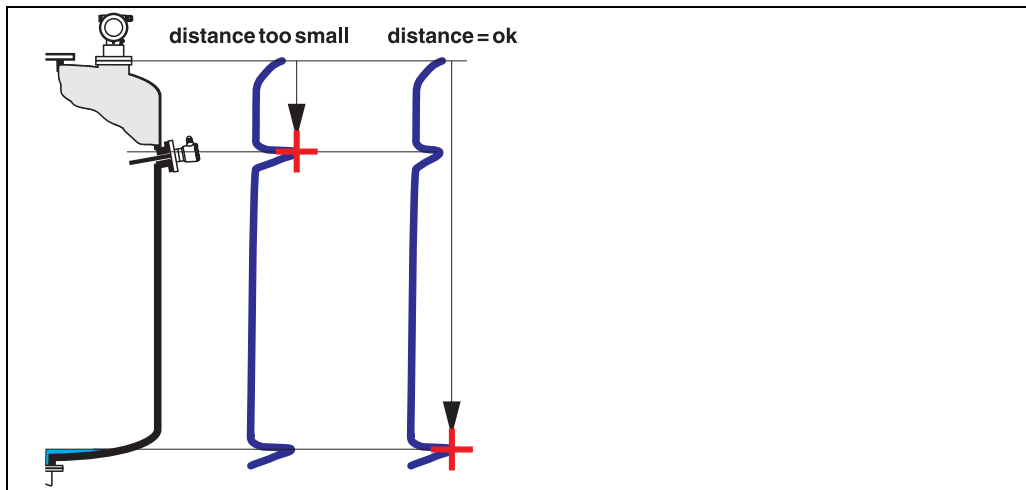
**Function "check distance" (051)**



This function triggers the mapping of interference echoes. To do so, the measured distance must be compared with the actual distance to the product surface. The following options are available for selection:

**Selection:**

- distance = ok
- dist. too small
- dist. too big
- **dist. unknown**
- manual



L00\_FMR2xxxxx-14-00-06-en-010

**distance = ok**

- mapping is carried out up to the currently measured echo
- The range to be suppressed is suggested in the "**range of mapping**" (052) function

Anyway, it is wise to carry out a mapping even in this case.

**dist. too small**

- At the moment, an interference is being evaluated
- Therefore, a mapping is carried out including the presently measured echoes
- The range to be suppressed is suggested in the "**range of mapping**" (052) function

**dist. too big**

- This error cannot be remedied by interference echo mapping
- Check the application parameters (002), (003), (004) and "empty calibr." (005)

**dist. unknown**

If the actual distance is not known, no mapping can be carried out.

**manual**

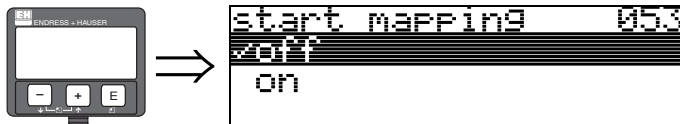
A mapping is also possible by manual entry of the range to be suppressed. This entry is made in the "range of mapping" (052) function.

**Caution!**

The range of mapping must end 0,5 m (1.6 ft) before the echo of the actual level. For an empty tank, do not enter E, but E – 0,5 m (1.6 ft). If a mapping already exists, it is overwritten up to the distance specified in "range of mapping" (052). Beyond this value the existing mapping remains unchanged.

**Function "range of mapping" (052)**

This function displays the suggested range of mapping. The reference point is always the reference point of the measurement (→ 57). This value can be edited by the operator. For manual mapping, the default value is 0 m.

**Function "start mapping" (053)**

This function is used to start the interference echo mapping up to the distance given in "range of mapping" (052).

**Selection:**

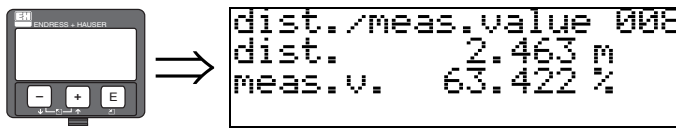
- off → no mapping is carried out
- on → mapping is started

During the mapping process the message "record mapping" is displayed.

**Caution!**

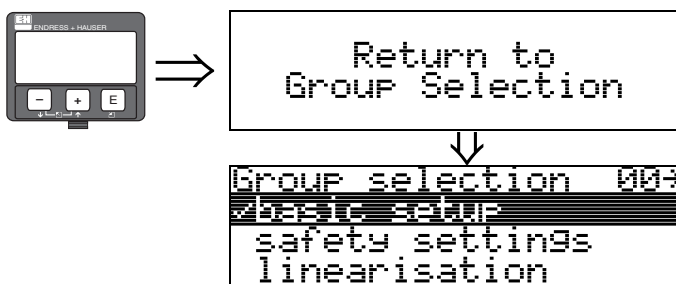
A mapping will be recorded only, if the device is not in alarm-state.

Function "dist./meas.value" (008)



The **distance** measured from the reference point to the product surface and the **level** calculated with the aid of the empty adjustment are displayed. Check whether the values correspond to the actual level or the actual distance. The following cases can occur:

- Distance correct – level correct → continue with the next function, "**check distance**" (051)
- Distance correct – level incorrect → Check "**empty calibr.**" (005)
- Distance incorrect – level incorrect → continue with the next function, "**check distance**" (051)

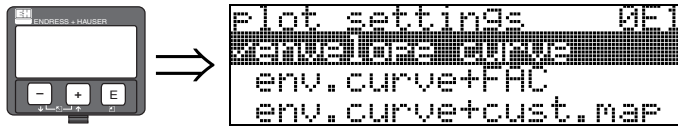


After 3 s, the following message appears

## 6.4.2 Envelope curve with device display

After the basic setup, an evaluation of the measurement with the aid of the envelope curve ("envelope curve" (OE) function group) is recommended.

### Function "plot settings" (OE1)



Select which information will be displayed in the LCD:

- **envelope curve**
- env.curve+FAC (on FAC see BA00291F/00/EN)
- env.curve+cust.map (i. e. customer tank map is also displayed)

### Function "recording curve" (OE2)

This function defines whether the envelope curve is read as a

- **single curve**
- or
- **cyclic.**



Note!

- If the cyclical envelope curve is active in the display, the measured value is refreshed in a slower cycle time. It is therefore recommended to exit the envelope curve display after optimising the measuring point.
- An **orientation** of the Micropilot can help to optimise measurement in applications with very weak level echos or strong interference echos by increasing the useful echo/reducing the interference echo ("Orientation of the Micropilot", → 84).

### Function "envelope curve display" (0E3)

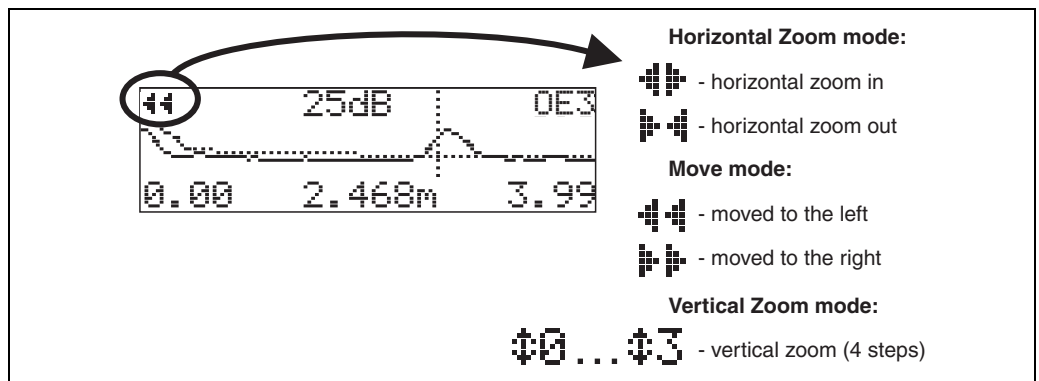
The envelope curve is displayed in this function. You can use it to obtain the following information:



L00-FM14xxxx-07-00-00-en-003

### Navigating in the envelope curve display

Using navigation, the envelope curve can be scaled horizontally and vertically and shifted to the left or the right. The active navigation mode is indicated by a symbol in the top left hand corner of the display.

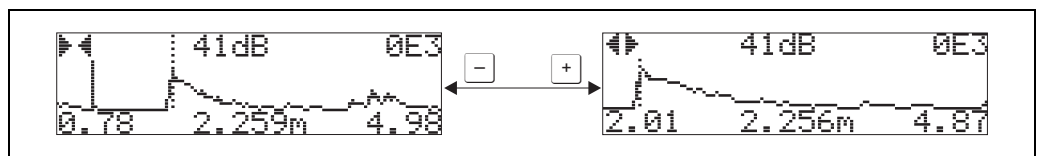


L00-FMxxxxxx-07-00-00-en-004

### Horizontal Zoom mode

Firstly, go into the envelope curve display. Then press  $\boxed{+}$  or  $\boxed{-}$  to switch to the envelope curve navigation. You are then in Horizontal Zoom mode. Either  $\leftarrow$  or  $\rightarrow$  is displayed.

- $\boxed{+}$  increases the horizontal scale.
- $\boxed{-}$  reduces the horizontal scale.

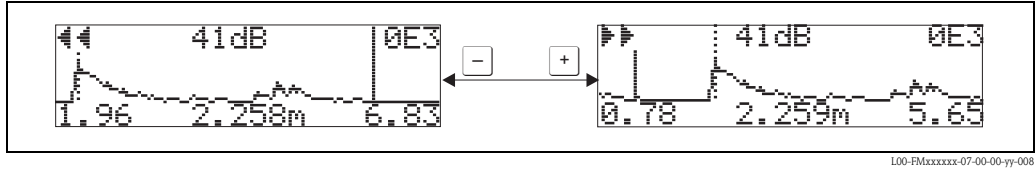


L00-FMxxxxxx-07-00-00-yy-007

**Move mode**

Then press **[E]** to switch to Move mode. Either **←←** or **→→** is displayed.

- **[+]** shifts the curve to the right.
- **[-]** shifts the curve to the left.



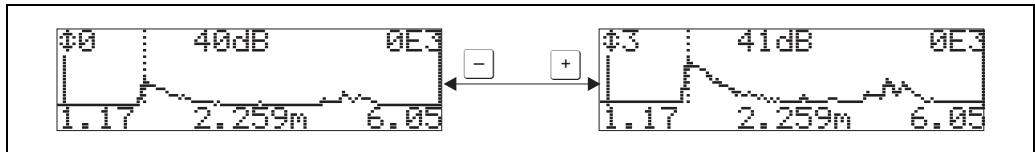
L00-FMxxxxxx-07-00-00-yy-008

**Vertical Zoom mode**

Press **[E]** once more to switch to Vertical Zoom mode. **⊕1** is displayed. You now have the following options.

- **[+]** increases the vertical scale.
- **[-]** reduces the vertical scale.

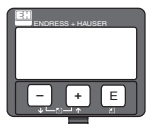
The display icon shows the current zoom factor (**⊕0** to **⊕3**).



L00-FMxxxxxx-07-00-00-yy-009

**Exiting the navigation**

- Press **[E]** again to run through the different modes of the envelope curve navigation.
- Press **[+]** and **[-]** to exit the navigation. The set increases and shifts are retained. Only when you reactivate the "recording curve" (**0E2**) function does the Micropilot use the standard display again.



Return to  
Group Selection



```
Group selection 0E3
XXXXXXXXXXXXXXXXXXXX
XXXXXXXXXXXXXXXXXXXX
display
diagnostics
```

After 3 s, the following message appears

## 6.5 Basic Setup with the Endress+Hauser operating program

To carry out the basic setup with the operating program, proceed as follows:

- Start the operating program and establish a connection.
- Select the "**basic setup**" function group in the navigation window.

The following display appears on the screen:

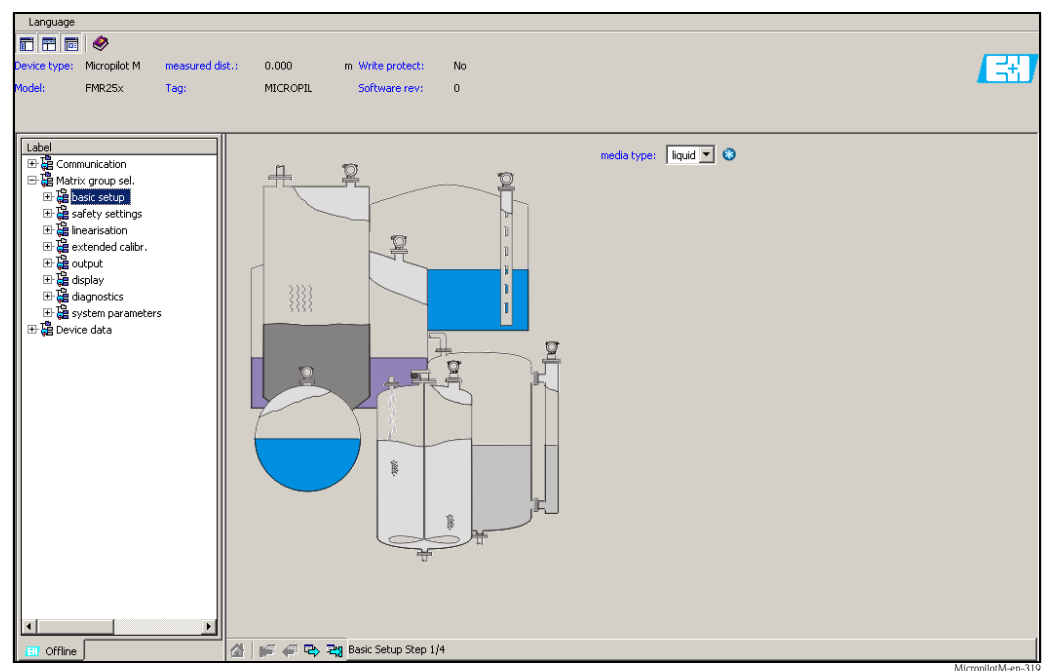
### Basic Setup step 1/4:

- media type
  - if "**liquid**" is selected in the "**media type**" function for level measurement in liquids
  - if "**solid**" is selected in the "**media type**" function for level measurement in solids



Note!

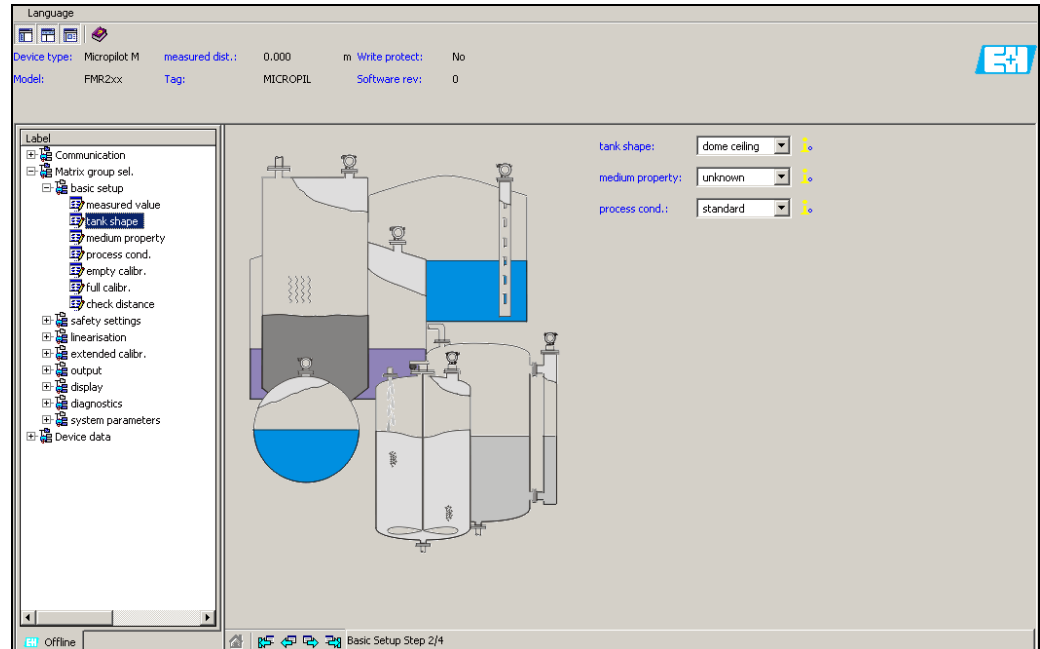
Each parameter that is changed must be confirmed with the **RETURN** key!



- The "**Next**" button moves you to the next screen display:

**Basic Setup step 2/4:**

- Enter the application parameters:
  - Tank shape
  - Medium property
  - Process cond.

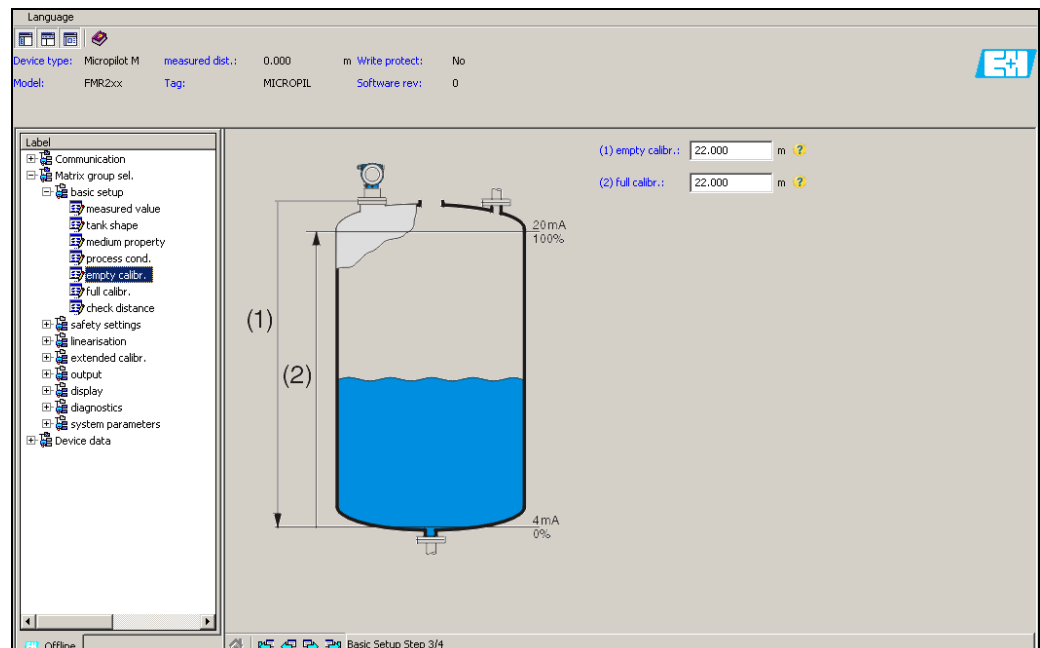


MicropilotM-es-302

**Basic Setup step 3/4:**

If "dome ceiling", "horizontal cyl", "..." is selected in the "tank shape" function, the following display appears on the screen:

- Empty calibr.
- Full calibr.

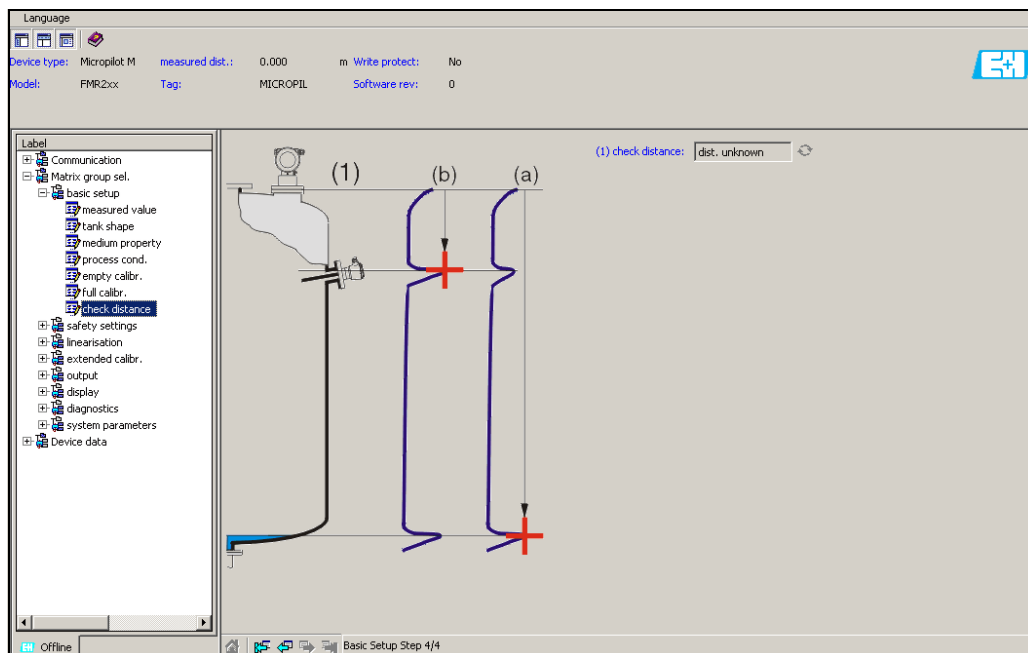


MicropilotM-es-303



**Basic Setup step 4/4:**

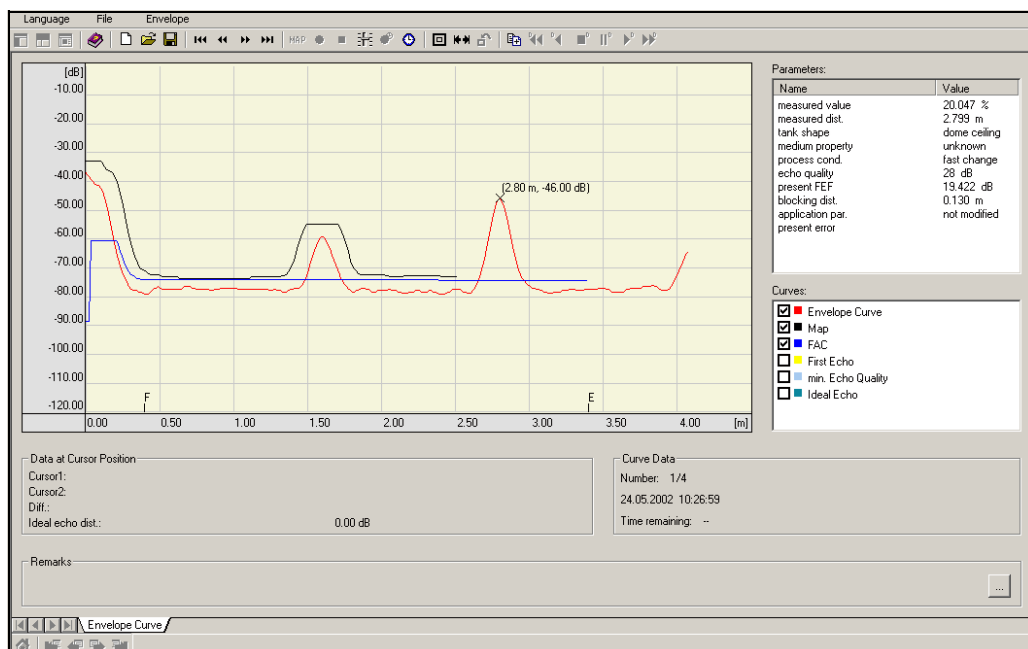
- This step starts the tank mapping.
- The measured distance and the current measured value are always displayed in the header.



MicropilotM-en-304

**6.5.1 Signal analysis via envelope curve**

After the basic setup, an evaluation of the measurement using the envelope curve is recommended.



MicropilotM-en-300



**Note!**

If the level of echo is very weak or there is a heavy interference echo, an orientation of the Micropilot can help optimise the measurement (increase of the useful echo/reduction of the interference echo).

### **6.5.2 User-specific applications (operation)**

For details of setting the parameters of user-specific applications, see separate documentation BA00291F/00/EN "Description of Instrument Function" on the enclosed CD-ROM.

## 7 Maintenance

The Micropilot M measuring instrument requires no special maintenance.


### Exterior cleaning

When cleaning the exterior of measuring devices, always use cleaning agents that do not attack the surface of the housing and the seals.

### Replacing seals

The process seals of the sensors must be replaced periodically, particularly if molded seals (aseptic construction) are used. The period between changes depends on the frequency of cleaning cycles and on the temperature of the measured substance and the cleaning temperature.

### Repairs

The Endress+Hauser repair concept assumes that the measuring devices have a modular design and that customers are able to undertake repairs themselves (→  86, "Spare Parts"). Please contact Endress+Hauser Service for further information on service and spare parts.

### Repairs to Ex-approved devices

When carrying out repairs to Ex-approved devices, please note the following:

- Repairs to Ex-approved devices may only be carried out by trained personnel or by the Endress+Hauser Service.
- Comply with the prevailing standards, national Ex-area regulations, safety instructions (XA) and certificates.
- Only use original spare parts from Endress+Hauser.
- When ordering a spare part, please note the device designation on the nameplate. Only replace parts with identical parts.
- Carry out repairs according to the instructions. On completion of repairs, carry out the specified routine test on the device.
- Only Endress+Hauser Service may convert a certified device into a different certified variant.
- Document all repair work and conversions.

### Replacement

After a complete Micropilot or electronic module has been replaced, the parameters can be downloaded into the instrument again via the communication interface. Prerequisite to this is that the data were uploaded to the PC beforehand using the FieldCare.

Measurement can continue without having to carry out a new setup.

- You may have to activate linearisation (see BA00291F/00/EN on the enclosed CD-ROM)
- You may need to record the tank map again (see Basic Setup)

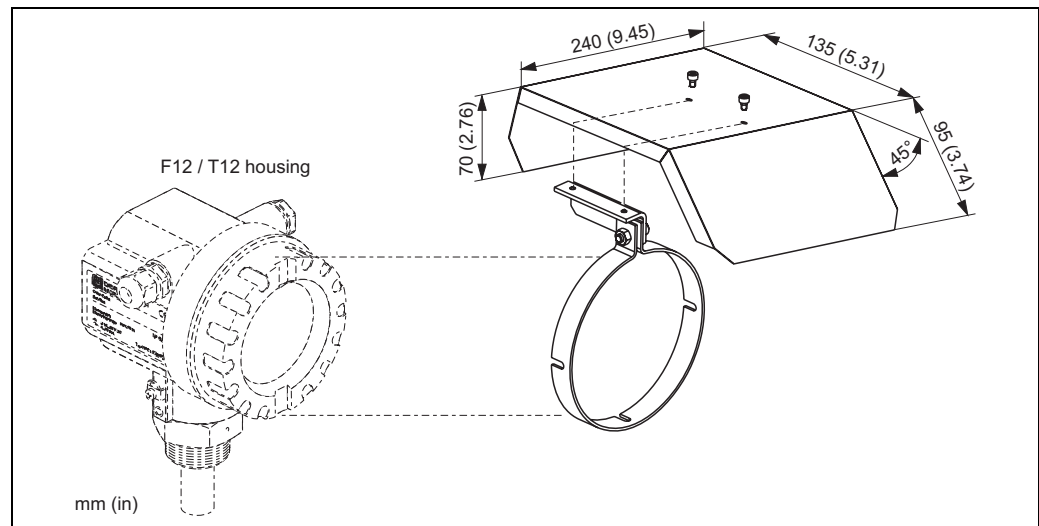
After an antenna component or electronic has been replaced, a new calibration must be carried out. This is described in the repair instructions.

## 8 Accessories

Various accessories, which can be ordered separately from Endress+Hauser, are available for the Micropilot M.

### 8.1 Weather protection cover

A Weather protection cover made of stainless steel is recommended for outdoor mounting (order code: 543199-0001). The shipment includes the protective cover and tension clamp.



### 8.2 Commubox FXA291

The Commubox FXA291 connects Endress+Hauser field instruments with CDI interface (= Endress+Hauser Common Data Interface) to the USB interface of a personal computer or a notebook. For details refer to TI00405C/07/EN.



Note!

For the instrument you need the "ToF Adapter FXA291" as an additional accessory.

### 8.3 ToF Adapter FXA291

The ToF Adapter FXA291 connects the Commubox FXA291 via the USB interface of a personal computer or a notebook for the instrument. For details refer to KA00271F/00/A2.

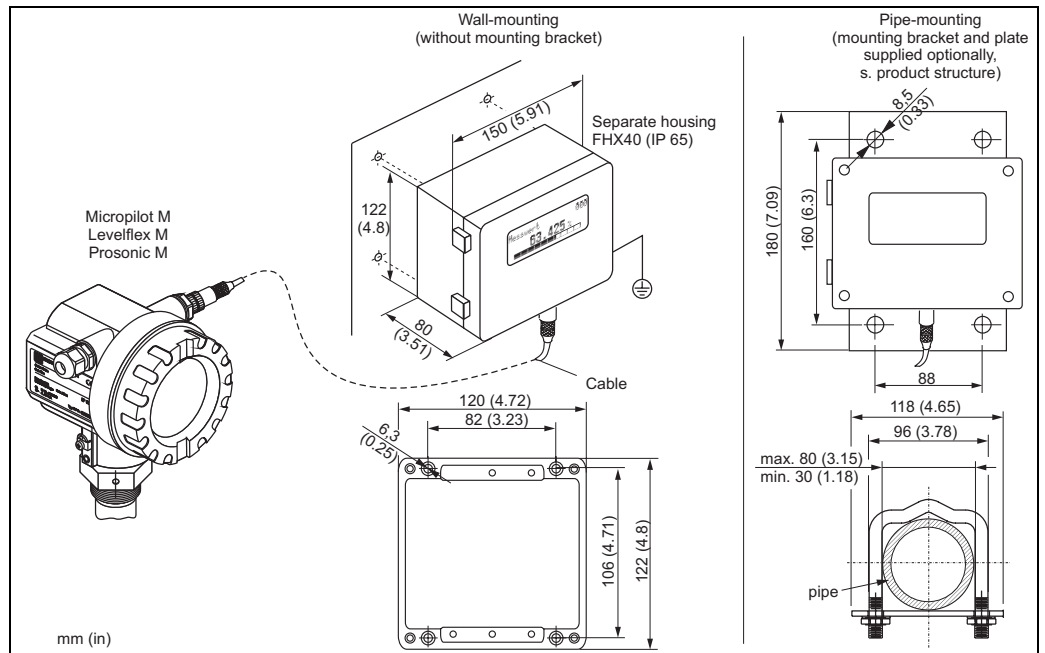
### 8.4 Proficard

For the connection of a Laptop to PROFIBUS

### 8.5 Profiboard

For the connection of a Personal Computer to PROFIBUS

## 8.6 Remote display FHX40



Technical data (cable and housing) and product structure:

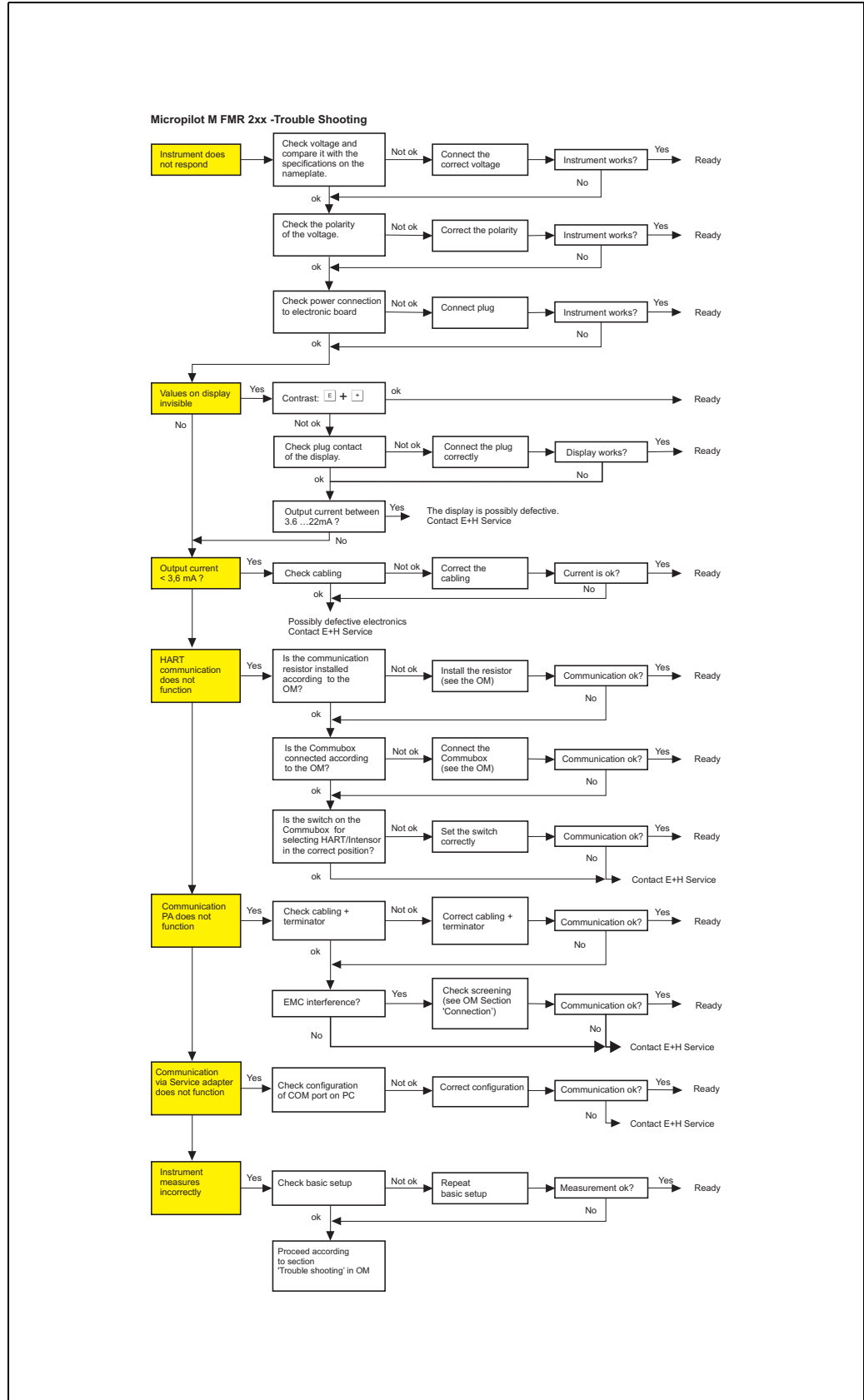
Max. cable length	20 m (66 ft)
Temperature range	-30 °C to +70 °C (-22 °F to 158 °F)
Degree of protection	IP65/67 (housing); IP68 (cable) acc. to IEC 60529
Materials	Housing: AlSi12; cable glands: nickle plated brass
Dimensions [mm (in)]	122x150x80 (4.8x5.9x3.1) / HxWxD

<b>010</b>	<b>Approval</b>	A Non-hazardous area 2 ATEX II 2G Ex ia IIC T6 3 ATEX II 2D Ex ia IIIC T80°C G IECEx Zone1 Ex ia IIC T6/T5 S FM IS Cl. I Div.1 Gr. A-D, zone 0 U CSA IS Cl. I Div.1 Gr. A-D, zone 0 N CSA General Purpose K TIIS Ex ia IIC T6 C NEPSI Ex ia IIC T6/T5 Y Special version, TSP-no. to be spec.
<b>020</b>	<b>Cable</b>	1 20m / 65ft: for HART 5 20m / 65ft: for PROFIBUS PA/FOUNDATION Fieldbus 9 Special version, TSP-no. to be spec.
<b>030</b>	<b>Additional option</b>	A Basic version B Mounting bracket, pipe 1" / 2" Y Special version, TSP-no. to be spec.
<b>995</b>	<b>Marking</b>	1 Tagging (TAG), see additional spec.
<b>FHX40 -</b>		Complete product designation

For connection of the remote display FHX40 use the cable which fits the communication version of the respective instrument.

# 9 Trouble-shooting

## 9.1 Trouble-shooting instructions



L00-FMR2xxx-19-00-00-es-010

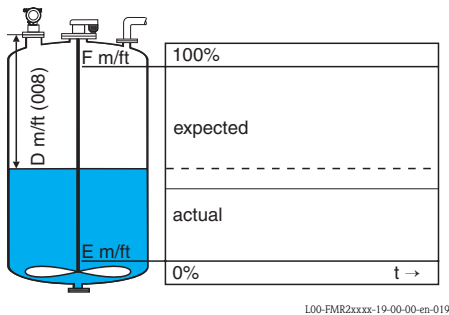
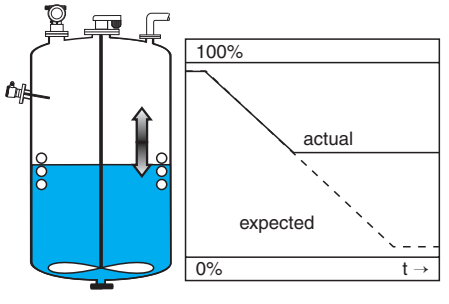
## 9.2 System error messages

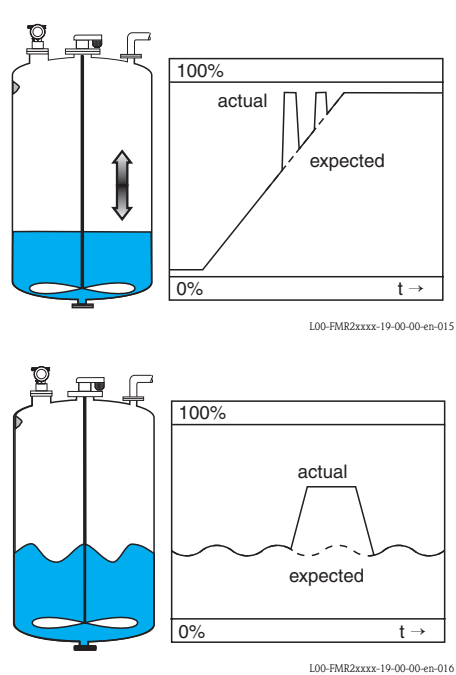
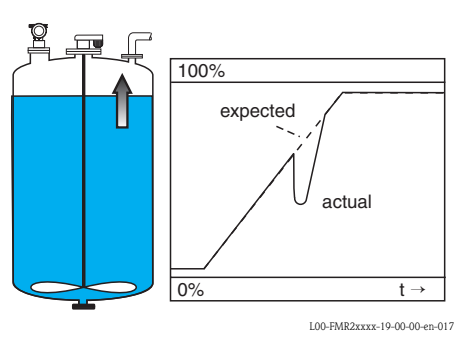
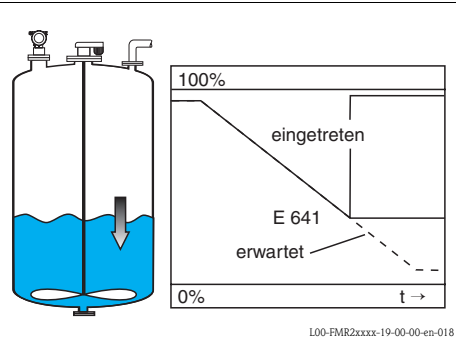
Code	Description	Possible cause	Remedy
A102	checksum error general reset & new calibr.required	device has been powered off before data could be stored; emc problem; EEPROM defect	reset; avoid emc problem; if alarm prevails after reset, exchange electronics
W103	initialising - please wait	EEPROM storage not yet finished	wait some seconds; if warning prevails, exchange electronics
A106	downloading please wait	processing data download	wait until warning disappears
A110	checksum error general reset & new calibr.required	device has been powered off before data could be stored; emc problem; EEPROM defect	reset; avoid emc problem; if alarm prevails after reset, exchange electronics
A111	electronics defect	RAM defective	reset; if alarm prevails after reset, exchange electronics
A113	electronics defect	RAM defective	reset; if alarm prevails after reset, exchange electronics
A114	electronics defect	EEPROM defect	reset; if alarm prevails after reset, exchange electronics
A115	electronics defect /error power supply	general hardware problem / too low power supply	reset; if alarm prevails after reset, exchange electronics / higher supply voltage
A116	download error repeat download	checksum of stored data not correct	restart download of data
A121	electronics defect	no factory calibration existant; EEPROM defective	contact service
W153	initialising - please wait	initialisation of electronics	wait some seconds; if warning prevails, power off device and power on again
A155	electronics defect	hardware problem	reset; if alarm prevails after reset, exchange electronics
A160	checksum error general reset & new calibr.required	device has been powered off before data could be stored; emc problem; EEPROM defect	reset; avoid emc problem; if alarm prevails after reset, exchange electronics
A164	electronics defect	hardware problem	reset; if alarm prevails after reset, exchange electronics
A171	electronics defect	hardware problem	reset; if alarm prevails after reset, exchange electronics
A231	sensor 1 defect check connection	HF module or electronics defective	exchange HF module or electronics
W511	no factory calibration ch1	factory calibration has been deleted	record new factory calibration
A512	recording of mapping please wait	mapping active	wait some seconds until alarm disappears
A601	linearisation ch1 curve not monotone	linearisation not monotonously increasing	correct linearisation table

<b>Code</b>	<b>Description</b>	<b>Possible cause</b>	<b>Remedy</b>
W611	less than 2 linearisation points for channel 1	number of entered linearisation points < 2	correct linearisation table
W621	simulation ch. 1 on	simulation mode is active	switch off simulation mode
E641	no usable echo channel 1 check calibr.	echo lost due to application conditions or built up on antenna	check installation; optimize orientation of antenna; clean antenna (cf. OM)
E651	level in safety distance - risk of overspill	level in safety distance	alarm will disappear as soon as level leaves safety distance;
E671	linearisation ch1 not complete, not usable	linearisation table is in edit mode	activate linearisation table
W681	current ch1 out of range	current out of range (3.8 mA...20.5 mA)	check calibration and linearisation



### 9.3 Application errors in liquids

Error	Output	Possible cause	Remedy
<p><b>A warning or alarm has occurred</b></p>	<p>Depending on the configuration</p>	<p>See table of error messages (→ 79)</p>	<p>1. See table of error messages (→ 79)</p>
<p><b>Measured value (000) is incorrect</b></p>	 <p>L00-FMR2xxx-19-00-00-en-019</p>	<p>Measured distance (008) OK?      yes →</p> <p>no ↓</p> <p>Measurement in bypass or stilling well?      yes →</p> <p>no ↓</p> <p>An interference echo may have been evaluated.      yes →</p>	<p>1. Check empty calibr. (005) and full calibr. (006).</p> <p>2. Check linearisation:                      → level/ullage (040)                      → max. scale (046)                      → diameter vessel (047)                      → Check table</p> <p>1. Is bypass or stilling well selected in tank shape (002)?</p> <p>2. Is the pipe diameter (007) correct?</p> <p>1. Carry out tank mapping → basic setup</p>
<p><b>No change off measured value on filling/emptying</b></p>	 <p>L00-FMR2xxx-19-00-00-en-014</p>	<p>Interference echo from installations, nozzle or extension on the antenna</p>	<p>1. Carry out tank mapping → basic setup</p> <p>2. If necessary, clean antenna</p> <p>3. If necessary, select better mounting position</p>

Error	Output	Possible cause	Remedy
<p>If the surface is not calm (e. g. filling, emptying, agitator running), the measured value jumps sporadically to a higher level</p>	 <p style="text-align: right; font-size: small;">L00-FMR2xxxx-19-00-00-en-015 L00-FMR2xxxx-19-00-00-en-016</p>	<p>Signal is weakened by the rough surface – the interference echoes are sometimes stronger</p>	<ol style="list-style-type: none"> <li>1. Carry out tank mapping → basic setup</li> <li>2. Set the process cond. (004) to "turb. surface" or "agitator"</li> <li>3. Increase the output damping (058)</li> <li>4. Optimise the orientation (→ 84)</li> <li>5. If necessary, select a better mounting position and/or larger antenna</li> </ol>
<p>During filling/ emptying the measured value jumps ownwards</p>	 <p style="text-align: right; font-size: small;">L00-FMR2xxxx-19-00-00-en-017</p>	<p>Multiple echoes</p>	<p>yes →</p> <ol style="list-style-type: none"> <li>1. Check the tank shape (002), e. g. "dome ceiling" or "horizontal cyl"</li> <li>2. In the range of the blocking dist. (059) there is no echo evaluation → Adapt the value</li> <li>3. If possible, do not select central installation position</li> <li>4. Perhaps use a stilling well</li> </ol>
<p>E641 (loss of echo)</p>	 <p style="text-align: right; font-size: small;">L00-FMR2xxxx-19-00-00-en-018</p>	<p>Level echo is too weak.</p> <p>Possible causes:</p> <ul style="list-style-type: none"> <li>■ Rough surface due to filling/ emptying</li> <li>■ Agitator running</li> <li>■ Foam</li> </ul>	<p>yes →</p> <ol style="list-style-type: none"> <li>1. Check application arameters (002), (003) and (004)</li> <li>2. Optimise alignment (→ 84)</li> <li>3. If necessary, select a better installation position and/or larger antenna</li> </ol>

## 9.4 Application errors in solids

Error	Output	Possible cause	Remedy
<b>A warning or alarm has occurred</b>	Depending on the configuration	See table of error messages (→ 79)	1. See table of error messages (→ 79)
<b>Measured value (000) is incorrect</b>	<p style="text-align: right; font-size: small;">100-FMR250xx-19-00-00-en-019</p>	Measured distance (008) OK?  yes →  no ↓  An interference echo may have been evaluated.	yes →  1. Check empty calibr. (005) and full calibr. (006). 2. Check linearisation: → level/ullage (040) → max. scale (046) → Check table
<b>No change off measured value on filling/emptying</b>	<p style="text-align: right; font-size: small;">100-FMR250xx-19-00-00-en-014</p>	Interference echo from installations, nozzle or build up on the antenna	1. Carry out tank mapping → basic setup 2. If necessary, use top target positioner to aim antenna better to product surface (avoidance of interference echo) (→ 84) 3. If necessary, clean antenna 4. If necessary, select better mounting position
<b>During filling or emptying the measured value jumps sporadically to a higher level</b>	<p style="text-align: right; font-size: small;">100-FMR250xx-19-00-00-en-015</p>	Signal is weakened (e. g. by fluidisation of the surface, extreme dust formation) – the interference echoes are sometimes stronger	1. Carry out tank mapping → basic setup 2. Increase the output damping (058) 3. Optimise the orientation (→ 84) 4. If necessary, select a better mounting position and/or larger antenna
<b>E641 (loss of echo)</b>	<p style="text-align: right; font-size: small;">100-FMR250xx-19-00-00-en-018</p>	Level echo is too weak. Possible causes: <ul style="list-style-type: none"> <li>■ fluidisation of the surface</li> <li>■ extreme dust formation</li> <li>■ angle of repose</li> </ul>	yes →  1. Check application arameters (00A), (00B) and (00C) 2. Optimise alignment (→ 84) 3. If necessary, select a better installation position and/or larger antenna

## 9.5 Orientation of the Micropilot

For orientation a marker is found on the flange or threaded boss of the Micropilot. During installation this must be oriented as follows (→ 10):

- In tanks: to the vessel wall
- In stilling wells: to the slots
- In bypass pipes: vertical to the tank connectors

After commissioning the Micropilot, the echo quality indicates whether a sufficiently large measuring signal is obtained. If necessary, the quality can be optimised later. Vice versa, the presence of an interference echo can be used to minimise this by optimum orientation. The advantage of this is that the subsequent tank mapping uses a somewhat lower level that causes an increase in the strength of the measuring signal.

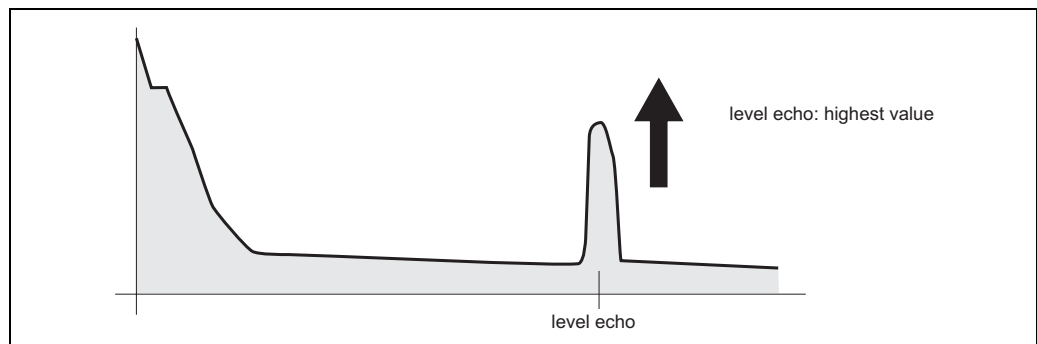
Proceed as follows:



**Warning!**

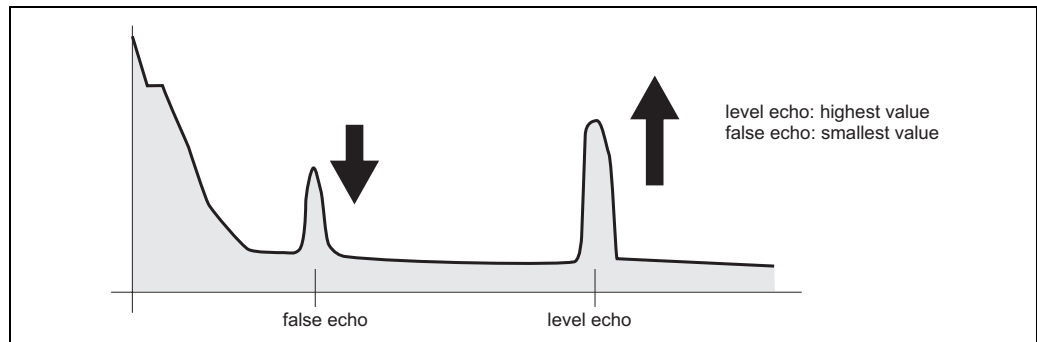
Subsequent alignment can lead to personal injury. Before you unscrew or loosen the process connection, make sure that the vessel is not under pressure and does not contain any injurious substances.

1. It is best to empty the container so that the bottom is just covered. However, alignment can be carried out even if the vessel is empty.
2. Optimisation is best carried out with the aid of the envelope graph in the display or the FieldCare.
3. Unscrew the flange or loosen the threaded boss by a half a turn.
4. Turn the flange by one hole or screw the threaded boss by one eighth of a turn. Note the echo quality.
5. Continue to turn until 360° is reached.
6. Optimum alignment:



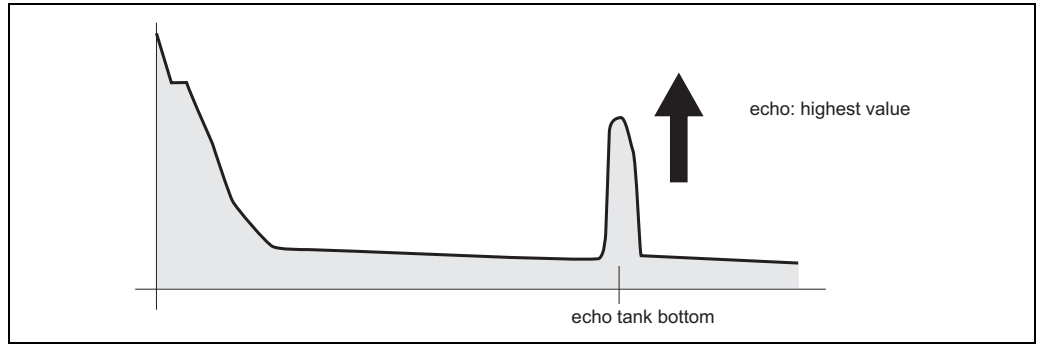
L00-FMRxxxxx-19-00-00-es-002

*Vessel partly full, no interference echo obtained*

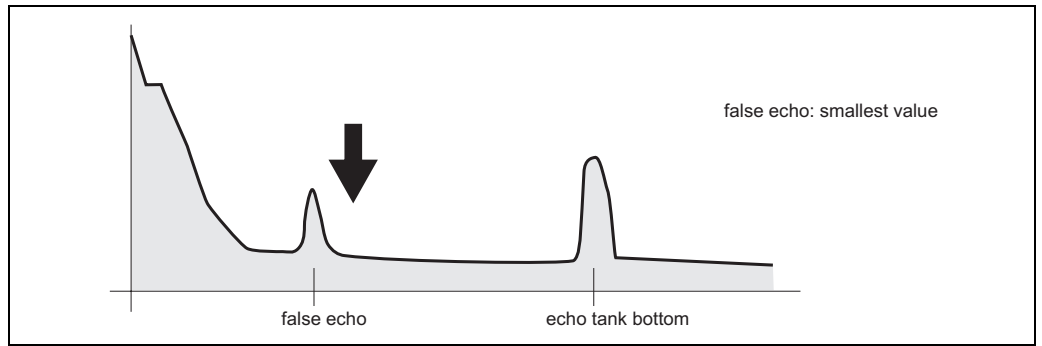


L00-FMRxxxxx-19-00-00-es-003

*Vessel partly full, interference echo obtained:*



*Vessel empty, no interference echo*



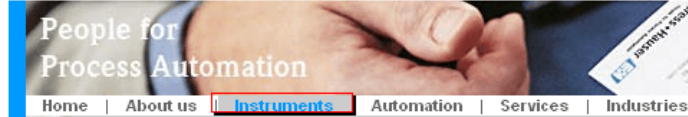
*Vessel empty, interference echo obtained*

7. Fix the flange or threaded boss in this position. If necessary, replace the seal.
8. Carry out tank mapping, → 65.

## 9.6 Spare Parts

An overview of the spare parts for your device is available in the internet at [www.endress.com](http://www.endress.com). To obtain information on the spare parts, proceed as follows:

1. Go to "www.endress.com" and select your country.
2. Click "Instruments".



3. Enter the product name into the "product name" field.

**Endress+Hauser product search**


**Via product name**  
 Enter the product name

4. Select the device.
5. Click the "Accessories/Spare parts" tab.

General information	Technical information	Documents/ Software	Service	<b>Accessories/ Spare parts</b>
---------------------	-----------------------	---------------------	---------	---------------------------------

▶ Accessories  
 ▼ All Spare parts
 

- ▶ Housing/housing accessories
- ▶ Sealing
- ▶ Cover
- ▶ Terminal module
- ▶ HF module
- ▶ Electronic
- ▶ Power supply
- ▶ Antenna module



**Advice**  
 Here you'll find a list of all available accessories and spare parts. To only view accessories and spare parts specific to your product(s), please contact us and ask about our Life Cycle Management Service.

◀ | 1 / 2 | ▶ | 🔍

6. Select the required spare parts (You may also use the overview drawing on the right side of the screen.)

When ordering spare parts, always quote the serial number indicated on the nameplate. As far as necessary, the spare parts also include replacement instructions.

## 9.7 Return

The following procedures must be carried out before a transmitter is sent to Endress+Hauser e.g. for repair or calibration:

- Remove all residue which may be present. Pay special attention to the gasket grooves and crevices where fluid may be present. This is especially important if the fluid is dangerous to health, e.g. corrosive, poisonous, carcinogenic, radioactive, etc.
- Always enclose a duly completed "Declaration of contamination" form (a copy of the "Declaration of contamination" is included at the end of this operating manual).  
Only then can Endress +Hauser transport, examine and repair a returned device.
- Enclose special handling instructions if necessary, for example a safety data sheet as per EN91/155/EEC.

Additionally specify:

- An exact description of the application.
- The chemical and physical characteristics of the product.
- A short description of the error that occurred (specify error code if possible)
- If necessary, give the error code.

## 9.8 Disposal

In case of disposal please separate the different components according to their material consistence.

## 9.9 Software history

Date	Software version	Changes to software	Documentation
12.2000	01.01.00	Original software. Operated via: – ToF Tool from version 1.5 – Commuwin II (from version 2.07-3) – HART communicator DXR275 (from OS 4.6) with Rev. 1, DD 1.	BA221F/00/EN/01.01 52006323
05.2002 03.2003	01.02.00 01.02.02	<ul style="list-style-type: none"> <li>■ Function group: envelope curve display</li> <li>■ Katakana (japanese)</li> <li>■ current turn down (HART only)</li> <li>■ the customer tank map can be edited</li> <li>■ length of antenna extension FAR10 can be entered directly</li> </ul> Operated via: – ToF Tool from version 3.1 – Commuwin II (from version 2.08-1) – HART communicator DXR375 with Rev. 1, DD 1.	BA221F/00/EN/03.03 52006323
01.2005	01.02.04	Function "echo lost" improved	
03.2006	01.04.00	<ul style="list-style-type: none"> <li>■ Function: detection window</li> </ul> Operated via: – ToF Tool from version 4.2 – FieldCare from version 2.02.00 – HART-Communicator DXR375 with Rev. 1, DD 1.	BA221F/00/EN/12.05 52006322
10.2006	01.05.00	Support of additional HF modules integrated. <ul style="list-style-type: none"> <li>■ Function: media type</li> </ul>	BA291F/00/EN/08.06 71030727

## 9.10 Contact addresses of Endress+Hauser

Contact addresses can be found on our homepage "[www.endress.com/worldwide](http://www.endress.com/worldwide)". If you have any questions, please do not hesitate to contact your Endress+Hauser representative.

## 10 Technical data

### 10.1 Additional technical data

#### 10.1.1 Input

**Measured variable** The measured variable is the distance between a reference point and a reflective surface (i. e. medium surface).  
The level is calculated based on the tank height entered.  
The level can be converted into other units (volume, mass) by means of a linearization (32 points).

**Operating frequency** K-band  
Up to 8 Micropilot M transmitters can be installed in the same tank because the transmitter pulses are statistically coded.

Distance	Average energy density in beam direction	
	max. measuring range = 20 m (66 ft) / 40 m (131 ft)	measuring range = 70 m (230 ft)
1 m (3.3 ft)	< 12 nW/cm <sup>2</sup>	< 64 nW/cm <sup>2</sup>
5 m (16 ft)	< 0.4 nW/cm <sup>2</sup>	< 2.5 nW/cm <sup>2</sup>

#### 10.1.2 Output


**Output signal** PROFIBUS PA

**Signal coding** Manchester Bus Powered (MBP)

**Data transmission rate** 31.25 KBit/s, voltage mode

**Galvanic isolation** Yes (IO-Module)

**Signal on alarm** Error information can be accessed via the following interfaces:

- Local display:
  - Error symbol (→  35)
  - Plain text display
- Current output, signal on error can be selected (e. g. according to NAMUR recommendation NE43).
- Digital interface

**Linearization** The linearization function of the Micropilot M allows the conversion of the measured value into any unit of length or volume. Linearization tables for calculating the volume in cylindrical tanks are pre-programmed. Other tables of up to 32 value pairs can be entered manually or semi-automatically.



### 10.1.3 Performance characteristics

Reference operating conditions	<ul style="list-style-type: none"> <li>■ temperature = +20 °C ±5 °C (+68 °F ±41 °F)</li> <li>■ pressure = 1013 mbar abs. ±20 mbar (15 psi abs. ±0.29 psi)</li> <li>■ relative humidity (air) = 65 % ±20 %</li> <li>■ ideal reflector</li> <li>■ no major interference reflections inside the signal beam</li> </ul>
Maximum measured error	<p>Typical statements for reference conditions, include linearity, repeatability, and hysteresis:</p> <ul style="list-style-type: none"> <li>■ <b>Not</b> for max. measuring range = 70 m (230 ft) <ul style="list-style-type: none"> <li>– to 1 m (3.3 ft): ±10 mm (±0.39 in)</li> </ul> </li> <li>■ For max. measuring range = 40 m (131 ft) <ul style="list-style-type: none"> <li>– to 10 m (33 ft): ±3 mm (±0.12 in)</li> <li>– ex 10 m (33 ft): ±0.03 % of measuring range</li> </ul> </li> <li>■ For max. measuring range = 70 m (230 ft) <ul style="list-style-type: none"> <li>– to 1 m (3.3 ft): ±30 mm (±1.18 in)</li> <li>– ex 1 m (3.3 ft): ±15 mm (±0.59 in) or 0.04 % of measuring range, whatever is larger</li> </ul> </li> </ul>
Resolution	Digital: 1mm (0.04 in) / 0.03 % of measuring range
Reaction time	The reaction time depends on the parameter settings (min. 1 s). In case of fast level changes, the instrument needs the reaction time to indicate the new value.
Influence of ambiente temperature	<p>The measurements are carried out in accordance with EN61298-3:</p> <ul style="list-style-type: none"> <li>■ digital output PROFIBUS PA: <ul style="list-style-type: none"> <li>– average <math>T_K</math>: 2 mm (0.08 in) /10 K, max. 5 mm (0.2 in) over the entire temperature range -40 °C to +80 °C (-40 to +176 °F)</li> </ul> </li> <li>■ Current output (additional error, in reference to the span of 16 mA): <ul style="list-style-type: none"> <li>– <b>Zero point (4 mA)</b> average <math>T_K</math>: 0,03 %/10 K, max. 0,45 % over the entire temperature range -40 °C to +80 °C (-40 to +176 °F)</li> <li>– <b>Span (20 mA)</b> average <math>T_K</math>: 0,09 %/10 K, max. 0,95 % over the entire temperature range -40 °C to +80 °C (-40 to +176 °F)</li> </ul> </li> </ul>
Effect of gas phase	High pressures reduce the propagation velocity of the measuring signals in the gas/vapor above the fluid. This effect depends on the gas/vapor and is particularly large for low temperatures. This results in a measuring error that gets bigger as the distance increases between the device zero point (flange) and product surface. The following table illustrates this measured error for a few typical gases/vapors (with regard to the distance; a positive value means that too large a distance is being measured):

Gas phase	Temperature		Pressure				
	°C	°F	1 bar (14.5 psi)	10 bar (145 psi)	50 bar (725 psi)	100 bar (1450 psi)	160 bar (2320 psi)
Air Nitrogen	20	68	0.00 %	0.22 %	1.2 %	2.4 %	3.89 %
	200	392	-0.01 %	0.13 %	0.74 %	1.5 %	2.42 %
	400	752	-0.02 %	0.08 %	0.52 %	1.1 %	1.70 %
Hydrogen	20	68	-0.01 %	0.10 %	0.61 %	1.2 %	2.00 %
	200	392	-0.02 %	0.05 %	0.37 %	0.76 %	1.23 %
	400	752	-0.02 %	0.03 %	0.25 %	0.53 %	0.86 %

Gas phase	Temperature		Pressure				
	°C	°F	1 bar (14.5 psi)	10 bar (145 psi)	50 bar (725 psi)	100 bar (1450 psi)	160 bar (2320 psi)
Water (saturated steam)	100	212	0.20 %	—	—	—	—
	180	356	—	2.1 %	—	—	—
	263	505	—	—	8.6 %	—	—
	310	590	—	—	—	22 %	—
	364	687	—	—	—	—	41.8 %



Note! Note!

When the pressure is known and constant, this measured error can, for example, be compensated by means of linearization.

### 10.1.4 Operating conditions: Environment

Ambient temperature range	Ambient temperature for the transmitter: -40 °C to +80 °C (-40 °F to +176 °F) or -50 °C to +80 °C (-58 °F to +176 °F). The functionality of the LCD display may be limited for temperatures $T_a < -20$ °C (-4 °F) and $T_a > +60$ °C (+140 °F). A weather protection cover should be used for outdoor operation if the instrument is exposed to direct sunlight.
Storage temperature	-40 °C to +80 °C (-40 °F to +176 °F) or -50 °C to +80 °C (-58 °F to +176 °F).
Climate class	DIN EN 60068-2-38 (test Z/AD)
Vibration resistance	DIN EN 60068-2-64 / IEC 68-52-64: <ul style="list-style-type: none"> <li>■ FMR230/231, FMR240/244/245 with 40 mm (1½") antenna: 20 to 2000 Hz, 1 (m/s<sup>2</sup>)/Hz</li> </ul>
Cleaning of the antenna	The antenna can get contaminated, depending on the application. The emission and reception of microwaves can thus eventually be hindered. The degree of contamination leading to an error depends on the medium and the reflectivity, mainly determined by the dielectric constant $\epsilon_r$ . If the medium tends to cause contamination and deposits, cleaning on a regular basis is recommended. Care has to be taken not to damage the antenna in the process of a mechanical or hose-down cleaning (eventually connection for cleaning liquid). The material compatibility has to be considered if cleaning agents are used! The maximum permitted temperature at the flange should not be exceeded.
Electromagnetic compatibility	Electromagnetic compatibility in accordance with all the relevant requirements of the EN61326 series and NAMUR recommendation (NE21). For details refer to the Declaration of Conformity. Maximum deviation < 0.5 % of the span.

### 10.1.5 Operating conditions: Process

Process temperature range /  
Process pressure limits

Note!

The specific range may be reduced by the selected process condition. The pressure rating (PN) specified on the flanges refers to a reference temperature of 20 °C (68 °F), for ASME flanges to 100 °F. Observe pressure temperature dependency.

The pressure values permitted at higher temperatures can be found in the following standards:

- EN1092-1: 2001 Tab. 18  
With regard to their temperature stability properties, the materials 1.4404 and 1.4435 are grouped under 13E0 in EN1092-1 Tab. 18. The chemical composition of the two materials can be identical.
- ASME B16.5a - 1998 Tab. 2-2.2 F316
- ASME B16.5a - 1998 Tab. 2.3.8 N10276
- JIS B 2220

Type of antenna		Seal	Temperature	Pressure	Wetted parts
V	Standard, completely PTFE encapsulated	FKM Viton	-40 °C to +130 °C (-40 °F to +266 °F)	-1 to 3 bar (-14.5 to 43.5 psi)	PTFE (conform to FDA 21 CFR 177.1550 and USP <88> Class VI), Viton, PVDF
		GLT			
S	Standard, PP clad	Silicone	-40 °C to +80 °C (-40 °F to +176 °F)		PP, Silicone, PBT

↑ Ordering information → 7

Dielectric constant

- in a stilling well:  $\epsilon_r \geq 1.4$
- in free space:  $\epsilon_r \geq 1.9$

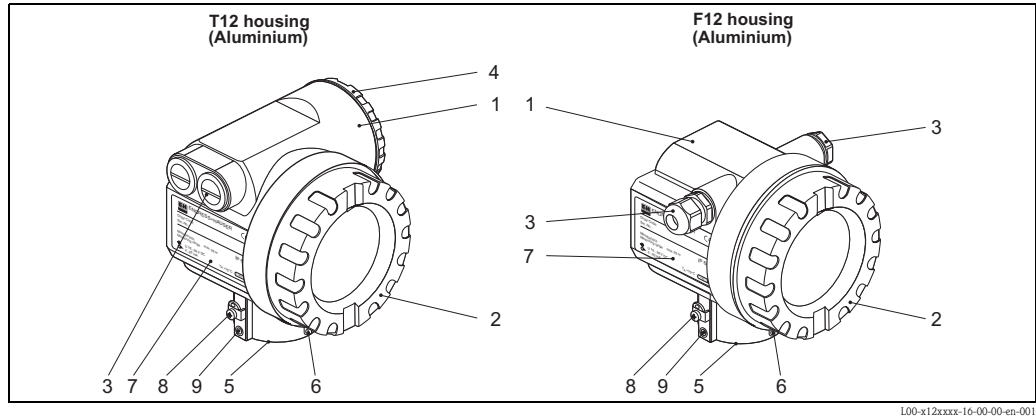
### 10.1.6 Mechanical construction

Weight

- F12/T12 housing: approx 2.5 kg (5.51 lbs)
- F23 housing: approx 5.9 kg (13.01 lbs)

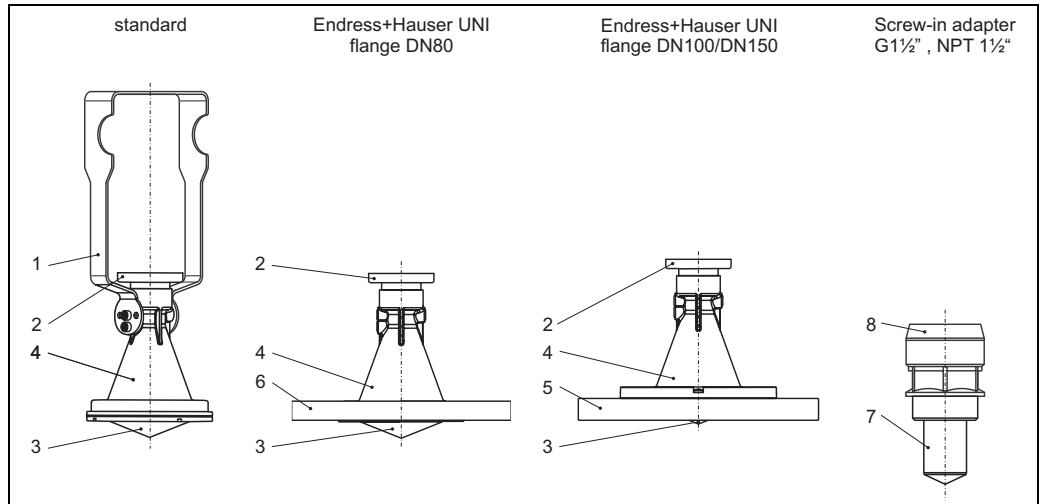
Material  
(not in contact with process)

*Materials of T12 and F12 housing (seawater-resistant, powder-coated)*



Pos.	Part	Material		
1	T12 and F12 housing	AlSi10Mg		
2	Cover (Display)	AlSi10Mg		
	Sealing	Fa. SHS: EPDM 70pW FKN		
	Window	ESG-K-Glass (Toughened safety glass)		
	Sealing of the glass	Silicone sealing compound Gomastit 402		
3	Sealing	Fa. SHS: EPDM 70 pW FKN	Trelleborg: EPDM E7502	
	Cable gland	Polyamid (PA), CuZn nickel-plated		
	Plug	PBT-GF30	1.0718 galvanized	
		PE	3.1655	
Adapter	316L (1.4435)	AlMgSiPb (anodized)		
4	Cover (Connection compartment)	AlSi10Mg		
	Sealing	Fa. SHS: EPDM 70pW FKN	Trelleborg: EPDM E7502/E7515	
	Clamp	Screws: A4; Clamp: Ms nickel-plated; Spring washer: A4		
5	Sealing ring	Fa. SHS: EPDM 70pW FKN	Trelleborg: EPDM E7502/E7515	
6	Retaining ring for tag	VA		
	Rope	VA		
	Crimp sleeve	Aluminium		
7	Nameplate	1.4301		
	Groove pin	A2		
8	Ground terminal:	Screws: A2; Spring washer: A4; Clamp: 1.4301 Holder: 1.4310		
9	Screws	A2-70		

Material  
(in contact with process)



L00-FMR244xx-16-00-00-en-001

Pos.	Part	Material
1	Mounting bracket	304 (1.4301)
	Screws	A2
	Nordlock disk	A4
2	Adapter	304 (1.4301)
3	Focusing refractor	PP
	Sealing	Silicone
4	Horn	PBT
5	Flange + adapter ring	PP
	Screws	A2
	Sealing	Viton
6	Collar flange	PP
7	Sleeve	PTFE (conform with FDA 21 CFR 177.1550 and USP <88> Class VI)
	Sealing	Viton
8	Adapter	PVDF

---

### 10.1.7 Certificates and approvals

---

CE approval	The measuring system meets the legal requirements of the EC-guidelines. Endress+Hauser confirms the instrument passing the required tests by attaching the CE-mark.
RF approvals	R&TTE, FCC
Overspill protection	German WHG, see ZE00244F/00/DE. SIL 2, see SD00150F/00/EN "Functional Safety Manual".
External standards and guidelines	<p><b>EN 60529</b> Protection class of housing (IP-code).</p> <p><b>EN 61010</b> Safety regulations for electrical devices for measurement, control, regulation and laboratory use.</p> <p><b>EN 61326-X</b> EMC product family standard for electrical equipment for measurement, control and laboratory use.</p> <p><b>NAMUR</b> User association for automation technology in process industries.</p>
Marine certificate	GL (German Lloyd), ABS, NK – PROFIBUS PA – not HT antenna

Ex approval

Correlation of safety instructions (XA, XC) and certificates (ZD, ZE) to the instrument:

Feature	Variance	ZK00103E	ZK00103F	ZK00103G	ZK00103H	ZK00103I	ZK00103J	ZK00103K	ZK00103L	ZK00103M	ZK00103N	ZK00103O	ZK00103P	ZK00103Q	ZK00103R	ZK00103S	ZK00103T	ZK00103U	ZK00103V	ZK00103W	ZK00103X	ZK00103Y	ZK00103Z
		ZK00103E	ZK00103F	ZK00103G	ZK00103H	ZK00103I	ZK00103J	ZK00103K	ZK00103L	ZK00103M	ZK00103N	ZK00103O	ZK00103P	ZK00103Q	ZK00103R	ZK00103S	ZK00103T	ZK00103U	ZK00103V	ZK00103W	ZK00103X	ZK00103Y	ZK00103Z
10 Approval:	Non-hazardous area	A																					
	ATEX II 1/2D, Alu blind cover, XA	B							X														
	ATEX II 1/3D, XA	C							X														
	IECEX Zone 0/1, Ex ia IIC T6, XA <sup>1)</sup>	D									X	X	X	X									
	IECEX Zone 0/1, Ex d (ia) IIC T6, XA <sup>1)</sup>	E											X										
	Non-hazardous area, WHG <sup>2)</sup>	F	X																				
	ATEX II 3G Ex nA II T6	G												X									
	ATEX II 1/2G Ex ia IIC T6, ATEX II 3D, XA <sup>1)</sup>	H													X	X	X	X					X
	NEPSI Ex ia IIC T6	I								X	X												
	NEPSI Ex d(ia)ia IIC T6	J								X													
	*TIIS Ex ia IIC T4	K																				X	X
	TIIS Ex d (ia) IIC T4	L																					
	CSA General Purpose	N																					
	NEPSI Ex nAL IIC T6	R								X													
	FM IS Cl.I Div.1 Gr.A-D, Zone 0, 1, 2	S		X	X	X			X	X													
	FM XP Cl.I Div.1 Gr.A-D, Zone 1, 2	T							X														
	CSA IS Cl.I Div.1 Gr.A-D, Zone 0, 1, 2	U	X	X			X	X															
	CSA XP Cl.I Div.1 Gr.A-D, Zone 1, 2	V					X																
	Special version	Y																					
ATEX II 1/2G Ex ia IIC T6, XA <sup>1)</sup>	Z												X	X	X							X	
ATEX II 1/2G Ex d (ia) IIC T6, XA <sup>1)</sup>	5																					X	
ATEX II 1/2G Ex ia IIC T6, WHG, XA <sup>1)</sup>	7	X																		X	X	X	
50 Output; Operation:	4-20mA SIL HART, 4-line display VU331 <sup>3)</sup>	A	X	X	X	X	X	X	X	X	X	X	X	X	X	X	X	X	X	X	X	X	
	4-20mA SIL HART, w/o display <sup>4)</sup>	B	X	X	X	X	X	X	X	X	X	X	X	X	X	X	X	X	X	X	X	X	
	PROFIBUS PA, 4-line display VU331 <sup>3)</sup>	C	X	X	X	X	X	X	X	X	X	X	X	X	X	X	X	X	X	X	X	X	
	PROFIBUS PA, w/o display <sup>4)</sup>	D	X	X	X	X	X	X	X	X	X	X	X	X	X	X	X	X	X	X	X	X	
	FOUNDATION Fieldbus, 4-line display <sup>3)</sup>	E	X	X	X	X	X	X	X	X	X	X	X	X	X	X	X	X	X	X	X	X	
	FOUNDATION Fieldbus, w/o display <sup>4)</sup>	F	X	X	X	X	X	X	X	X	X	X	X	X	X	X	X	X	X	X	X	X	
	4-20mA SIL HART, prepared for FHX40	K	X				X	X	X	X	X	X	X	X	X	X	X	X	X	X	X	X	
	PROFIBUS PA, prepared for FHX40	L	X		X	X	X	X	X	X	X	X	X	X	X	X	X	X	X	X	X	X	
	FOUNDATION Fieldbus, prepared for FHX40	M		X	X	X	X	X	X	X	X	X	X	X	X	X	X	X	X	X	X	X	
Special version	Y																						
60 Housing:	F12 Alu, coated IP65 NEMA4X	A			X	X	X	X	X	X	X	X	X	X	X	X	X	X	X	X	X	X	
	T12 Alu, coated IP65 NEMA4X <sup>5)</sup>	C				X	X		X	X				X								X	
	T12 Alu, coated IP65 NEMA4X + OVP <sup>5,6)</sup>	D	X	X	X	X	X		X	X	X	X	X	X	X	X	X	X	X	X	X	X	
	Special version	Y																					

- \* In preparation
- 1) Note safety instructions (XA) (electrostatic charging)!
- 2) German WHG only in combination with certificate ZE00244F/00/DE.
- 3) Envelope curve display on site.
- 4) Via communication.
- 5) Separate conn. compartment.
- 6) OVP = overvoltage protection.

### 10.1.8 Supplementary Documentation

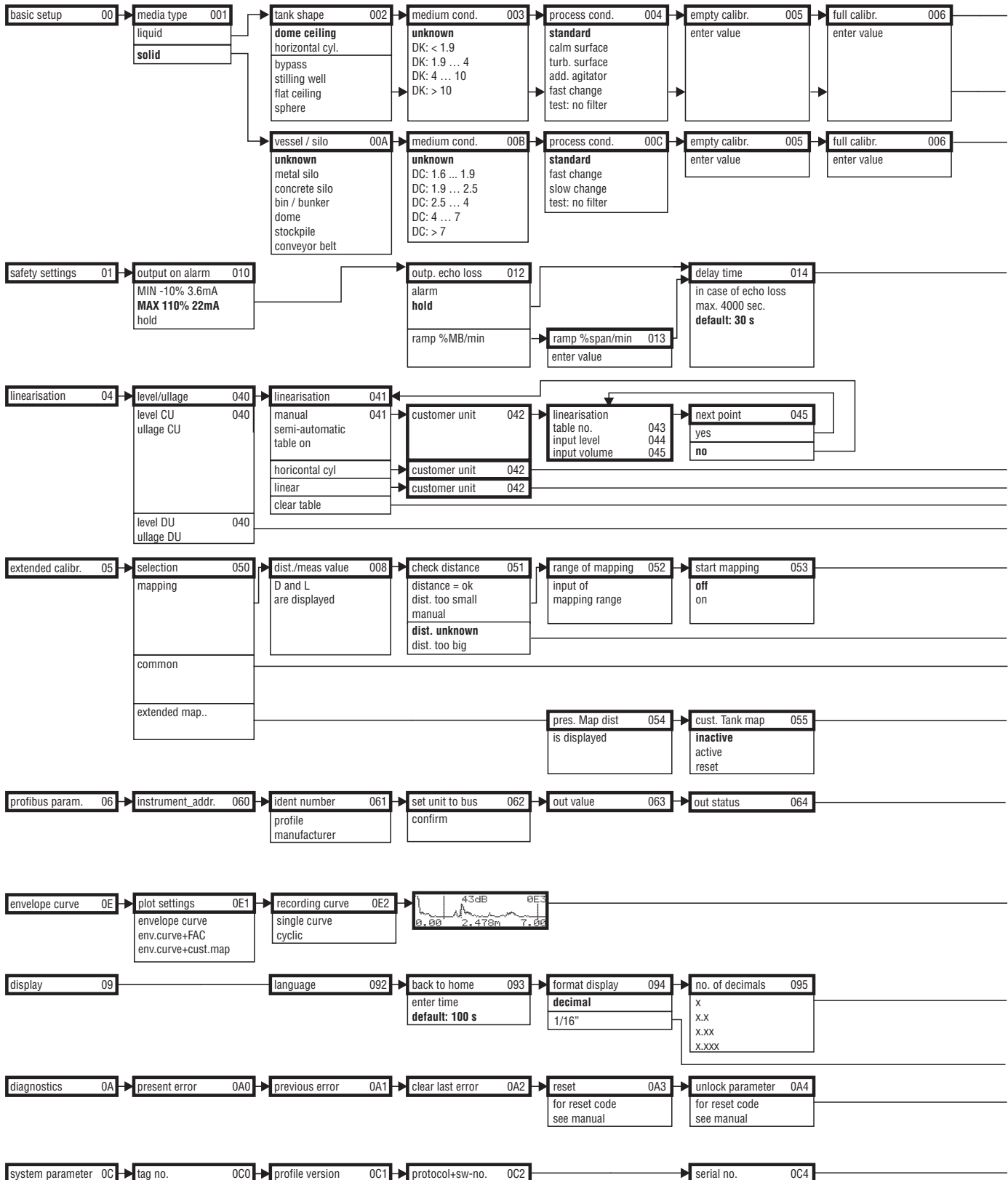
Supplementary Documentation

This supplementary documentation can be found on our product pages on [www.endress.com](http://www.endress.com).

- Technical Information (TI00345F/00/EN)
- Operating Instructions "Description of instrument functions" (BA00291F/00/EN)
- Safety Manual "Functional Safety Manual" (SD00150F/00/EN)
- Certificate "German WHG" (ZE00244F/00/DE)
- Brief operating instructions (KA01010F/00/EN)

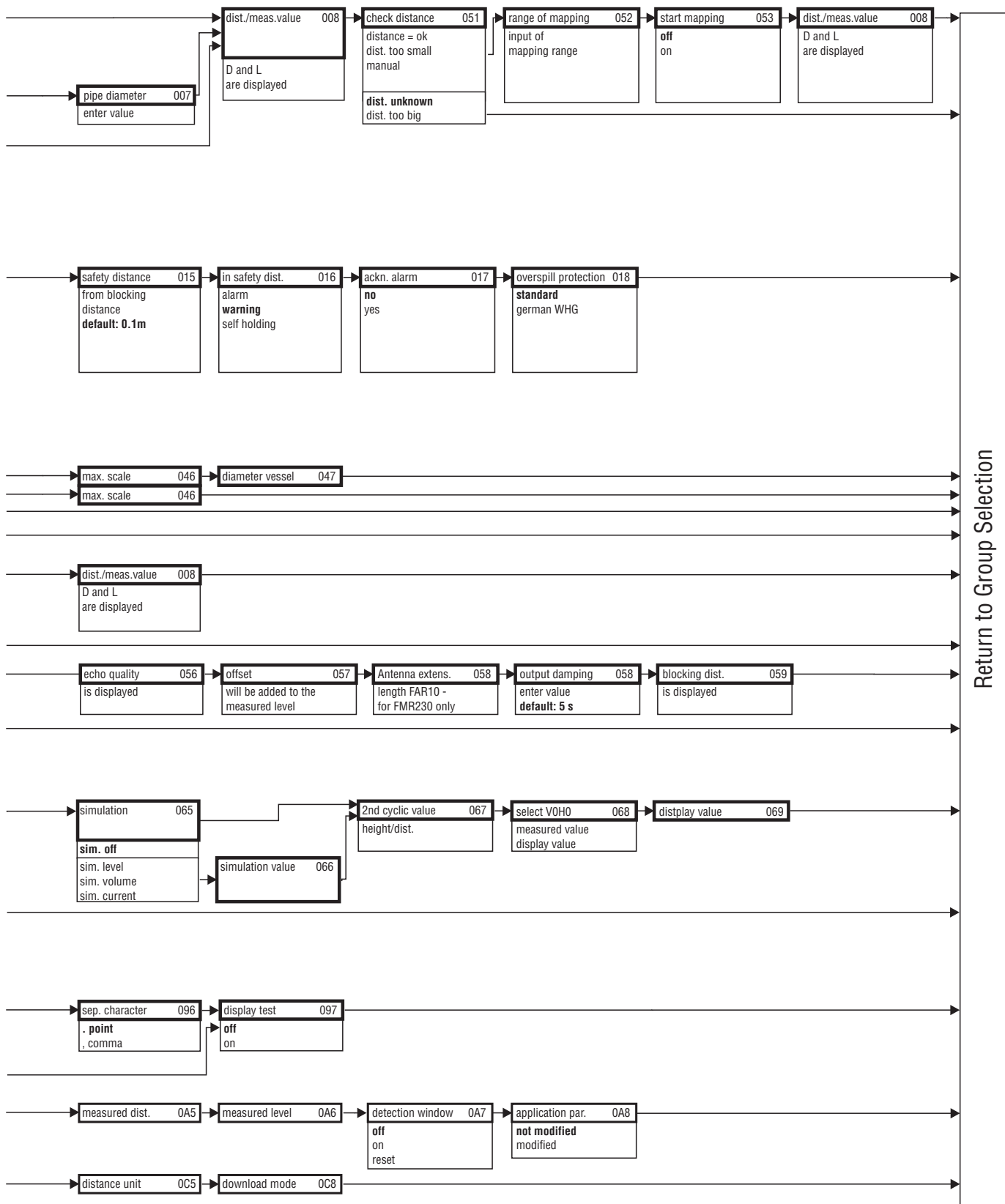
# 11 Appendix

## 11.1 Operating menu PROFIBUS PA



**Note!** The default values of the parameters are typed in boldface.





## 11.2 Patents

This product may be protected by at least one of the following patents.  
Further patents are pending.

- US 5,387,918  $\cong$  EP 0 535 196
- US 5,689,265  $\cong$  EP 0 626 063
- US 5,659,321
- US 5,614,911  $\cong$  EP 0 670 048
- US 5,594,449  $\cong$  EP 0 676 037
- US 6,047,598
- US 5,880,698
- US 5,926,152
- US 5,969,666
- US 5,948,979
- US 6,054,946
- US 6,087,978
- US 6,014,100





## Index

### A

accessories ..... 76  
 alarm ..... 40  
 antenna size ..... 12  
 application errors in liquids ..... 81  
 application errors in solids ..... 83

### B

basic setup ..... 57, 59, 71  
 beam angle ..... 16  
 bypass ..... 64

### C

CE mark ..... 9  
 commissioning ..... 56  
 connecting ..... 30  
 connection ..... 31

### D

declaration of conformity ..... 9  
 declaration of contamination ..... 87  
 degree of protection ..... 31  
 designated use ..... 4  
 device display ..... 59, 68  
 dielectric constant ..... 19, 60, 62  
 dimensions ..... 12  
 display ..... 35  
 disposal ..... 87  
 distance ..... 57, 65

### E

echo mapping ..... 66  
 echo quality ..... 84–85  
 empty calibration ..... 57, 63, 72  
 engineering hints ..... 14  
 envelope curve ..... 68, 73  
 error messages ..... 40  
 Ex approval ..... 95  
 exterior cleaning ..... 75

### F

F12 housing ..... 27  
 FHX40 ..... 77  
 fieldbus plug connectors ..... 29  
 FieldCare ..... 54, 71, 96  
 full calibration ..... 57, 64, 72  
 function groups ..... 33  
 functions ..... 33

### I

installation in stilling well ..... 10, 24  
 installation in tank ..... 10, 21  
 interference echo ..... 84  
 interference echoes ..... 65

### K

key assignment ..... 36

### L

level ..... 57  
 lock ..... 37–38

### M

maintenance ..... 75  
 mapping ..... 65–66, 73  
 maximum measured error ..... 89  
 Measurement in a plastic tank ..... 15  
 measuring conditions ..... 17–18  
 media group ..... 62  
 media type ..... 71  
 medium property ..... 60, 62, 72  
 mounting ..... 10

### N

nameplate ..... 6  
 notes on safety conventions and symbols ..... 5

### O

operatin menu ..... 96  
 operating menu ..... 33  
 operation ..... 32, 37  
 operation menu ..... 32  
 operational safety ..... 4  
 optimisation ..... 84  
 ordering structure ..... 7  
 orientation ..... 10, 84

### P

pipe diameter ..... 64  
 process conditions ..... 61, 63  
 product class ..... 19

### R

repairs ..... 75  
 repairs to Ex-approved devices ..... 75  
 replacement ..... 75  
 replacing seals ..... 75  
 Reset ..... 39  
 return ..... 87  
 RF approvals ..... 94

### S

safety distance ..... 57  
 safety instructions ..... 4  
 Service Interface FXA291 ..... 76  
 software history ..... 87  
 Spare Parts ..... 86  
 stilling well ..... 24, 64  
 stilling wells ..... 25  
 system error messages ..... 79

### T

T12 housing ..... 28–29  
 tank installations ..... 14  
 tank shape ..... 59–60

technical data .....	88
trouble-shooting .....	78
trouble-shooting instructions .....	78
turn housing .....	10, 26

**U**

unlock parameter .....	37–38
------------------------	-------

**V**

vessel / silo .....	62, 72
---------------------	--------

**W**

warning .....	40
weather protection cover .....	76
wiring .....	27

## Declaration of Hazardous Material and De-Contamination *Erklärung zur Kontamination und Reinigung*

**RA No.**

Please reference the Return Authorization Number (RA#), obtained from Endress+Hauser, on all paperwork and mark the RA# clearly on the outside of the box. If this procedure is not followed, it may result in the refusal of the package at our facility.  
*Bitte geben Sie die von E+H mitgeteilte Rücklieferungsnummer (RA#) auf allen Lieferpapieren an und vermerken Sie diese auch außen auf der Verpackung. Nichtbeachtung dieser Anweisung führt zur Ablehnung ihrer Lieferung.*

Because of legal regulations and for the safety of our employees and operating equipment, we need the "Declaration of Hazardous Material and De-Contamination", with your signature, before your order can be handled. Please make absolutely sure to attach it to the outside of the packaging.

*Aufgrund der gesetzlichen Vorschriften und zum Schutz unserer Mitarbeiter und Betriebseinrichtungen, benötigen wir die unterschriebene "Erklärung zur Kontamination und Reinigung", bevor Ihr Auftrag bearbeitet werden kann. Bringen Sie diese unbedingt außen an der Verpackung an.*

**Type of instrument / sensor**

Geräte-/Sensortyp \_\_\_\_\_

**Serial number**

Seriennummer \_\_\_\_\_

**Used as SIL device in a Safety Instrumented System / Einsatz als SIL Gerät in Schutzeinrichtungen**

**Process data / Prozessdaten**

Temperature / Temperatur \_\_\_\_\_ [°F] \_\_\_\_\_ [°C] Pressure / Druck \_\_\_\_\_ [psi] \_\_\_\_\_ [Pa]

Conductivity / Leitfähigkeit \_\_\_\_\_ [µS/cm] Viscosity / Viskosität \_\_\_\_\_ [cp] \_\_\_\_\_ [mm<sup>2</sup>/s]

**Medium and warnings**

Warnhinweise zum Medium



	Medium / concentration <i>Medium / Konzentration</i>	Identification CAS No.	flammable <i>entzündlich</i>	toxic <i>giftig</i>	corrosive <i>ätzend</i>	harmful/ irritant <i>gesundheitsschädlich/ reizend</i>	other * <i>sonstiges*</i>	harmless <i>unbedenklich</i>
Process medium <i>Medium im Prozess</i>								
Medium for process cleaning <i>Medium zur Prozessreinigung</i>								
Returned part cleaned with <i>Medium zur Endreinigung</i>								

\* explosive; oxidising; dangerous for the environment; biological risk; radioactive

\* *explosiv; brandfördernd; umweltgefährlich; biogegefährlich; radioaktiv*

Please tick should one of the above be applicable, include safety data sheet and, if necessary, special handling instructions.

*Zutreffendes ankreuzen; trifft einer der Warnhinweise zu, Sicherheitsdatenblatt und ggf. spezielle Handhabungsvorschriften beilegen.*

**Description of failure / Fehlerbeschreibung** \_\_\_\_\_

**Company data / Angaben zum Absender**

Company / Firma _____	Phone number of contact person / Telefon-Nr. Ansprechpartner: _____
Address / Adresse _____	Fax / E-Mail _____
	Your order No. / Ihre Auftragsnr. _____

"We hereby certify that this declaration is filled out truthfully and completely to the best of our knowledge. We further certify that the returned parts have been carefully cleaned. To the best of our knowledge they are free of any residues in dangerous quantities."

*"Wir bestätigen, die vorliegende Erklärung nach unserem besten Wissen wahrheitsgetreu und vollständig ausgefüllt zu haben. Wir bestätigen weiter, dass die zurückgesandten Teile sorgfältig gereinigt wurden und nach unserem besten Wissen frei von Rückständen in gefährbringender Menge sind."*

\_\_\_\_\_  
(place, date / Ort, Datum)

\_\_\_\_\_  
Name, dept./Abt. (please print / bitte Druckschrift)

\_\_\_\_\_  
Signature / Unterschrift

[www.endress.com/worldwide](http://www.endress.com/worldwide)

---

**Endress + Hauser**   
People for Process Automation

---

