

IG5567



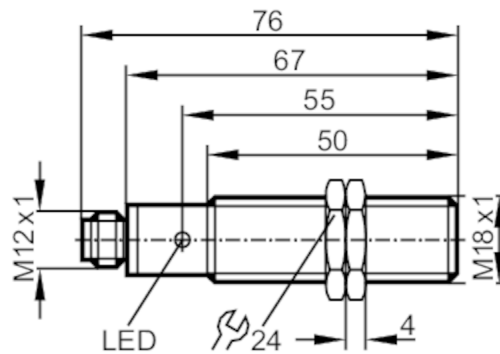
Inductive sensor

IGA3005-BPOG/US-100-DPS

Article no longer available - archive entry

Alternative articles: IG5568

When selecting an alternative article and accessories please note that technical data may differ!



Product characteristics

| | | |
|-------------------|------|------------------|
| Electrical design | | PNP |
| Output function | | normally open |
| Sensing range | [mm] | 5 |
| Housing | | Threaded type |
| Dimensions | [mm] | M18 x 1 / L = 76 |

Electrical data

| | | |
|-----------------------------|------|------------|
| Operating voltage | [V] | 10...30 DC |
| Current consumption | [mA] | 5; (24 V) |
| Protection class | | II |
| Reverse polarity protection | | no |

Outputs

| | | |
|---|------|---------------|
| Electrical design | | PNP |
| Output function | | normally open |
| Max. voltage drop switching output DC | [V] | 2.5 |
| Permanent current rating of switching output DC | [mA] | 200 |
| Switching frequency DC | [Hz] | 500 |
| Short-circuit protection | | no |
| Overload protection | | no |

Monitoring range

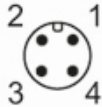
| | | |
|-----------------------|------|----------|
| Sensing range | [mm] | 5 |
| Real sensing range Sr | [mm] | 5 ± 10 % |
| Operating distance | [mm] | 0...4.05 |

IG5567



Inductive sensor

IGA3005-BPOG/US-100-DPS

| Accuracy / deviations | | |
|---|--|-----------------|
| Correction factor | steel: 1 / stainless steel: 0.7 / brass: 0.4 / aluminum: 0.3 / copper: 0.3 | |
| Hysteresis [% of Sr] | 1...15 | |
| Switch-point drift [% of Sr] | -10...10 | |
| Operating conditions | | |
| Ambient temperature [°C] | -25...80 | |
| Protection | IP 65 | |
| Tests / approvals | | |
| EMC | EN 60947-5-2 | |
| | EN 55011 | class B |
| Mechanical data | | |
| Housing | Threaded type | |
| Mounting | flush mountable | |
| Dimensions [mm] | M18 x 1 / L = 76 | |
| Thread designation | M18 x 1 | |
| Material | brass nickel-plated; PBT | |
| Displays / operating elements | | |
| Display | Switching status | 1 x LED, yellow |
| Accessories | | |
| Items supplied | lock nuts: 2 | |
| Remarks | | |
| Pack quantity | 1 pcs. | |
| Electrical connection - plug | | |
| Connector: 1 x M12 | | |
|  | | |

IG5567



Inductive sensor

IGA3005-BPOG/US-100-DPS

Connection

