



Empowered by  
**U-LINK**

# BARRIERS

Complete range  
road barriers



Be ahead



# New power in **your** hands.

## Innovative technology that gives you more power

An industry first, exclusive from Bft, offering surprising state-of-the-art performance: U-Link is a platform that allows us to create technological ecosystems offering maximum control.

- **U-Control:** is the new Android application capable of unfurling the entire U-SBK potential in the public and trade sectors in a few easy steps.
- **U-Base Ξ:** makes it easy to control a system using the U-Link platform, allowing for the control of automation parameters.
- **U-SDK:** allows system integrators to establish communication between other-brand automation systems with Bft products on the U-Link platform.



### B-eba

**A direct link to your operators.**

B-eba expansion cards connect external devices such as PCs, smartphones and tablets to a Bft operator and a Clonix receiver or connect multiple Bft products in a U-Link network. These accessories integrate with U-Link technology and with Bluetooth, Z-Wave and TCP/IP protocols as well as with the RS485 serial interface. A device that demonstrates exactly what Bft means by interconnectivity.



### Clonix U-Link

**Allows you to connect legacy products and non-Bft products to U-Link systems.**

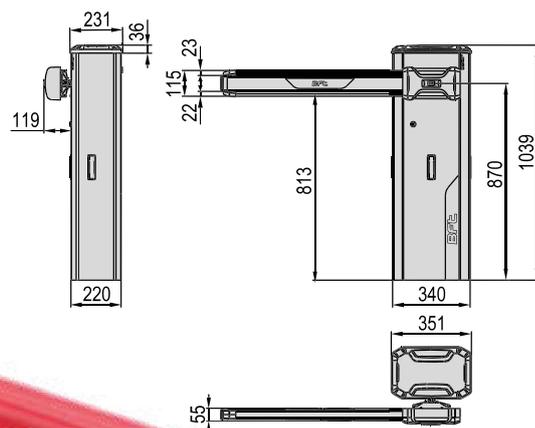
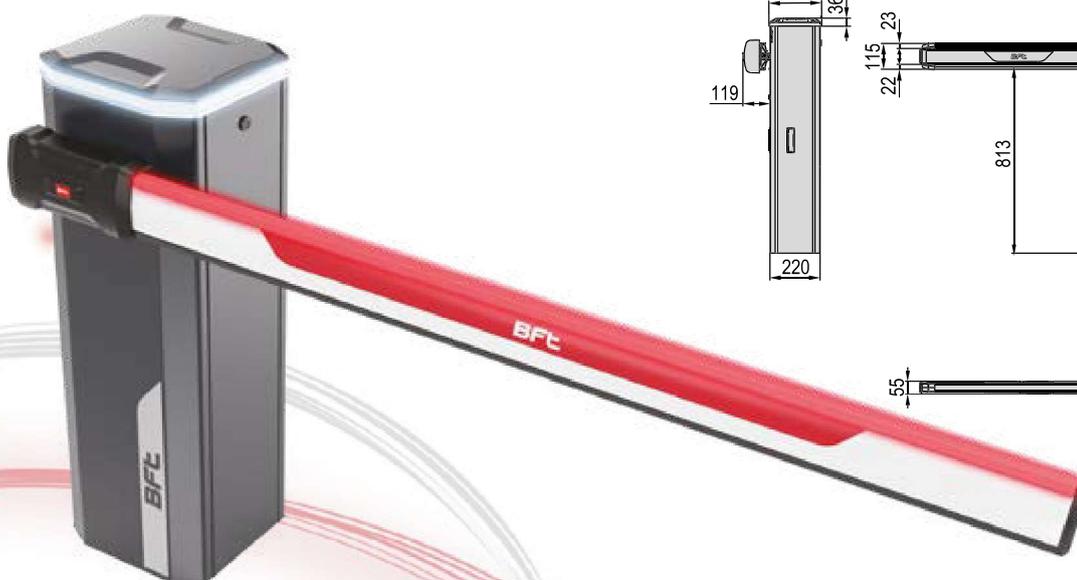
Non-native U-Link Bft operators or products affiliated to other brands: can they connect to U-Link? Yes, thanks to the Clonix receivers. Limitless accessories.



# MAXIMA ULTRA 36

## Automatic barrier for constant use

· Electromechanical barrier with inverter technology and three-phase asynchronous motor for high frequency use, developed and designed for a wide range of operating conditions such as large car parks, motorway toll booths with very heavy traffic levels and industrial facilities. Entrance width can be configured using electronic control unit. Mechanical crankshaft movement which can deliver fluidity of movement to the bar, whilst also controlling soft opening and closing. The same mechanism guarantees a high degree of anti-vandalism protection for the gear motor. With U-Link protocol for integration with Parking Management or Building Management systems. Thanks to the RGB illuminated cap (optional), the barrier is able to communicate via self-diagnostics any problems and indicate them with a colour code without accessing the control unit. EX4 version available for automatic opening in the event of a power cut.



### FEATURES

- Constant use
- Oil bath gear motor
- One model for openings up to 6 m
- Three-phase asynchronous motor with inverter
- Control unit under the cap, compatible with U-Link
- Three access points for simplified maintenance
- Anti-vandalism protection thanks to crankshaft system

### DIMENSIONS

MODEL	a	b	c	d	e	f	g
MAXIMA Ultra 36	120	110	338	45	493	870	338

### TECHNICAL DETAILS

	MAXIMA ULTRA 36	MAXIMA ULTRA 36 XL	MAXIMA ULTRA 36 EX4
Opening	2 - 6 m	2 - 6 m	2 - 4 m
Frequency of use	20,000 movements/day (@3 m)	5,000 movements/day (@6 m)	20,000 movements/day (@3 m)
Opening and closing	0.7 - 3.9 sec.	0.7 - 3.9 sec.	1 - 4 sec.
Control unit	CSB Xtreme	CSB Xtreme	CSB Xtreme
Motor type	three-phase asynchronous	three-phase asynchronous	three-phase asynchronous
Gearbox type	oil bath	oil bath	oil bath
MCBF	7,000,000 movements	7,000,000 movements	7,000,000 movements
Motor power supply	220 V	220 V	220 V
Opening during power cut	-	-	EX4
Slowdown of movements	during opening and closing	during opening and closing	during opening and closing
Impact reaction	encoder	encoder	encoder
Locking	non-reversible mechanics	non-reversible mechanics	using levers
Unlocking	Manual, inside the structure	Manual, inside the structure	spontaneous in a power cut
Environmental conditions	-40°C to +60°C	-40°C to +60°C	-40°C to +60°C
Protection rating	IP55	IP55	IP55



This document was created with the Win2PDF "print to PDF" printer available at <http://www.win2pdf.com>

This version of Win2PDF 10 is for evaluation and non-commercial use only.

This page will not be added after purchasing Win2PDF.

<http://www.win2pdf.com/purchase/>