

Technical data

Type C30 | Type C31

Marking to 94/9/EC	Ⓔ II 2 G Ex d IIC T6 / Ⓔ II 2 D IP67 T 85 °C
EC-Type Examination Certificate	LOM 02 ATEX 2037 X
IECEX Certificate of Conformity	IECEX BK1 07.0026
Marking accd. to IECEx	Ex d IIC T6 Ex tD A21 IP67 T85 °C
Permissible ambient temperature	-20 °C to +55 °C
Rated voltage	690 V
Rated current (max.)	C30: 40 A / C31: 61 A
Insulation class	I
Degree of protection accd. EN 60529	IP67
Enclosure material	light alloy
Enclosure colour	natural finish

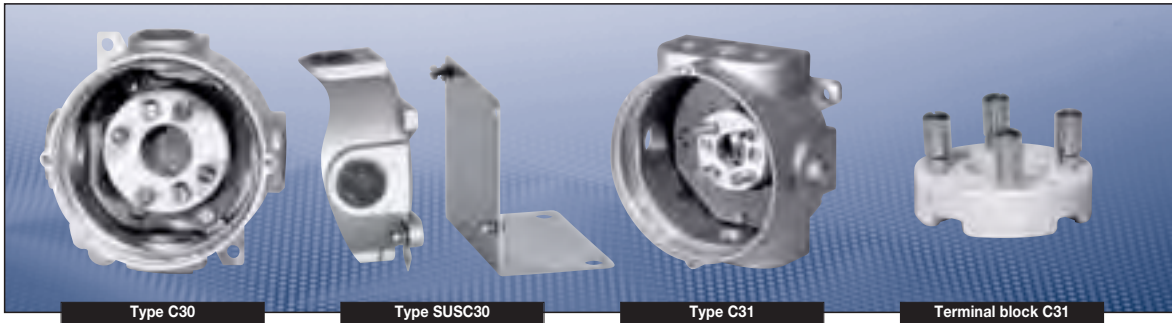
Type C30

Connecting terminals	up to 6 mm ²
Weight	approx. 0.8 kg (empty)
Max. number of drillings/cable glands	4
Terminal mounting space on the terminal rail	45 mm

Type C31

Connecting terminals	up to 10 mm ²
Weight	approx. 1.3 kg (empty)
Max. number of drillings/cable glands	8
Terminal mounting space on the terminal rail	82 mm

Ex-d terminal box



Ordering details

Type	Thread ISO 7/1 ¹⁾	Order No.
Type C30		
C30 T1	3 x 1/2"	NOR 000 001 151 181
C30 T2	3 x 3/4"	NOR 000 001 151 199
C30 X1	4 x 1/2"	NOR 000 001 151 206
C30 X2	4 x 3/4"	NOR 000 001 151 214
Type C31		
C31 T1	3 x 1/2"	NOR 000 111 150 001
C31 T2	3 x 3/4"	NOR 000 111 150 002
C31 T3	3 x 1"	NOR 000 111 150 003
C31 X1	4 x 1/2"	NOR 000 111 150 004
C31 X2	4 x 3/4"	NOR 000 111 150 005
C31 X3	4 x 1"	NOR 000 111 150 006

Accessories

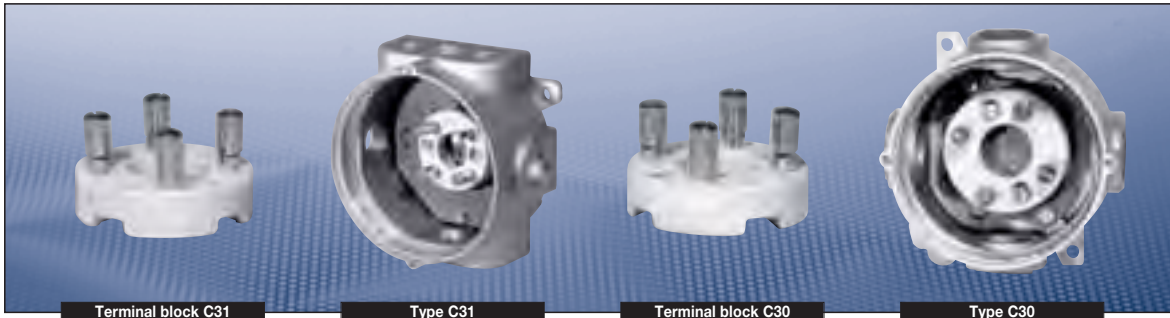
Build-in components type C30			
Type	Version	No. of terminals	Order No.
BC 30	Mounting plate with pillar terminals 4 x 4 mm ²	4 x Ex-e ²⁾	NOR 000 001 151 222
PBPD 30	Terminal rail DIN 46877	Mounting rail	NOR 000 000 115 314
PC 30	Mounting plate without terminals	-	NOR 000 000 115 302

Mounting angel for housing fixing type C30	
Type	Order No.
SUSC 30	NOR 000 000 115 311

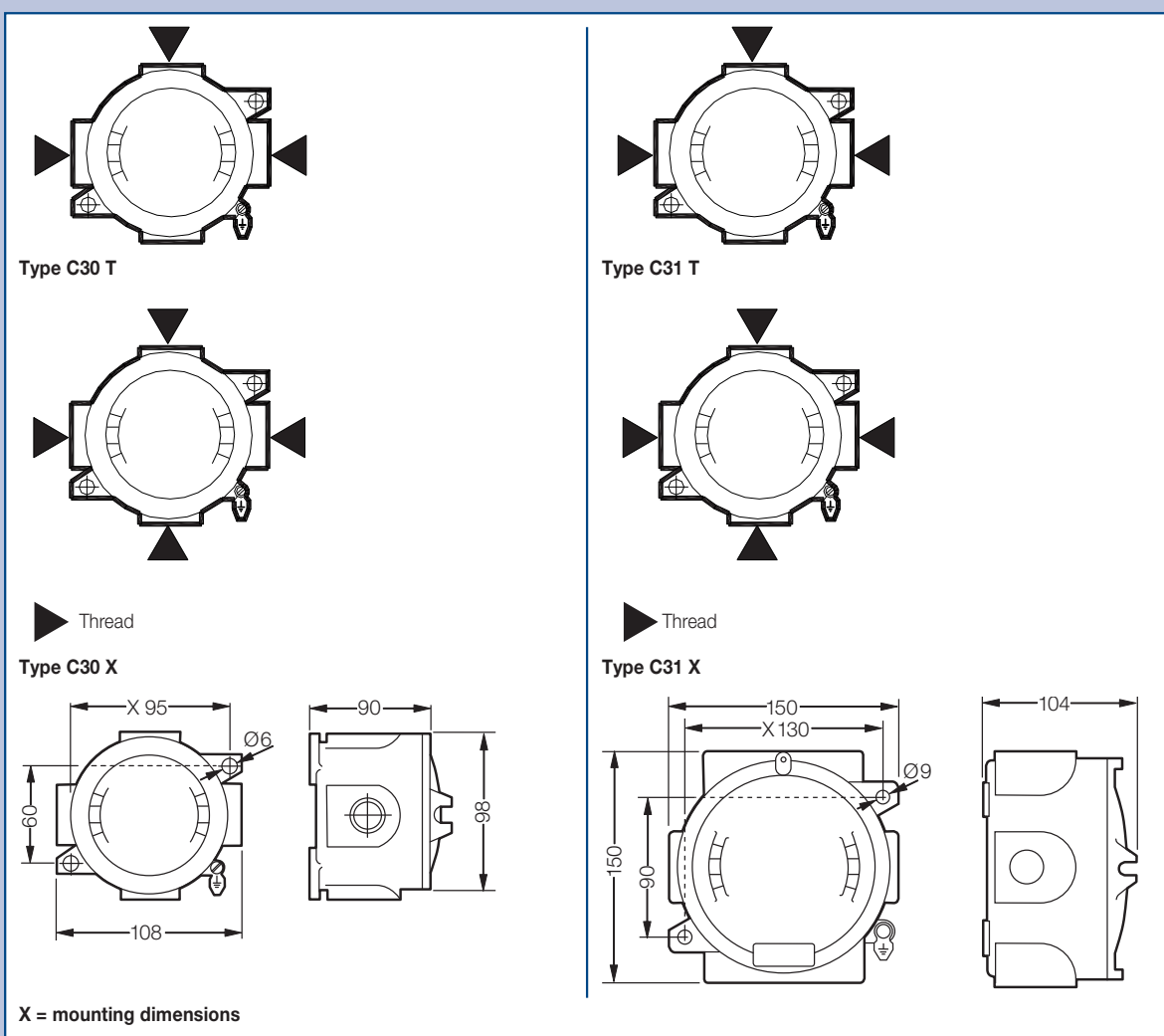
Build-in components type C31			
Type	Version	No. of terminals	Order No.
BC31	Mounting plate with pillar terminals	4 x 4 mm ² ²⁾	NOR 000 111 150 009
P C31	Mounting plate without terminals	-	NOR 000 000 115 306
PBPD 31	Terminal rail DIN 46877	-	NOR 000 000 115 015

¹⁾ Other threads on request

²⁾ 4 x 4 mm² multi-wire or 2 x 6 mm² solid



Dimension drawing



Dimensions in mm