

KPR-SCE Interface Relay

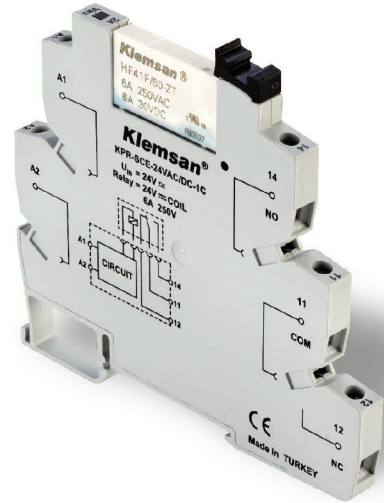
Klemmsan[®]

LEADER AT HOME, AMBITIONS WORLDWIDE



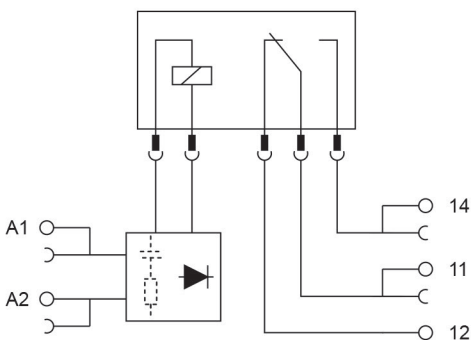
- 12/24/110 and 220VAC/DC models • Easy installation with cross connection
- Width 6.2 mm • LED indicator • Easy dislocation of the relay • Long switching life

Type	Input Type	Order No
KPR-SCE-24VAC/DC-1C	24V AC/DC	270 810
KPR-SCE-48VAC/DC-1C	48 VAC/DC	270 820
KPR-SCE-60VAC/DC-1C	60 VAC/DC	270 830
KPR-SCE-115VAC/DC-1C	115V AC/DC	270 840
KPR-SCE-230VAC/DC-1C	230V AC/DC	270 850

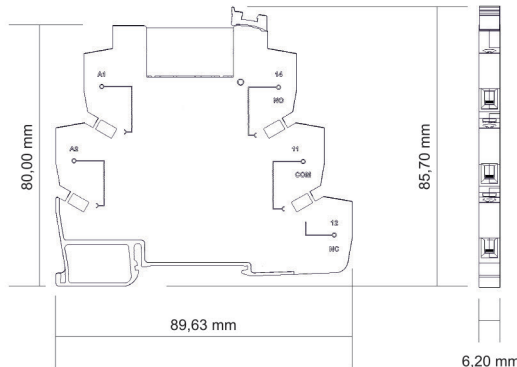


Contact type	1 CO
Contact material	AgSnO ₂
Contact rating (cosφ=1)	6A 250VAC / 30VDC
Max. switching voltage	400VAC / 125VDC
Max. switching current	6A
Max. switching power	1500VA / 180W
Mechanical life	1 x 10 ⁷ operations
Electrical life (UL approval)	(NO) 3 x 10 ⁴ operations (85°C) (NC) 1 x 10 ⁴ operations (85°C)
Isolation resistance	1000MΩ (500VDC)
Dielectric strength	
between relay coil and contacts	4000VAC 1 minute
between relay contacts	1000VAC 1 minute
Response time (at nominal voltage)	10msn max
Release time (at nominal voltage)	5msn max
Humidity	%5 .. %85 (non-condensing)
Operating temperature	-40°C .. +85°C
Input voltage (U _N)	24V, 115V, 230V (AC/DC)
Response voltage	%80 x U _N
Release voltage	%20 x U _N
Relay type (coil)	
24V (AC/DC)	24VDC, 170mW
115V, 230V (AC/DC)	60VDC, 210mW
Relay indicator	Green LED
Connection type	Screw terminals
Max. cable cross-section	2.5mm ²
Max. torque	0.4Nm
Mounting type	Rail mounted
Mounting rail	MR 35 x 7.5 / MR 35 x 15
Packaging unit	10 pcs

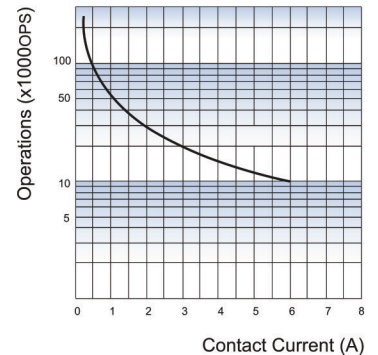
Block Diagram



Dimensions



Endurance Curve



Test conditions:

NO, AgNi, Resistive load, 250VAC,
Flux proofed, Room temp., 1s on 9s off.