

BAYT 980

Oil-Hydraulic barrier for traffic control of from 3 to 8 metres wide

INOX *Stainless Steel and Painted Versions*

Version with aluminium fencing

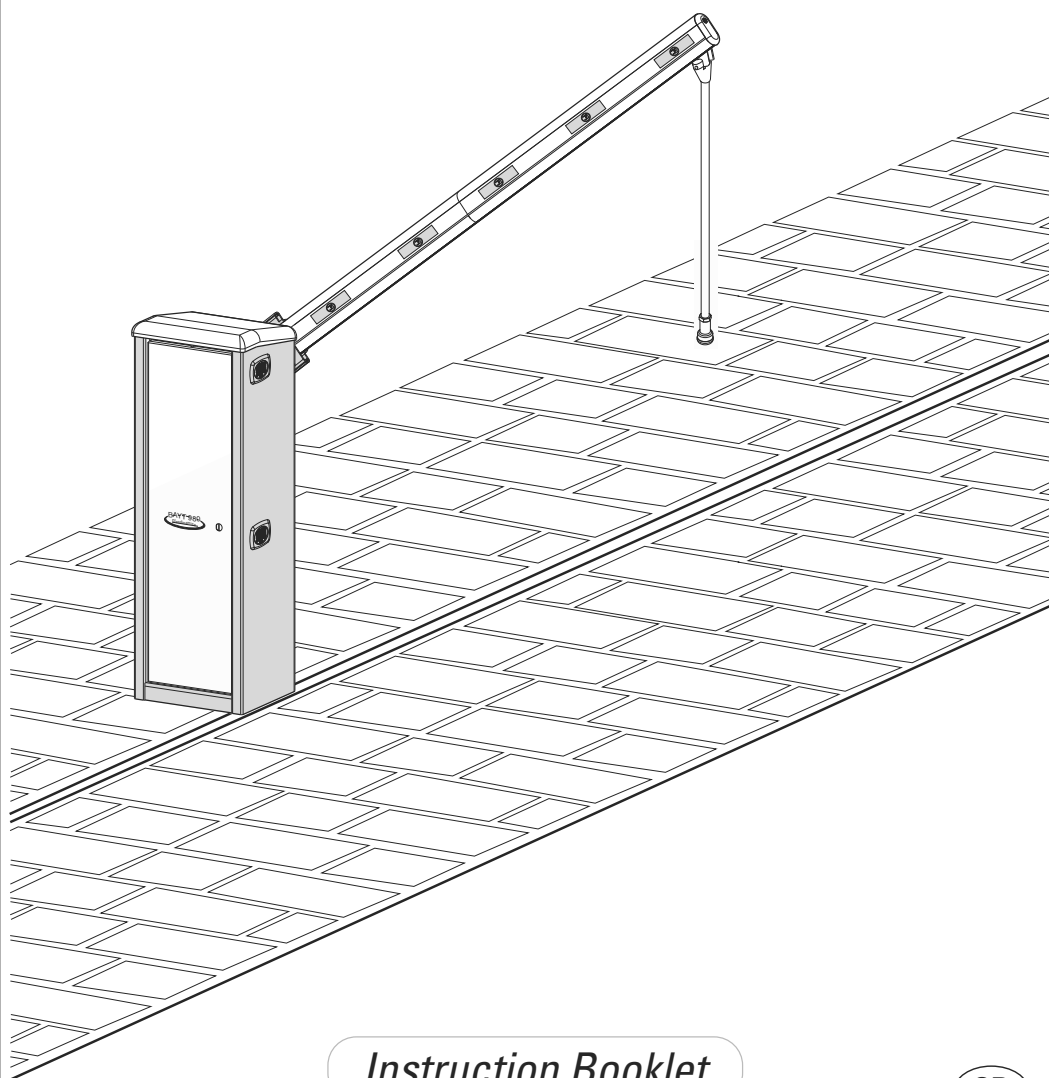
Version with cabled hinged road barrier beam

Folding or fixed leg with yoked pedestal

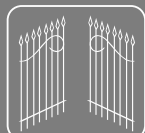
Fully convertible to right and left versions

Fixed braking when opening and adjustable when closing

Road barrier beams set up for flashing LED lamps



CE



FADINI[®]
the gate opener
Made in Italy

Instruction Booklet

GB

1. **Miri 4** flasher with **Birio A8** aerial (optional)
2. Housing **cabinet cover**
3. Accessory control **box** with **Elpro 980** unit
4. **Cos 982** hydraulic control unit group with hydraulic piston and oil reservoir
5. Barrier **cabinet** - right hand version
6. **Cabinet door switch** for general electrical power **disconnection**
7. **Anchor** plate with anchor bolts
8. **Beam** arm in **R532** anodised aluminium, made up of two modules: 2.10 m + 3.20 m
9. **Folding leg** (optional)
10. **Fixed pedestal** with **yoke** (optional)

Bayt 980
Hydraulic

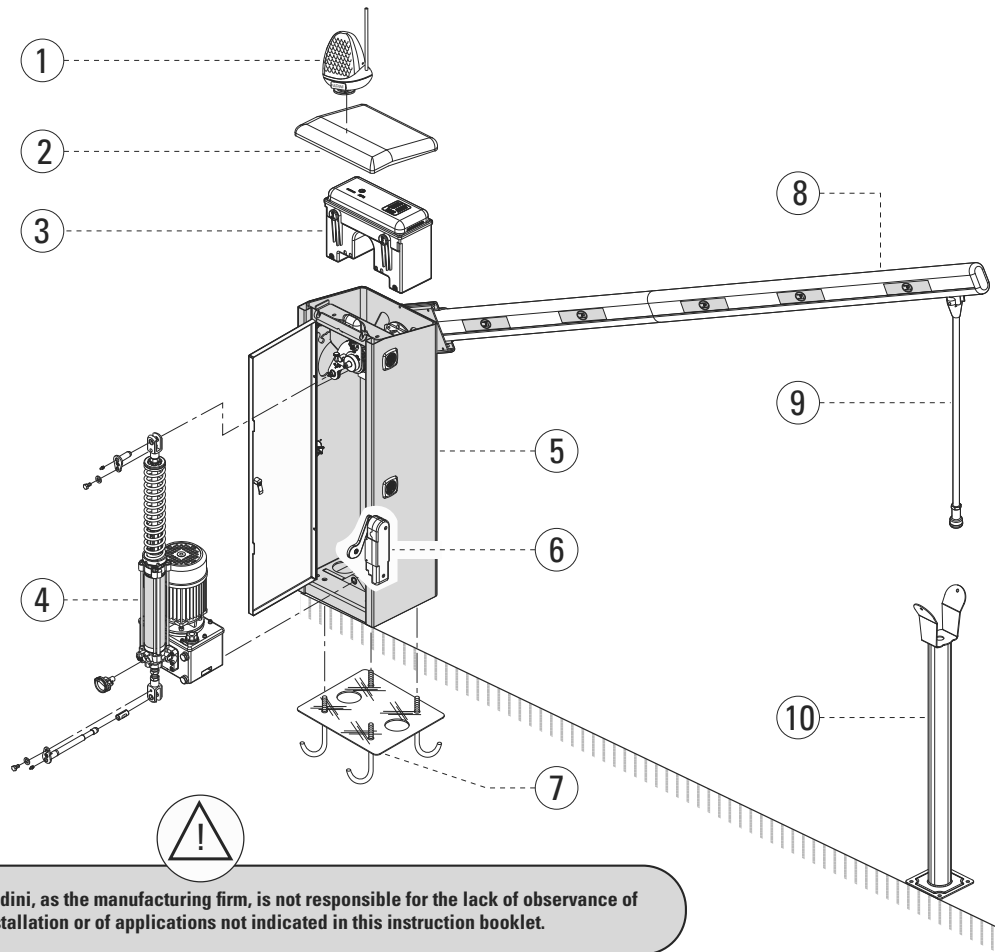


FIG. 1



The firm **Meccanica Fadini**, as the manufacturing firm, is not responsible for the lack of observance of proper standards of installation or of applications not indicated in this instruction booklet.

INSTRUCTIONS TO BE FOLLOWED BEFORE INSTALLATION OF THE AUTOMATED MECHANISM

FOR PERFECT APPLICATION AND FUNCTION OF THE BAYT 980 IT IS RECOMMENDED THAT THE FOLLOWING EXPLANATION POINTS AND THEIR RESPECTIVE DRAWINGS FOUND IN THIS INSTRUCTION BOOKLET ARE FOLLOWED.

IMPORTANT: THE ENTIRE INSTALLATION MUST BE PERFORMED BY QUALIFIED TECHNICAL PERSONNEL, WITH RESPECT FOR THE EN 12453 - EN 12445 SAFETY REGULATIONS AND MACHINE DIRECTIVE 2006/42/CE. CARRY OUT A CAREFUL RISK ANALYSIS ACCORDING TO THE REGULATIONS IN FORCE.



PRELIMINARY WARNINGS FOR SAFETY AND THE PROPER OPERATION OF THE SYSTEM

Before proceeding to the actual installation of the automated mechanism in the ground it is necessary to verify as follows:

- The installation, inspection, testing, risk analysis and following maintenance procedures must be performed by qualified and authorised technical personnel.
 - This automated mechanism has been designed for the exclusive use with the minimum required safety, signalling and command accessories, which are indicated in this booklet.
 - Any other application not expressly indicated in this booklet could bring about malfunction or damages to things or persons.
 - Check and verify the consistency of the terrain so as to avoid future settling or deformation in the area in which the automated mechanism is to be installed.
 - Check and verify in the immediate vicinity of the site and underneath it that there are no service conduits that could interfere with the necessary excavations in the ground.
 - Verify that, in the immediate vicinity and underneath the site of the installation of the accessories, there are no sources of electromagnetic disturbances, such that the magnetic/electromagnetic fields of any possible metallic mass detection loops and of all the system command and control electronics for the device might be masked or unduly influenced.
 - Check and verify that the electrical mains supply lines powering the electrical motor are 230V±10% at 50Hz.
 - Electrical power supply for the **Bayt 980** must be delivered by way of electrical cables with a section of 1 mm² for a maximum distance of 50 metres. For distances longer than 50 metres it is recommended that cables with sections suitable for a proper standard of installation be used.
 - During the entire movement of the barrier beam there must be no obstacles or aerial contacts that obstruct its movement.
 - For any necessary substitutions of elements or accessories, utilise only original components indicated by the manufacturing firm.
 - All of the packing material and other waste must be disposed of through specialised firms. Do not dispose of toxic substances into the environment.
- The Meccanica Fadini Company is not responsible for any damages brought about by improper utilisation or any use that is not specifically indicated in this booklet. Furthermore, it will not respond for malfunctions due to the use of materials or accessories not indicated by the same firm.
- The manufacturing firm reserves the right to bring about modifications to this booklet without notice.
 - **All of the drawings and figures in this booklet are purely indicative and may not represent a real installation. It is the job of the installer to verify them and adapt them to the actual requirements.**



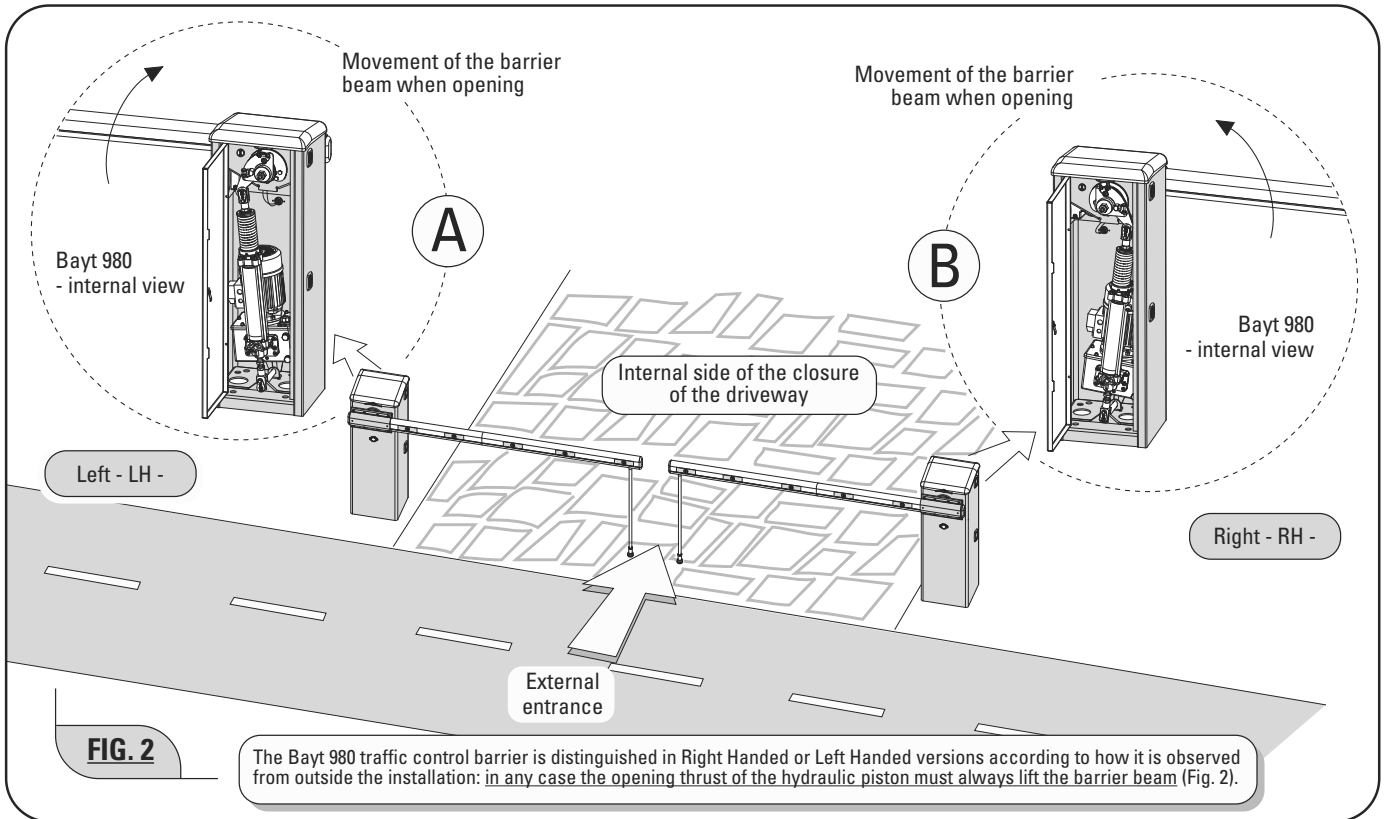


FIG. 2

The Bayt 980 traffic control barrier is distinguished in Right Handed or Left Handed versions according to how it is observed from outside the installation: in any case the opening thrust of the hydraulic piston must always lift the barrier beam (Fig. 2).

INSTALLATION OF THE ANCHORING PLATE IN THE GROUND

The first operation to be carried out is the cementing of the **Anchor Plate** into the ground on a levelled surface obtained through the pouring of a cement slab, paying attention that the longer side corresponds to the cabinet door side. It is necessary then to arrange one or two **flex conduit tubes** with a 50mm diameter, which will enable the later passage of the electrical service cables (Electrical powering of the system and for the command and safety accessories), as illustrated in Fig. 3.

1. Cabinet door
2. Bayt 980 housing cabinet
3. Installed anchor plate
4. Conduit for the cables for the installation of a possible second Bayt 980 barrier or for photocells attached to the fixed pedestal with yoke.
5. Base foundation in concrete 500x500x600 mm
6. ø50mm conduit for service cabling
7. Level both sides
8. Four M14 anchor bolts that extend for 65 mm

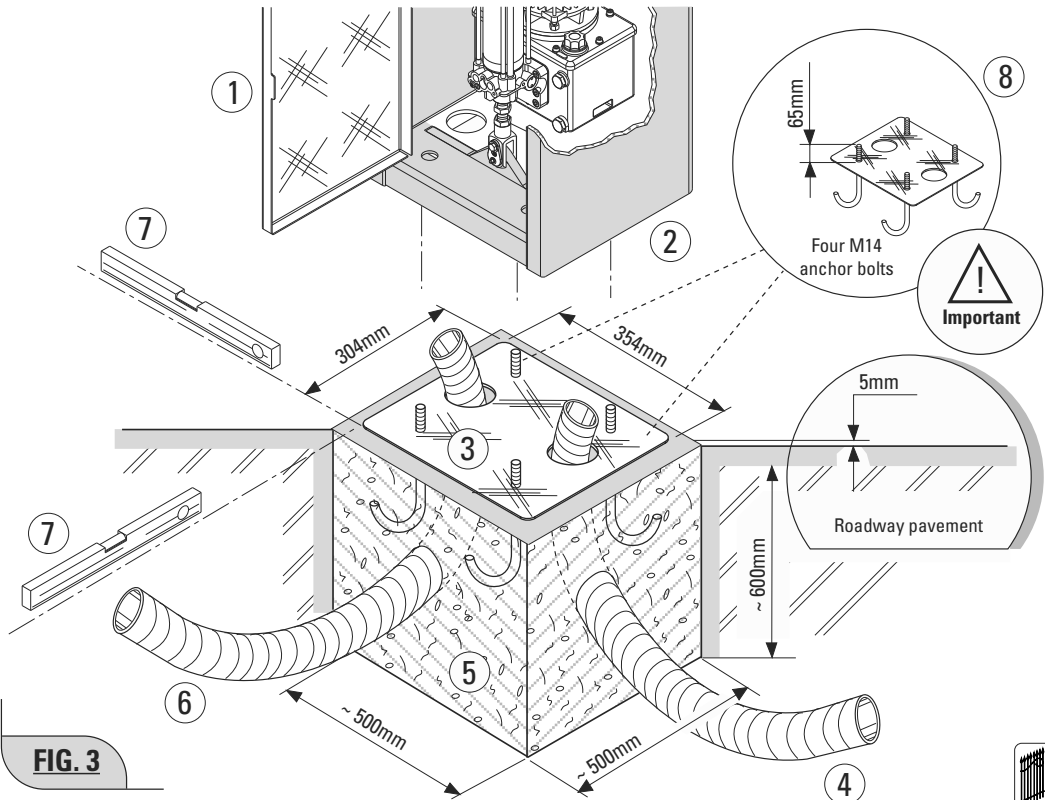


FIG. 3

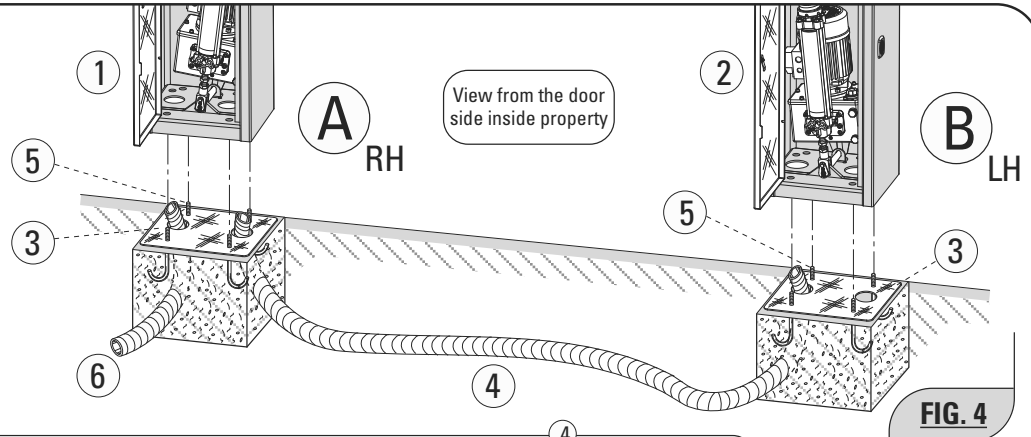


Important: screw down the entire length of the threading of the anchor bolts to the anchor plate before cementing it in its site.
Important: the anchor plate must be perfectly levelled before it is cemented using a level in both directions. Furthermore, it is necessary that it be **raised by 5 mm** from the level of the roadway pavement (Fig.3).



FADINI
the gate opener
Made in Italy

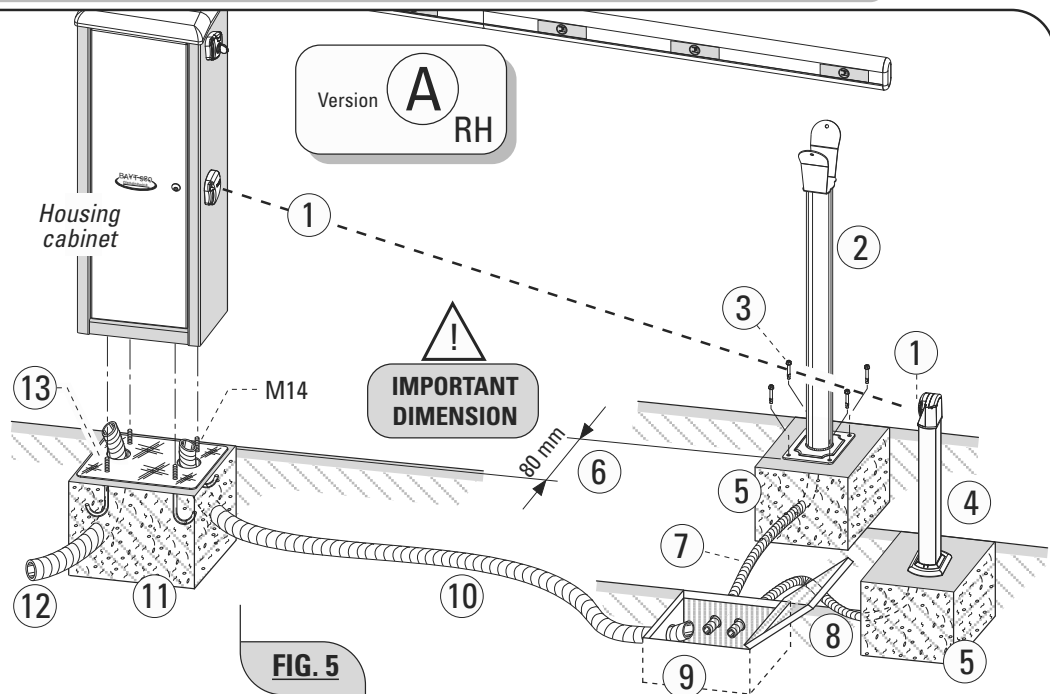
1. Right handed - **RH** - Bayt 980 Hydraulic Barrier (seen from outside)
2. Left handed - **LH** - Bayt 980 Hydraulic Barrier (seen from outside)
3. Anchor plate 304 x 354mm
4. $\varnothing 50$ mm conduit for connection of cabling between the two barriers
5. M14 anchor bolts - 4 pcs. for each barrier
6. $\varnothing 50$ mm conduit for service cabling



For installations that require two Bayt 980 roadway barriers it is necessary to arrange underground electrical conduit for communication between the two housing cabinets, for the connection of the photocells or other accessories for the service cabling (Fig. 4).

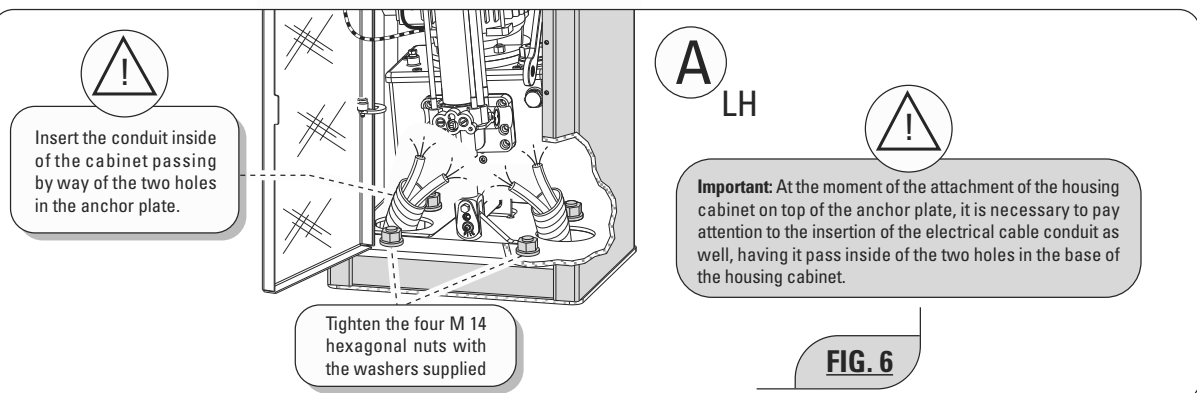
INSTALLATION OF THE FIXED PEDESTAL WITH YOKE

1. One pair of Fit 55 photocells
2. Fixed pedestal with yoke
3. Anchor bolts
4. 0.54 m Column
5. 0.30 x 0.30 x 0.20 m Concrete block for photocell
6. Important dimension 80 mm
7. $\varnothing 20$ mm flex conduit for connection of cabling for fixed pedestal with yoke for the electromagnet
8. $\varnothing 20$ mm flex conduit for photocell connection cabling
9. Derivation well
10. $\varnothing 50$ mm flex conduit for barrier and accessories connection cabling
11. 0.5 x 0.5 x 0.6 m Concrete block
12. $\varnothing 50$ mm flex conduit for electrical power supply cabling
13. 0.304 x 0.354 m Anchor plate



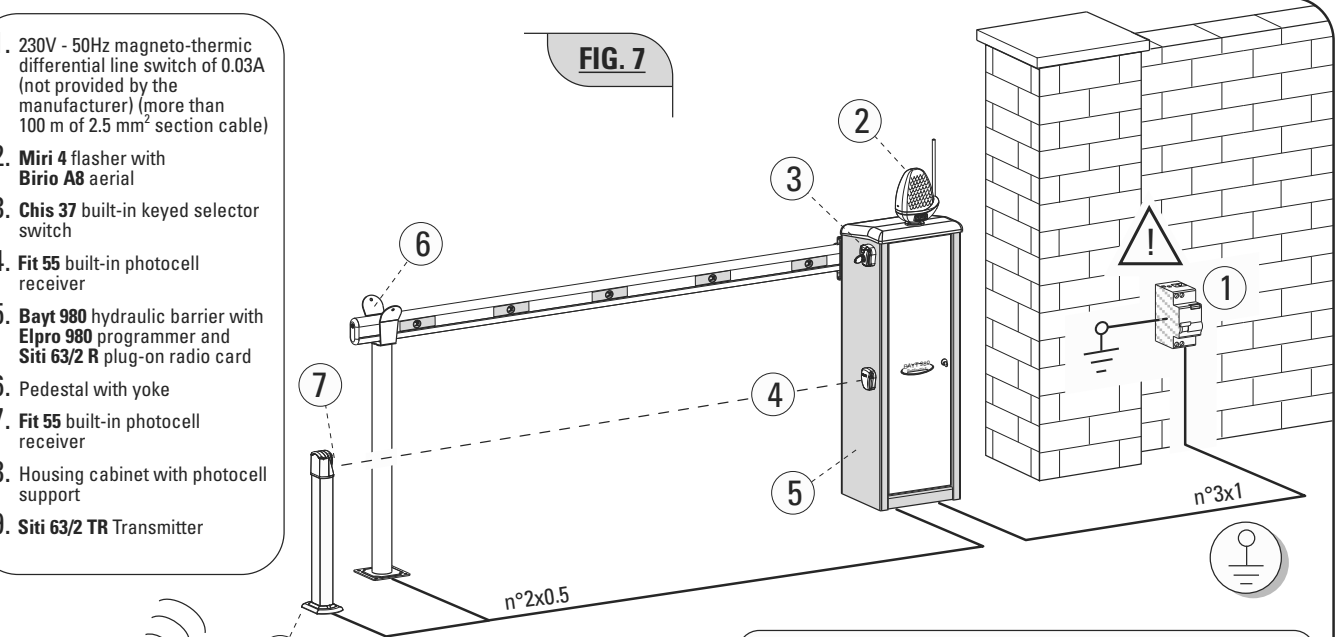
For the installation of the "Fixed pedestal with yoke" - 2 - it is necessary to arrange a service conduit for the passage of electrical cabling for the photocells or for a possible application of the electromagnet (optional) anchoring the "Aluminium Barrier Beam" between the barrier and the fixed pedestal with yoke - 2 -; this operation must be performed after having set the Bayt 980 foundation plate at a distance determined by the length of the barrier beam from the fixed pedestal - 2 - 80 mm out of line from the corner of the housing cabinet base (Fig. 5).

Once the **Anchor Plate** Anchor Plate has been well set in the ground (it is necessary to wait until the concrete has set), the Bayt 980 **housing cabinet** may be installed and then tighten the four **M14 hexagonal nuts** securely with their relative **washers** (screwing them down tight on the anchor bolts extruding from the base of the cabinet) as illustrated in Fig. 6.



1. 230V - 50Hz magneto-thermic differential line switch of 0.03A (not provided by the manufacturer) (more than 100 m of 2.5 mm² section cable)
2. Miri 4 flasher with Birio A8 aerial
3. Chis 37 built-in keyed selector switch
4. Fit 55 built-in photocell receiver
5. Bayt 980 hydraulic barrier with Elpro 980 programmer and Siti 63/2 R plug-on radio card
6. Pedestal with yoke
7. Fit 55 built-in photocell receiver
8. Housing cabinet with photocell support
9. Siti 63/2 TR Transmitter

FIG. 7



Important: THE ENTIRE SYSTEM MUST BE CONNECTED TO EARTH



Important: before carrying out any procedure on the PCB, disconnect the electric power supply mains. It is furthermore recommended that the booklet "Safety Regulations" made available by Meccanica Fadini be examined thoroughly.

Important: all of the electrical connections and the cabling must be carried out to standard, with respect for the proper rules of installation, according to the safety regulations in force (Machine Directive 2006/42/CE) and must be performed by qualified technical personnel, formulating a complete **risk analysis** and adopting suitable safety measures in the **filling out of the Technical File**, according to the **EN 12445 ed EN 12453** Regulations.

- **For the Electrical power supply of the electrical motor and the flasher**, electrical cables with a section of 1 mm² will be utilised for a maximum distance of 50 metres. For distances longer than 50 metres it is recommended that cables with sections suitable for a proper standard of installation be used. For all of the accessories external to the electrical control panel, electrical cables with wires of a section of 0.5 mm² may be utilised.

HOW TO MAKE THE LEFT HANDED BAYT INTO A RIGHT HANDED BAYT AND VICE VERSA

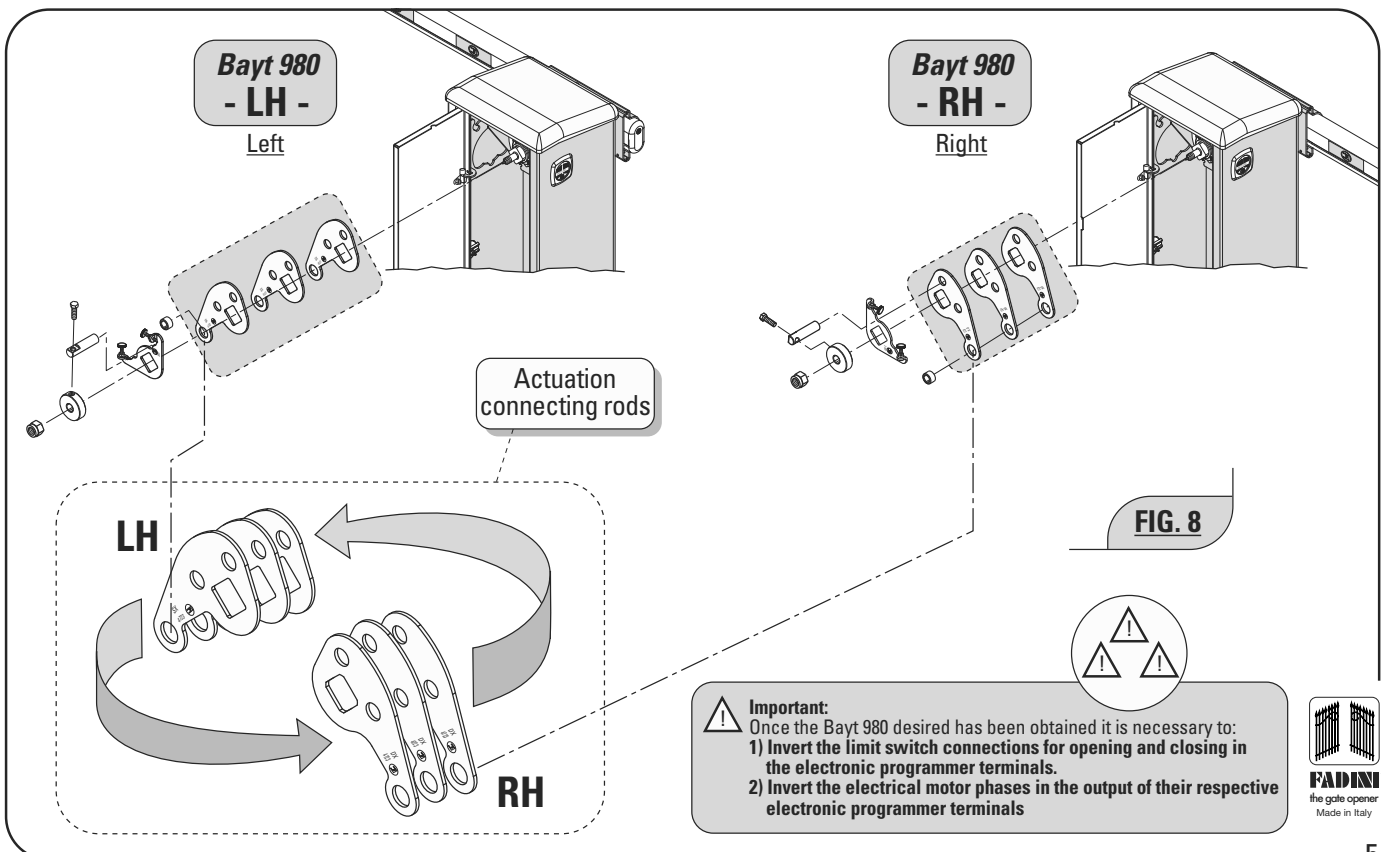
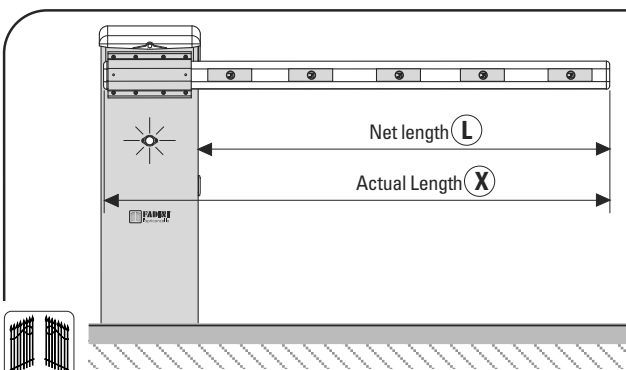
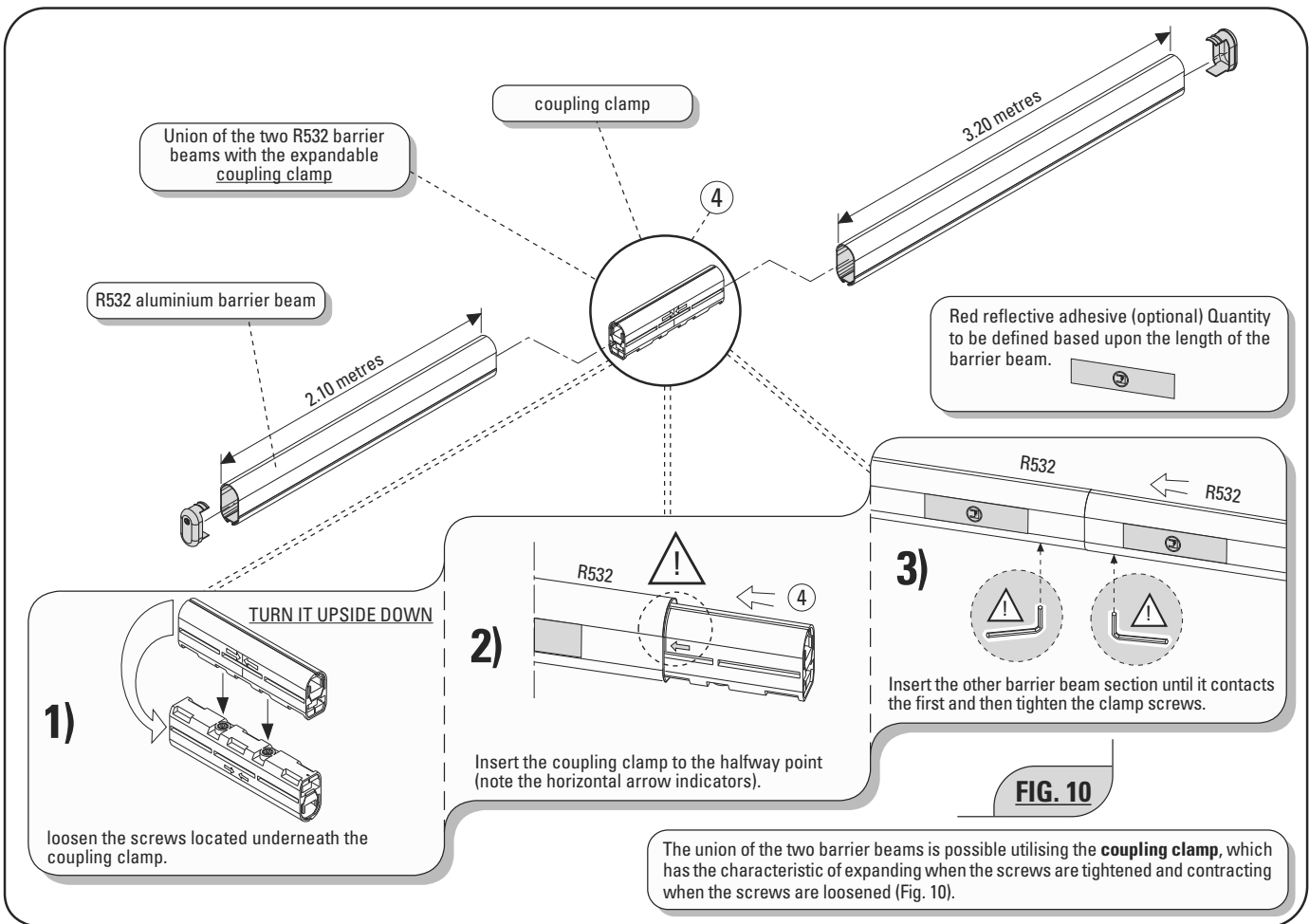
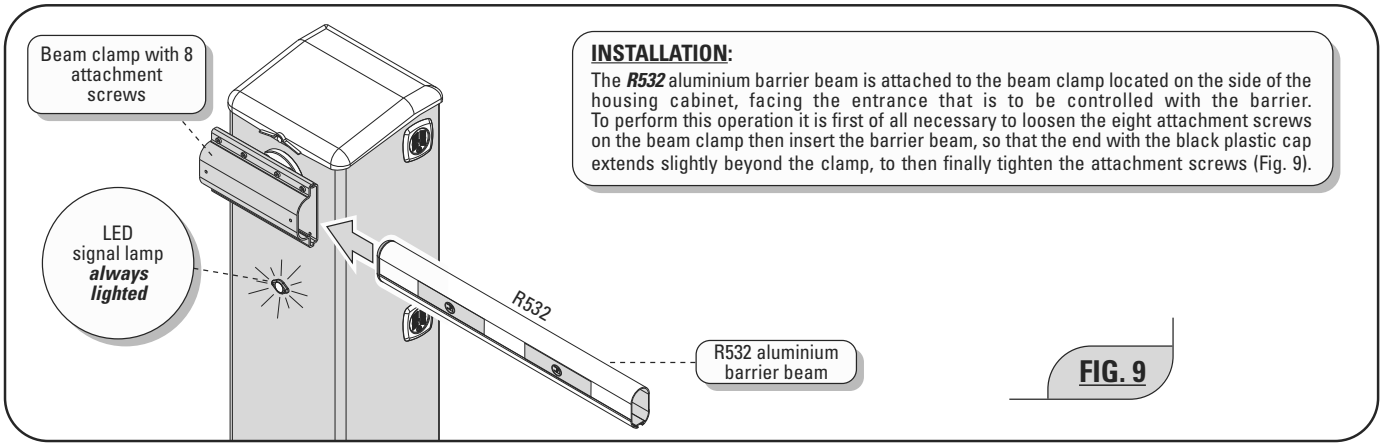


FIG. 8



Important: Once the Bayt 980 desired has been obtained it is necessary to:
 1) Invert the limit switch connections for opening and closing in the electronic programmer terminals.
 2) Invert the electrical motor phases in the output of their respective electronic programmer terminals



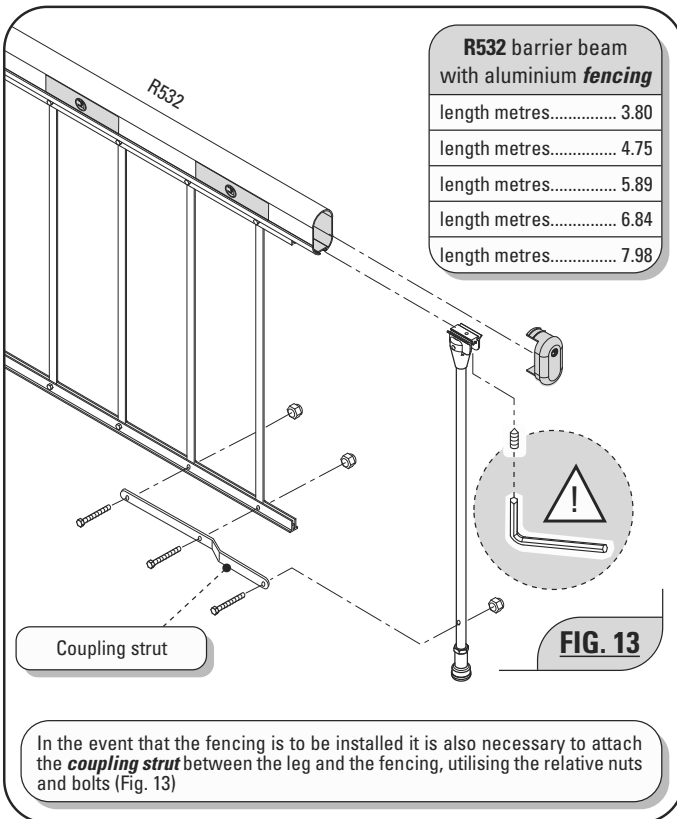
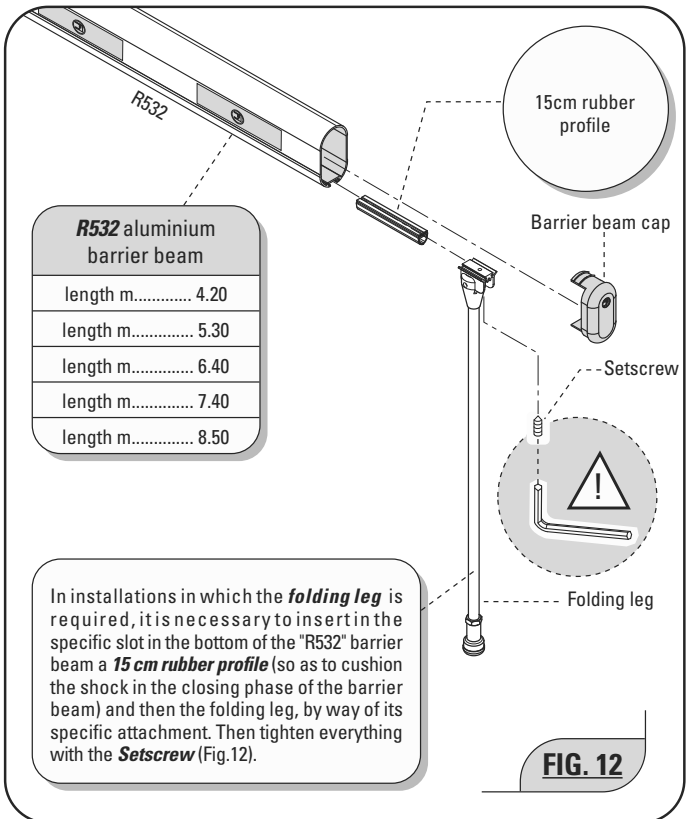


	Actual length maximum dimensions (metres) (X)	Net length for the roadway (metres) (L)
Barrier beam	3.20	2.85
"	2.10 + 2.10 = 4.20	3.85
"	3.20 + 2.10 = 5.30	4.95
"	3.20 + 3.20 = 6.40	6.05
"	3.20 + 2.10 + 2.10 = 7.40	7.05
"	3.20 + 3.20 + 2.10 = 8.50	8.15

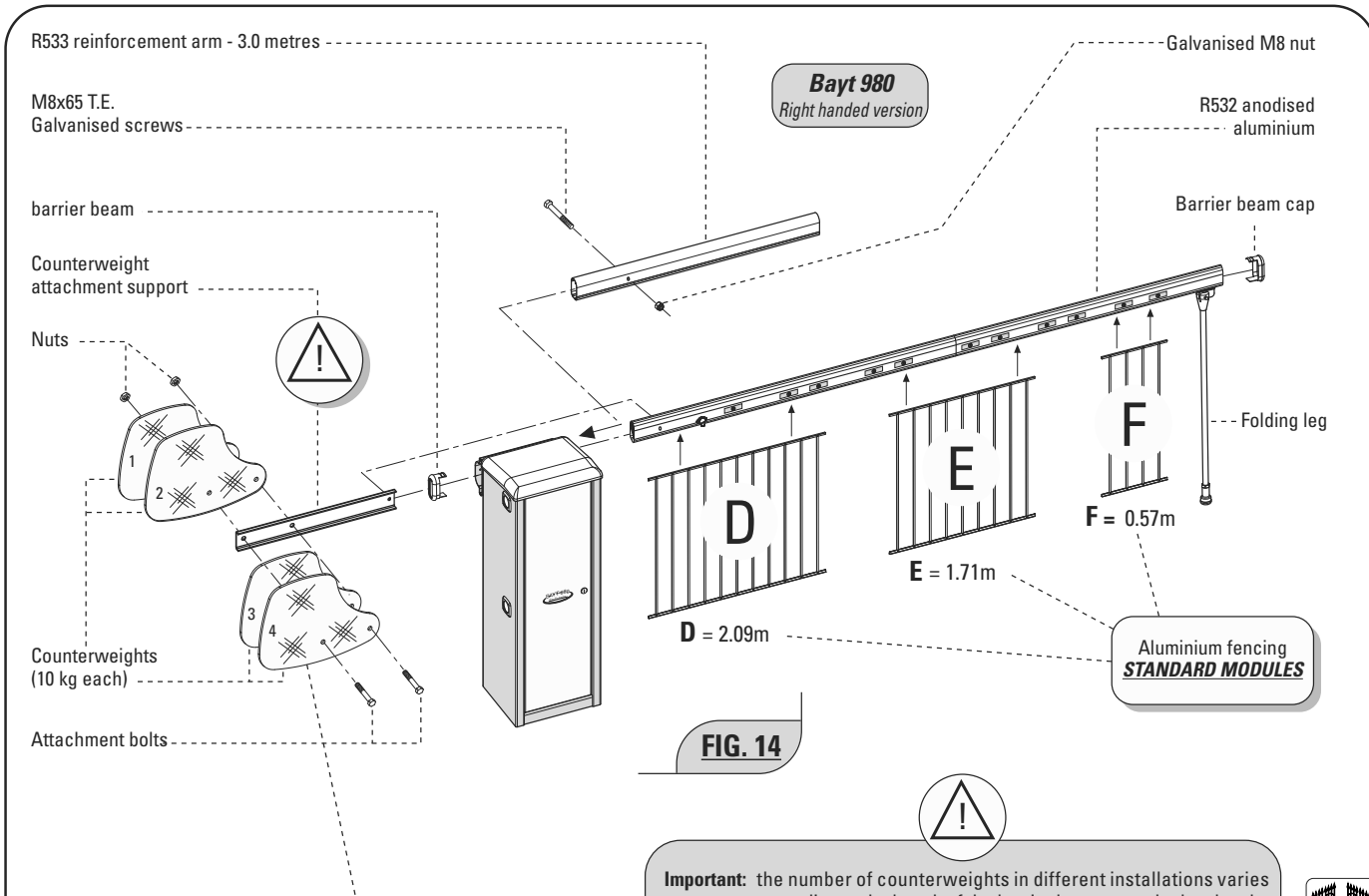
POSSIBLE COMBINATIONS:
The R532 barrier beam is provided in two modules: of **2.10 metres** and of **3.20 metres**, with the possibility of making up barrier beams of different lengths, as represented in the table in Fig.11.



FIG. 11



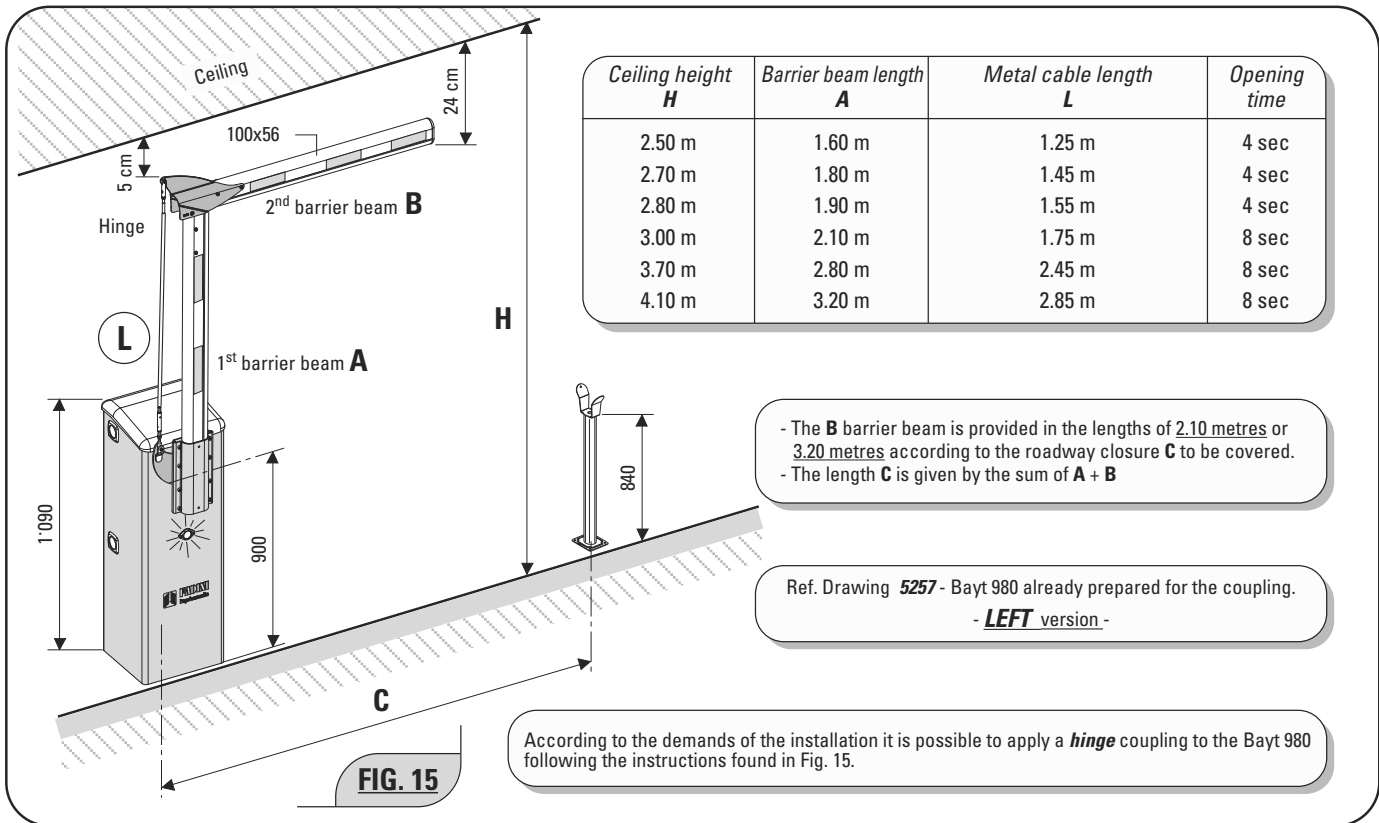
INSTALLATION OF COUNTERWEIGHTS ON THE BAYT 980



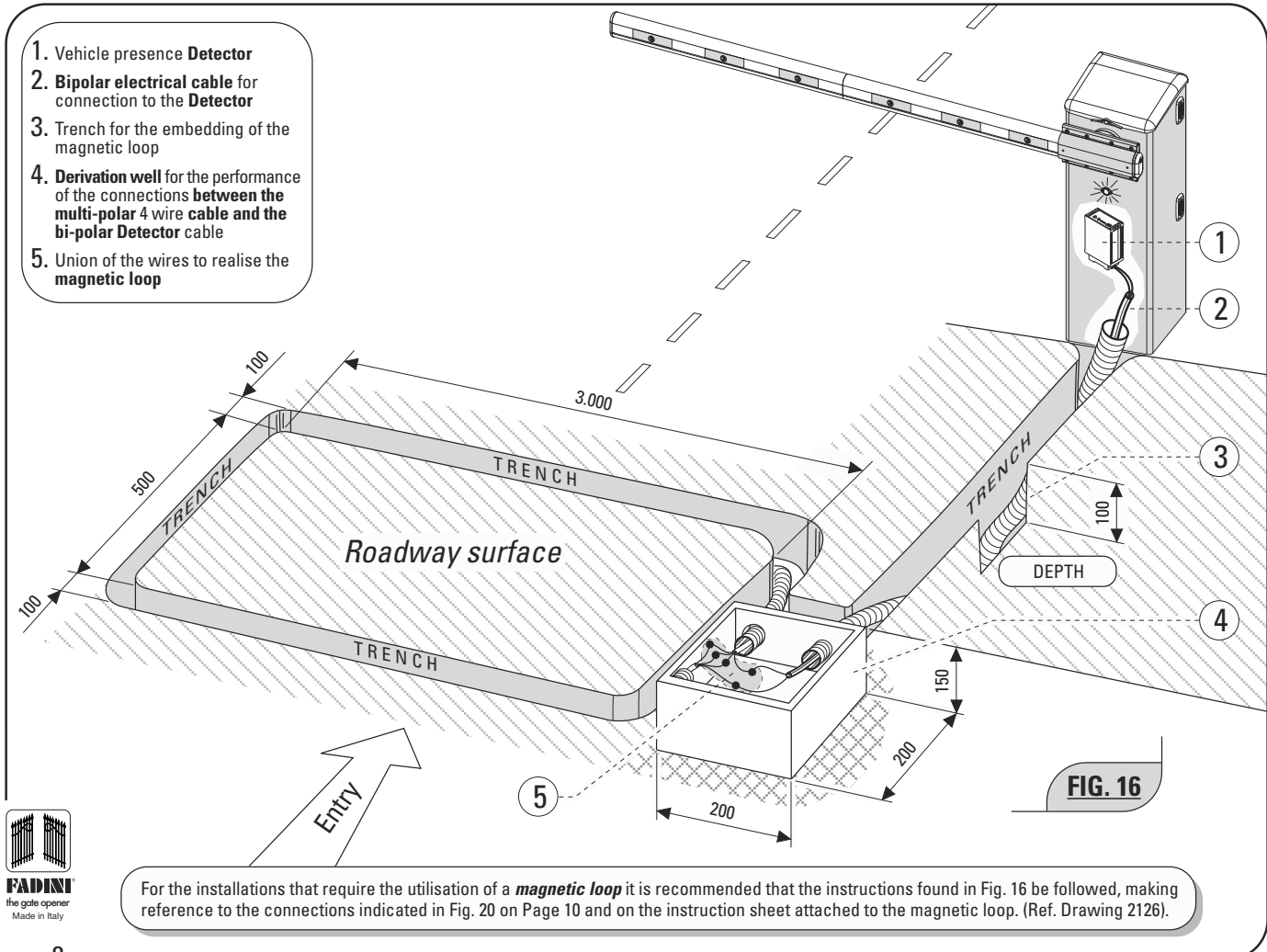
In the Bayt 980 installation with barrier beams that are 6.40 metres in length or longer with fencing, it is necessary to also attach **counterweights** with nuts, bolts and attachment support. (Fig. 14).

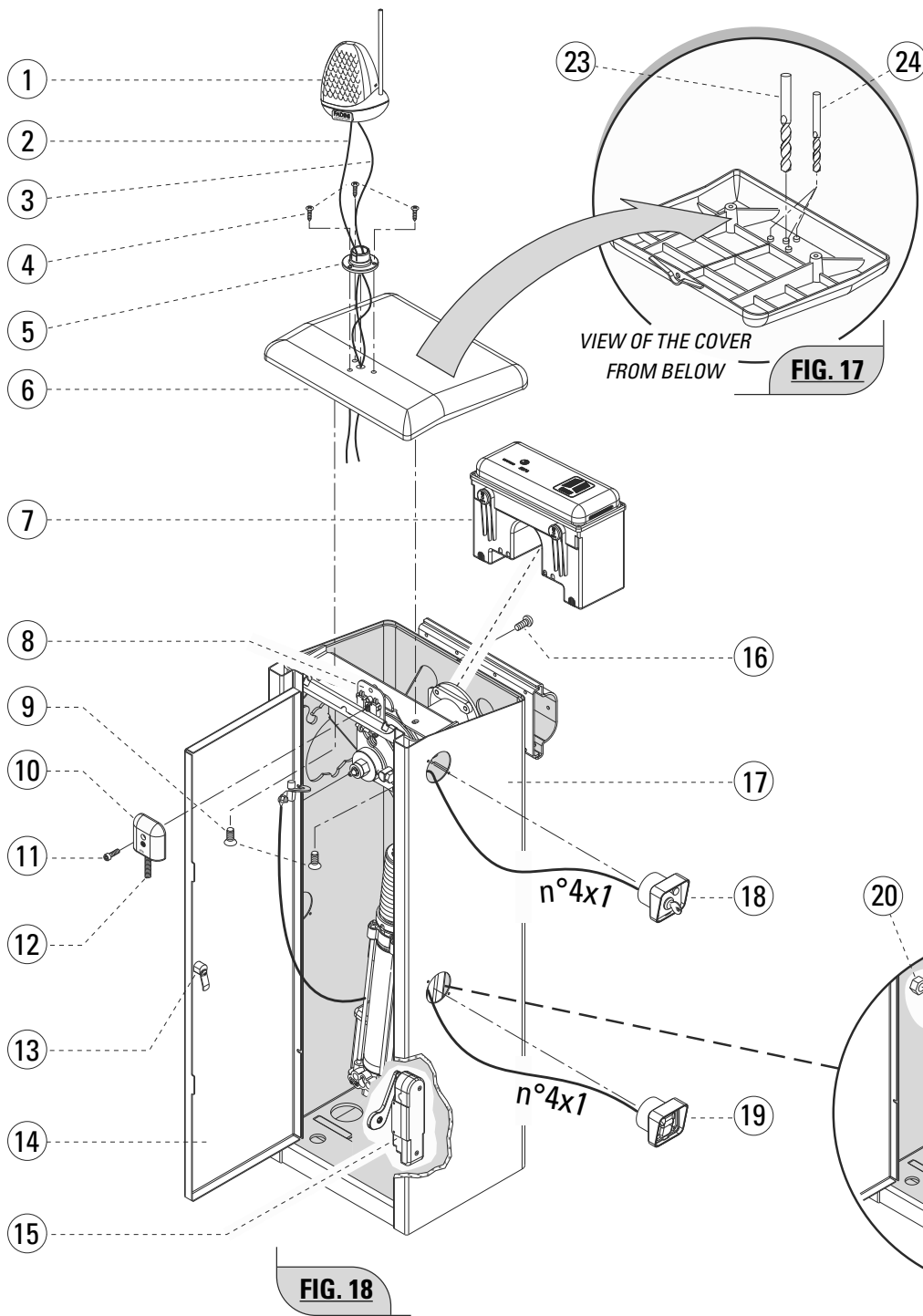
Important: the number of counterweights in different installations varies according to the length of the barrier beams attached and to the presence or not of the fencing. (See table Fig. 34, page 20).
Important: the length of the counterweight attachment bolts varies with the number of counterweights needed.





INSTALLATION OF THE BAYT 980 WITH MAGNETIC LOOP





1. **Miri 4** flasher with **Birio A8** aerial (optional)
2. **Miri 4** flasher cable with 2 x 1.5 wires
3. **RG58** aerial cable
4. **M5** Screws (3 pieces.)
5. **Vertical coupling** for **Miri 4**
6. **Cover** to disassemble, once the three attachment screws for the **Bayt 980** are removed
7. **Control box** with **Elpro 980** elect. Prog.
8. **Limit switch** with spring trip mechanism
9. **M8x16** TSEI Stainless Steel Screws (2 pieces.)
10. **Limit switch cover**
11. **M6x25** TEI Galvanised Screws (1 piece.)
12. **Limit switch spring**
13. **Door lock**
14. **Door**
15. **Cabinet door switch** for general electrical power disconnection
16. **M8x16** TBEI Stainless Steel Screw (1 piece.)
17. **Bayt 980 housing cabinet**
18. **Prit 19** keyed selector switch (optional)
19. **Polo 44** Photocell (optional)
20. **M8** Nut
21. **Lock stop cabinet side hole cover**
22. **Protective cover cap**
23. **Ø10.5** Central stud drill hole
24. **Ø4.2-3** studs drill holes

FIG. 18

FIG. 19

- Loosen and remove the **three "M8" attachment screws** (9 and 16) of the **cabinet cover** (6) (Fig. 18).
- Turn the **cover** (6) upside down and drill with a 4.2 mm diameter bit and thread the three M5 studs (24) for the attachment of the **"Miri 4"** flasher (1) (Fig. 17).
- The central stud of the cover (23) must be drilled out with a 10.5 mm diameter bit to enable the passage of the electrical power supply cable for the **"Miri 4"** flasher and for the possible insertion of the **"RG58"** coaxial cable for the **"Birio A8"** aerial (Fig. 17).
- Then run the electrical cables through the central 10.5mm diameter hole and attach the vertical coupling (5) for the **"Miri 4"** flasher (1) with the three **"M5"** screws (4) on the outside of the cover (Fig.18).
- Replace the cover on the **housing cabinet** (Ref. 17) and attach it with the three M8 screws so as to cover the Bayt 980 cabinet, as shown in Fig. 18.

In order to install the **Polo 44** photocells and the **Prit 19** selector switch on the housing cabinet, it is necessary to remove the **protective covers** (22) unscrewing the **M8 nut** (20) from inside of the cabinet and then removing the **stop plate** (21) (Fig. 19). The **housing cabinet** is in this way prepared for the attachment of all of the operational accessories (Fig.18).



ELECTRICAL CONNECTIONS TO THE ELPRO 980 PROGRAMMER

Photocells or Magnetic Loops



NC CONTACT FOR PHOTOCELLS OR MAGNETIC LOOPS

24V OUTPUT (MAX LOAD 350 mA: 2 PAIRS OF PHOTOCELLS 1 RADIO RECEIVER)

DIP-SWITCH 1:

- ON: Photocell or loop stops movement in opening and inverts in closing or with obstacle removed
- OFF: Photocell or loop does not stop movement in opening and inverts in closing or in presence of obstacle

DIP-SWITCH 9:

- ON: During the pause in Automatic (Dip-Switch 3 = ON) upon passage in front of the 2nd Photocells or the Loop it closes again
- OFF: Does not close upon passage in front of the 2nd Photocells

Fit 55 Photocell



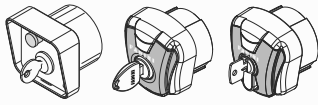
Receiver

Projector



Metallic mass detector for opening contact

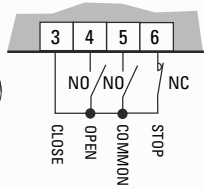
Key-switch:



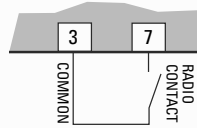
Prit 19

Chis 37

Chis-E 37



Radio contact:



- Open/Close (normal)
- Reserve direction on each impulse
- Step by step

DIP-SWITCH 2:

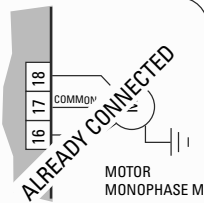
- ON: Does not reverse on opening
- OFF: Reverses direction on every impulse

DIP-SWITCH 5:

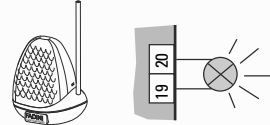
- ON: Step by Step with intermediate stop
- OFF: Normal operation

Motor (ALREADY CONNECTED):

WORK TIME: TRIMMER not required, the programmer works only with the limit switches and has a pre-set **maximum work time limit of 25 sec.** (BAYT 980 8 metre barrier beam with fencing: maximum 19 sec.)



External flasher:



Miri 4

230V 25W max

DIP-SWITCH 4:

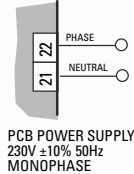
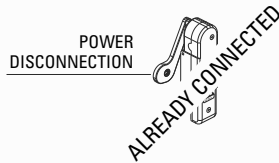
- ON: Pre-flashing
- OFF: Without pre-flashing

DIP-SWITCH 8:

- ON: Flasher deactivated during pause in automatic
- OFF: Flashes during pause in automatic

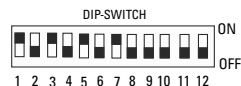
Power Supply:

The PCB card is supplied with power after having connected the power disconnection on the 230V- 50Hz line.



PCB POWER SUPPLY 230V ±10% 50Hz MONOPHASE

Dip Switches:



- 1= ON Photocell does not stop movement in opening
- 2= ON Radio does not reverse (and does not stop) in opening
- 3= ON Closes in Automatic
- 4= ON Pre-flashing Active
- 5= ON Radio step by step with intermediate stop
- 6= ON Hold - on - switched contact service (Dip 4=OFF and Dip 3=OFF)
- 7= ON Hold - on - switched service only on closing
- 8= ON Flasher off in pause
- 9= ON In opening and in pause closes back after photocell passage
- 10= ON Performs any operation of opening or closing only after having verified that all safety systems are active and none of these is activated
- 11= OFF blank to be defined
- 12= ON Enables function with slave PCB (slave mode)

ATTENTION: for a detailed explanation of all of the functions among which there is the Automatic/Semiautomatic, hold - on - switched command and clock connection, it is suggested that one refers to the Elpro 980 instruction book.

DESCRIPTION OF THE ELPRO 980 TERMINALS AND ACCESSORIES ALREADY CONNECTED

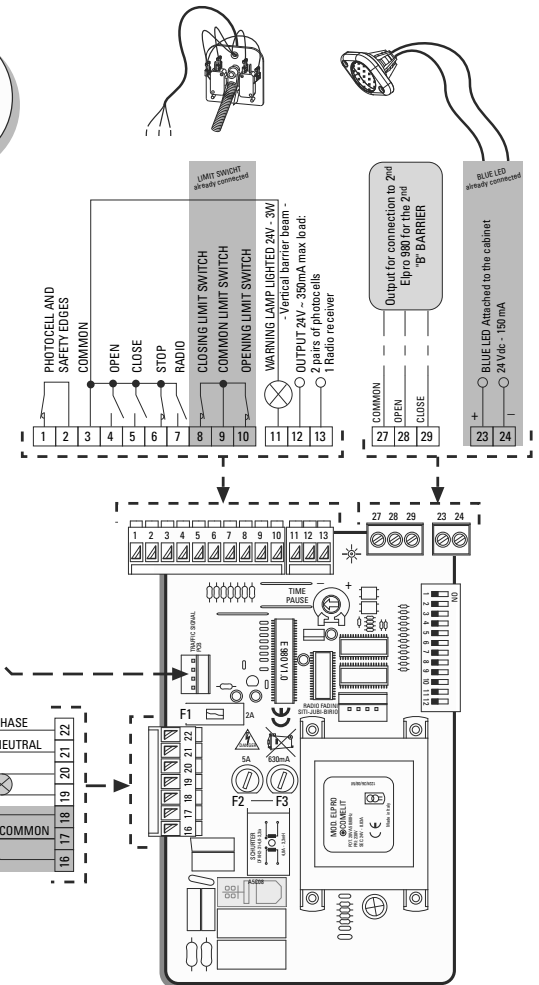


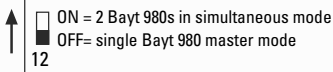
FIG. 20

Cos 982 - ALREADY CONNECTED -

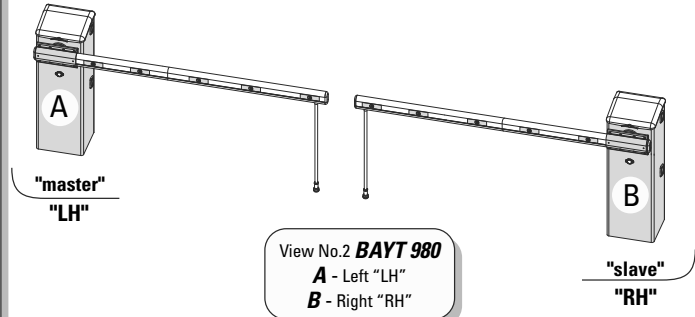
Electrical connections:

- Elpro 980-A:** Perform all of the connections necessary for the operation of the Bayt 980-A. Any command accessories, radio PCB or whatnot, must be connected exclusively to the Elpro 980-A.
- Elpro 980-B:** Power the PCB, jumper the NC connections (Stop, photocell and safety switches) and finally connect the motor and the limit switches of the Bayt 980-B
Set the Dip-Switch 12 = **ON**

DIP-SWITCH N°12=ON

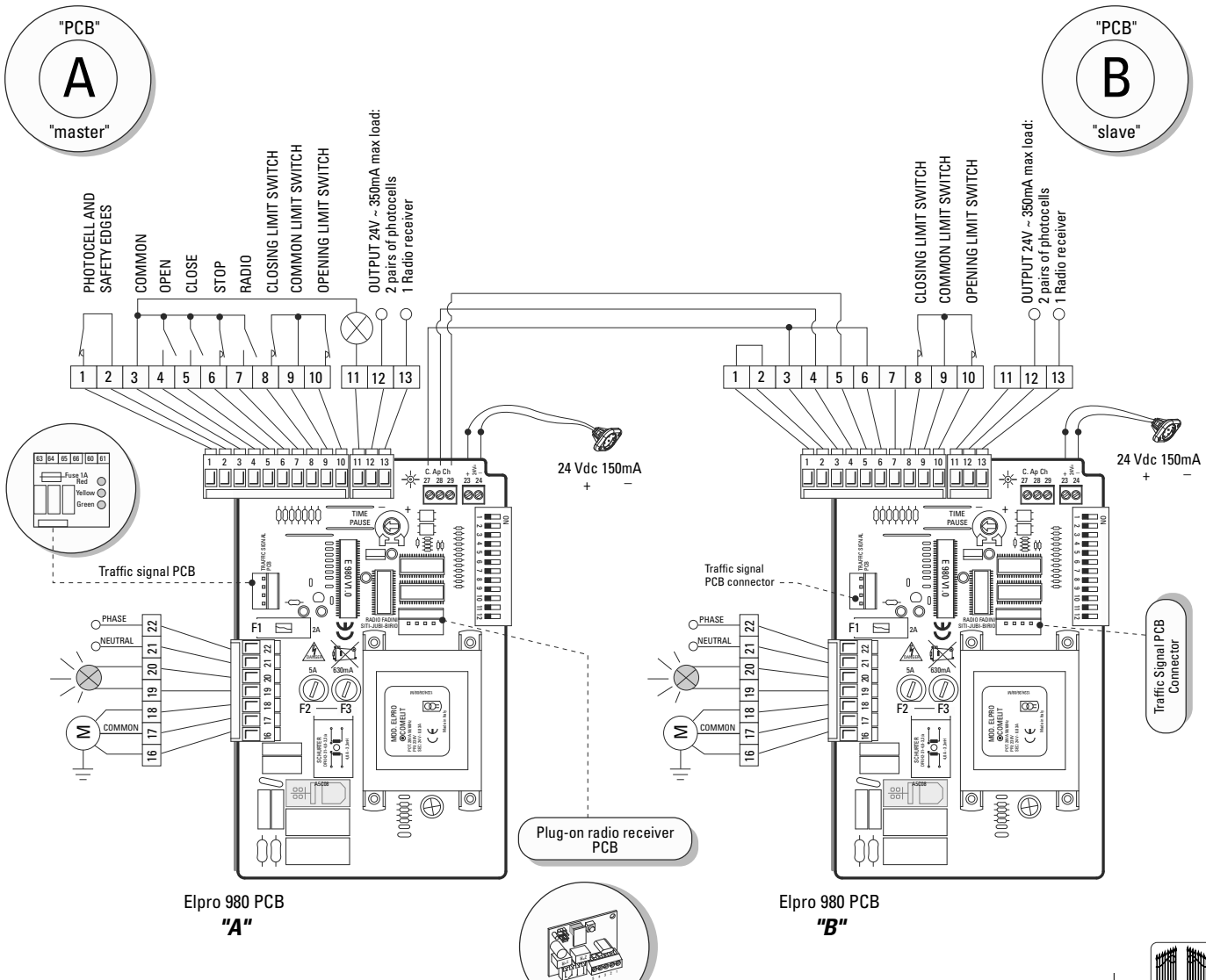


- Connect the **27, 28, 29** terminals of the **Elpro 980-A (master)** respectively with the **3, 4, 5** terminals of the **Elpro 980-B (slave)**.



Before completing all of the electrical connections necessary, distinguish the Elpro 980 of the **A "Master"** Barrier, which commands the Elpro 980 in the **B - "Slave"** Barrier.

ATTENTION: in the case of simultaneous barriers it is suggested that they are set with an equal barrier beam length and speed, otherwise the master barrier between the two must be that with the longer barrier beam length or that with the slowest speed.



IMPORTANT: Any radio receiver or plug-on PCB for the traffic signal must be connected to the Master PCB A

FIG. 21



1. Closing limit switch feeler
2. Opening limit switch feeler
3. Earthing wire
4. Adjustment of the opening position of the boom arm - Adjustment Flange -
5. Adjustment of the closing position of the barrier beam - M16 counter nut and register -
6. Control unit/piston anchor base
7. Electrical power disconnection switch

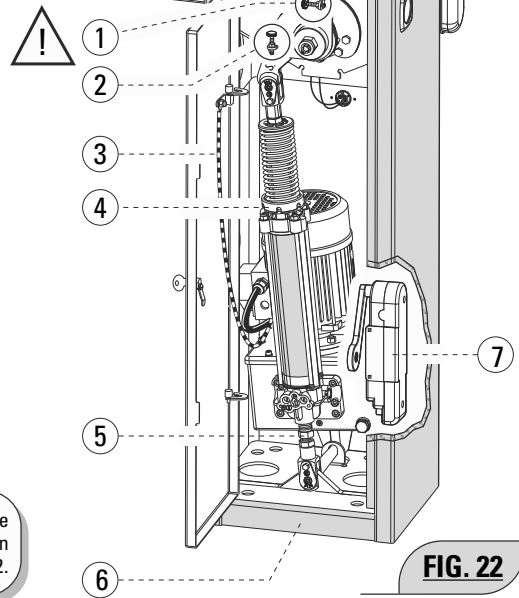
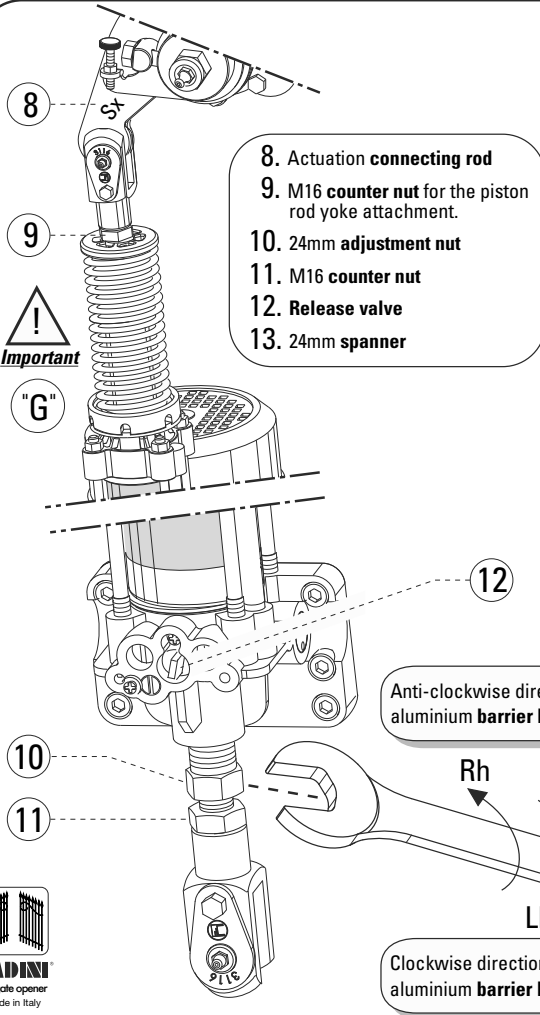


FIG. 22

The **Bayt 980** hydraulic barrier has a simple but effective adjustment system for the barrier beam in movement, in opening and in closing, as indicated in Fig. 22.

Important: at the end of the operation it is necessary to check and verify the limit switches and if needed adjust the closing limit switch feeler (1) so that the electrical is operated when the barrier beam arrives at its horizontal stop position.



ADJUSTMENT OF THE BARRIER BEAM IN CLOSING POSITION (Fig. 23):
 In closing, the barrier beam must be horizontal; therefore the adjustment is performed with the piston rod completely retracted. First the M16 (11) counter nut must be loosened and then turn the adjustment with the 24 mm spanner (Ref. 13)
 - Tighten with the 24 mm spanner to the left - clockwise - the adjustment nut (10), so as to lower the barrier beam beyond the "horizontal line".
 - Loosen the adjustment nut (10) to the right - anti-clockwise - so that the barrier beam rises above the "horizontal line".
 - Once the adjustment has been made, the M16 counter nut previously loosened must be tightened, so as to lock the **Bayt 980** valve attachment yoke base.
 - Remember to tighten the M16 counter nut (9) of the piston rod yoke ferrule to the actuation rod (8).

- Turning the adjustment nut "E24" (Ref. 10) to the left - Lft - clockwise: the barrier beam goes beyond the horizontal line and lowers
 = instead =
- Turning the adjustment nut "E24" (Ref. 10) to the right - Rt - anti-clockwise: the barrier beam stays above the horizontal line and rises

Anti-clockwise direction the aluminium barrier beam rises

Clockwise direction the aluminium barrier beam lowers

"G" Important
 The shaft-spring with the yoke must be totally retracted in its rest position, for the adjustment of the barrier beam in horizontal.

FIG. 23



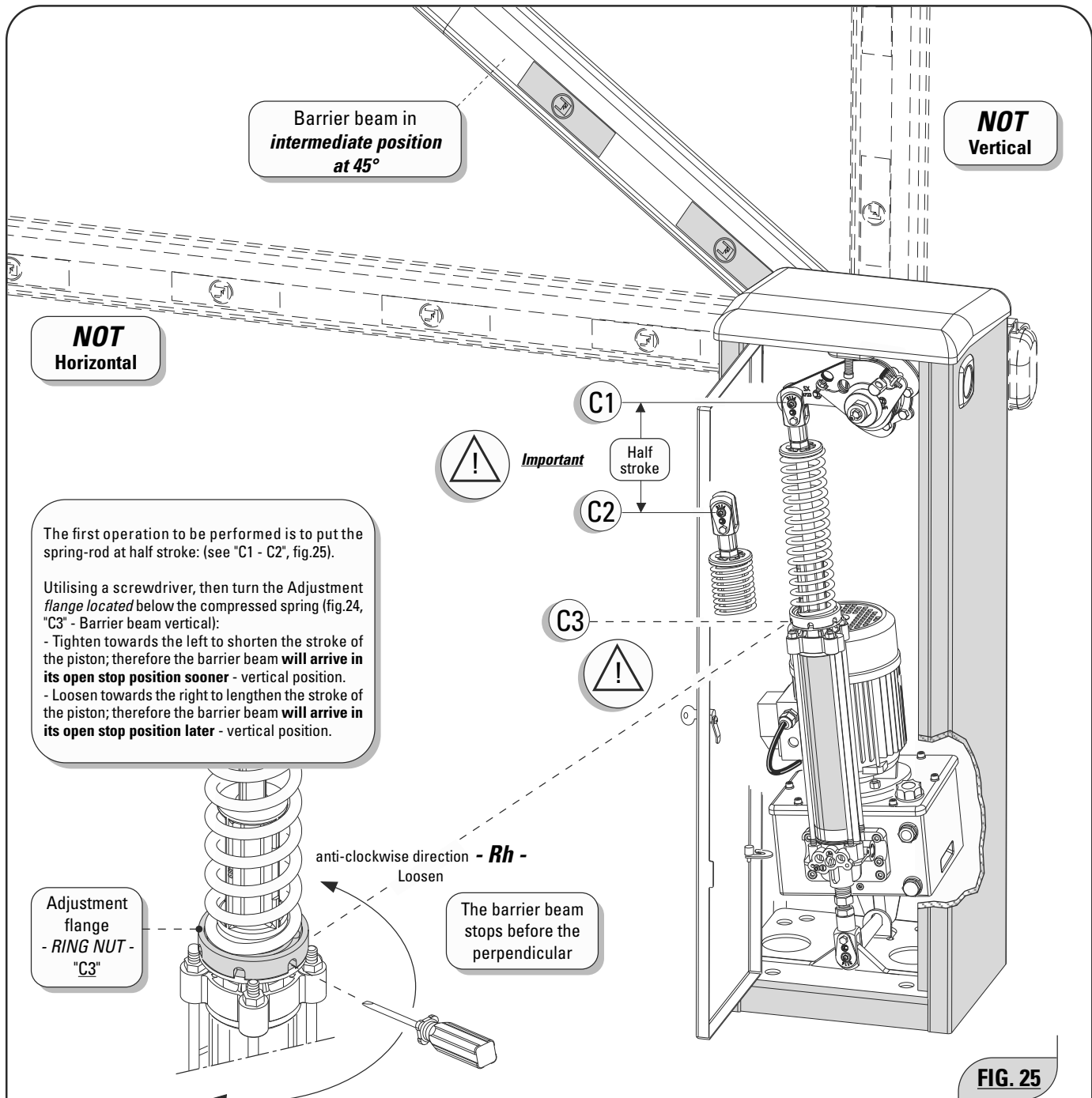


FIG. 25

The first operation to be performed is to put the spring-rod at half stroke: (see "C1 - C2", fig.25).

Utilising a screwdriver, then turn the Adjustment flange located below the compressed spring (fig.24, "C3" - Barrier beam vertical):

- Tighten towards the left to shorten the stroke of the piston; therefore the barrier beam **will arrive in its open stop position sooner** - vertical position.
- Loosen towards the right to lengthen the stroke of the piston; therefore the barrier beam **will arrive in its open stop position later** - vertical position.

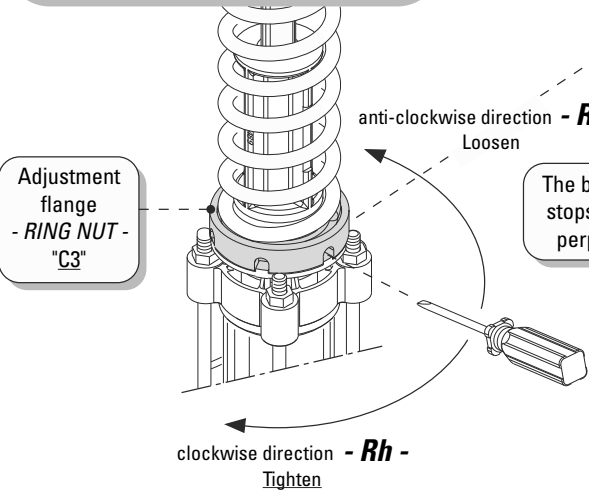
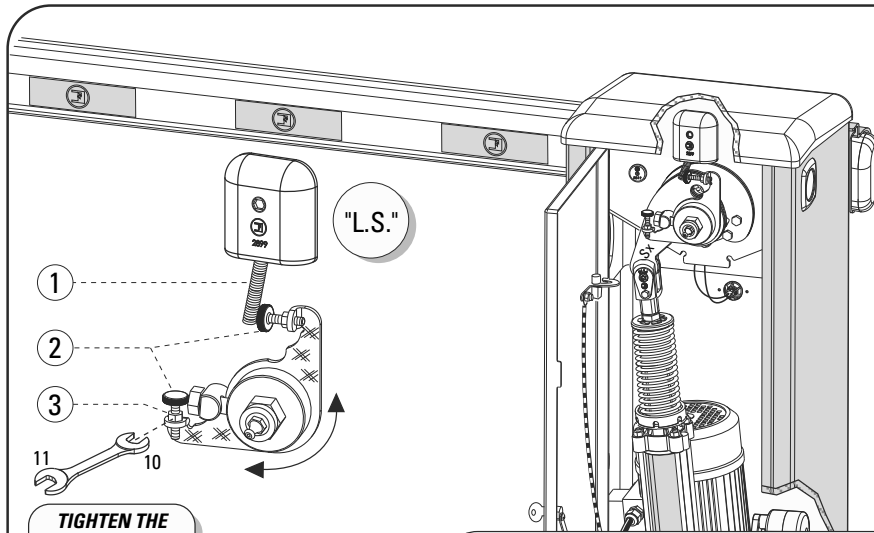


FIG. 24

Important:
 The position allowed for the adjustment of the "C3" ring nut is only with the rod/spring at half stroke - barrier beam position at 45°, "C1-C2".
Avoid adjustment of the ring nut with the rod completely extended or completely retracted.

ADJUSTMENT OF THE BARRIER BEAM IN OPENING POSITION
 It is important that the entire operation comes about when the barrier beam is **not in its vertical or horizontal stop position** (fig 25). With the barrier beam in an intermediate position at 45° and the rod therefore at its half stroke point, it is possible to adjust the barrier beam in opening.





Important:

At the moment of test inspection in the factory the position of the two feelers was already correctly adjusted with the position of the barrier beam in opening and closing vertical and horizontal respectively.

FIG. 26

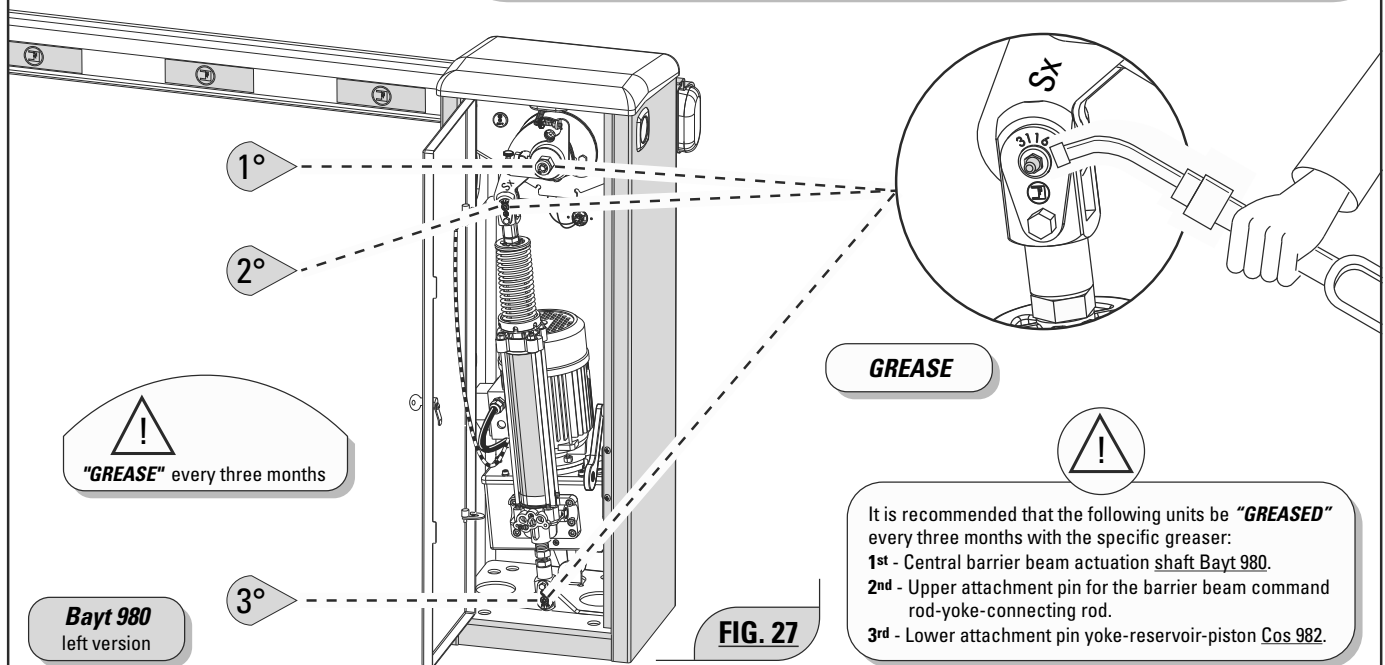
TIGHTEN THE COUNTER NUTS

1. Flexible limit switch lever
2. L.S. adjustable ridged feelers
3. M6 Counter nut in its two positions

Once the procedure on the stop points of the Bayt 980 barrier beam has been finished, it is possible to adjust the opening and closing limit switches with the "L.S." adjustable ridged feelers, which contact the flexible limit switch lever. After having verified the correct operation of the flexible lever (both in vertical and in horizontal) on the limit switch system micro-switch, it is necessary to securely tighten the single counter nuts (Fig. 26).

ORDINARY MAINTENANCE

Periodically it is necessary to perform maintenance to the Bayt 980 barrier, injecting grease by way of suitable greasers (Fig. 27).



GREASE



It is recommended that the following units be "GREASED" every three months with the specific greaser:

- 1st - Central barrier beam actuation shaft Bayt 980.
- 2nd - Upper attachment pin for the barrier beam command rod-yoke-connecting rod.
- 3rd - Lower attachment pin yoke-reservoir-piston Cos 982.

"GREASE" every three months

Bayt 980
left version

FIG. 27

For optimum performance of the system over time according to safety regulations, it is necessary to perform proper maintenance and monitoring of the entire installation (for the automation, the electronic equipment installed and for the cabling connected to these). Only qualified technical personnel must perform the entire installation, filling out the Maintenance Manual indicated in the specific Regulation Book (to be requested):


- Hydraulic mechanism: maintenance inspection check at least every 6 months;
- Electronic equipment and safety systems: inspection check at least once every month;
- Ordinary and extraordinary maintenance must be agreed on between the principal and the maintenance firm.
- Dispose of the packaging containers, such as the cardboard, plastic sheeting, foam padding, etc., through specialised waste disposal firms.

DO NOT DISPOSE OF EITHER WASTE OR TOXIC SUBSTANCES INTO THE ENVIRONMENT.

- In the event of the removal of the "Cos 982" Actuator, do not cut the electrical wires, but remove them from the terminal loosening the setscrews in the derivation box.



Important:
At the moment of the test inspection in the factory the thrust force has already been calibrated and set as a function of the speed and the length of the barrier beam.

Anti-Clockwise (LOOSENING): decreases thrust force

Clockwise (TIGHTENING): increases thrust force

To obtain a greater thrust force it is necessary to tighten the regulators in a clockwise direction, while turning them in an anti-clockwise direction gives a lesser thrust force (Fig. 28).

Red regulator: adjustment of the thrust of the **opening** boom arm

Slowing of the barrier beam:
 + **Tightening** increases the braking of the barrier beam.
 - **Loosening** decreases the braking of the barrier beam.


The braking of the Bayt 980 barrier beam in its horizontal can be finely adjusted to the required degree by way of the screw adjustment located on the valve body, in the Slowing position. Fig.28

ATTENTION Important

IMPORTANT:
Do not put oil into the reservoir. It has already been filled.
 = **APR13** =
 To check the oil level in the reservoir of the Cos 982, the piston must be perpendicular to the housing cabinet of the **Bayt 980**.

To release:
turn the release **key in an anti-clockwise** direction (do not loosen any more than one turn)

In the situation in which there is an electrical power failure, it is possible to make the movement of the barrier beam manual by acting on the regulator located between the two regulators for maximum and minimum pressure with the specific unlocking spanner (Manual Release) Fig. 28.

OIL

 Do not put oil into the reservoir. It has already been filled.

Important:
At the moment of the test inspection in the factory the thrust force has already been calibrated and set as a function of the speed and the length of the boom arm.

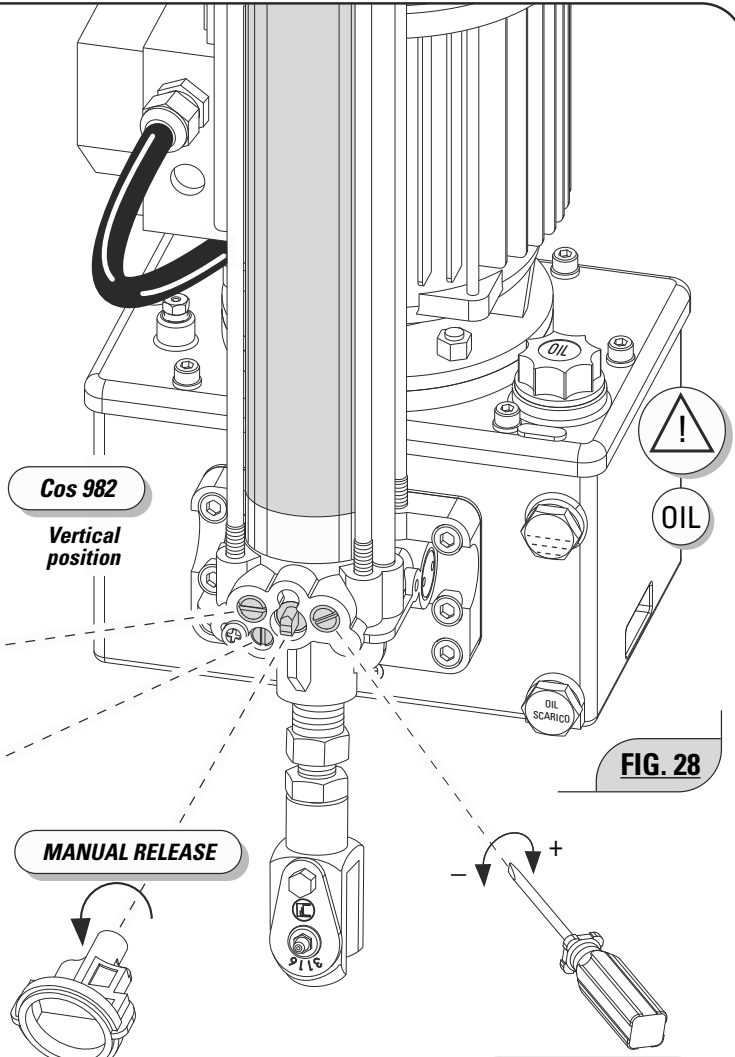


FIG. 28

In the "Cos 982" hydraulic piston it is possible to adjust the thrust force necessary for the movement of the Bayt 980 barrier beam, with the possibility of the acting on the adjustment regulator for the maximum and the minimum hydraulic circuit pressure in the oil reservoir valve body. This will assure a regular movement and total anti-crush protection at the same time. The two regulators, one Red and one Green, are positioned frontally on the valve block, at the base of the barrier beam actuation piston.
 - **Red:** regulator that adjusts the aluminium barrier beam vertical opening thrust.
 - **Green:** regulator that adjusts the aluminium barrier beam horizontal descent

Bayt 980
hydraulic



THE DECLARATION OF CONFORMITY
of the Manufacturer

Manufacturing Firm:



Address:

Via Mantova 177/A - 37053 Cerea (VR) Italy
Tel. 0442 330422 - Fax 0442 331054
e-mail: info@fadini.net - www.fadini.net

DECLARES UNDER ITS OWN RESPONSIBILITY THAT:

Model:



- painted -

Hydraulic barrier for driveways

IS COMPLIANT TO THE MACHINE DIRECTIVE.....2006/42/CE

FURTHERMORE:

The **Bayt 980** is marketed to be installed as an "automated system" with original accessories and components indicated by the Manufacturing Firm.
The automated mechanism, according to the provisions of the law is a "machine" and therefore the installer must apply all safety regulations to it. The same installer must also issue his/her own Declaration of Conformity.
The manufacturing firm assumes no responsibility for the improper use of the product. The product has been deemed compliant with the following specific regulations:
- Analysis of Risks and successive procedures for eliminating them: ----- **EN 12445 & EN 12453**
- Low Voltage Directive ----- **2006/95 CE**
- Electromagnetic Compatibility Directive ----- **2004/108/CE**

With the purpose of certifying the product, the Manufacturer declares under his own responsibility the compliance with the EN 13241-1 PRODUCT REGULATIONS

Date: 10-01-14

Meccanica FADINI s.n.c.

The Manager



GENERIC INSTALLATION WITH COUNTERWEIGHTS, CABLES, FENCES AND LED LAMPS

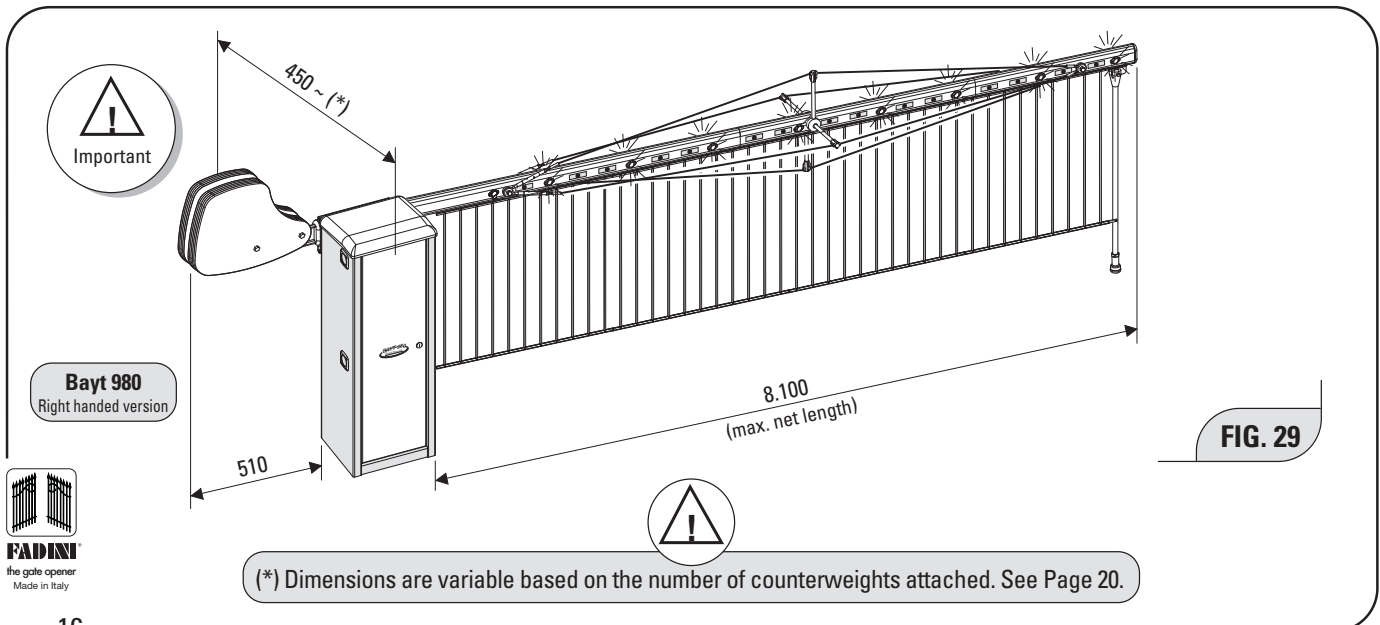


FIG. 29



THE DECLARATION OF CONFORMITY
of the Manufacturer

Manufacturing Firm:

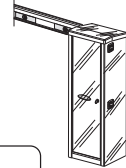


Address:

Via Mantova 177/A - 37053 Cerea (VR) Italy
Tel. 0442 330422 - Fax 0442 331054
e-mail: info@fadini.net - www.fadini.net

DECLARES UNDER ITS OWN RESPONSIBILITY THAT:

Model:



- inox -

Hydraulic barrier for driveways

IS COMPLIANT TO THE MACHINE DIRECTIVE.....2006/42/CE

FURTHERMORE:

The **Bayt 980** is marketed to be installed as an "automated system" with original accessories and components indicated by the Manufacturing Firm.
The automated mechanism, according to the provisions of the law is a "machine" and therefore the installer must apply all safety regulations to it. The same installer must also issue his/her own Declaration of Conformity.
The manufacturing firm assumes no responsibility for the improper use of the product. The product has been deemed compliant with the following specific regulations:
- Analysis of Risks and successive procedures for eliminating them: ----- **EN 12445 & EN 12453**
- Low Voltage Directive ----- **2006/95 CE**
- Electromagnetic Compatibility Directive ----- **2004/108/CE**

With the purpose of certifying the product, the Manufacturer declares under his own responsibility the compliance with the EN 13241-1 PRODUCT REGULATIONS

Date: 10-01-14

Meccanica FADINI s.n.c.

The Manager



POSSIBILITY OF INSTALLATION OF THE ALUMINIUM BARRIER BEAM WITH "LED" LAMPS

1. Control box
2. Elpro 980 Electronic Programmer
3. Cable and terminals set up inside of the housing cabinet for the connection of the LED lamps
4. Bayt 980 housing cabinet
5. LED lamps
6. Small PCB for Al. Flex 34 LED flashers with container

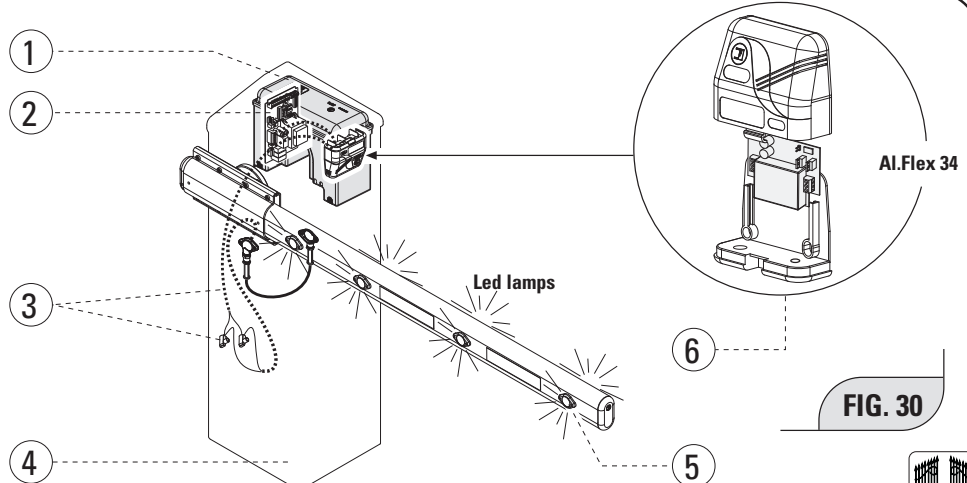
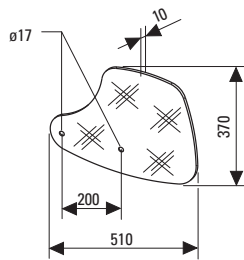
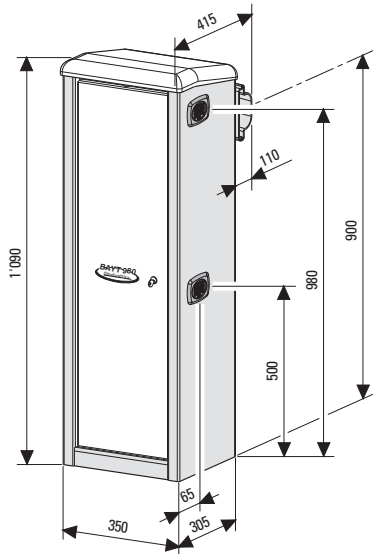


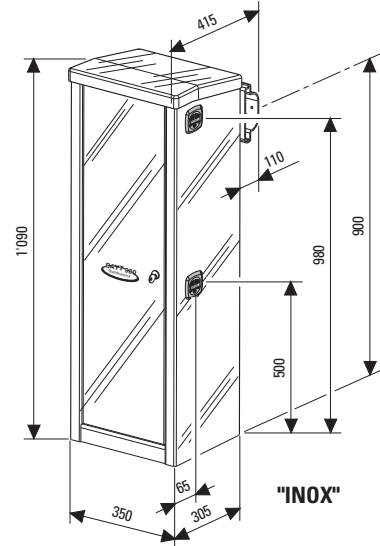
FIG. 30

In the event of an installation of the Bayt 980 with LED lamps it is possible to connect the Al.Flex 34 command device and to obtain the alternating flashing without pauses or else the alternating flashing of the "flash" type (Fig.30).





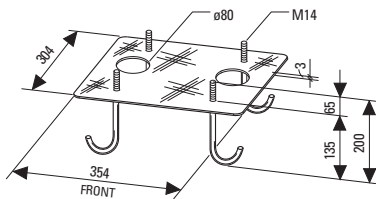
Counterweights in galvanised iron
- Weight 10 Kg each -



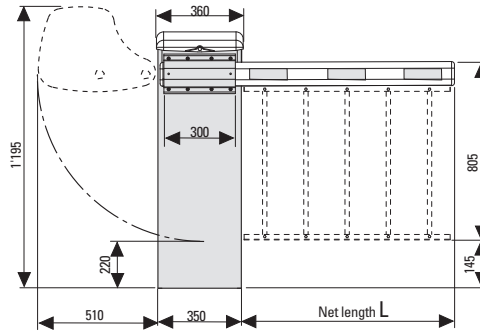
"INOX"

Bayt 980 complete cabinet weight.....75 kg (without barrier beam)
Colour of painted pillar.....**RAL 2002 Red**
Colour of painted cover and door.....**Textured metalized**

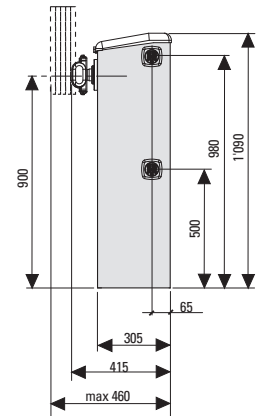
Bayt 980 complete cabinet weight 75 kg (without barrier beam)
Version with cabinet, cover and door stainless steel.....**"AISI 304" INOX**



Anchor plate 354x304 with M14x200 galvanised anchor bolts.
Interaxis 200 x 200
Galvanised steel valid also for Bayt 980 stainless steel



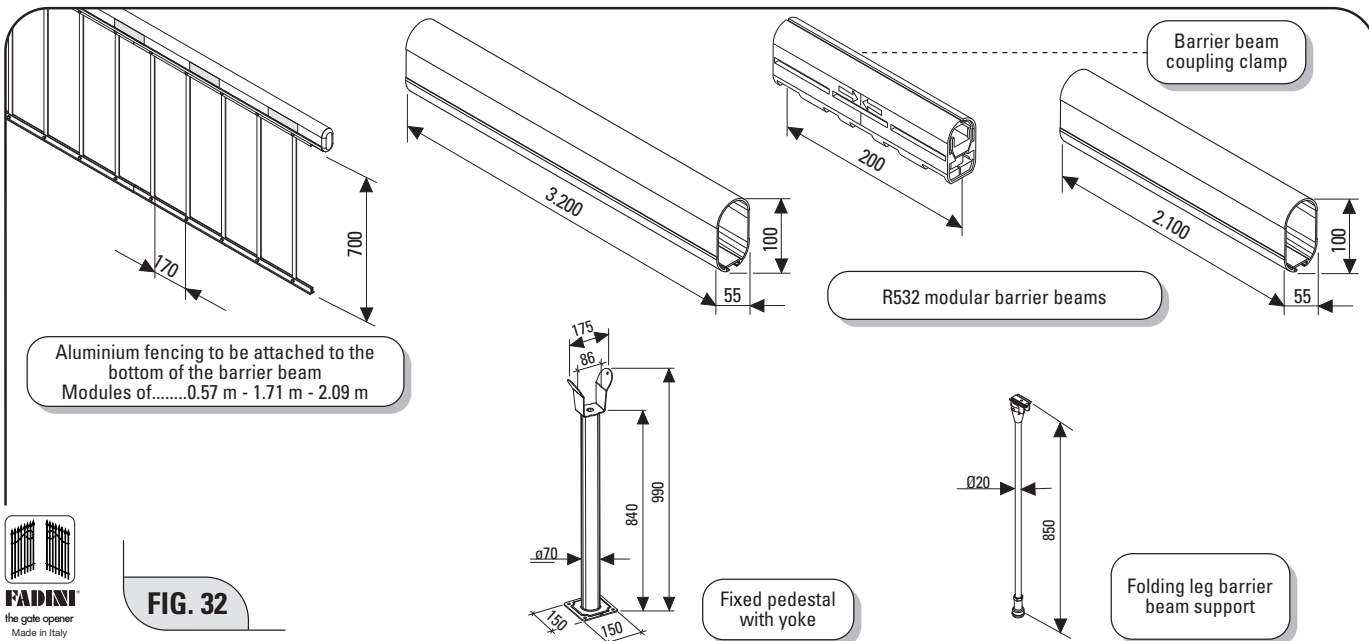
View with R532 barrier beam attachment



Side view photocell side

FIG. 31

DIMENSIONS MEASUREMENTS ALUMINIUM BARRIER BEAMS, FENCE, LEG AND PEDESTAL



Aluminium fencing to be attached to the bottom of the barrier beam
Modules of.....0.57 m - 1.71 m - 2.09 m

R532 modular barrier beams

Fixed pedestal with yoke

Folding leg barrier beam support

FIG. 32



PERFORMANCE (4 s - 4,20 m beam)

Frequency of use	very intensive
Service cycle	opening 4 s - dwell 4 s - closing 4 s - dwell 4 s
Complete cycle time	16 s
Complete cycles opening-dwell-closing-dwell	No. 225/hour
Annual cycles (with 8 hours of use per day)	No. 657.000

PERFORMANCE (14 s - 6,40 m beam with fence)

Frequency of use	very intensive
Service cycle	opening 14 s - dwell 7 s - closing 14 s - dwell 7 s
Complete cycle time	42 s
Complete cycles opening-dwell-closing-dwell	No. 86/hour
Annual cycles (with 8 hours of use per day)	No. 251.000

PERFORMANCE (8 s - 6,40 m beam)

Frequency of use	very intensive
Service cycle	opening 8 s - dwell 4 s - closing 8 s - dwell 4 s
Complete cycle time	24 s
Complete cycles opening-dwell-closing-dwell	No. 150/hour
Annual cycles (with 8 hours of use per day)	No. 438.000

PERFORMANCE (19 s - 8,50 m beam with fence)

Frequency of use	very intensive
Service cycle	opening 19 s - dwell 10 s - closing 19 s - dwell 10 s
Complete cycle time	58 s
Complete cycles opening-dwell-closing-dwell	No. 62/hour
Annual cycles (with 8 hours of use per day)	No. 181.000

COS 982 DRIVE UNIT DIMENSION MEASUREMENTS

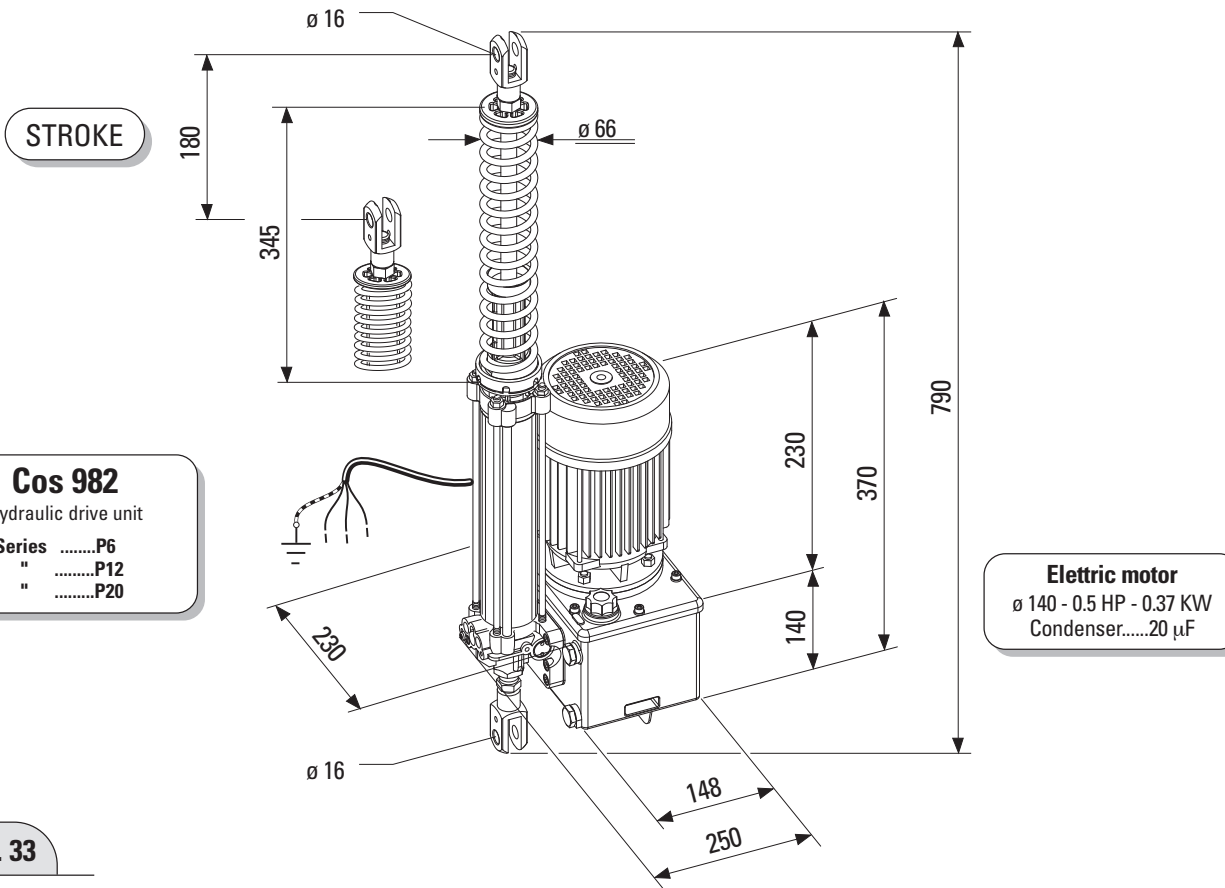


FIG. 33

TECHNICAL SPECIFICATIONS - BAYT 980 -

TECHNICAL SPECIFICATIONS

ELECTRIC MOTORS

Power output	0,37 kW (0,5 HP)
Absorbed power	510 W
Frequency	50 Hz
Supply voltage	230 Vac
Absorbed current	2,4 A
Capacitor	20 μ F
Motor rotation speed	1.350 rpm
Intermittent service	S3

OIL-HYDRAULIC MOTOR-PUMP UNIT - COS 982 -

Working pressure	20 atm
Max. pressure	40 atm
Oil type	Oil Fadini - Item 708L
Reservoir capacity	2,5 liters
Static weight	22,5 kg
Working temperature	-20 °C +80 °C (*)
Protection standards	IP 65 (inside the housing)
Weight (without beam)	75 kg
Colour of the housing	RAL 2002 Orange Red
Door and top colour	Metallic grey, pebbled

(*) -40 °C with specific optional accessories (Ref. General Catalogue).



Do not put oil into the reservoir.
It has already been filled.

Bayt 980
Oil-hydraulic



3 sec.	no Spring	Barrier beam 3.20 m	7 lamps	no Fence	no Cables	no Counterweights	piston Ø30	
4 sec.	no Spring	Barrier beam 3.20 m	7 lamps	no Fence	no Cables	no Counterweights	piston Ø40	
		Barrier beam 4.20 m	9 lamps					
8 sec.	with Spring	Barrier beam 4.20 m	9 lamps	with Fence	no Cables	no Counterweights	piston Ø40	
			9 lamps	no Fence				
		Barrier beam 5.30 m	11 lamps					
		Barrier beam 6.40 m	13 lamps					
14 sec.	with Spring	Barrier beam 4.20 m	9 lamps	with Fence	no Cables	no Counterweights	piston Ø50	
		Barrier beam 5.30 m	11 lamps	no Fence				
		Barrier beam 6.40 m	13 lamps					
				with Fence		with Cables		Counterweights n∞ 4x10Kg
		Barrier beam 7.40 m	15 lamps	no Fence				Counterweights n∞ 3x10Kg
		Barrier beam 8.50 m	17 lamps					Counterweights n∞ 7x10Kg
19 sec.	with Spring	Barrier beam 6.40 m	13 lamps	with Fence	no Cables	Counterweights n∞ 4x10Kg	piston Ø60	
				no Fence		with Cables		Counterweights n∞ 3x10Kg
		Barrier beam 7.40 m	15 lamps	with Fence				Counterweights n∞ 6x10Kg
				no Fence				Counterweights n∞ 7x10Kg
		Barrier beam 8.50 m	17 lamps	with Fence				Counterweights n∞ 9x10Kg

FIG. 34

Bayt 980
Oil-hydraulic

SPECIFIC SUGGESTIONS



The development of the firm MECCANICA FADINI has always been based upon the guarantee of the quality of its products and on the existence of a TOTAL QUALITY CONTROL system, which has guaranteed the maintenance of quality levels over time and a constant updating of the European Regulations, in the framework of a continuous process of improvement.

Before installation on the part of qualified technical personnel, it is suggested that the Safety *Regulations Booklet* made available by Meccanica Fadini be examined.



ATTENZION Important



Directive 2003/108/CE
Disposal of electrical and electronic goods
DISPOSE PROPERLY OF SUBSTANCES HAZARDOUS FOR THE ENVIRONMENT

Installer's stamp



Via Mantova, 177/A - 37053 Cerea (VR) Italy - Tel. +39 0442 330422 - Fax +39 0442 331054
e-mail: info@fadini.net - www.fadini.net



The manufacturing firm reserves the right to modify this manual without notice; in addition it assumes no responsibility for possible errors or damages to things or persons.