



"innovation in its most functional form"

PRODUCT DATA SHEET

SG11TM SECURE-GRIP MECHANICAL FLANGE SPREADER

SPREADING FORCE:
85 ft/lbf (120 Nm) = 11 T (110 kN) per tool
It is recommended that tools are used in pairs giving
2 x 11 = 22 T (220 kN)

SPREADING DISTANCE = 0-90mm (0-3.55")
TOOL WEIGHT = 10.5kg (23.2 lbs)

KIT COMPONENTS

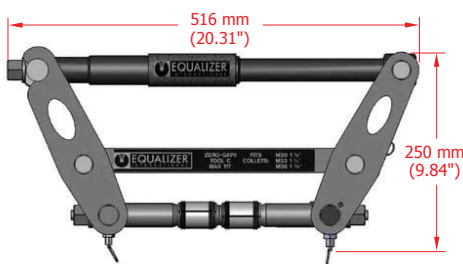
- 1 x SG11TM Tool
 - 1 x 150mm (6") Vernier Calliper
 - 1 x 1/2" Drive Torque Wrench and 24mm Socket
 - 1 x Safety Block
 - 2 x M30 (1 1/8") Collets
 - 2 x M33 (1 1/4") Collets
 - 2 x M36 (1 3/8") Collets
 - 1 x Instruction Manual
 - 1 x Carry Case with protective foam inserts
- Product Code: SG11TMSTD



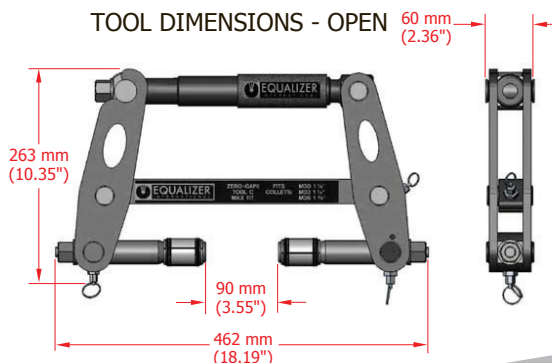
WEIGHTS AND DIMENSIONS

Tool Weight	= 10.5 kg (23.2 lbs)	Carry Case Dimensions:	
Case Weight	= 6 kg (13.2 lbs)	640 x 540 x 165mm (25.20" x 21.26" x 6.50")	
Gross Weight	= 20 kg (44 lbs)		

TOOL DIMENSIONS - CLOSED



TOOL DIMENSIONS - OPEN



SG11™

SECURE-GRIP MECHANICAL FLANGE SPREADER



"innovation in its most functional form"

RANGE OF APPLICATION

The SG11™ is usable on all standard flanges that have been specified to accept the following bolt sizes:

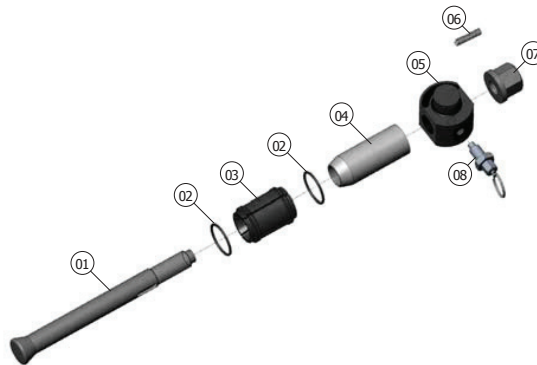
M30, M33, M36, 1 1/8", 1 1/4", 1 3/8"

This includes ANSI, DIN, SPO, ASME, API and BS flanges.

For a detailed range of application please request the Secure-Grip Mechanical Operator Instruction Manual.

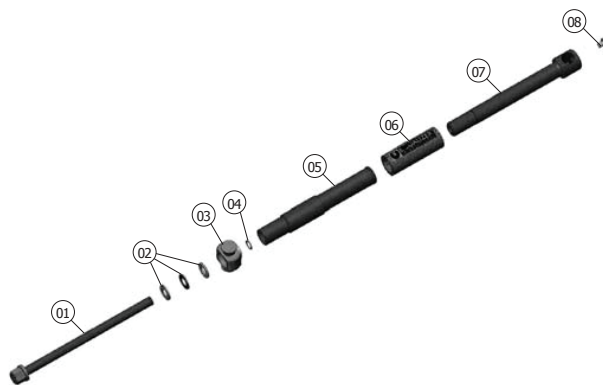
COLLET HEAD PARTS LIST AND EXPLODED DRAWING

ITEM	PART No.	DESCRIPTION	QUANTITY
01	630101-01	COLLET HOLDER	02 each
02	631001-01	M30 SPRING RING*	04 each
	631101-01	M33 SPRING RING*	04 each
	631201-01	M36 SPRING RING*	04 each
03	630201-01	M30 COLLET*	02 each
	630301-01	M33 COLLET*	02 each
	630401-01	M36 COLLET*	02 each
04	630501-01	DRIVE CONE	02 each
05	630601-01	COLLET UNION	02 each
06	630701-01	CENTRING SPRING 1	02 each
	633201-01	CENTRING SPRING 2	02 each
07	630801-01	COLLET NUT	02 each
08	900502-01	COLLET SPRING PLUNGER*	02 each



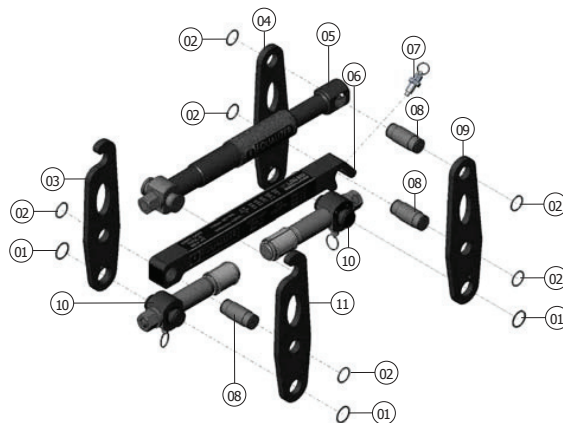
ACTUATOR PARTS LIST AND EXPLODED DRAWING

ITEM	PART No.	DESCRIPTION	QUANTITY
01	632201-01	ACTUATOR BOLT	01 each
02	632301-01	THRUST BEARING*	01 each
03	632501-01	OPEN ACTUATOR UNION	01 each
04	401301-01	ACTUATOR RETAINING RING*	01 each
05	632701-01	ACTUATOR SLEEVE	01 each
06	632801-01	FOAM GRIP	01 each
07	632901-01	CLOSED ACTUATOR UNION	01 each
08	633001-01	ACTUATOR RETAINING BOLT	01 each



SG11™ PARTS LIST AND EXPLODED DRAWING

ITEM	PART No.	DESCRIPTION	QUANTITY
01	631601-01	COLLET RETAINING RING*	04 each
02	631501-01	CANTILEVER RETAINING RING*	06 each
03	631401-01	OPEN LEG R/H	01 each
04	631901-01	CLOSED LEG R/H	01 each
05		SEE ACTUATOR PARTS LIST	
06	632101-01	CANTILEVER	01 each
07	632001-01	CANTILEVER PLUNGER	01 each
08	631701-01	CANTILEVER PIN	03 each
09	631801-01	CLOSED LEG L/H	01 each
10		SEE COLLET HEAD PARTS LIST	
11	631301-01	OPEN LEG L/H	01 each



* Items are supplied in Spares Kit Part No: 636060-01