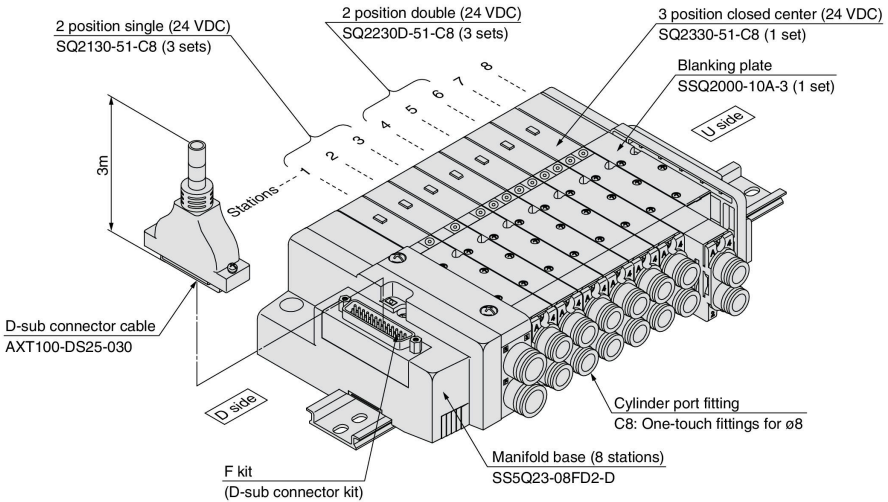


How to Order Manifold Assembly

Example: D-sub connector kit, with cable (3 m)



SS5Q23-08FD2-D ... 1 set (F kit 8-station manifold base)

* **SQ2130-51-C8 ... 3 sets (2 position single)**

* **SQ2230D-51-C8 ... 3 sets (2 position double)**

* **SQ2330-51-C8 ... 1 set (3 position closed center)**

* **SSQ2000-10A-3 ... 1 set (Blanking plate)**

↳ The asterisk denotes the symbol for assembly. Prefix it to the part nos. of the solenoid valve, etc.

Add the valve and option part numbers in order starting from the first station on the D side.

When entry of part numbers becomes complicated, indicate on the manifold specification sheet.

SV

SYJ

SZ

VF

VP4

VQ

1/2

VQ

4/5

VQC

1/2

VQC

4/5

VQZ

SQ

VFS

VFR

VQ7