

SUD142

Undervoltage relays for 3AC systems without external supply voltage



SUD142

Device features

- Undervoltage relays for 3AC systems
- Without external supply voltage
- 3 device variants with adjustable response values
80...120 V (3AC 100...120 V)
140...220 V (3AC 200...240 V)
260...420 V (3AC 380...440 V)
- LEDs: Power On, Alarm
- Alarm relay with two potential-free changeover contacts
- 45 mm enclosure

Note

In case of new installations refer to VMD421H.

Product description

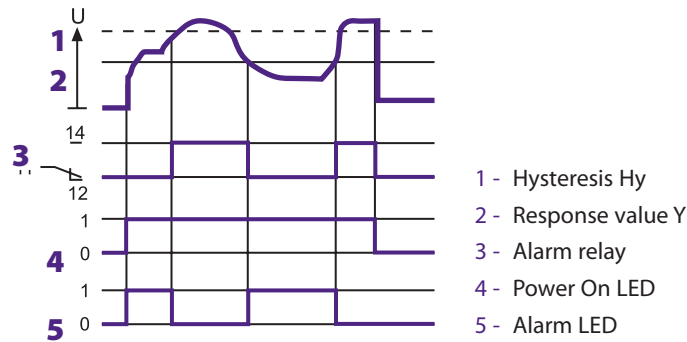
The voltage relays of the SUD142 series are designed to monitor three-phase AC systems without N conductor for undervoltage. External supply voltage is not required. The response value is set via a potentiometer.

Typical applications

- Monitoring of the power supply of motors and electrical installations
- Monitoring of loads
- Switching on and switching off at a certain voltage level
- Monitoring of stand-by and emergency supply systems
- Supply voltage monitoring of portable loads

Function

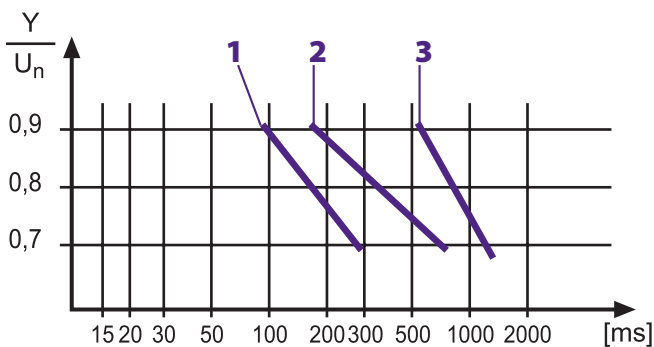
When supply voltage is applied, the alarm relay works in N/C operation (relay energized). When the phase-to-phase voltage of one, two or all conductors drops below the set response value "Y", the alarm relay de-energizes and the alarm LED "UVW<Y" lights up. If the measured quantity exceeds the response value plus hysteresis, the alarm relay switches back to its original state.



Approvals

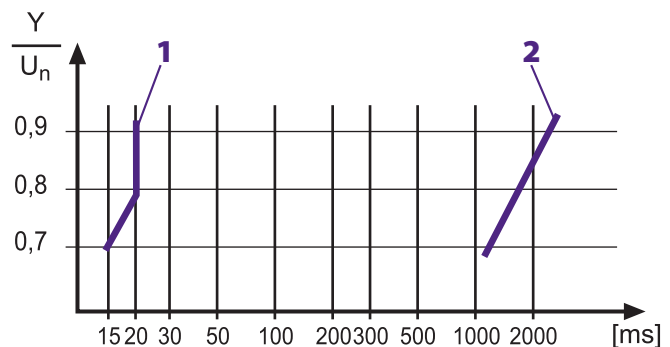


Response delay



- 1 - Change from U_n to 0 V (1 phase)
- 2 - Change from U_n to $0.5 \times U_n$ (1 phase)
- 3 - Change from U_n to $0.9 \times Y$ (1 phase)

Delay on release



- 1 - Change from 0 V to U_n (3 phases)
- 2 - Change from 0 V to U_n (1 phase)

Ordering information

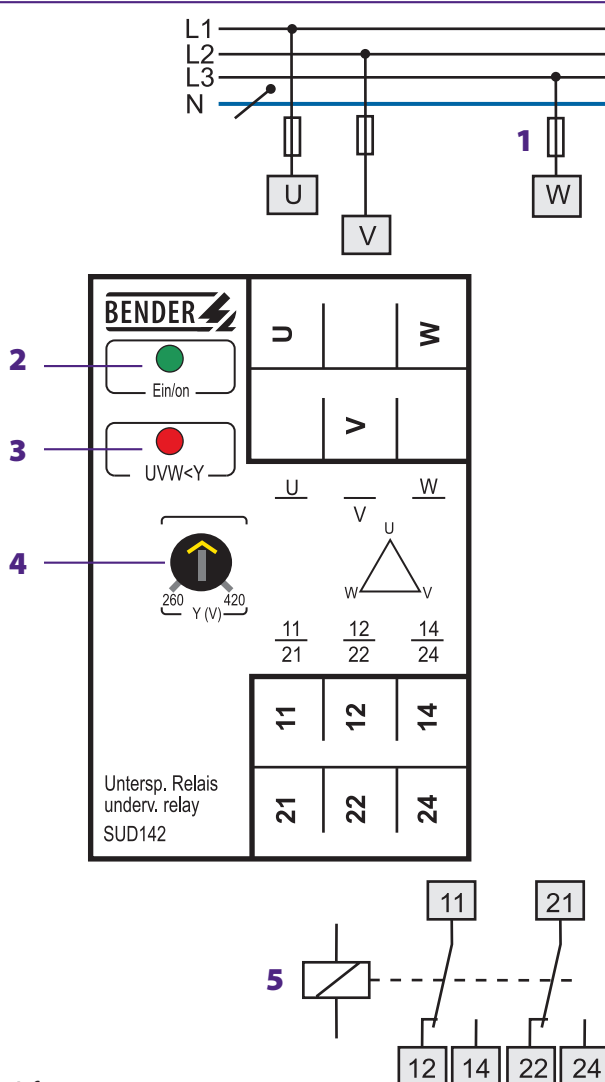
Type	Nominal system voltage U_n	Response value	Art. No.
SUD142	3AC 100...120 V	80...120 V	B 933 559
SUD142	3AC 200...240 V	140...220 V	B 933 558
SUD142	3AC 380...440 V	260...420 V	B 933 557

Accessories

Mounting rail for screw fixing	B 974 728
--------------------------------	-----------

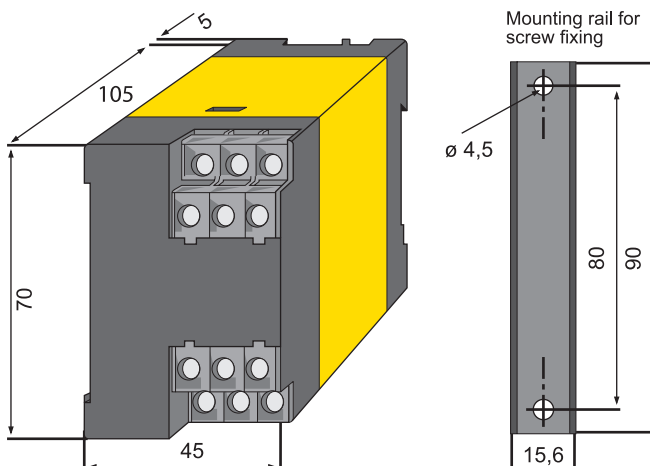


Wiring diagram



- 1 - 6 A fuse
- 2 - Power On LED "Ein/on"
- 3 - Alarm LED "UVW<Y"
- 4 - Adjustable response value "Y(V)"
- 5 - Alarm relay

Dimension diagram X140 Dimensions in mm



Technical data undervoltage relays SUD142

Insulation coordination acc. to IEC 60664-1

Rated insulation voltage	AC 440 V
Rated impulse voltage/pollution degree	2.5 kV/3

Supply voltage

Supply voltage U_s	none
Power consumption	≤ 3 VA

Measuring circuit

Nominal system voltage U_n	3AC 100...120 V 3AC 200...240 V 3AC 380...440 V
Operating range of U_n	0...1.15 x U_n
Frequency f_n	50...400 Hz
Response values	80...120 V 140...220 V 380...440 V
Response time t_{an}	see diagram
Hysteresis	approx. 5 %
Delay on release	see diagram
Repetition accuracy	± 1.5 %
Temperature influence	< 0.05 % / °C
Frequency influence	< 0.1 % / Hz

Switching elements

Number of changeover contacts	1 x 2
Operating principle	N/C operation
Electrical service life, number of cycles	12000
Contact class IEC 60255 Part 0-20	IIIB
Rated contact voltage	AC 250 V/DC 300 V
Limited making capacity	AC/DC 5 A
Breaking capacity	2 A, AC 230 V, cos phi 0.4 0.2 A, DC 220 V, L/R = 0.04 s

Environment / EMC

EMC immunity	acc. to IEC 61000-6-2
EMC emission	acc. to IEC 61000-6-4
Shock resistance IEC 60068-2-27 (during operation)	15 g/11 ms
Bumping IEC 60068-2-29 (during transport)	40 g/6 ms
Vibration resistance IEC 60068-2-6 (during operation)	1 g / 10...150 Hz
Vibration resistance IEC 60068-2-6 (during transport)	2 g / 10...150 Hz
Ambient temperature, during operation	-15...+50 °C
Ambient temperature, during storage	-20...+70 °C
Climatic class acc. to IEC 60721-3-3	3K5 (except condensation and formation of ice)

Other

Operating mode	continuous operation
Mounting	any position
Connection	Flat terminals with self-lifting clamp washers
Connection properties single wire/flexible	2 x (1...1.5) mm ² 2 x (0.75...1.5) mm ²
Degree of protection, internal components (IEC 60529)	IP50
Degree of protection, terminals/with terminal covers (IEC 60529)	IP10/IP20
Screw fixing	with mounting rail
DIN rail mounting acc. to	IEC 60715
Flammability class	UL94V-0
Product standard	IEC 60255-6
Operating manual	BP301005
Weight	≤ 300 g

3.1