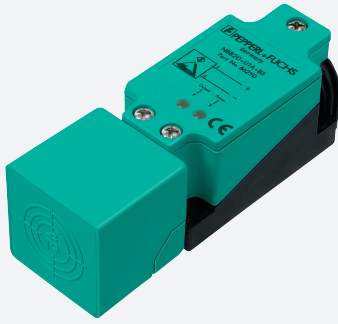


Inductive sensor

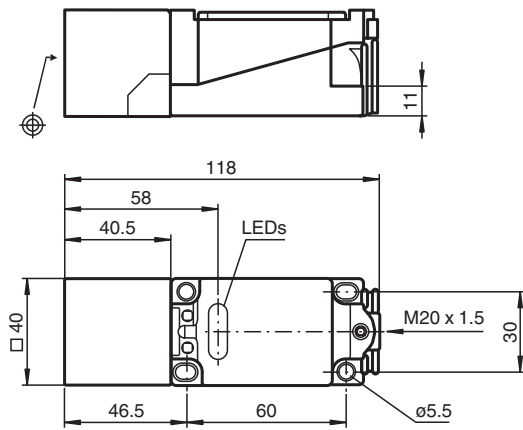
NJ30+U1+E2



- Comfort series
- 30 mm non-flush



Dimensions



Technical Data

General specifications

| | | |
|----------------------------|-------|-------------------------|
| Switching function | | Normally open (NO) |
| Output type | | PNP |
| Rated operating distance | s_n | 30 mm |
| Installation | | non-flush |
| Output polarity | | DC |
| Assured operating distance | s_a | 0 ... 24.3 mm |
| Actual operating distance | s_r | 27 ... 33 mm typ. 30 mm |
| Reduction factor r_{Al} | | 0.45 |
| Reduction factor r_{Cu} | | 0.4 |
| Reduction factor r_{304} | | 0.8 |
| Output type | | 3-wire |

Nominal ratings

| | | |
|-----------------------------|-------|----------------------------|
| Operating voltage | U_B | 10 ... 60 V |
| Switching frequency | f | 0 ... 100 Hz |
| Hysteresis | H | 1 ... 10 typ. 5 % |
| Reverse polarity protection | | reverse polarity protected |

Release date: 2020-12-10 Date of issue: 2020-12-10 Filename: 084522_eng.pdf

Refer to "General Notes Relating to Pepperl+Fuchs Product Information".

Pepperl+Fuchs Group
www.pepperl-fuchs.com

USA: +1 330 486 0001
fa-info@us.pepperl-fuchs.com

Germany: +49 621 776 1111
fa-info@de.pepperl-fuchs.com

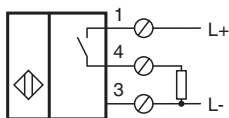
Singapore: +65 6779 9091
fa-info@sg.pepperl-fuchs.com

PEPPERL+FUCHS


Technical Data

| | | |
|---|-------|---|
| Short-circuit protection | | pulsing |
| Voltage drop | U_d | $\leq 2.8 \text{ V}$ |
| Voltage drop at I_L | | |
| Voltage drop $I_L = 1 \text{ mA}$, switching element on | U_d | 0.5 ... 2.3 V typ. 0.9 V |
| Voltage drop $I_L = 10 \text{ mA}$, switching element on | U_d | 0.8 ... 2.2 V typ. 1.4 V |
| Voltage drop $I_L = 20 \text{ mA}$, switching element on | U_d | 0.9 ... 2.3 V typ. 1.5 V |
| Voltage drop $I_L = 50 \text{ mA}$, switching element on | U_d | 0.9 ... 2.5 V typ. 1.6 V |
| Voltage drop $I_L = 100 \text{ mA}$, switching element on | U_d | 1 ... 2.6 V typ. 1.8 V |
| Voltage drop $I_L = 200 \text{ mA}$, switching element on | U_d | 1.2 ... 2.8 V typ. 2 V |
| Operating current | I_L | 0 ... 200 mA |
| Off-state current | I_r | 0 ... 0.5 mA typ. 0.01 mA |
| Off-state current $T_U = 40 \text{ }^\circ\text{C}$, switching element off | | $\leq 100 \text{ }\mu\text{A}$ |
| No-load supply current | I_0 | $\leq 10 \text{ mA}$ |
| Time delay before availability | t_v | $\leq 75 \text{ ms}$ |
| Operating voltage indicator | | LED, green |
| Switching state indicator | | LED, yellow |
| Compliance with standards and directives | | |
| Standard conformity | | |
| Standards | | EN 60947-5-2:2007 IEC 60947-5-2:2007 |
| Approvals and certificates | | |
| UL approval | | cULus Listed, General Purpose |
| CSA approval | | cCSAus Listed, General Purpose |
| CCC approval | | Certified by China Compulsory Certification (CCC) |
| Ambient conditions | | |
| Ambient temperature | | -25 ... 70 $^\circ\text{C}$ (-13 ... 158 $^\circ\text{F}$) |
| Storage temperature | | -25 ... 85 $^\circ\text{C}$ (-13 ... 185 $^\circ\text{F}$) |
| Mechanical specifications | | |
| Connection type | | screw terminals |
| Core cross-section | | up to 2.5 mm ² |
| Housing material | | PBT |
| Sensing face | | PBT |
| Degree of protection | | IP68 |

Connection



Accessories

| | | |
|---|---------------|--------------------------|
|  | MHW 01 | Modular mounting bracket |
|---|---------------|--------------------------|