



Model Number

CCN15-30GS60-E2

Features

- 15 mm non-flush
- Operating distance adjustable via potentiometer
- High EMC resistance
- Stainless steel version
- Operating voltage range 10 V ... 60 V DC

Accessories

BF 30
Mounting flange, 30 mm

Technical Data

General specifications

Switching element function		PNP	NO
Rated operating distance	s_n	15 mm	
Installation		non-flush	
Output polarity		DC	
Assured operating distance	s_a	0 ... 12.1 mm	

Nominal ratings

Installation conditions			
A		18 mm	
B		10 mm	
C		30 mm	
F		60 mm	
Operating voltage	U_B	10 ... 60 V DC	
Switching frequency	f	0 ... 10 Hz	
Reverse polarity protection		reverse polarity protected	
Short-circuit protection		pulsing	
Voltage drop	U_d	≤ 2.8 V	
Operating current	I_L	0 ... 200 mA	
Off-state current	I_r	0 ... 0.5 mA typ. 0.1 μ A at 25 °C	
		Off-state current $T_U = 40$ °C, switching element off	≤ 100 μ A
No-load supply current	I_0	≤ 20 mA	
Time delay before availability	t_v	≤ 50 ms	
Switching state indicator		LED, yellow	

Functional safety related parameters

MTTF _d	750 a
Mission Time (T_M)	20 a
Diagnostic Coverage (DC)	0 %

Indicators/operating means

Potentiometer	sensitivity adjustment
---------------	------------------------

Ambient conditions

Ambient temperature	-25 ... 70 °C (-13 ... 158 °F)
Storage temperature	-40 ... 85 °C (-40 ... 185 °F)

Mechanical specifications

Connection type	cable PVC, 2 m
Core cross-section	0.75 mm ²
Housing material	Stainless steel 1.4305 / AISI 303
Sensing face	PBT
Degree of protection	IP67

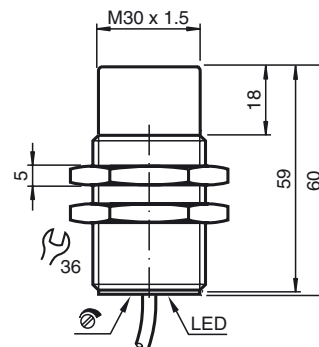
Compliance with standards and directives

Standard conformity	
Standards	EN 60947-5-2:2007 IEC 60947-5-2:2007

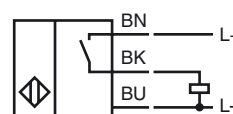
Approvals and certificates

UL approval	cULus Listed, General Purpose
CSA approval	cCSAus Listed, General Purpose
CCC approval	Certified by China Compulsory Certification (CCC)

Dimensions



Electrical Connection



Installation Conditions

