

## ACCELEROMETER TRANSDUCER

# TA-8 TA-28

The TA-8, TA-28 transducers seismically measure absolute machine vibrations by directly fastening the vibrating part on the supports. They provide an output signal directly proportional to the vibration of the point on which they are fastened. This signal can subsequently be processed by a measuring channel of a CEMB "T" or "N" series device.

The TA-8, TA-28 transducers exploit the piezoelectric effect, i.e. the capability of a material to provide a difference of potential when mechanically stressed. In this application, a ceramic material subjected to acceleration generates an electrical signal proportional to the stress



TECHNICAL CHARACTERISTICS	TA-8	TA-28
<b>GENERAL</b>		
Type of measurement	■ seismic (absolute vibration) piezoelectric	■ seismic (absolute vibration) piezoelectric
Sensitivity	■ 10 mV/g	■ 500 mV/g
Response in frequency	■ ± 3 dB 0,5 ÷ 15000 Hz ■ ± 10 % 2 ÷ 10000 Hz	■ ± 3 dB 0,5 ÷ 15000 Hz ■ ± 10 % 2 ÷ 10000 Hz
Vibration direction	■ any	■ any
Dynamic range	■ ± 500 g pk	■ ± 10 g pk
Transverse sensitivity	■ < 5 %	■ < 5 %
<b>ELECTRICAL</b>		
Power supply	■ 2÷10 mA - 18÷30 Vdc	■ 2÷10 mA - 18÷30 Vdc
Output polarization voltage	■ 10-14 Vdc	■ 10-14 Vdc
Output impedance	■ < 100 ohm	■ < 100 ohm
Outer casing insulation	■ > 10 <sup>8</sup> ohm	■ > 10 <sup>8</sup> ohm
Settling time	■ < 2 sec.	■ < 5 sec.
<b>AMBIENT</b>		
Temperature range	■ -50°C ÷ +121°C	■ -50°C ÷ +121°C
Protection against shocks	■ 5000 g pk	■ 5000 g pk
Electromagnetic sensitivity	■ CE	■ CE
Protection against external agents	■ IP68	■ IP68
<b>PHYSICAL</b>		
Weight	■ 90 g	■ 95 g
Resonance frequency	■ 23 kHz	■ 16 kHz
Outer casing material	■ AISI 316-L stainless steel	■ AISI 316-L stainless steel
Retaining screw threading	■ see "dimensions and threads"	■ see "dimensions and threads"
Connection	■ 2 pin MIL-C-5015 connector provided	■ 2 pin MIL-C-5015 connector provided
Tightening torque	■ da 2,7 a 6,8 Nm	■ da 2,7 a 6,8 Nm

# TA-8 TA-28

## INFORMATION FOR THE ORDER:

A  
TA-8 /

### A: RETAINING SCREW

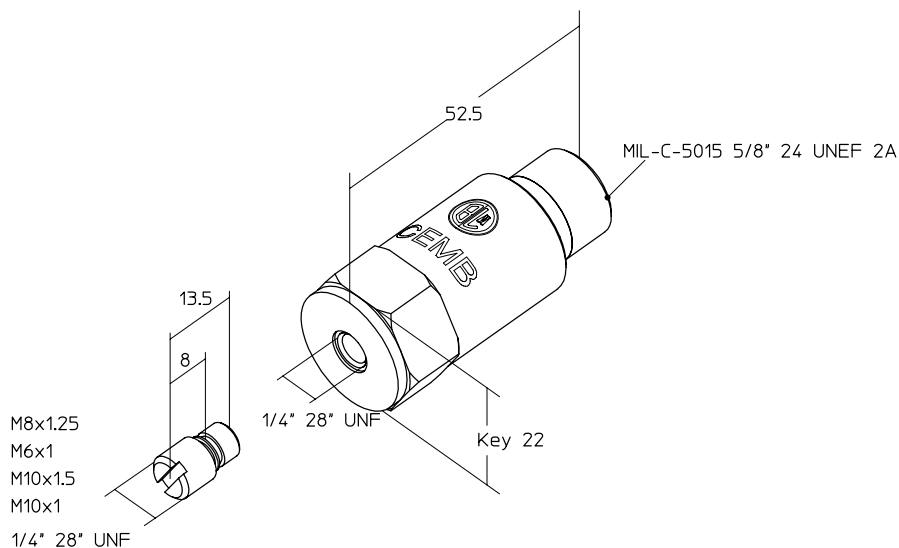
0	1/4" - 28 UNF
1	M8 X 1,25
2	M6 X 1
3	M10 X 1,5
4	M10 X 1
9	MULTI THREAD KIT (1/4"-28 UNF - M8X1.25 - M6X1 - M10X1,5)

A  
TA-28 /

### A: RETAINING SCREW

0	1/4" - 28 UNF
1	M8 X 1,25
2	M6 X 1
3	M10 X 1,5
4	M10 X 1

## DIMENSIONS AND THREADS



## CABLES AND OPTIONAL ACCESSORIES

### CABLES:



**SHIELDED CABLE 2X1 STANDARD** 80419-P  
CBL / TA-28 / S / 0 / XX (length in meters)



**SHIELDED CABLE ARMoured IN ETFE** 87SEA7952  
CBL / TA-28 / E / 0 / XX (length in meters)



**SHIELDED CABLE 2X1 WITH METAL JACKET COVERED BY PVC** 95743-P  
CBL / TA-28 / A / 0 / XX (length in meters)

### ONLY CONNECTORS:

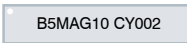


**2 PINS STRAIGHT (standard)** 597023104



**2 PINS 90°** 597023108 + 59070352

### TAGS:



**PLASTIC TAG** 040STR000



**STAINLESS STEEL TAG** 980710835



**CEMB S.p.A.**  
Via Risorgimento, 9  
23826 MANDELLO DEL LARIO (LC) Italy  
www.cemb.com

**Vibration analysis division:**  
phone +39 0341 706111  
fax +39 0341 706299  
e-mail: stm@cemb.com



Address: Unit 6, No. 52, Jouybar St.  
Tehran - 1415795361, IRAN  
Tel: +98-21-88996358-60 Fax: +98-21-88992367  
www.cemb-iran.com  
info@cemb-iran.com

All the data and characteristics mentioned in this catalogue are by way of example and not binding. CEMB S.p.A. reserves the right to make any changes it sees fit without prior notice.