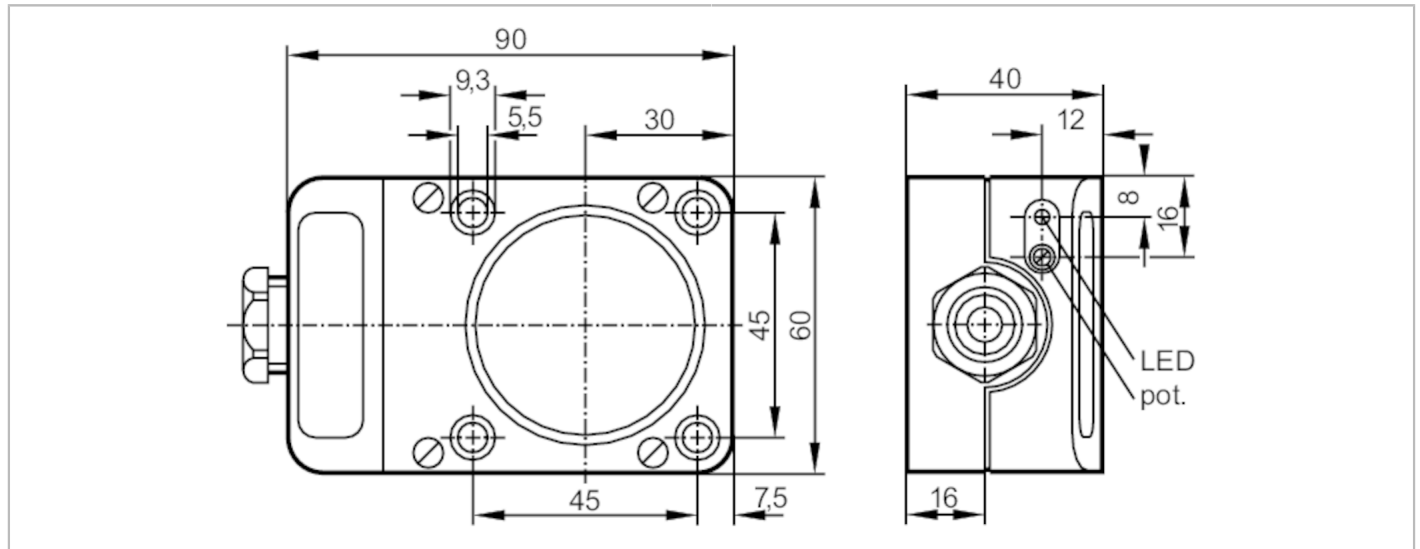


IC0003



Inductive sensor

ICE2040-FBOA



Product characteristics

Output function		normally open / closed; (selectable)
Sensing range	[mm]	40
Housing		rectangular
Dimensions	[mm]	90 x 60 x 40

Electrical data

Operating voltage	[V]	20...250 AC/DC
Protection class		II
Reverse polarity protection		no

Outputs

Output function		normally open / closed; (selectable)
Max. voltage drop switching output DC	[V]	6
Max. voltage drop switching output AC	[V]	6.5
Minimum load current	[mA]	5
Max. leakage current	[mA]	2.5 (250 V AC) / 1.3 (110 V AC) / 0.8 (24 V DC)
Permanent current rating of switching output AC	[mA]	250; (350 (...50 °C))
Permanent current rating of switching output DC	[mA]	100
Short-time current rating of switching output	[mA]	2200; (20 ms / 0,5 Hz)
Switching frequency AC	[Hz]	10
Switching frequency DC	[Hz]	10
Short-circuit proof		no
Overload protection		no

Monitoring range

Sensing range	[mm]	40
Sensing range adjustable		yes

IC0003



Inductive sensor

ICE2040-FBOA

Factory setting sensing range [mm]	40
Real sensing range Sr [mm]	40 ± 10 %
Operating distance [mm]	0...32.4

Accuracy / deviations

Correction factor	steel: 1 / stainless steel: 0.7 / brass: 0.4 / aluminum: 0.3 / copper: 0.2
Hysteresis [% of Sr]	1...15
Switch-point drift [% of Sr]	-10...10

Operating conditions

Ambient temperature [°C]	-25...80
Protection	IP 65

Tests / approvals

EMC	EN 60947-5-2	
	EN 55011	class B
MTTF [years]	496	
UL approval	Ta	0...40 °C
	Enclosure type	Type 1
	voltage supply	Hazardous voltage
	File number UL	E174191

Mechanical data

Weight [g]	270
Housing	rectangular
Mounting	non-flush mountable
Dimensions [mm]	90 x 60 x 40
Material	PPE

Displays / operating elements

Display	Switching status	1 x LED, yellow
---------	------------------	-----------------

Electrical connection

Required protection	miniature fuse to IEC60127-2 sheet 1; ≤ 2 A; fast acting
---------------------	--

Accessories

Items supplied	screwdriver: 1
	spring washers: 4
	cylinder screws: 4 x M5 x 35

Remarks

Remarks	Recommendation: check the unit for reliable function after a short circuit.
Pack quantity	1 pcs.

IC0003



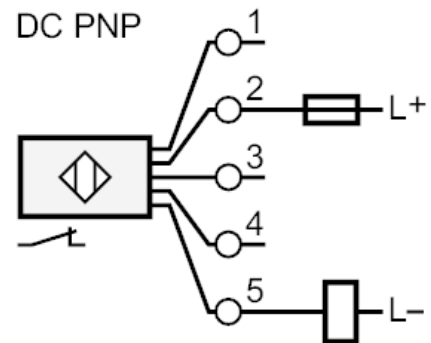
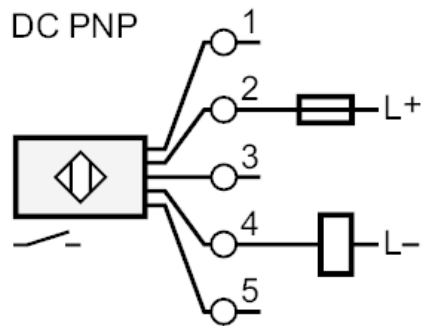
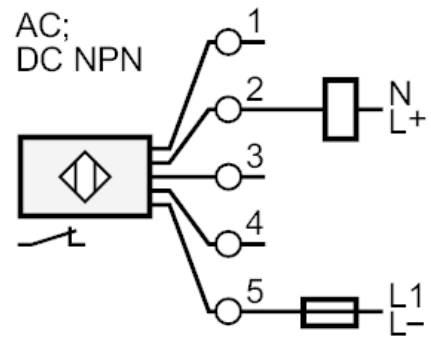
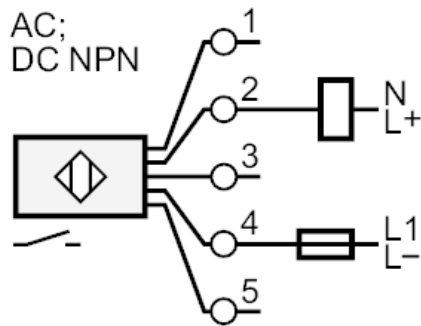
Inductive sensor

ICE2040-FBOA

Electrical connection

terminals: ...2.5 mm²; Cable sheath: Ø 7...13 mm; Cable gland: M20 X 1.5

Connection



Note miniature fuse to IEC60127-2 sheet 1 ≤ 2 A fast acting