



Switch Amplifier

HiC2832

- 2-channel isolated barrier
- 24 V DC supply (bus powered)
- Dry contact or NAMUR inputs
- 2 passive transistor outputs (resistive acc. to EN 60947-5-6)
- Line fault detection (LFD)
- Line fault transparency (LFT)
- Reversible mode of operation
- SIL 2 (SC 3) acc. to IEC/EN 61508



Function

This isolated barrier is used for intrinsic safety applications.

The device transfers digital signals (NAMUR sensors/mechanical contacts) from the explosion-hazardous area to the non-explosion-hazardous area.

Each input controls a passive transistor output with a resistive output characteristic (acc. to EN60947-5-6).

The outputs have three defined states: 1-signal = 1.8 kΩ, 0-signal = 14 kΩ and fault > 100 kΩ.

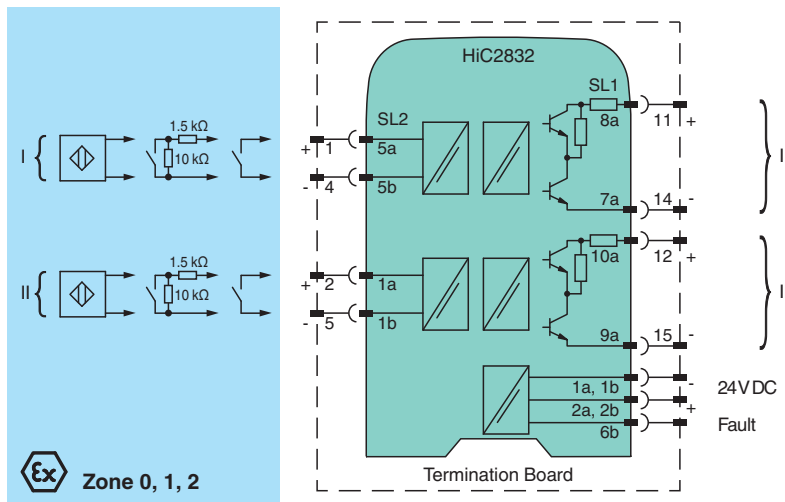
This output characteristic offers line fault transparency on the signal lines.

Via switches the mode of operation can be reversed and the line fault detection can be switched off.

During a fault state, the passive transistor outputs switch to their fault state and LEDs indicate the fault according to NAMUR NE 44. A separate fault bus is available. This fault bus can be monitored if the termination board supports a module fault detection.

This device mounts on a HiC termination board.

Connection



Ex Zone 0, 1, 2

Zone 2

Technical Data

General specifications	
Signal type	Digital Input
Functional safety related parameters	
Safety Integrity Level (SIL)	SIL 2
Systematic capability (SC)	SC 3
Supply	
Connection	SL1: 1a(-), 1b(-); 2a(+), 2b(+)
Rated voltage	U _r 19 ... 30 V DC bus powered via Termination Board

Release date: 2022-07-15 Date of issue: 2022-07-15 Filename: 226429_eng.pdf

Refer to "General Notes Relating to Pepperl+Fuchs Product Information".

Pepperl+Fuchs Group
www.pepperl-fuchs.com

USA: +1 330 486 0002
pa-info@us.pepperl-fuchs.com

Germany: +49 621 776 2222
pa-info@de.pepperl-fuchs.com

Singapore: +65 6779 9091
pa-info@sg.pepperl-fuchs.com

PEPPERL+FUCHS

Technical Data

Ripple		≤ 10 %
Rated current	I_r	≤ 30 mA
Power dissipation		≤ 600 mW
Power consumption		≤ 700 mW
Input		
Connection side		field side
Connection		SL2: 5a(+), 5b(-); 1a(+), 1b(-)
Rated values		acc. to EN 60947-5-6 (NAMUR), see manual for electrical data
Open circuit voltage/short-circuit current		approx. 10 V DC / approx. 8 mA
Switching point/switching hysteresis		1.2 ... 2.1 mA / approx. 0.2 mA
Line fault detection		breakage $I \leq 0.1$ mA , short-circuit $I \geq 6.5$ mA
Pulse/Pause ratio		min. 100 μ s / min. 100 μ s
Output		
Connection side		control side
Connection		SL1: 8a(+), 7a(-); 10a(+), 9a(-)
Rated voltage	U_r	8 V DC
Response time		≤ 200 μ s
Output I, II		signal or fault message, passive transistor output (resistive) 0-signal: 14 k Ω \pm 10 % 1-signal: 1.8 k Ω \pm 10 % fault: > 100 k Ω
Fault indication output		
Connection		SL1: 6b
Output type		open collector transistor (internal fault bus)
Transfer characteristics		
Switching frequency		≤ 5 kHz
Galvanic isolation		
Output/power supply		basic insulation according to IEC/EN 61010-1, rated insulation voltage 60 V _{eff}
Output/Output		basic insulation according to IEC/EN 61010-1, rated insulation voltage 60 V _{eff}
Indicators/settings		
Display elements		LEDs
Control elements		DIP switch
Configuration		via DIP switches
Labeling		space for labeling at the front
Directive conformity		
Electromagnetic compatibility		
Directive 2014/30/EU		EN 61326-1:2013 (industrial locations)
Conformity		
Electromagnetic compatibility		EN IEC 61326-3-2:2018 , NE 21:2017 For further information see system description.
Degree of protection		IEC 60529:2001
Protection against electrical shock		IEC 61010-1
Ambient conditions		
Ambient temperature		-40 ... 70 °C (-40 ... 158 °F)
Mechanical specifications		
Degree of protection		IP20
Mass		approx. 100 g
Dimensions		12.5 x 106 x 128 mm (0.5 x 4.2 x 5.1 inch) (W x H x D)
Mounting		on termination board
Coding		pin 1 and 2 trimmed For further information see system description.
Data for application in connection with hazardous areas		
EU-type examination certificate		BVS 11 ATEX E 026
Marking		Ⓜ II (1)G [Ex ia Ga] IIC Ⓜ II (1)D [Ex ia Da] IIIC Ⓜ I (M1) [Ex ia Ma] I

Release date: 2022-07-15 Date of issue: 2022-07-15 Filename: 226429_eng.pdf

Refer to "General Notes Relating to Pepperl+Fuchs Product Information".

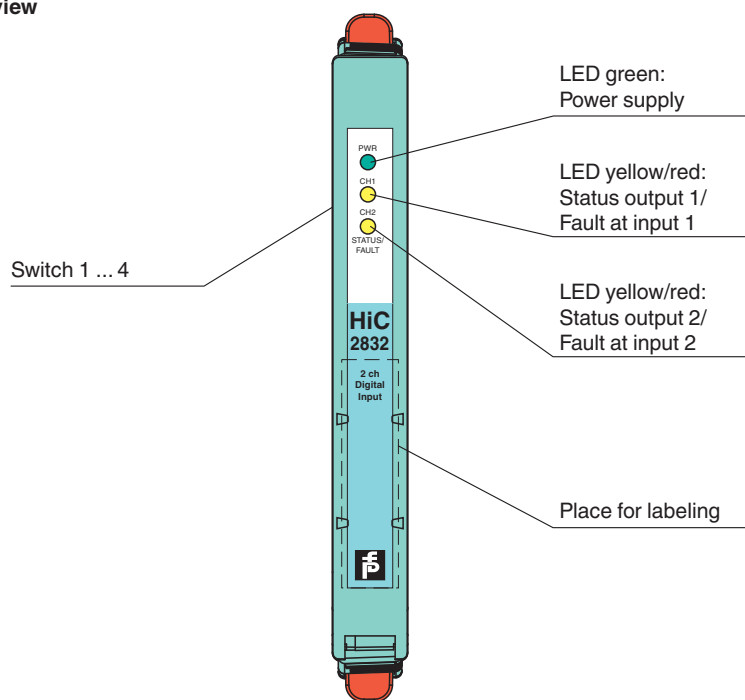
Pepperl+Fuchs Group
www.pepperl-fuchs.comUSA: +1 330 486 0002
pa-info@us.pepperl-fuchs.comGermany: +49 621 776 2222
pa-info@de.pepperl-fuchs.comSingapore: +65 6779 9091
pa-info@sg.pepperl-fuchs.com
 PEPPERL+FUCHS

Technical Data

Input		Ex ia	
Voltage	U _o	10.5 V	
Current	I _o	17.1 mA	
Power	P _o	45 mW (linear characteristic)	
Supply			
Maximum safe voltage	U _m	253 V AC (Attention! U _m is no rated voltage.)	
Output			
Maximum safe voltage	U _m	253 V AC (Attention! U _m is no rated voltage.)	
Certificate			
KIWA 15 ATEX 0037 X			
Marking			
Ⓜ II 3G Ex ec IIC T4 Gc			
Galvanic isolation			
Input/Output	safe electrical isolation acc. to IEC/EN 60079-11, voltage peak value 375 V		
Input/power supply	safe electrical isolation acc. to IEC/EN 60079-11, voltage peak value 375 V		
Directive conformity			
Directive 2014/34/EU	EN IEC 60079-0:2018+AC:2020 , EN 60079-11:2012 , EN 60079-7:2015+A1:2018 , EN 50303:2000		
International approvals			
FM approval			
Control drawing	116-0430 (cFMus)		
UL approval			
Control drawing	E106378		
IECEX approval			
IECEX certificate	IECEX BVS 11.0040 IECEX KIWA 15.0019X		
IECEX marking	[Ex ia Ga] IIC , [Ex ia Da] IIIC , [Ex ia Ma] I , Ex ec IIC T4 Gc		
General information			
Supplementary information	Observe the certificates, declarations of conformity, instruction manuals, and manuals where applicable. For information see www.pepperl-fuchs.com .		

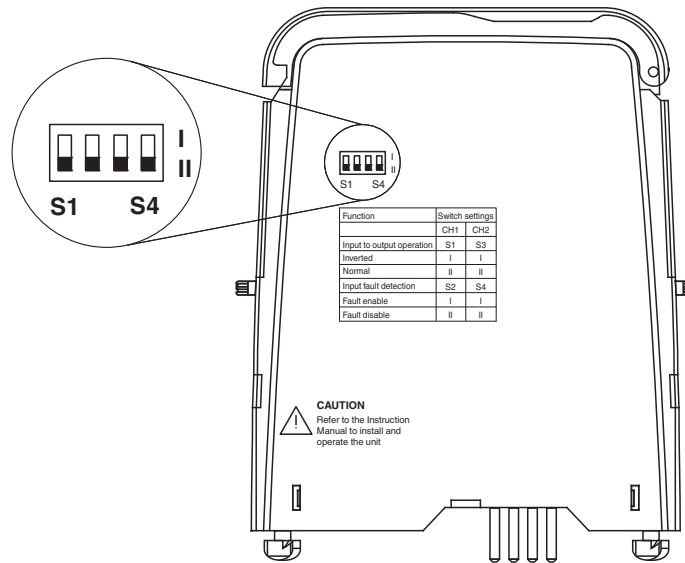
Assembly

Front view



Release date: 2022-07-15 Date of issue: 2022-07-15 Filename: 226429_eng.pdf

Configuration



Switch settings

S	Channel	Function	Position	
1	I	Mode of operation	Inverted	I
			Normal	II
2	I	Input line fault detection	ON	I
			OFF	II
3	II	Mode of operation	Inverted	I
			Normal	II
4	II	Input line fault detection	ON	I
			OFF	II

Configuration

Configure the device in the following way:

- Push the red Quick Lok Bars on each side of the device in the upper position.
- Remove the device from Termination Board.
- Set the DIP switches according to the figure.



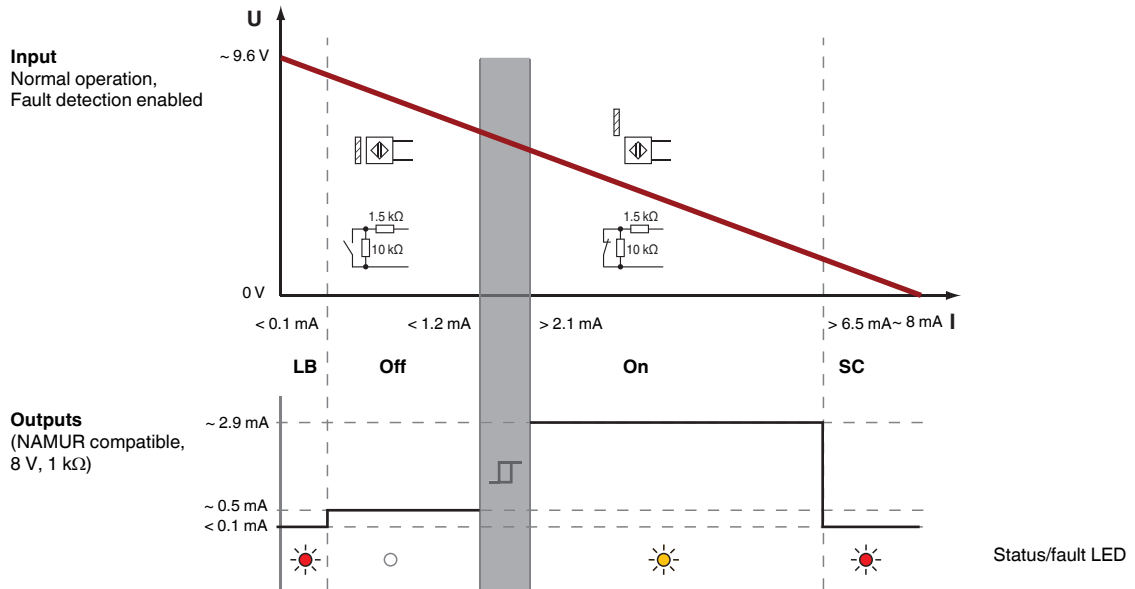
The pins for this device are trimmed to polarize it according to its safety parameter. Do not change! For further information see system description.

Characteristic Curve

Switching points

Release date: 2022-07-15 Date of issue: 2022-07-15 Filename: 226429_eng.pdf

Refer to "General Notes Relating to Pepperl+Fuchs Product Information".



Release date: 2022-07-15 Date of issue: 2022-07-15 Filename: 226429_eng.pdf